



US00D959494S

(12) **United States Design Patent**
Mildh

(10) **Patent No.:** **US D959,494 S**

(45) **Date of Patent:** **** Aug. 2, 2022**

(54) **OIL CAP**

(71) Applicant: **Andre Mildh**, San Diego, CA (US)

(72) Inventor: **Andre Mildh**, San Diego, CA (US)

(**) Term: **15 Years**

(21) Appl. No.: **29/771,874**

(22) Filed: **Feb. 25, 2021**

Related U.S. Application Data

(63) Continuation-in-part of application No. 29/686,249, filed on Apr. 3, 2019, now Pat. No. Des. 913,333.

(51) **LOC (13) Cl.** **15-01**

(52) **U.S. Cl.**
USPC **D15/5**

(58) **Field of Classification Search**
USPC D15/5; D23/259, 260, 261, 262, 263,
D23/264, 265; D9/453; D12/197
CPC ... B67D 7/565; G01F 23/56; Y10T 137/7287;
F01M 13/00; F01M 13/0011; F01M
2013/0077; F01M 2011/0491
See application file for complete search history.

(56) **References Cited**

U.S. PATENT DOCUMENTS

D655,310 S * 3/2012 Tiefenthaler D15/5
9,193,260 B2 * 11/2015 Sotiriades B60K 15/0406

D913,333 S * 3/2021 Mildh D15/5
2006/0016436 A1 * 1/2006 Groom F02M 25/08
123/520
2013/0276742 A1 * 10/2013 Mallett F01M 7/00
123/196 R

OTHER PUBLICATIONS

L7 Performance Instagram Post from Mar. 22, 2020 (Year: 2020).
L7 Performance Instagram Post from Feb. 21, 2020 (Year: 2020).*

* cited by examiner

Primary Examiner — Ania Aman

(74) *Attorney, Agent, or Firm* — Buche & Associates,
P.C.; John K. Buche; Bryce A. Johnson

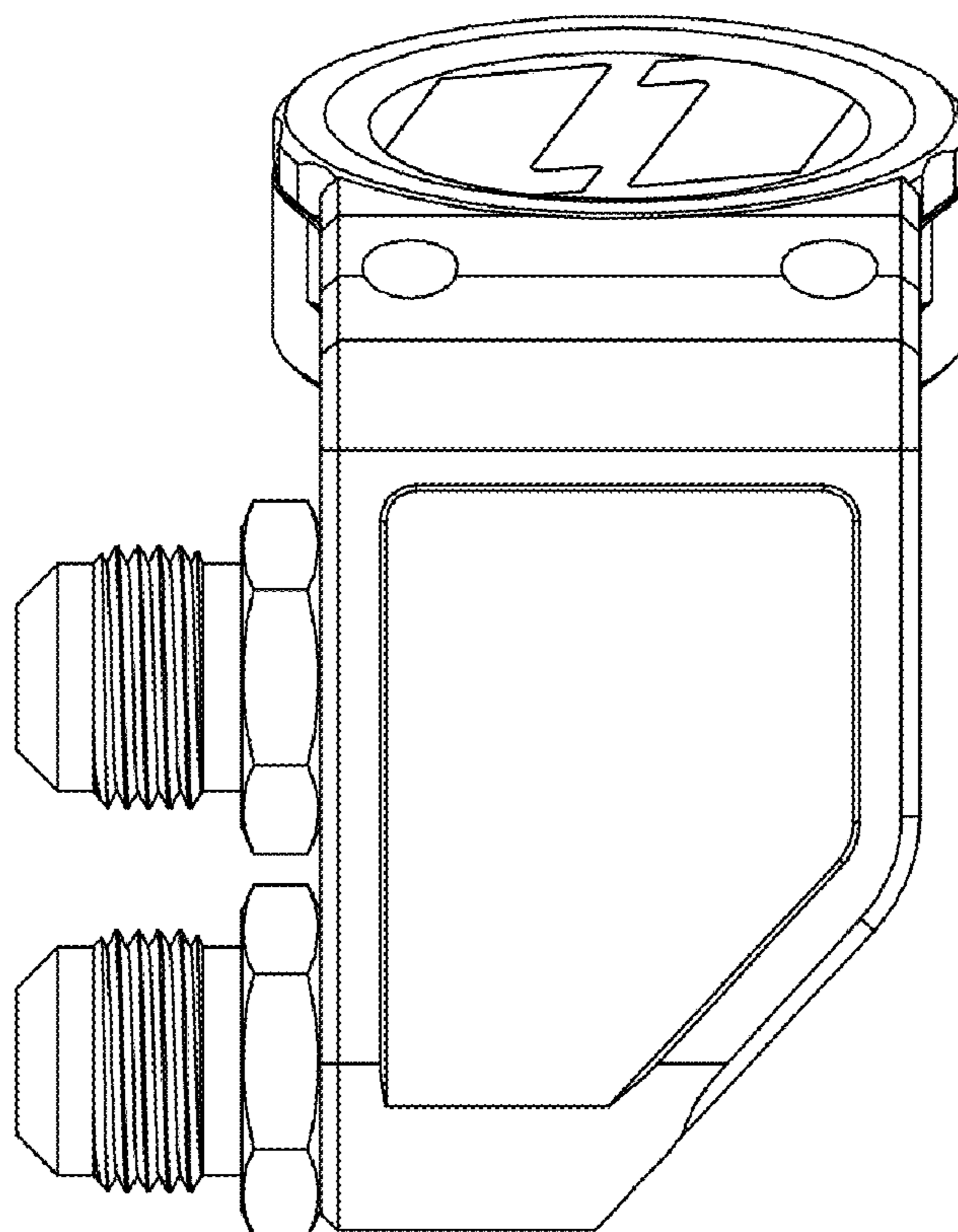
(57) **CLAIM**

I claim the ornamental design for a “oil cap”, as shown and described.

DESCRIPTION

FIG. 1 is a front view of an oil cap;
FIG. 2 is a left side view of the oil cap;
FIG. 3 is a right-side view of the oil cap;
FIG. 4 is a top view of the oil cap;
FIG. 5 is a bottom view of the oil cap;
FIG. 6 is an environmental perspective view of the oil cap shown in use; and,
FIG. 7 is an exploded view of the oil cap.
In the drawings, the broken lines depict environmental subject matter only and form no part of the claimed design.

1 Claim, 4 Drawing Sheets



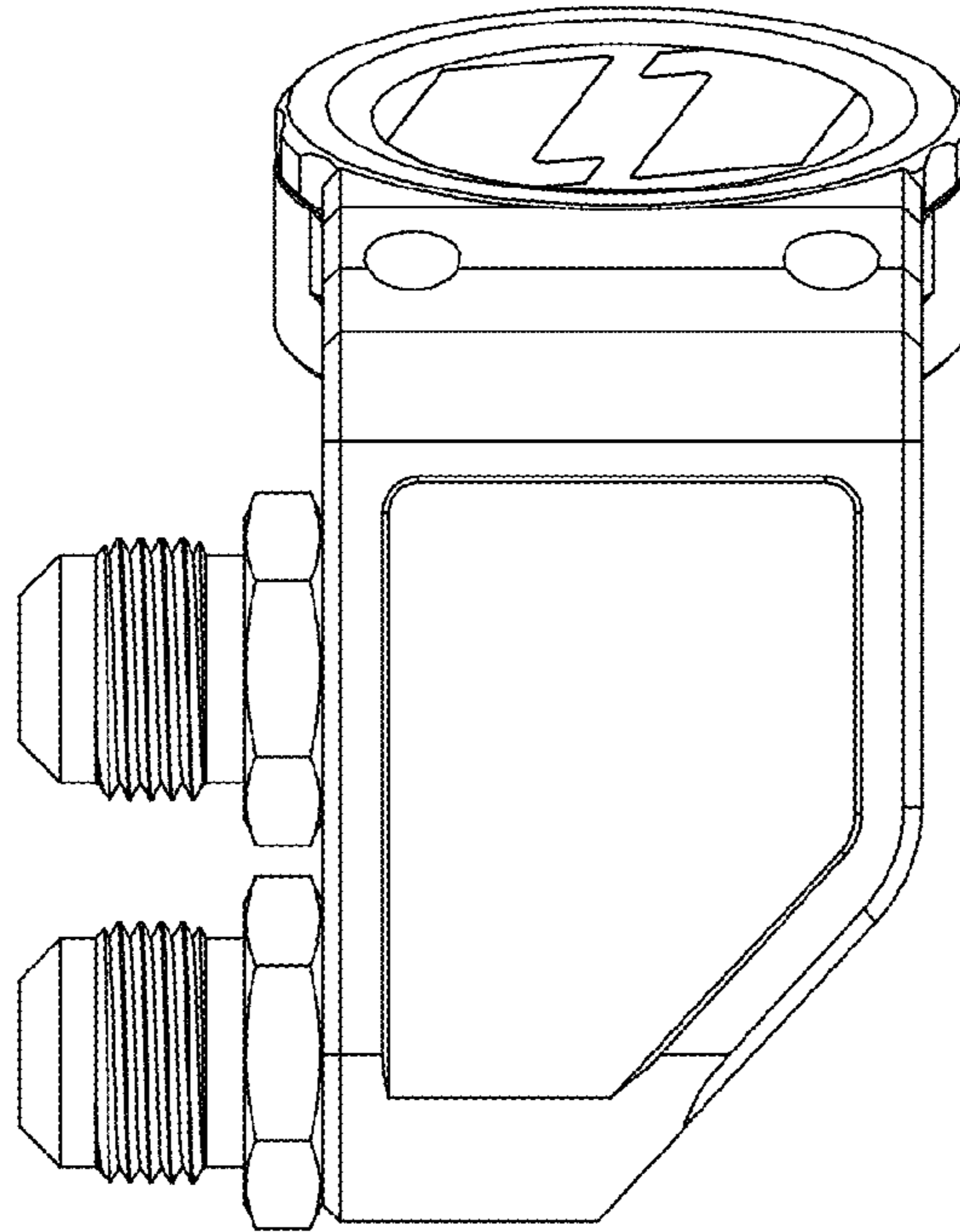


FIG. 1

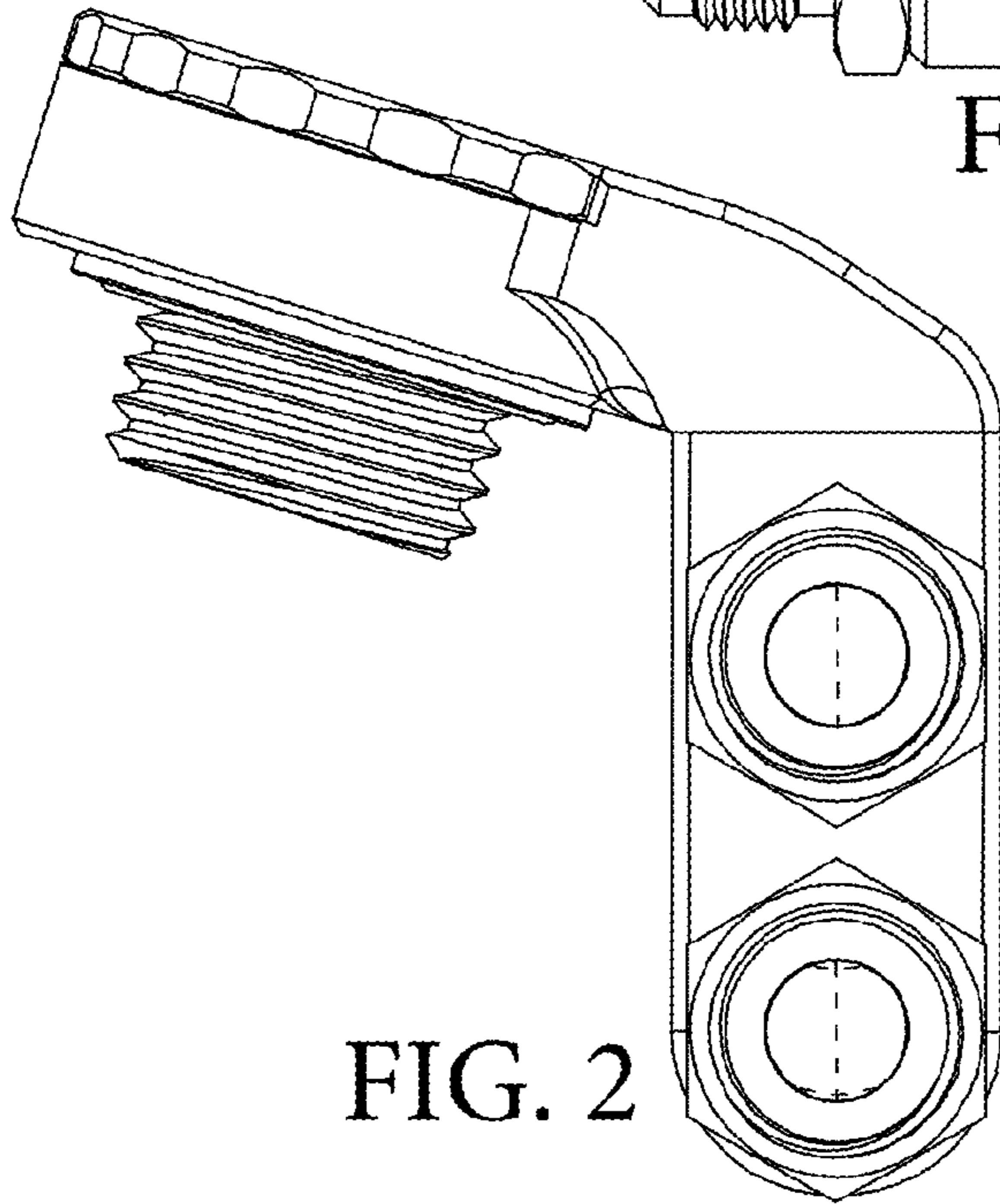


FIG. 2

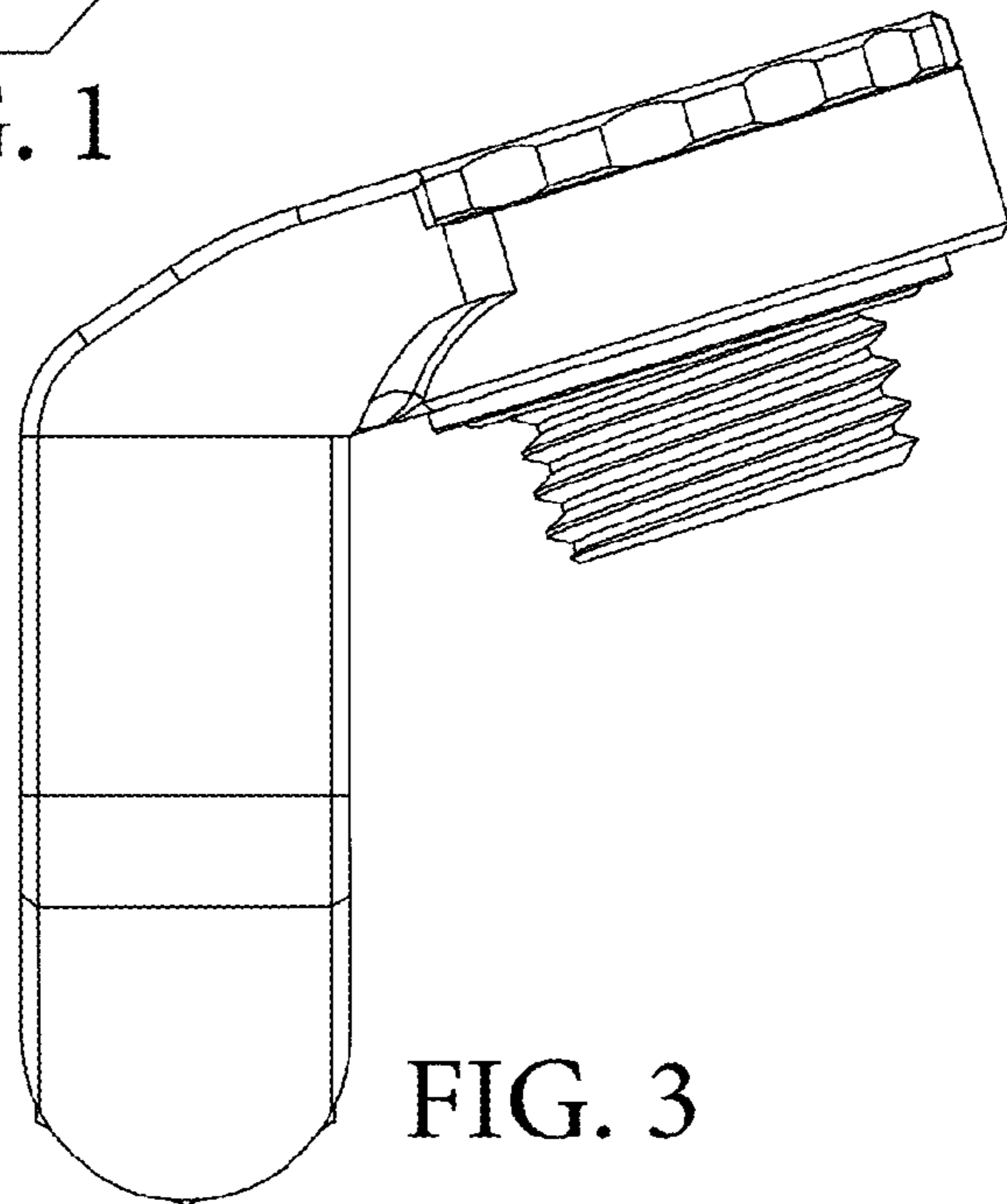


FIG. 3

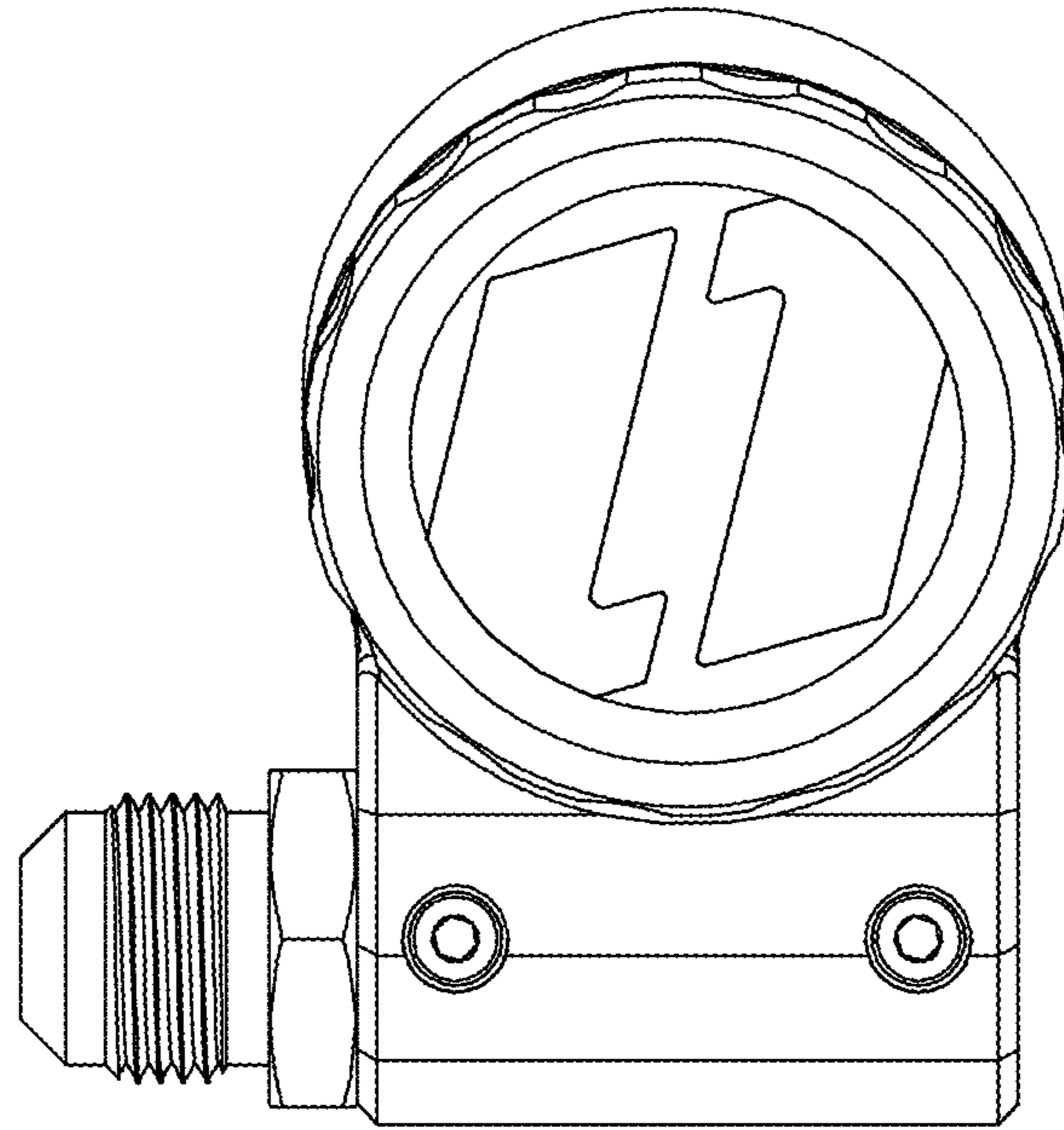


FIG. 4

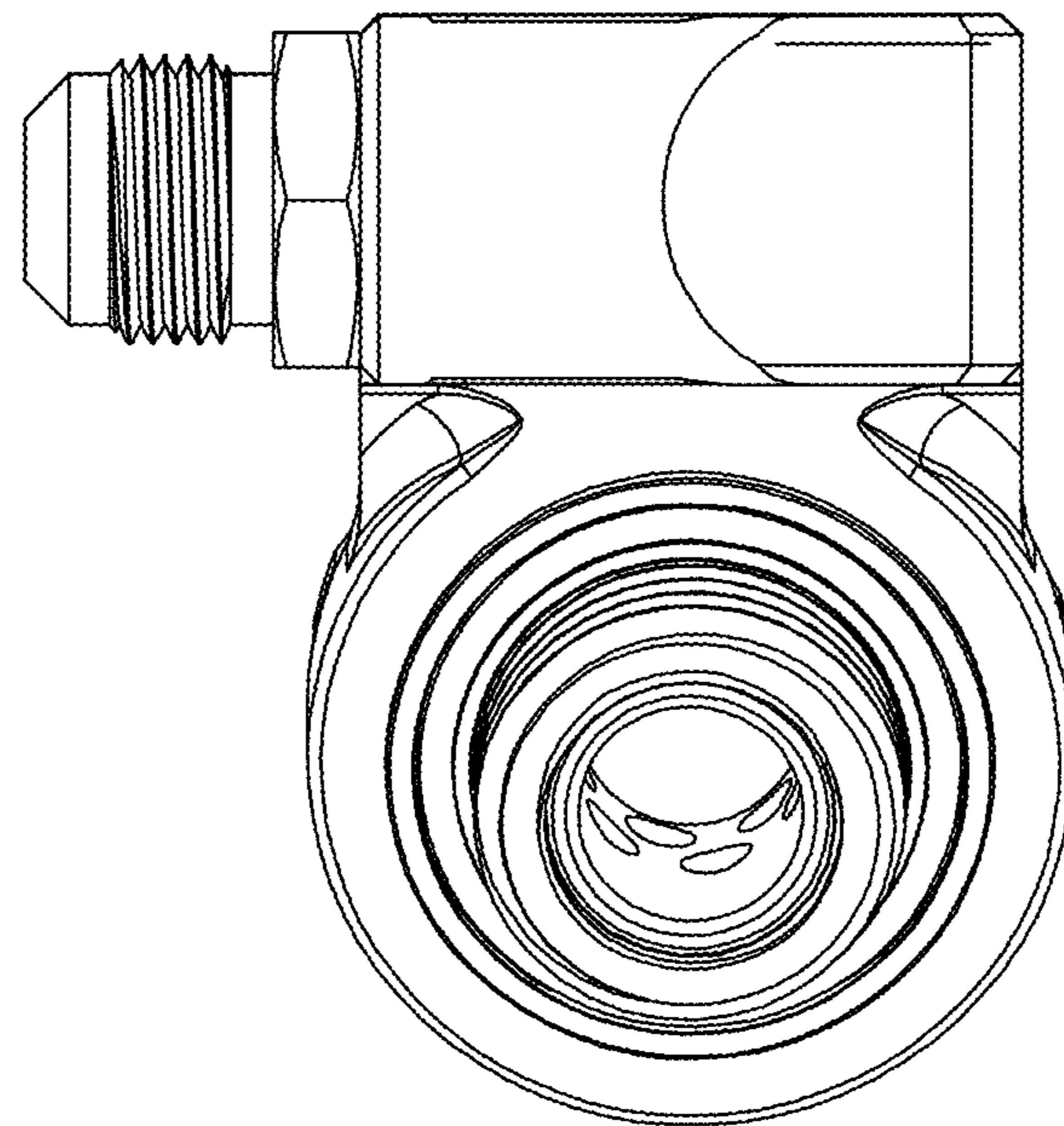


FIG. 5

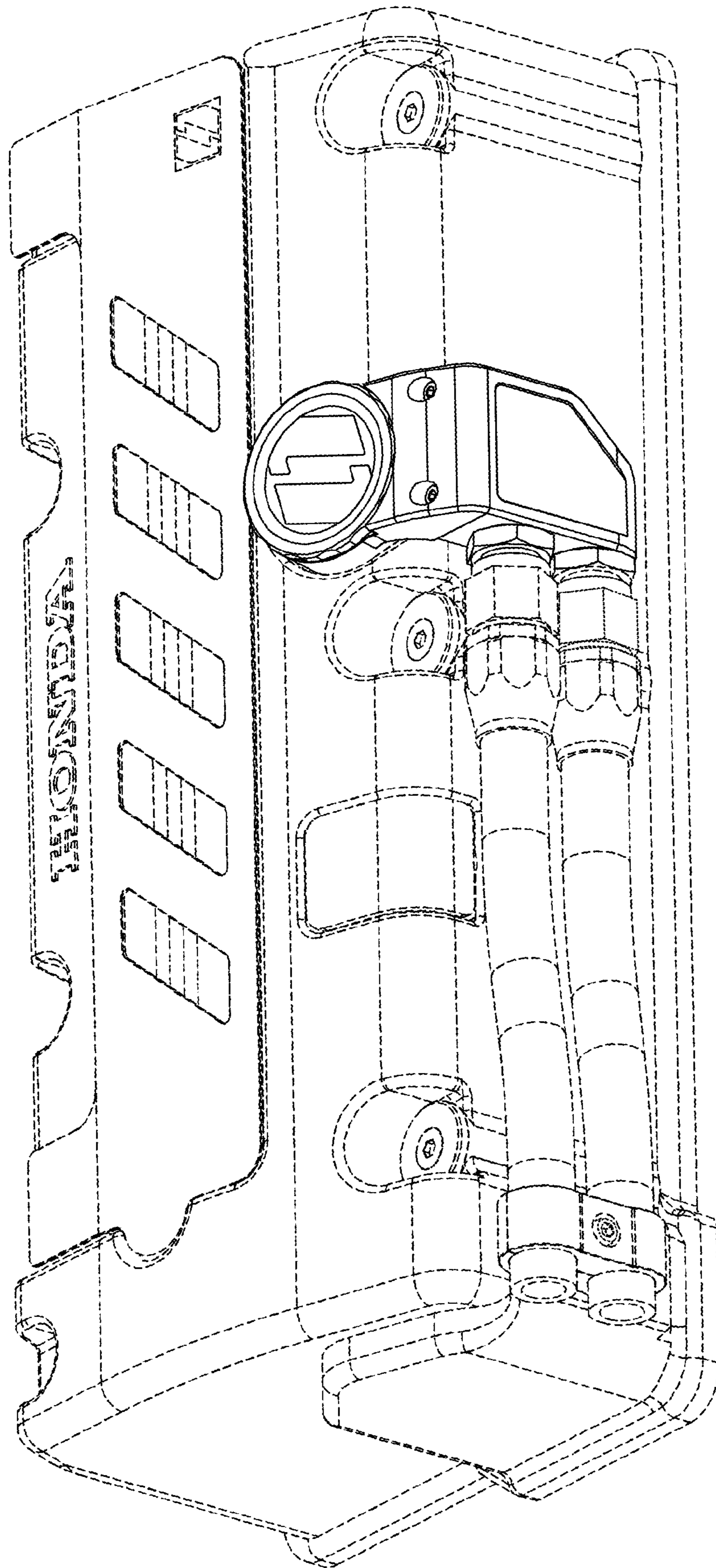


FIG. 6

