

US00D959450S

(12) **United States Design Patent** (10) **Patent No.:** **US D959,450 S**
Nahavandi et al. (45) **Date of Patent:** **** Aug. 2, 2022**

(54) **DISPLAY SCREEN WITH AN ANIMATED GRAPHICAL USER INTERFACE**

(71) Applicant: **Stryker Corporation**, Kalamazoo, MI (US)

(72) Inventors: **Kurosh Nahavandi**, Portage, MI (US);
Ian Christopher Geiman, South Lyon, MI (US)

(73) Assignee: **Stryker Corporation**, Kalamazoo, MI (US)

(**) Term: **15 Years**

(21) Appl. No.: **29/735,172**

(22) Filed: **May 19, 2020**

(51) **LOC (13) Cl.** **14-04**

(52) **U.S. Cl.**

USPC **D14/485**

(58) **Field of Classification Search**

USPC D14/485-495

CPC G06F 3/048; G06F 3/0481; G06F 3/04812;
G06F 3/04815; G06F 3/04817; G06F
3/0482; G06F 3/0483; G06F 3/0484;
G06F 3/04842; G06F 3/04845; G06F
3/04847;

(Continued)

(56) **References Cited**

U.S. PATENT DOCUMENTS

D676,457 S 2/2013 Frost et al.

8,397,326 B2 3/2013 Lafleche et al.

(Continued)

FOREIGN PATENT DOCUMENTS

EP 2505175 A1 10/2012

OTHER PUBLICATIONS

“Man is Lying on the Floor. Time to Relax. Man Relaxing and Dreaming. 3D Human Body Model. Vector Illustration.—Vector.” depositphotos.com. Nov. 7, 2018. Retrieved Feb. 4, 2022 online at URL: <https://depositphotos.com/224525800/stock-illustration-man-lying-floor-time-relax.html> (Year: 2018).*

(Continued)

Primary Examiner — Christian P. McLean

(74) *Attorney, Agent, or Firm* — Howard & Howard Attorneys PLLC

(57) **CLAIM**

The ornamental design for a display screen with animated graphical user interface, as shown and described.

DESCRIPTION

FIG. 1 is an image in a sequence of a first embodiment of a display screen with animated graphical user interface showing our new design;

FIG. 2 is another image of the first embodiment;

FIG. 3 is another image of the first embodiment;

FIG. 4 is another image of the first embodiment;

FIG. 5 is another image of the first embodiment;

FIG. 6 is an image in a sequence of a second embodiment of a display screen with animated graphical user interface;

FIG. 7 is another image of the second embodiment;

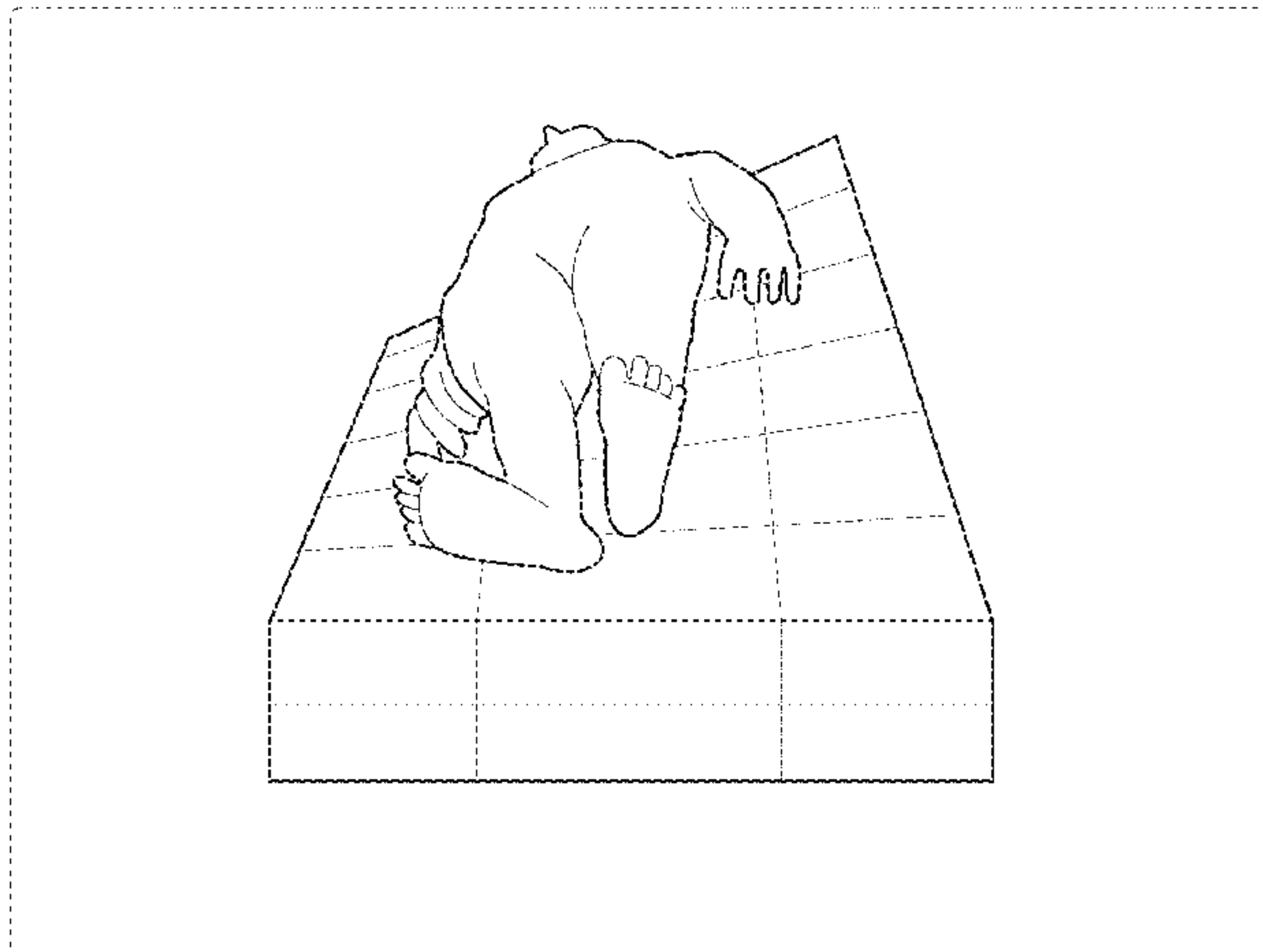
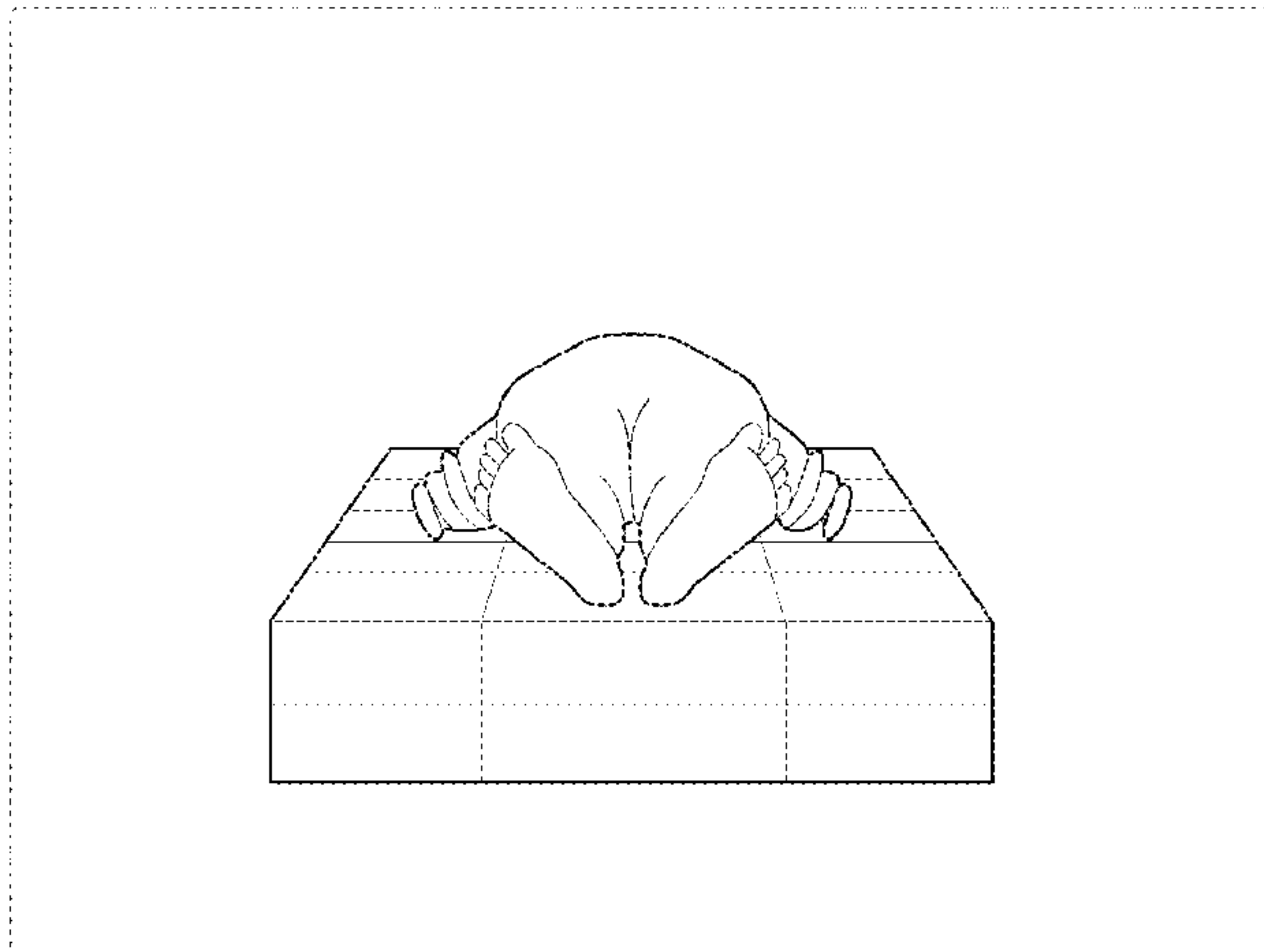
FIG. 8 is another image of the second embodiment;

FIG. 9 is another image of the second embodiment; and,

FIG. 10 is another image of the second embodiment.

The appearance of the graphical user interface of the display screen transitions sequentially between the images shown in FIGS. 1-5. The appearance of the graphical user interface of the display screen transitions sequentially between the images shown in FIGS. 6-10. The process or period in which one image transitions to another image forms no part of the claimed design. The broken lines in the drawings depict the display screen and associated graphics of the graphical user interface and form no part of the claimed design.

1 Claim, 10 Drawing Sheets



(58) **Field of Classification Search**

CPC .. G06F 3/0485; G06F 3/04855; G06F 3/0486;
 G06F 3/04886; G06Q 30/00; G06Q
 30/02; G06Q 30/0237; G06Q 30/0238;
 G06Q 30/0239; H03J 1/00; H03J 1/0008;
 H03J 1/0016; H03J 1/0025; H04N 5/00;
 H04N 5/08; H04N 5/14; H04N 5/222;
 H04N 5/225; H04N 5/232; H04N
 5/23222; H04N 5/23293; H04N
 5/232933; H04N 5/232935; H04N 5/445;
 H04N 5/44504; H04N 5/45; H04N 21/00;
 H04N 21/234; H04N 21/431; H04N
 21/4312; H04N 21/4314; H04N 21/4316;
 H04N 21/4532; H04N 21/4622; H04N
 21/47; H04N 21/478; H04N 21/482;
 H04N 21/4884; H04N 21/4888; H04N
 21/4856; H04N 21/485; H04N 21/6547

See application file for complete search history.

D922,424 S * 6/2021 Frueh D14/486
 D922,425 S * 6/2021 Frueh D14/486
 D925,586 S * 7/2021 Saito D14/488
 D928,189 S * 8/2021 Giannino D14/486
 D934,890 S * 11/2021 Gkanatsios D14/485
 D936,678 S * 11/2021 Frueh D14/486
 D938,979 S * 12/2021 Miyai D14/486
 D939,548 S * 12/2021 Miyai D14/486
 D939,549 S * 12/2021 Miyai D14/486
 D939,550 S * 12/2021 Miyai D14/486
 2014/0278503 A1 * 9/2014 Birk G16H 40/63
 705/2
 2014/0344740 A1 * 11/2014 Kaula G06F 3/0484
 715/771
 2014/0348417 A1 * 11/2014 Moore G06T 13/40
 382/154
 2014/0368499 A1 * 12/2014 Kaur G06T 19/20
 345/420
 2016/0019352 A1 * 1/2016 Cohen G06F 3/04842
 705/3
 2018/0374577 A1 12/2018 Bhimavarapu

(56)

References Cited

U.S. PATENT DOCUMENTS

8,413,271 B2 4/2013 Blanchard et al.
 9,180,302 B2 * 11/2015 Drees G06F 3/03545
 D777,191 S * 1/2017 Polimeni D14/486
 D783,032 S * 4/2017 Cashner D14/486
 D789,963 S * 6/2017 Agashiwala D14/486
 9,849,051 B2 12/2017 Newkirk et al.
 D815,133 S * 4/2018 Fischer D14/486
 D834,601 S * 11/2018 Felt D14/488
 10,310,616 B2 * 6/2019 Rose G06F 3/04815
 10,327,697 B1 * 6/2019 Stein A61B 5/486
 10,391,008 B2 8/2019 Zerhusen et al.
 D870,751 S * 12/2019 Peeters D14/485
 10,561,552 B2 2/2020 Newkirk et al.
 D889,496 S * 7/2020 Giannino D14/486
 D894,960 S * 9/2020 Levy D14/492
 D895,661 S * 9/2020 Lei D14/486
 D916,135 S * 4/2021 Indorf D14/495
 D917,564 S * 4/2021 Indorf D14/495
 D921,654 S * 6/2021 Burnett D14/485
 D922,423 S * 6/2021 Frueh D14/486

OTHER PUBLICATIONS

“3D Model of Man. Polygonal Design. Geometric Design . . . ”
 depositphotos.com. Apr. 15, 2016. Retrieved Feb. 4, 2022 online at
 URL: <https://depositphotos.com/106568536/stock-illustration-3d-model-of-man-polygonal.html> (Year: 2016).*

Stryker, “InTouch Critical Care Bed Version 4.0 with Wi-Fi/Isolibrium (2971) Support Surface Operations Manual”, Ref FL27 (2131/2141), Aug. 2016, https://techweb.stryker.com/Critical_Care/FL27/4_0/operation/2141-209-001D.pdf, 125 pages.

U.S. Appl. No. 62/783,445, filed Dec. 12, 2018.

U.S. Appl. No. 62/885,953, filed Aug. 13, 2019.

Stryker, “InTouch Critical Care Bed FL27 (2131/2141) Upgraded From Version 2.x-3.1 to 4.0 Operations Manual”, 2141-800-101, Rev. D, Aug. 2014, 125 pages.

Youtube, “Umano Medical Ook Snow Hospital Bed (US version) Video”, <https://www.youtube.com/watch?v=MEnRNsVFqz0>, Apr. 6, 2015, 3 pages.

* cited by examiner

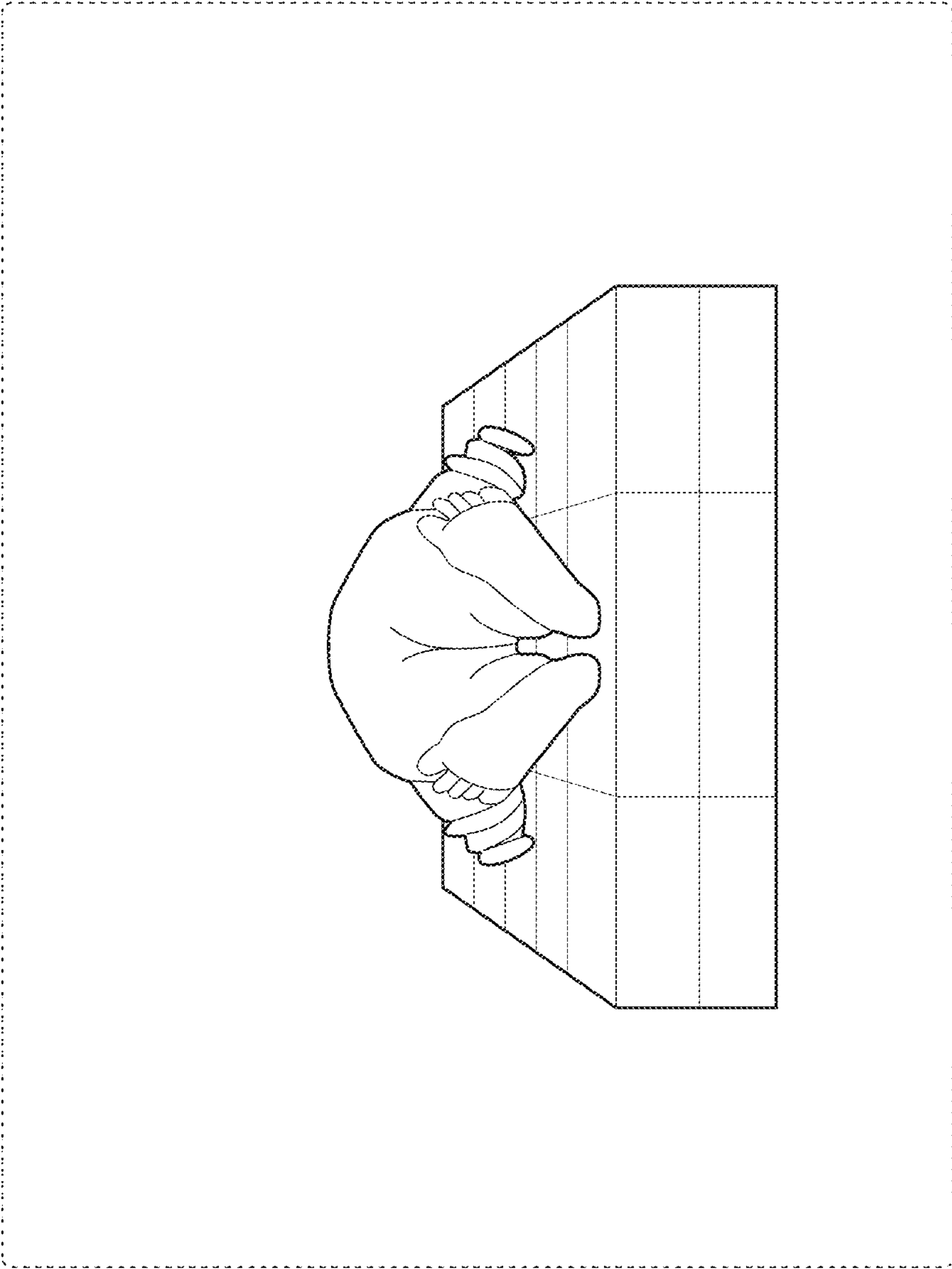


FIG. 1

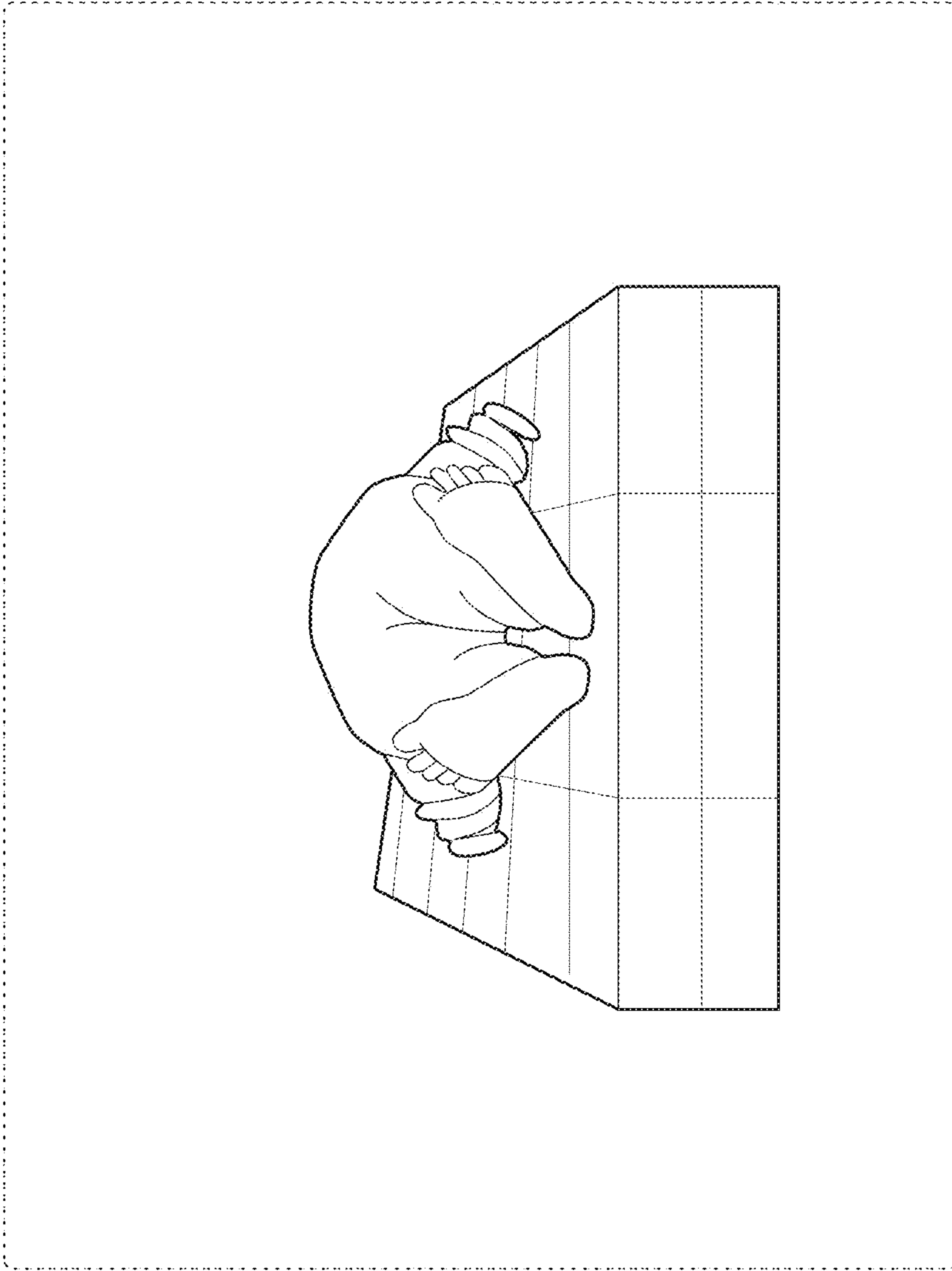


FIG. 2

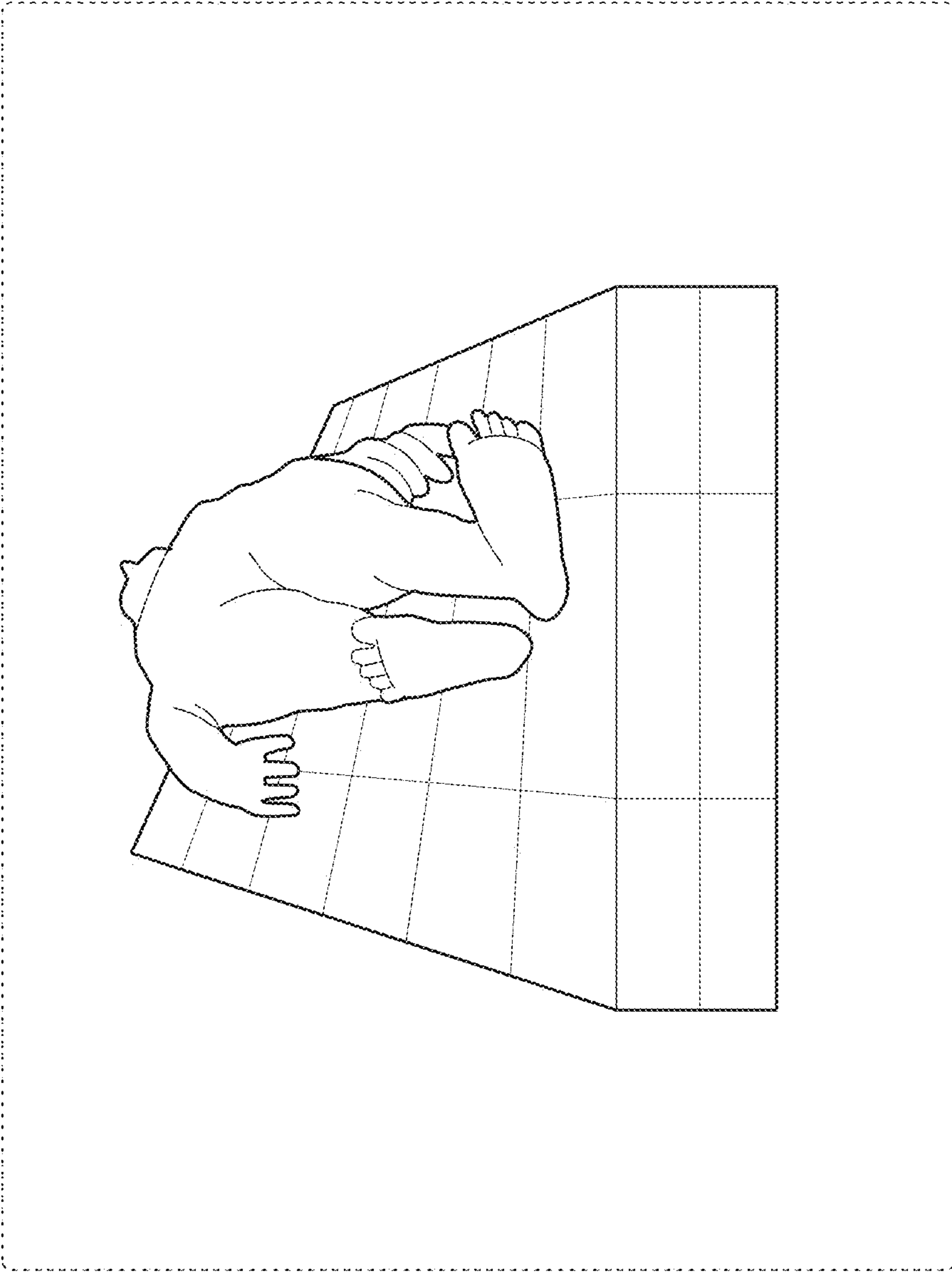


FIG. 3

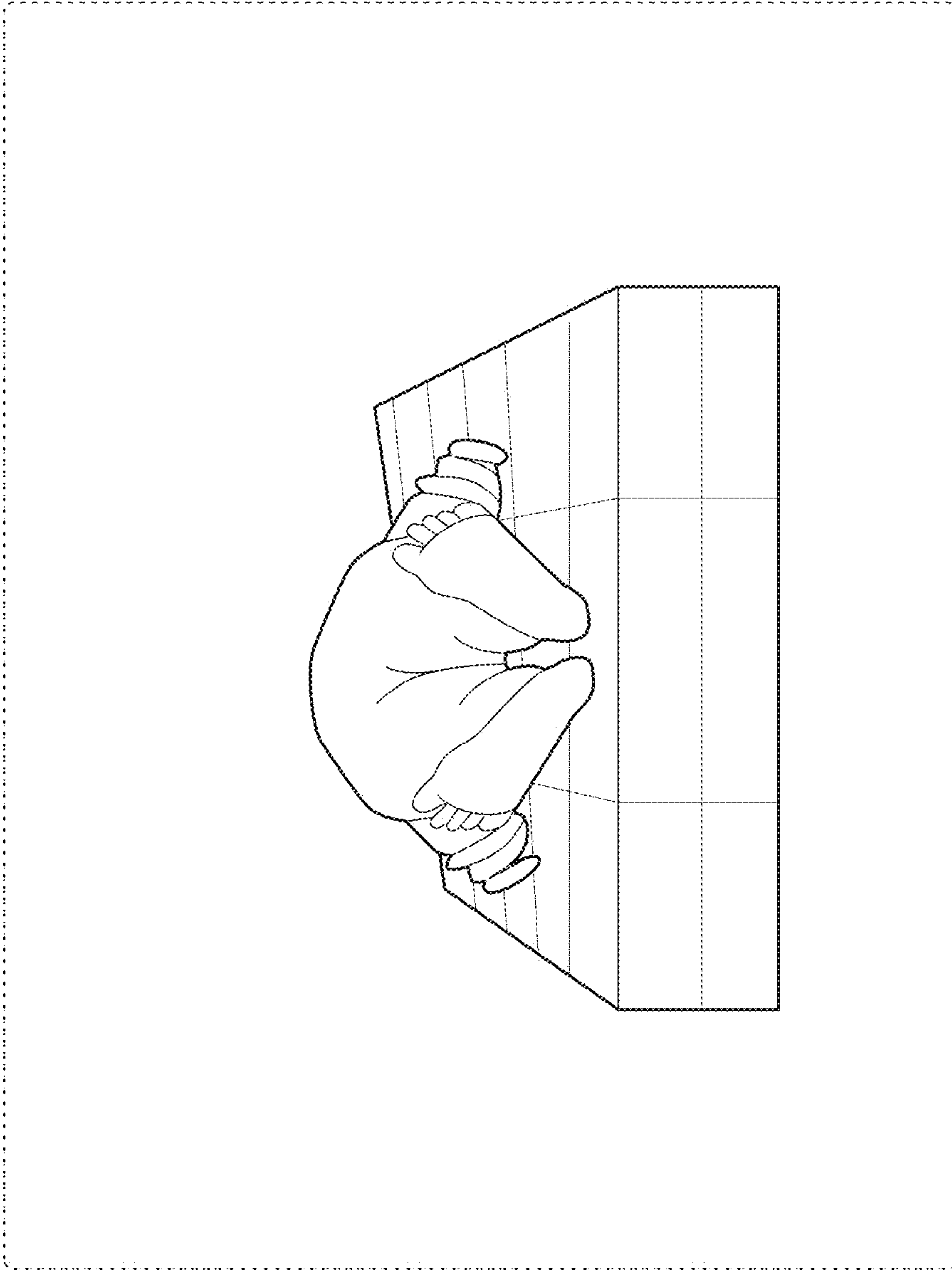


FIG. 4

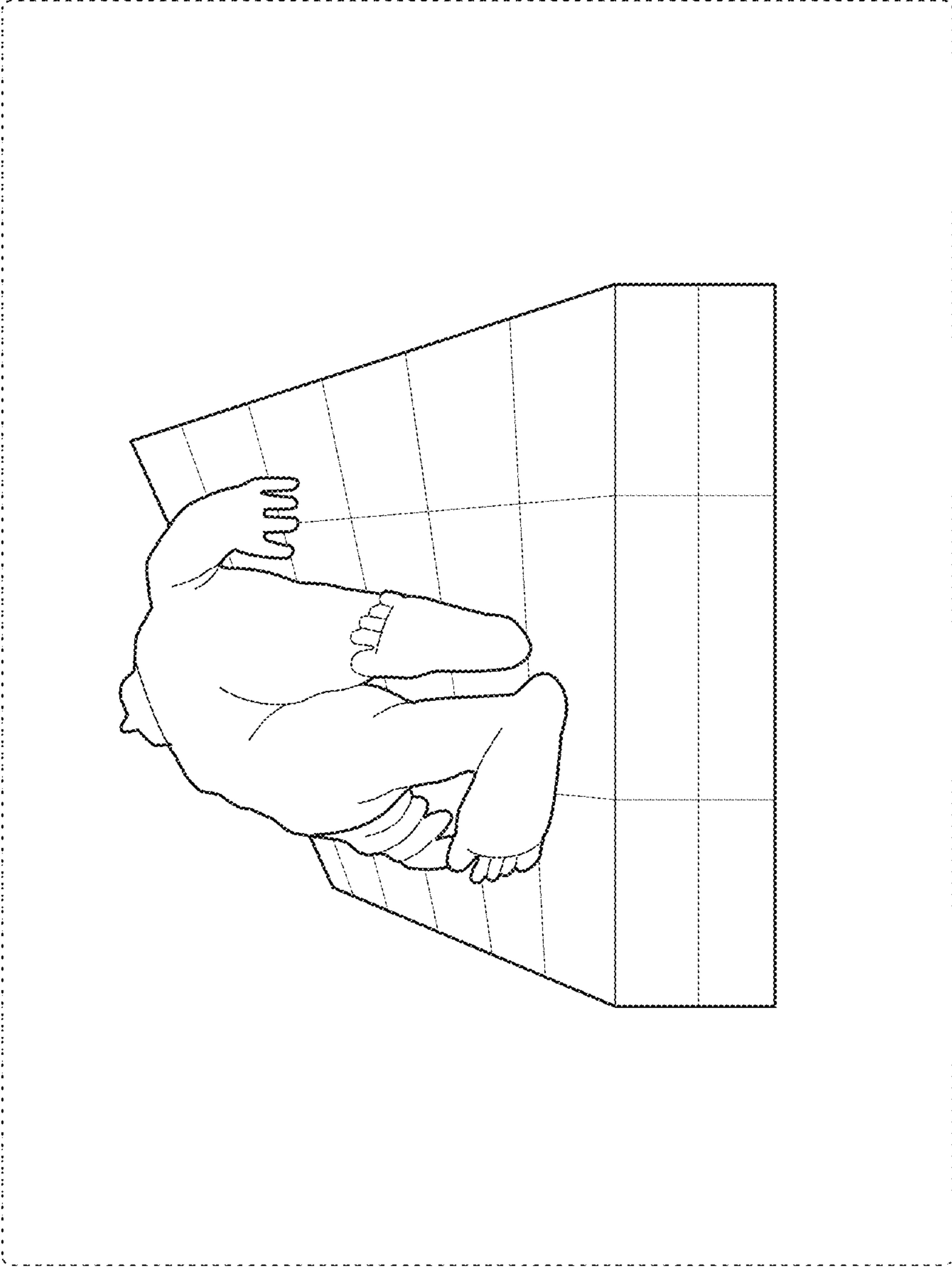


FIG. 5

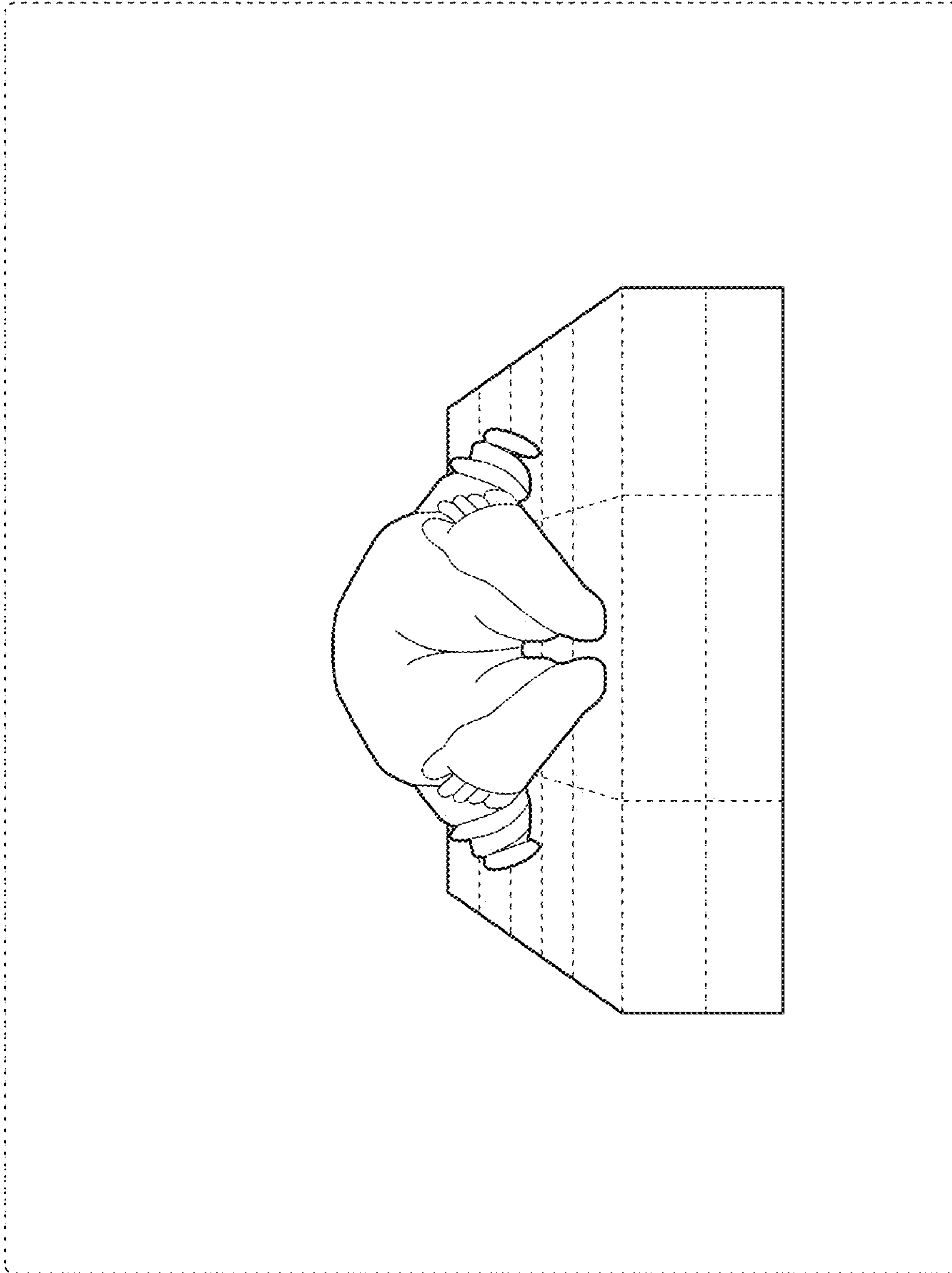


FIG. 6

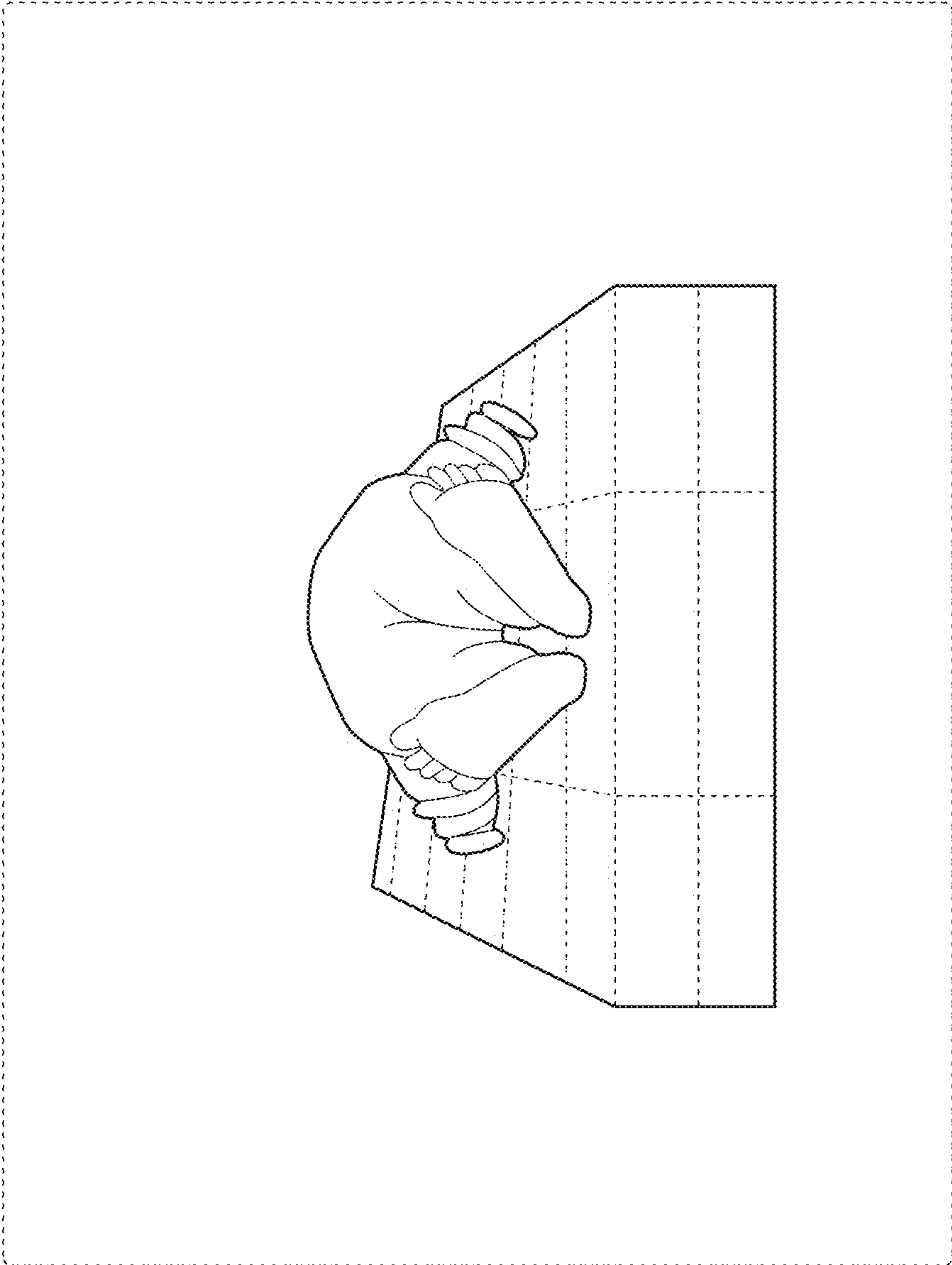


FIG. 7

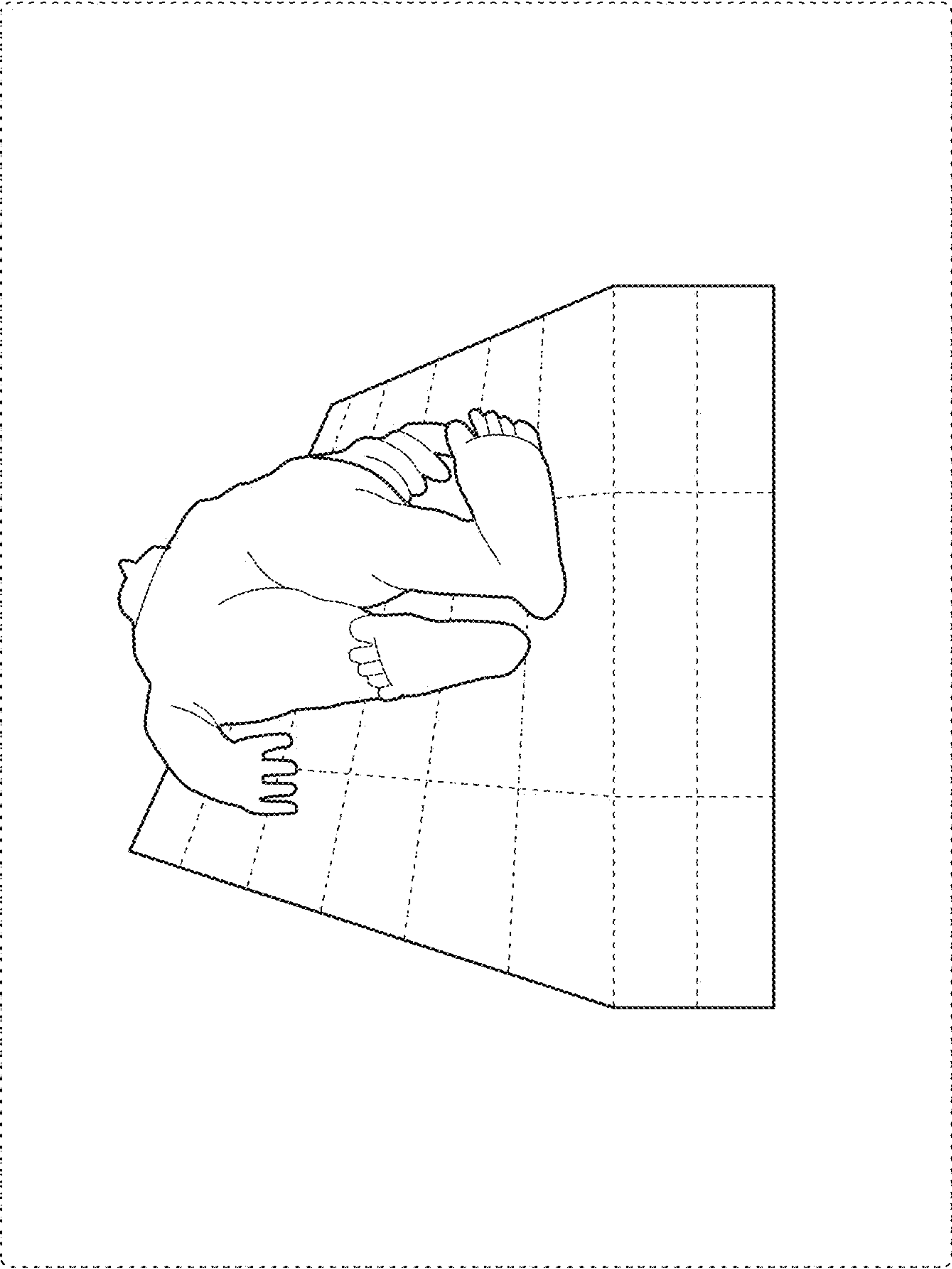


FIG. 8

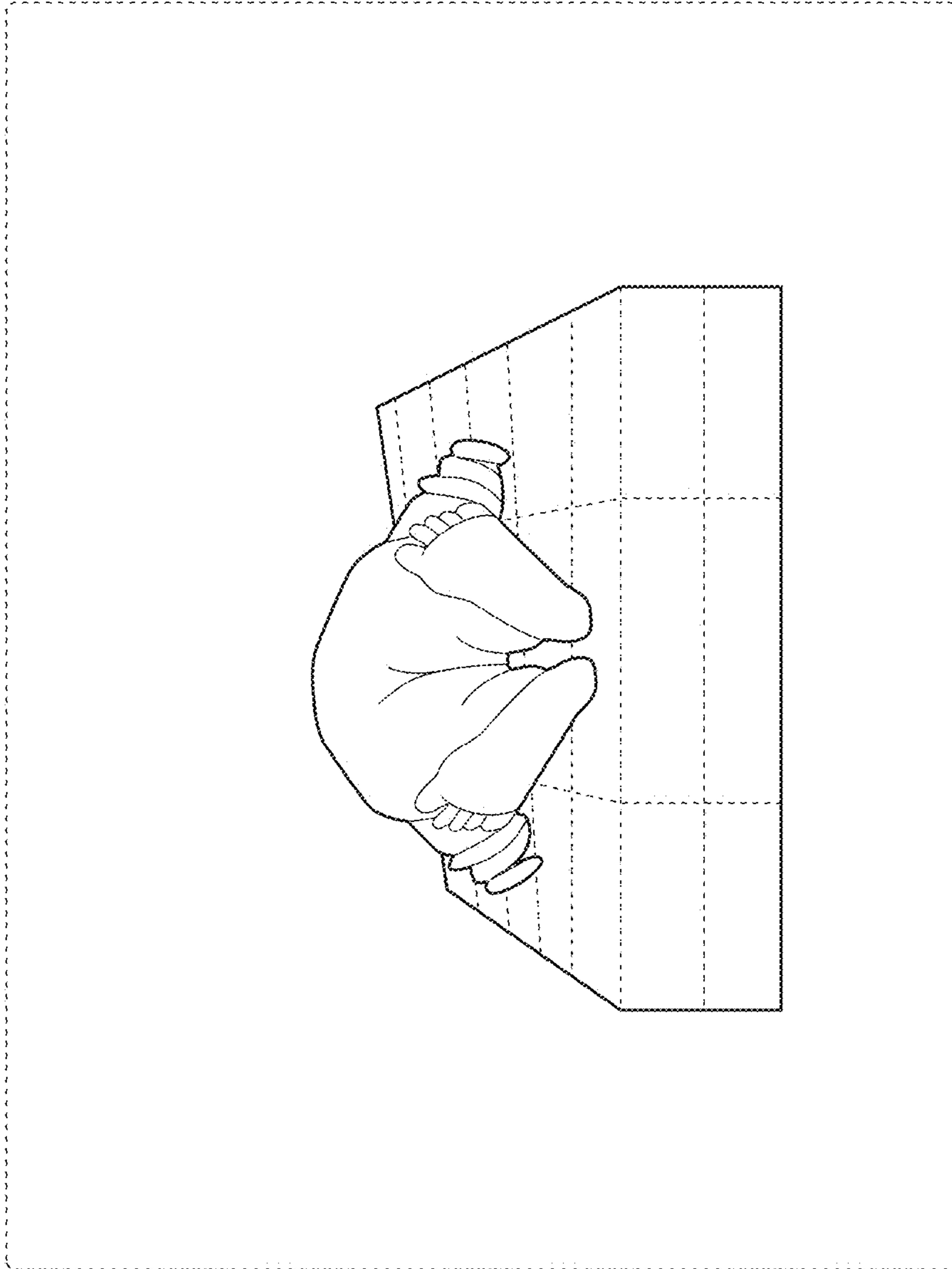


FIG. 9

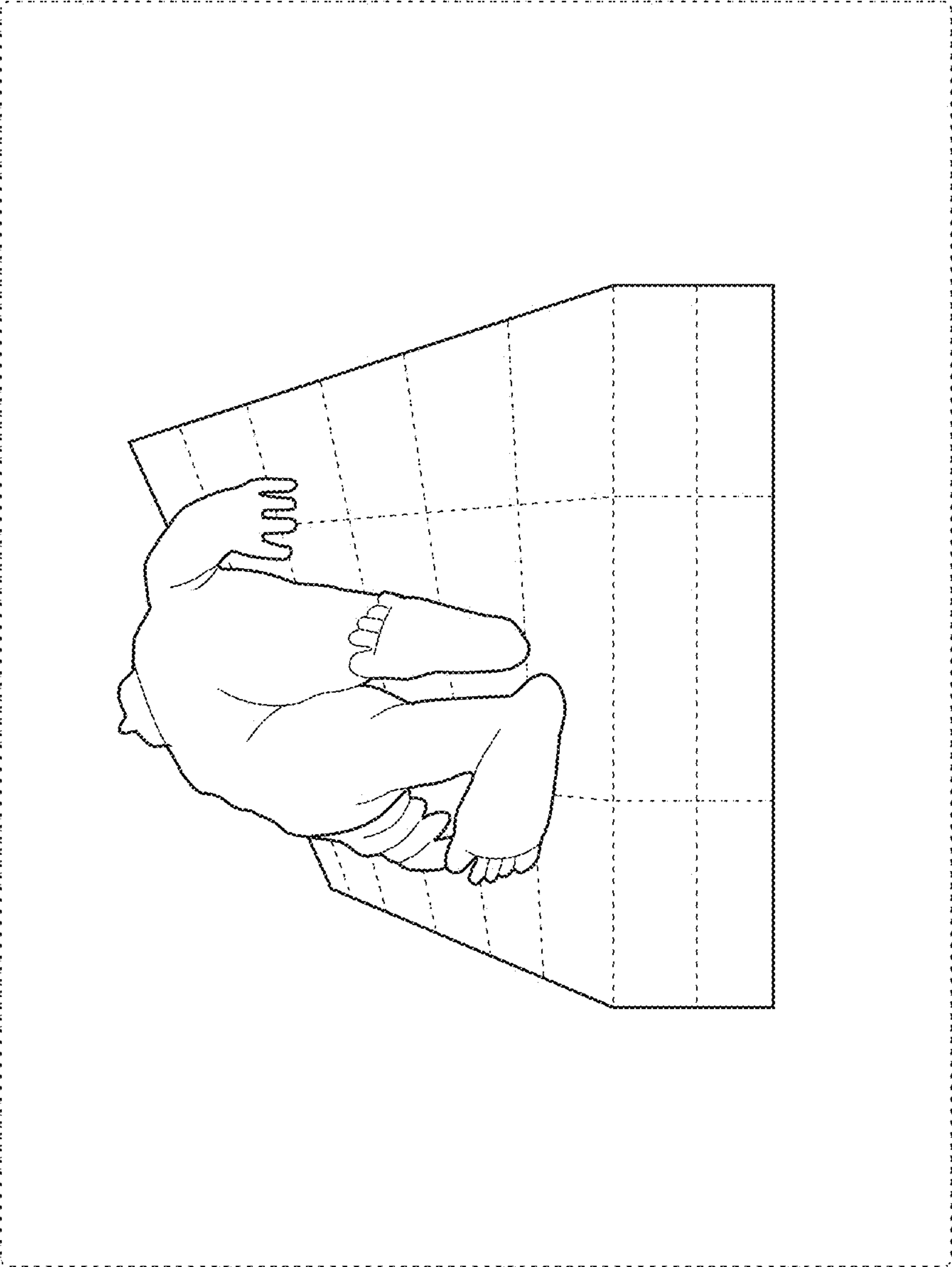


FIG. 10