



US00D959442S

(12) **United States Design Patent** (10) **Patent No.:** **US D959,442 S**
Liao (45) **Date of Patent:** **** Aug. 2, 2022**

(54) **TABLET HOLDER**

A47B 88/044; A47B 2021/0335; H02G 3/126; F16B 47/00; F16B 47/006; A47G 1/17; A47K 2201/00

(71) Applicant: **Qianhai Junda (Shenzhen) Equity Investment Co., Ltd., Shenzhen (CN)**

See application file for complete search history.

(72) Inventor: **Zhuowen Liao, Shenzhen (CN)**

(56) **References Cited**

(73) Assignee: **Qianhai Junda (Shenzhen) Equity Investment Co., Ltd., Shenzhen (CN)**

U.S. PATENT DOCUMENTS

(**) Term: **15 Years**

D733,156 S * 6/2015 Choi D14/447
D758,375 S * 6/2016 Won D14/451
D851,587 S * 6/2019 Schmidt D13/108
D893,503 S * 8/2020 Burmester D14/447

(21) Appl. No.: **29/768,107**

(Continued)

(22) Filed: **Jan. 27, 2021**

Primary Examiner — Katie Jane Stofko

(30) **Foreign Application Priority Data**

(74) *Attorney, Agent, or Firm* — Wolf, Greenfield & Sacks, P.C.

Dec. 31, 2020 (CN) 202030827512.1

(51) **LOC (13) Cl.** **14-02**

(52) **U.S. Cl.**
USPC **D14/451**

(58) **Field of Classification Search**

USPC D14/371–382, 125–129, 336, 337, D14/447–452, 492, 335, 376–382, 239, D14/457, 439–441, 432, 251–253; D8/349, 354, 363, 373, 376, 380; D21/333; D12/415; D3/218; 348/180, 348/184, 325, 739, 825
CPC G06F 3/0412; G06F 3/016; G06F 3/0488; G06F 3/011; G06F 3/038; G06F 3/03543; G06F 3/0338; G06F 3/0202; G06F 3/0219; G06F 3/0213; G06F 1/1616; G06F 3/023; G06F 3/04883; G02F 1/13338; G02F 1/1313; G02F 1/1333; G02F 1/135; G02F 1/132; G02F 1/133308; G02F 1/134309; G02F 1/13718; G09G 3/3648; G06K 15/1252; B41J 2/465; G03F 7/70291; G02B 27/0172; G02B 5/30; G02B 2027/0118; G02B 27/0101; F16M 13/02; F16M 13/00; F16M 11/10; F16M 11/04; F16M 2200/08; F16M 11/2021; A47B 21/0314;

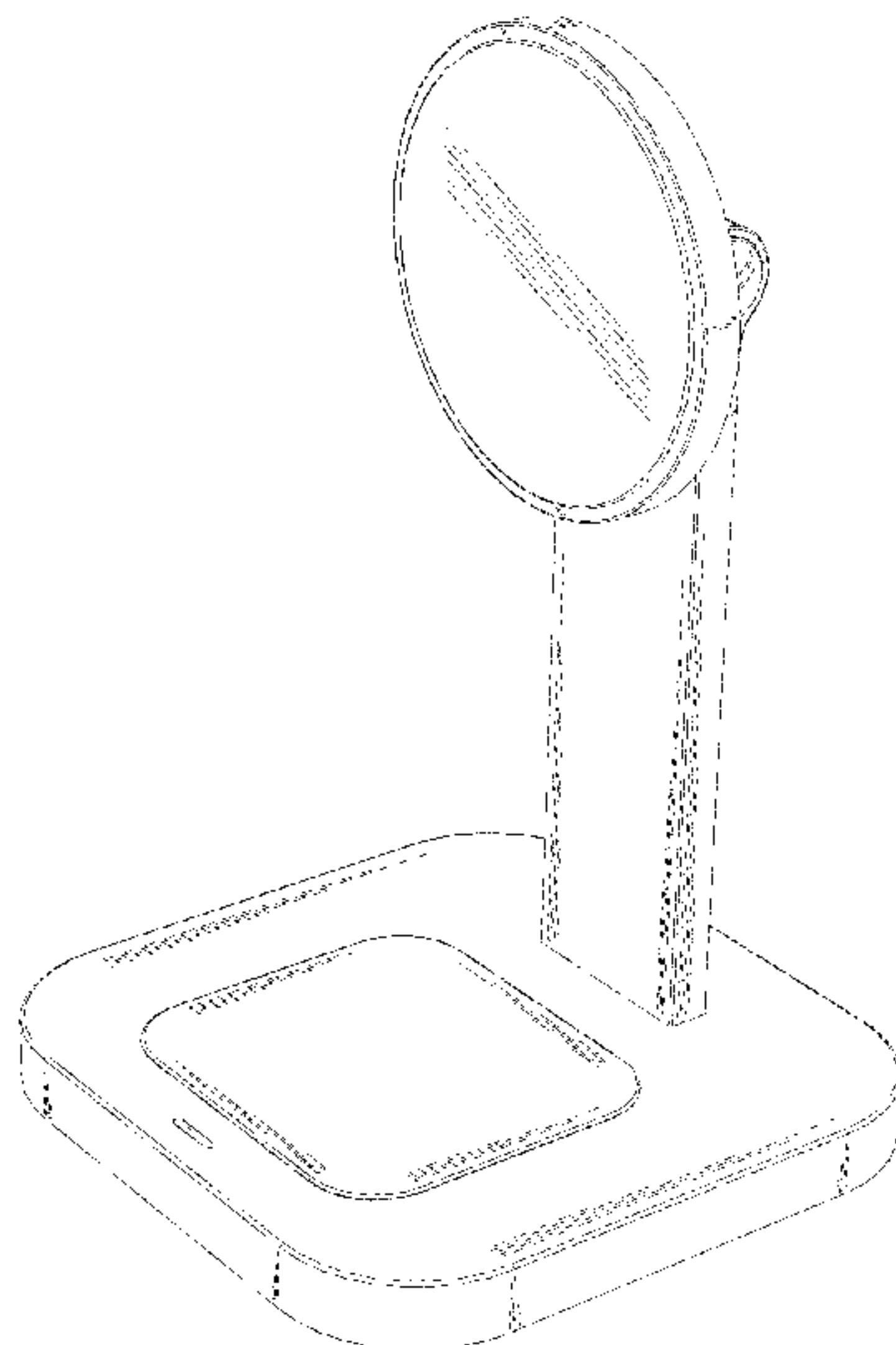
(57) **CLAIM**

The ornamental design for a tablet holder, as shown and described.

DESCRIPTION

FIG. 1 is a front, top and right side perspective view of a tablet holder showing my new design;
FIG. 2 is a rear, top and left side perspective view thereof;
FIG. 3 is a rear, bottom and right side perspective view thereof;
FIG. 4 is a front elevational view thereof;
FIG. 5 is a rear elevational view thereof;
FIG. 6 is a left elevational side view thereof;
FIG. 7 is a right elevational side view thereof;
FIG. 8 is a top plan view thereof;
FIG. 9 is a bottom plan view thereof;
FIG. 10 is another front, top and right side perspective view thereof, shown in an alternate position; and,
FIG. 11 is another rear, top and left side perspective view thereof, shown in an alternate position.
The broken lines in the figures depict portions of the tablet holder that form no part of the claimed design.

1 Claim, 11 Drawing Sheets



(56)

References Cited

U.S. PATENT DOCUMENTS

D893,504 S *	8/2020	Siminoff	D14/452
D900,122 S *	10/2020	Siminoff	D14/451
D902,217 S *	11/2020	Zhang	D14/447
D928,703 S *	8/2021	Liao	D13/108
D935,791 S *	11/2021	Li	D6/309
D940,700 S *	1/2022	Yongren	D14/447
D942,389 S *	2/2022	Sun	D14/447
D944,788 S *	3/2022	Huang	D14/253
2019/0190283 A1 *	6/2019	Lee	H02J 7/0013

* cited by examiner

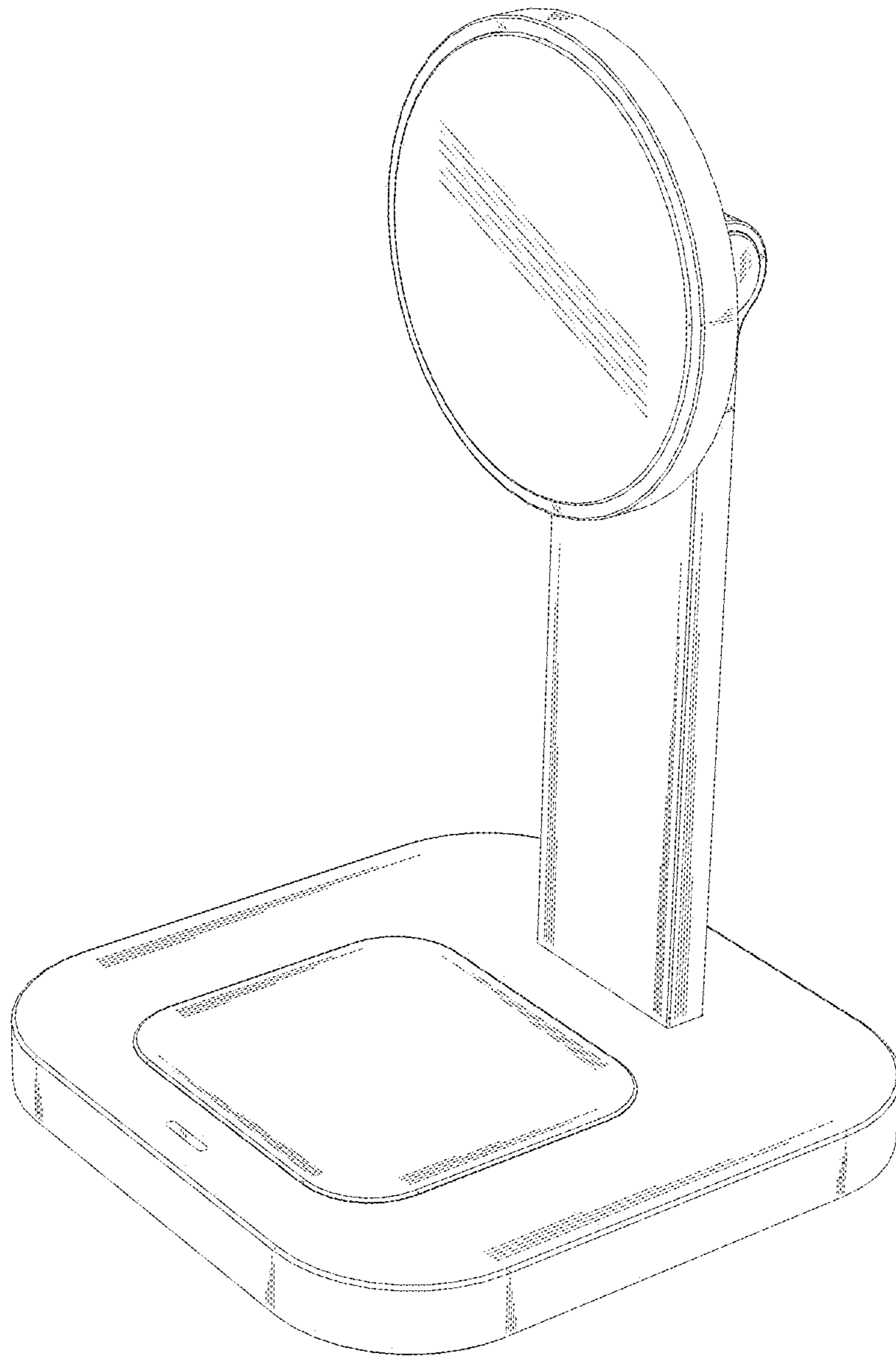


FIG. 1

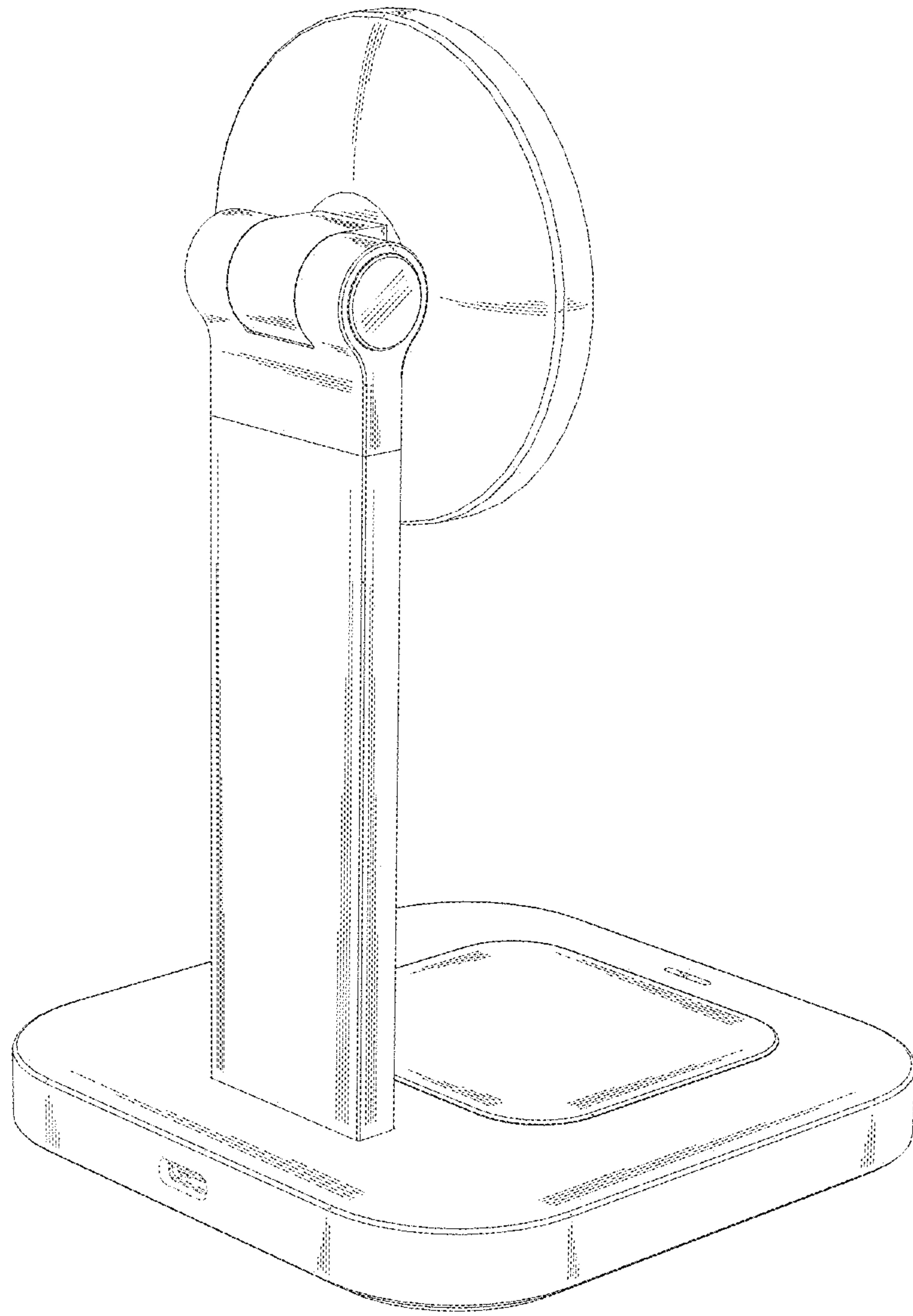


FIG. 2

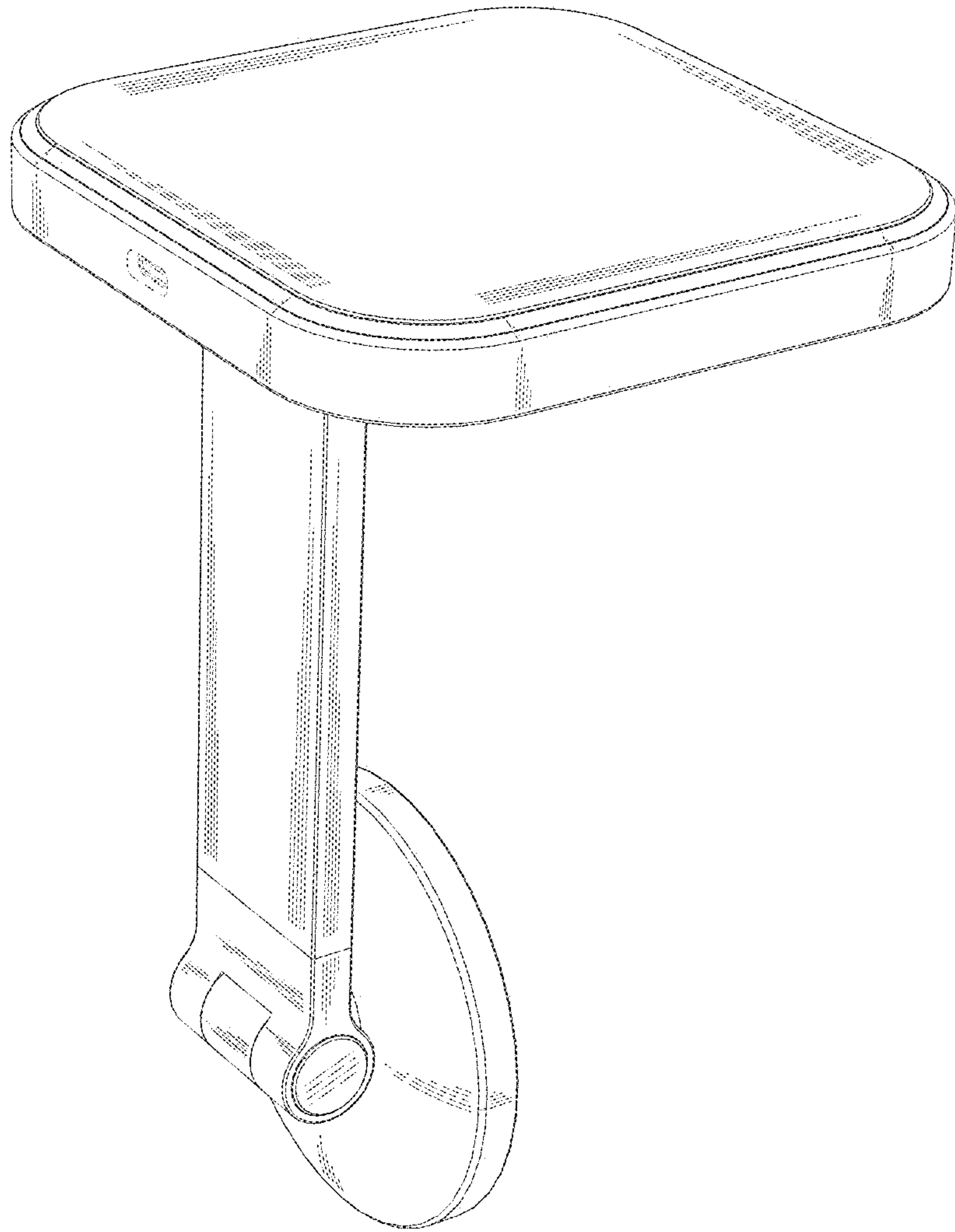


FIG. 3

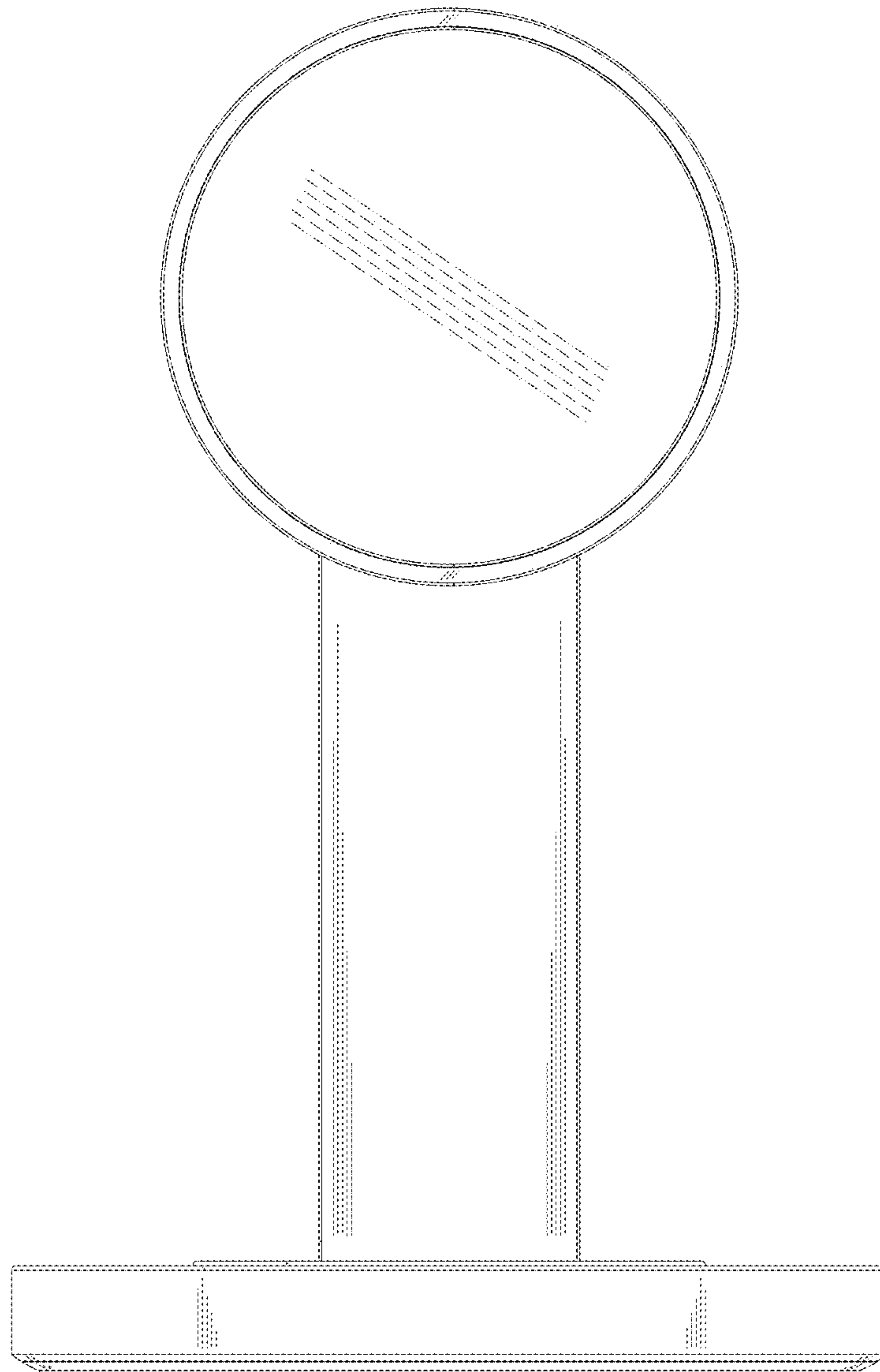


FIG. 4

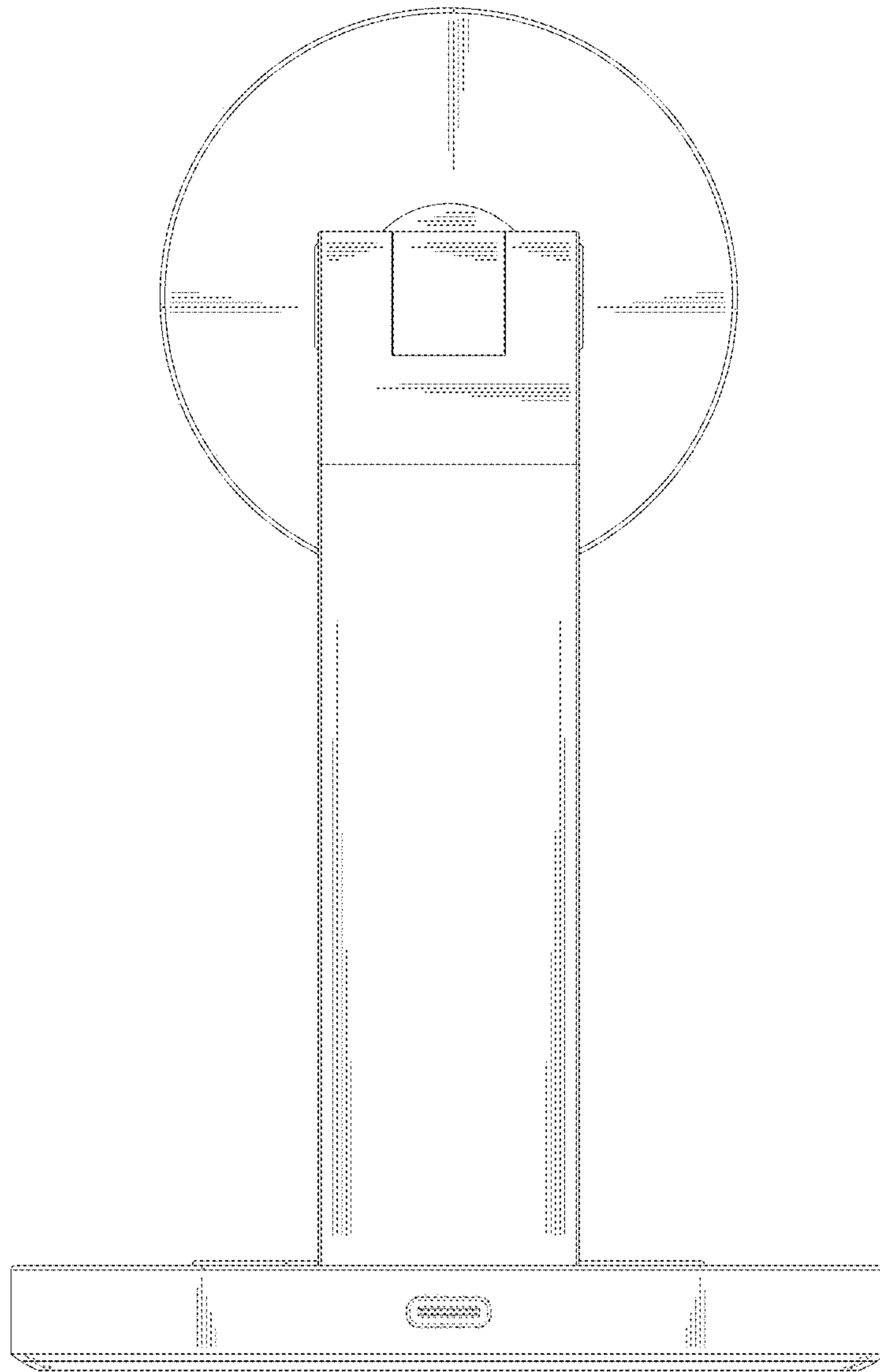


FIG. 5

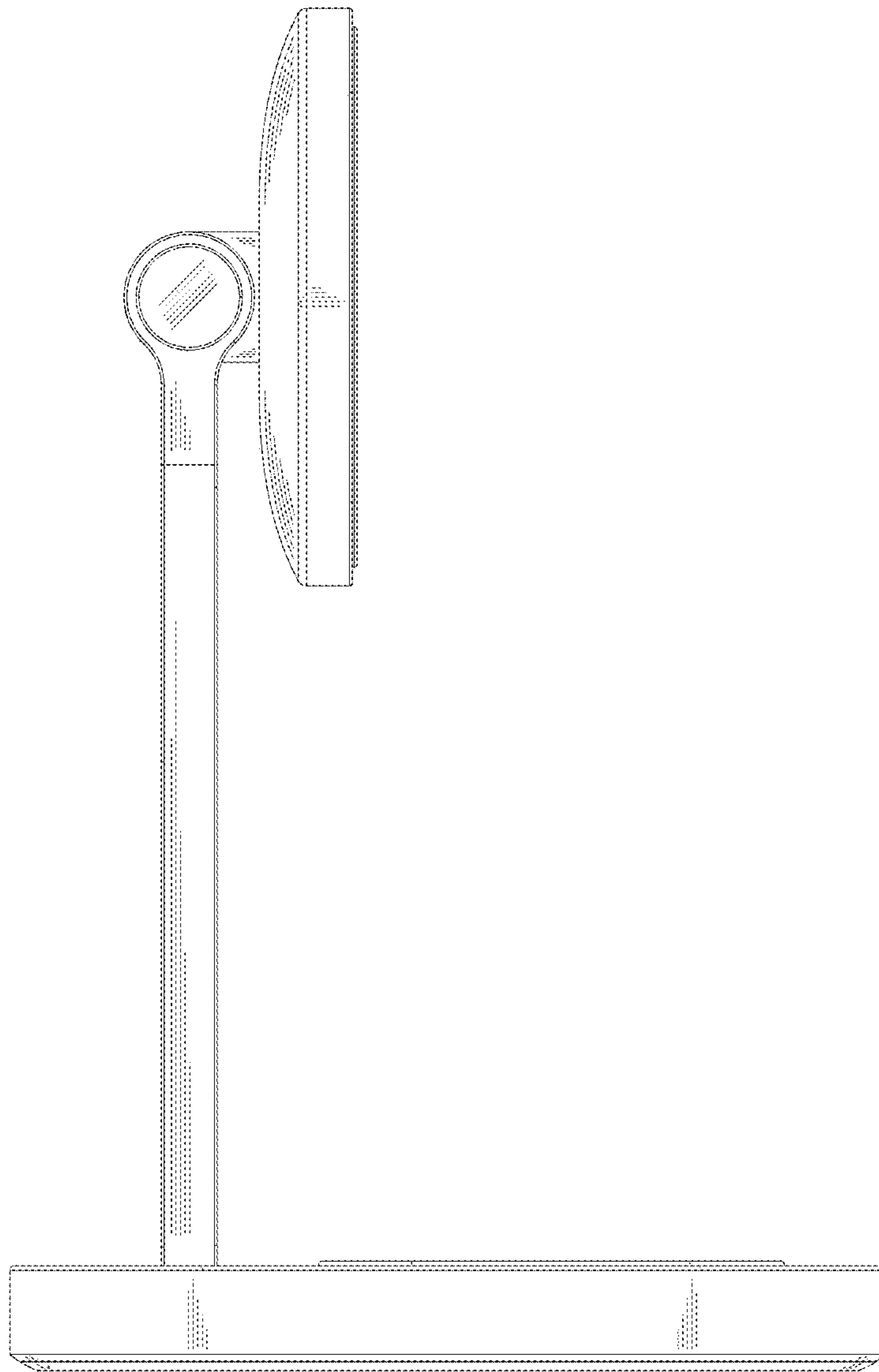


FIG. 6

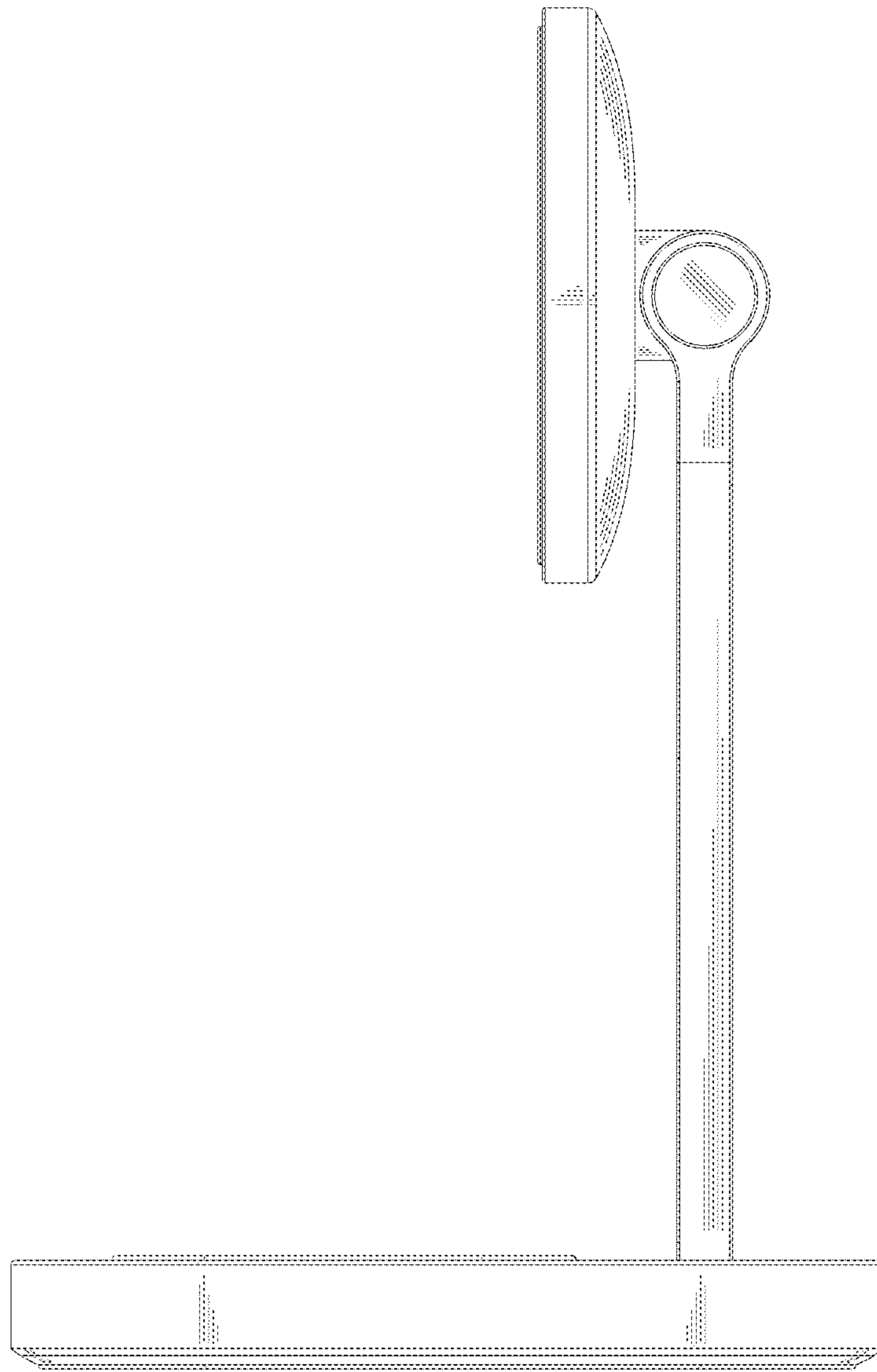


FIG. 7

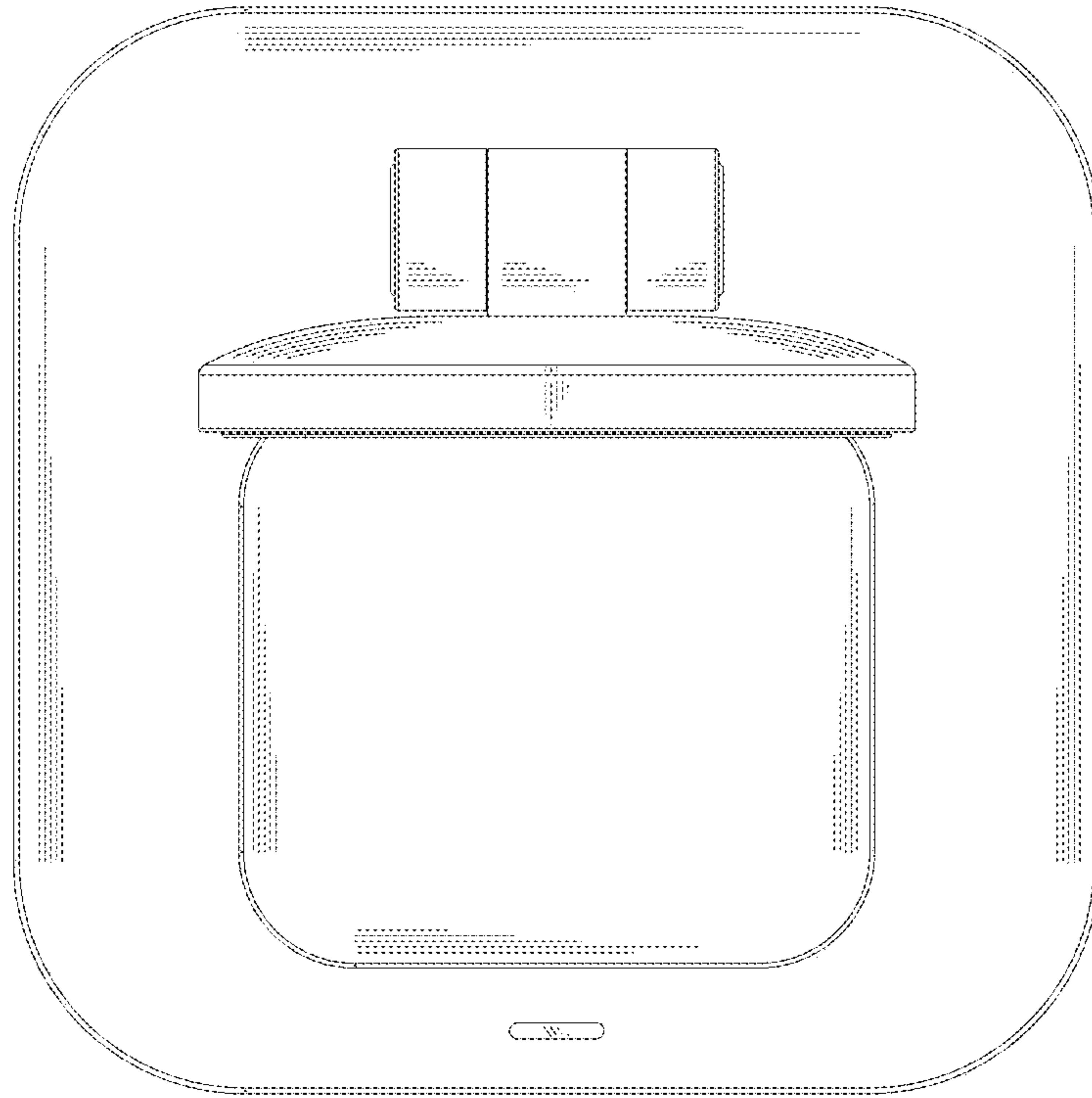


FIG. 8

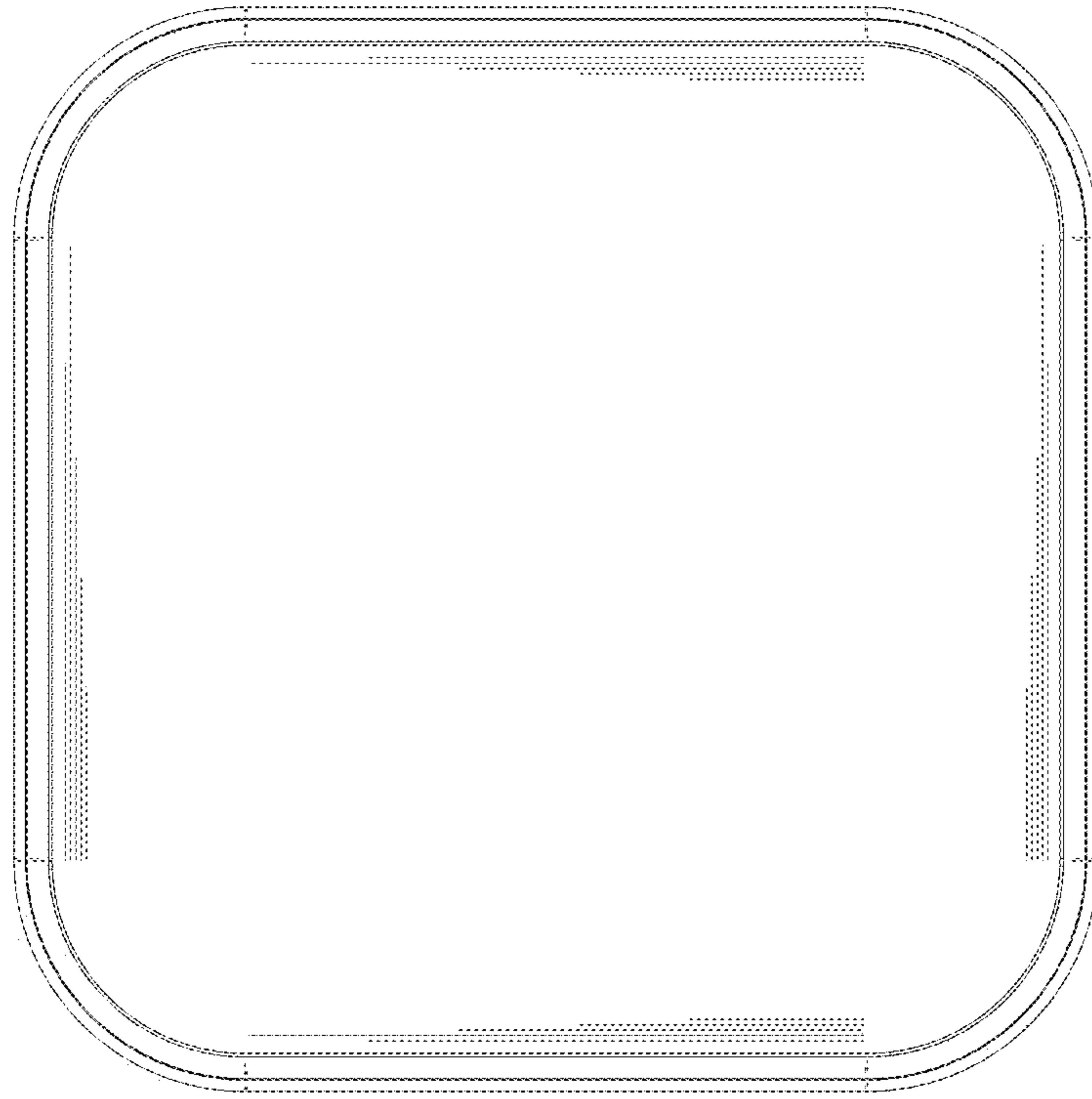


FIG. 9

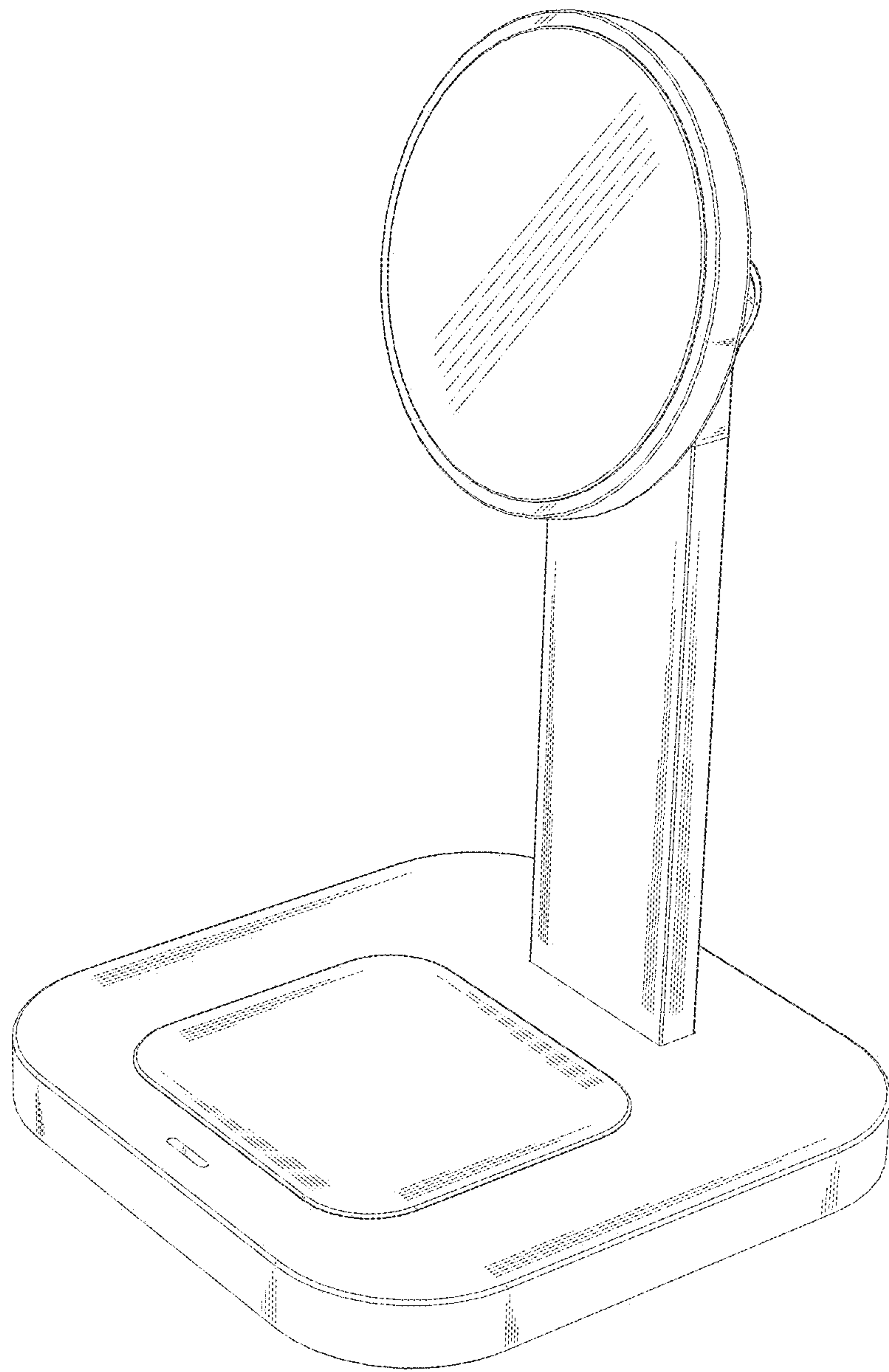


FIG. 10

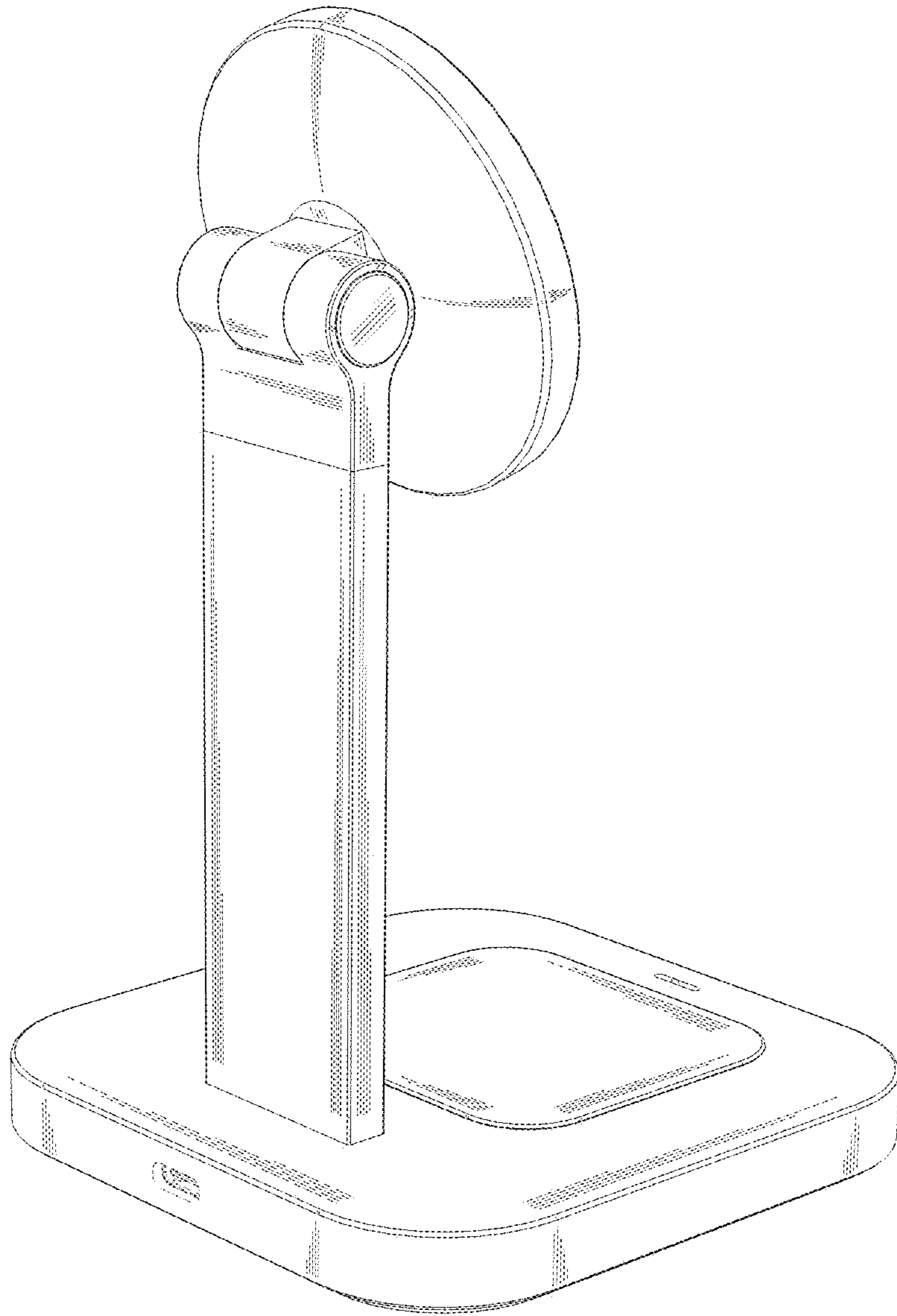


FIG. 11