



US00D959441S

(12) **United States Design Patent** (10) **Patent No.:** **US D959,441 S**  
**Kelsch et al.** (45) **Date of Patent:** **\*\* Aug. 2, 2022**

(54) **ANTI-THEFT DEVICE FOR A CLAMSHELL-TYPE ELECTRONIC GADGET**

(71) Applicants: **Christopher A. Kelsch**, Palm Harbor, FL (US); **Vanguard Products Group, Inc.**, Oldsmar, FL (US)

(72) Inventors: **Christopher A. Kelsch**, Palm Harbor, FL (US); **Wade Zhu**, Tampa, FL (US); **Lee Eckert**, Sarasota, FL (US)

(73) Assignee: **Vanguard Products Group, Inc.**, Oldsmar, FL (US)

(\*\*) Term: **15 Years**

(21) Appl. No.: **29/785,589**

(22) Filed: **May 26, 2021**

(51) **LOC (13) Cl.** ..... **14-02**

(52) **U.S. Cl.**  
USPC ..... **D14/447**

(58) **Field of Classification Search**  
USPC ..... D14/447, 432, 434, 439, 440, 451, 452, D14/457, 239, 253, 250; D8/363, 373, D8/380; D6/406.3, 406.4, 406.5, 406.6; D12/415; D21/333, 332; D10/106.92, D10/106.9  
CPC ..... A47B 21/04; A47B 2097/006; A47B 2097/005; A47B 2023/049; A45C 2011/002; A45C 2011/003; F16M 2200/00; F16M 13/00; G08B 13/1409  
See application file for complete search history.

(56) **References Cited**

**U.S. PATENT DOCUMENTS**

5,457,745 A 10/1995 Wang  
D390,849 S 2/1998 Richter et al.  
D411,542 S 6/1999 Richter  
D456,024 S \* 4/2002 Richter ..... D14/434

D529,905 S \* 10/2006 Richter ..... D14/447  
D566,118 S 4/2008 Brassard  
D685,379 S \* 7/2013 Richter ..... D14/447  
D685,804 S \* 7/2013 Richter ..... D14/447  
D693,352 S \* 11/2013 Gelsomini ..... D14/447  
D723,042 S \* 2/2015 Lee ..... D14/447  
D752,571 S \* 3/2016 Richter ..... D14/253  
D772,218 S 11/2016 Alesi et al.  
D786,882 S \* 5/2017 Cho ..... D14/447  
9,972,178 B2 \* 5/2018 Richardson ..... G06Q 30/0185  
D832,248 S 10/2018 Sukphist et al.  
D859,393 S 9/2019 Dang et al.  
D877,688 S 3/2020 Liu  
D890,740 S 7/2020 Khubani et al.  
D892,787 S 8/2020 Chen  
D896,177 S 9/2020 Zheng  
D900,087 S 10/2020 Leeds-Frank et al.  
D907,029 S 1/2021 Khubani et al.  
D923,451 S \* 6/2021 Kelsch ..... D8/330  
D927,495 S \* 8/2021 Kelsch ..... D14/447

(Continued)

*Primary Examiner* — Angela J Lee

(74) *Attorney, Agent, or Firm* — Smith & Hopen, P.A.; Andriy Lytvyn; Anton J. Hopen

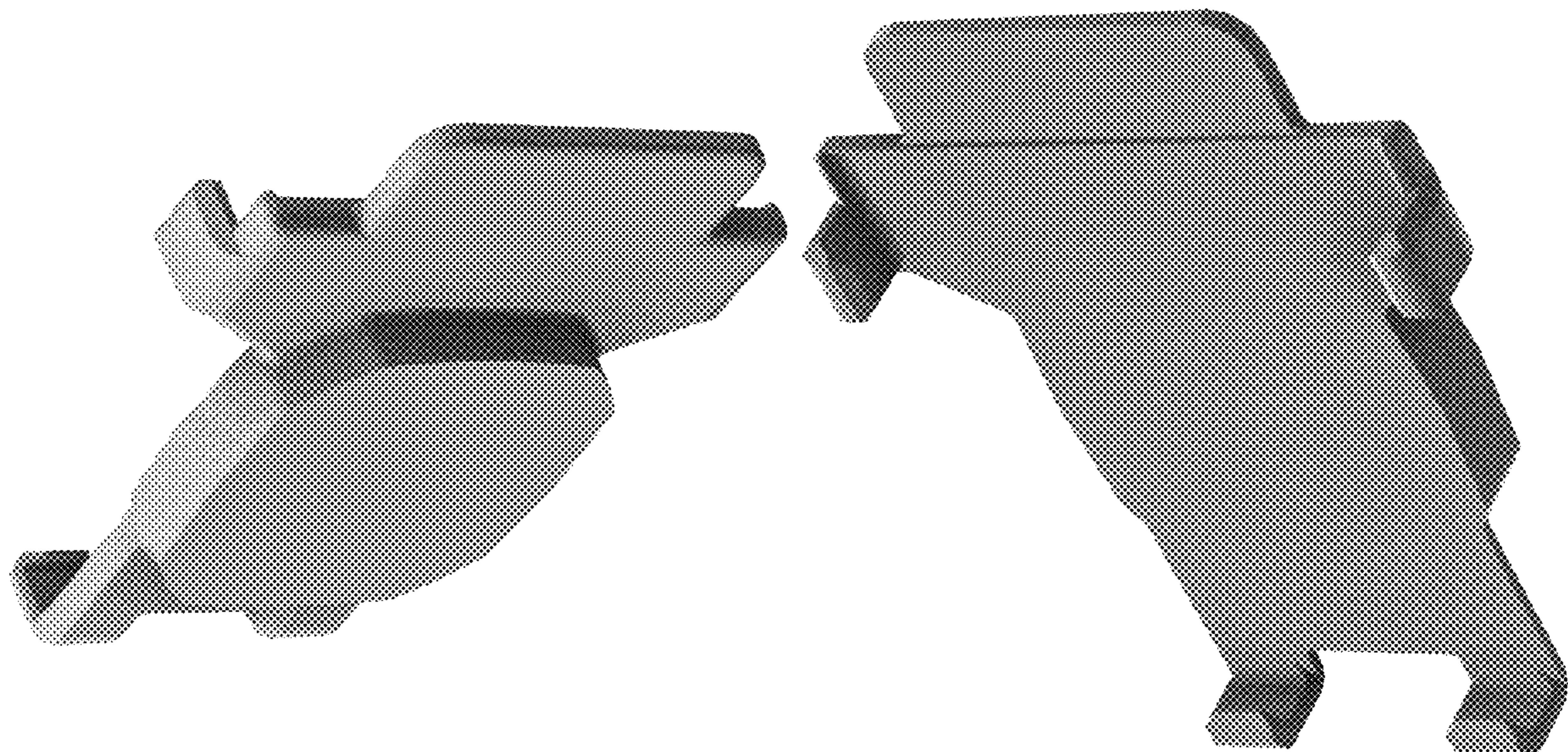
(57) **CLAIM**

The ornamental design for an anti-theft device for a clamshell-type electronic gadget, as shown and described.

**DESCRIPTION**

FIG. 1 is a perspective back view of an anti-theft device for a clamshell-type electronic gadget showing the claimed design;  
FIG. 2 is a back view thereof;  
FIG. 3 is a front view thereof;  
FIG. 4 is a bottom view thereof;  
FIG. 5 is a top view thereof;  
FIG. 6 is a left view thereof.  
FIG. 7 is a back-top-right perspective thereof; and,  
FIG. 8 is a front-right-top perspective view thereof.

**1 Claim, 7 Drawing Sheets**



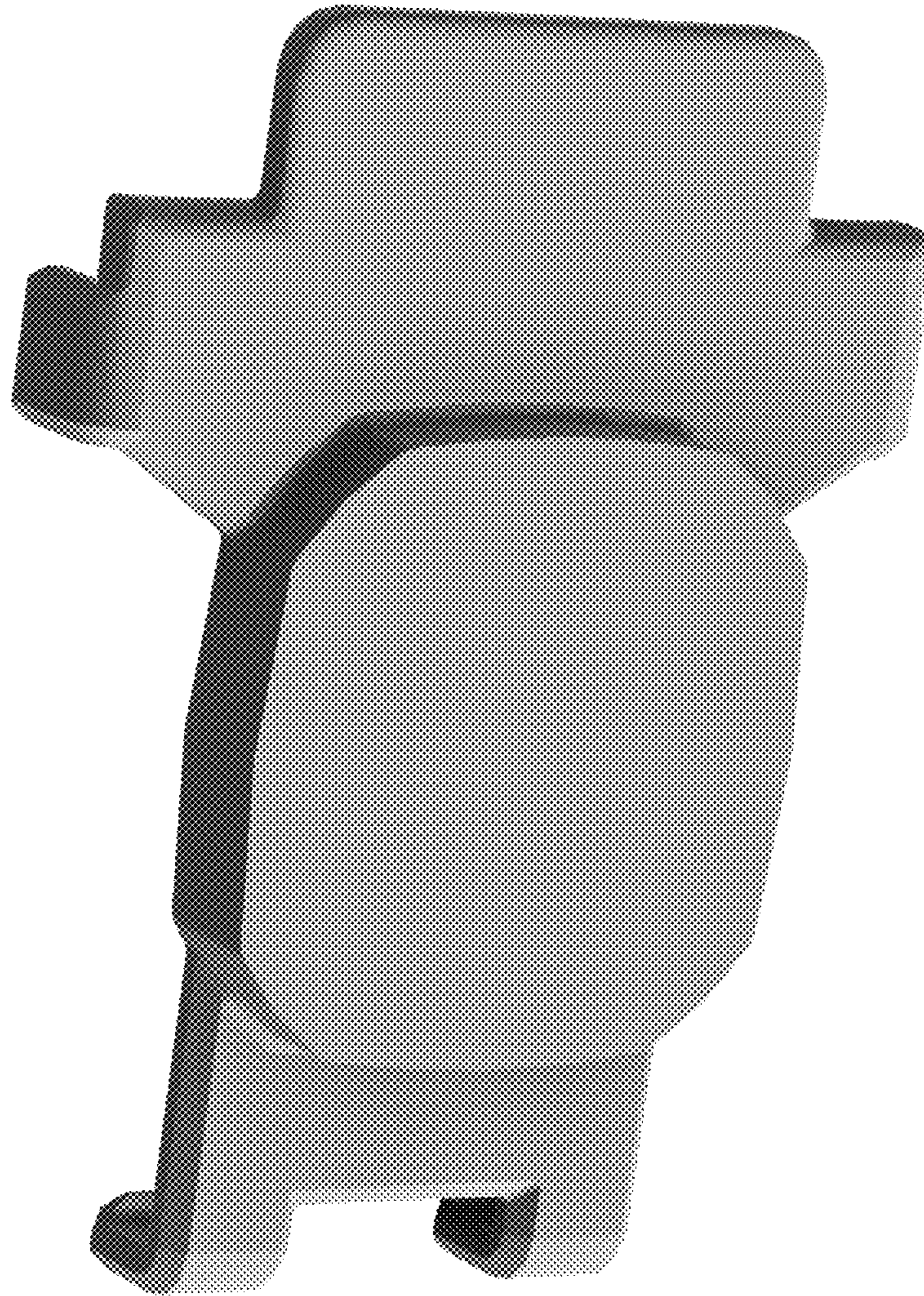
(56)

**References Cited**

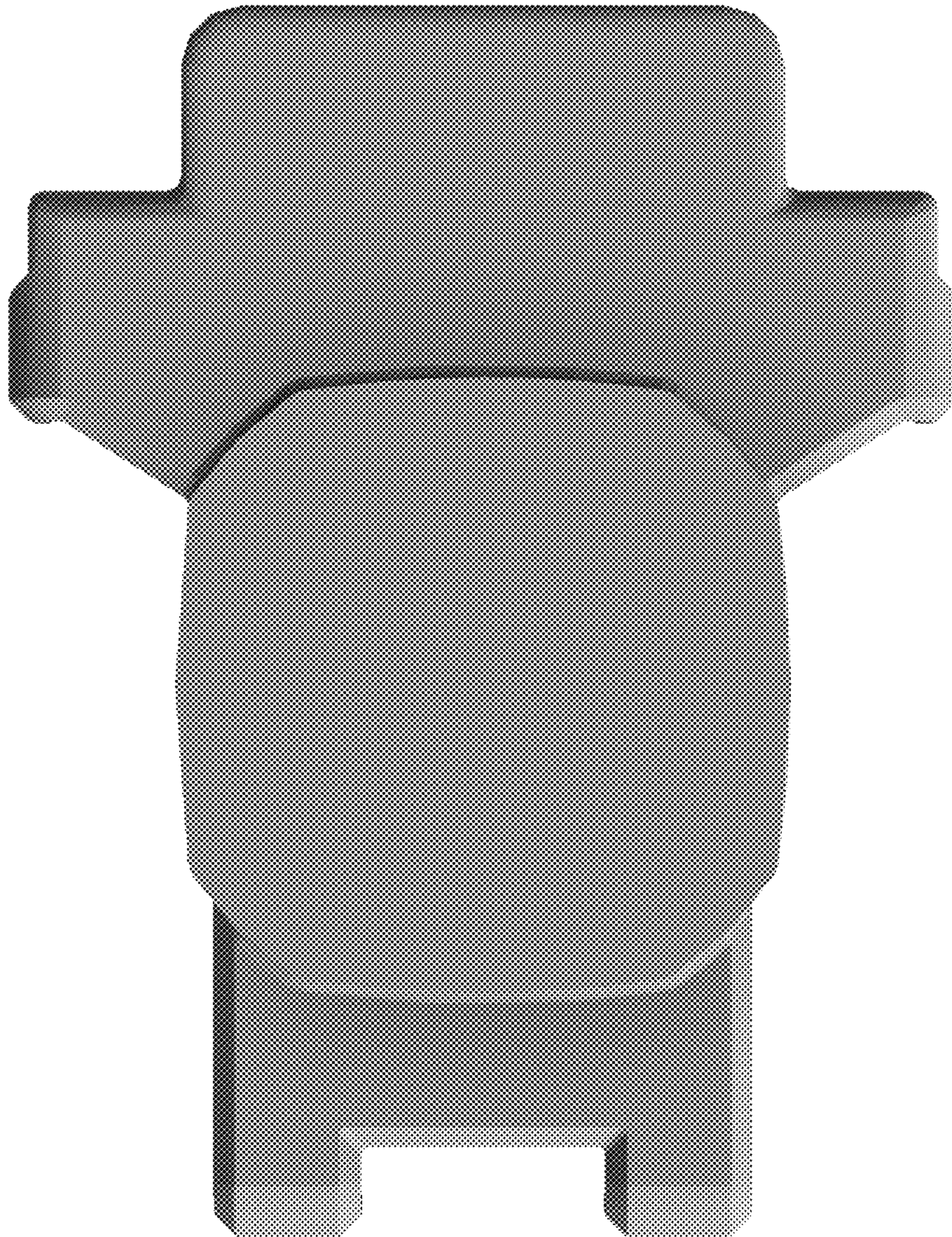
U.S. PATENT DOCUMENTS

2005/0236536 A1 10/2005 Fan  
2005/0279902 A1 12/2005 Richter

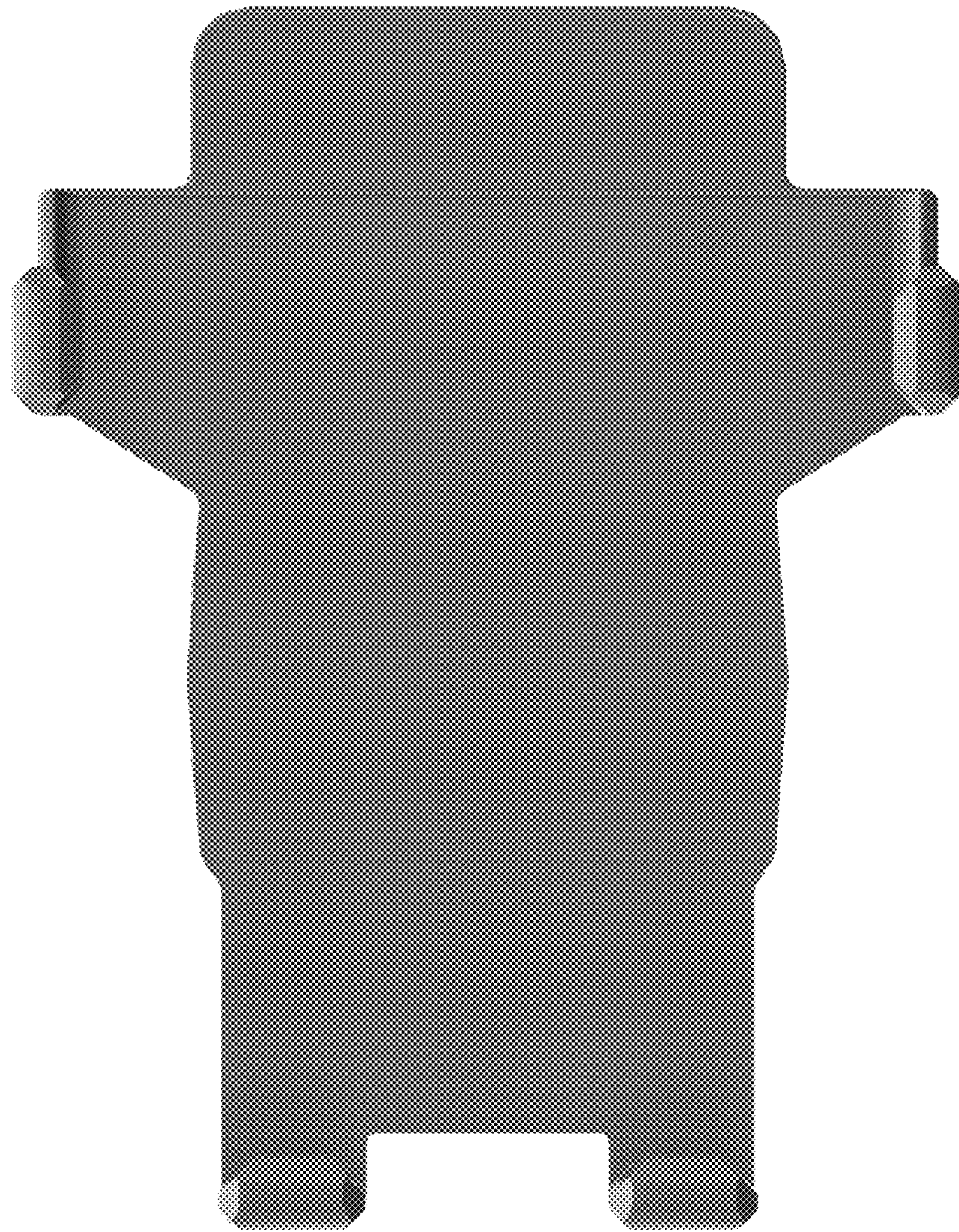
\* cited by examiner



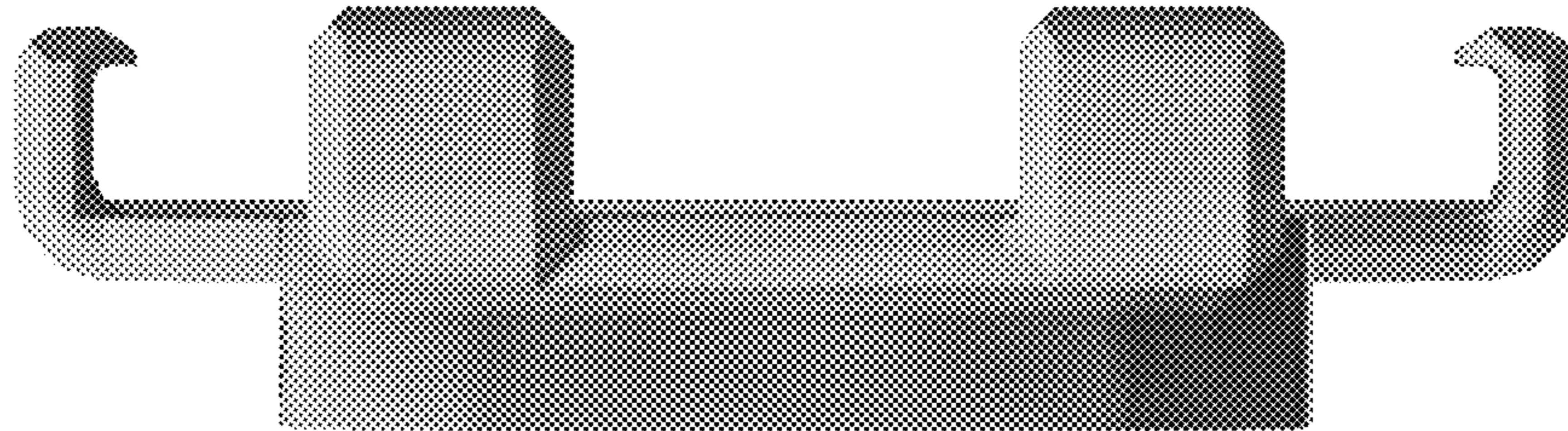
*FIG. 1*



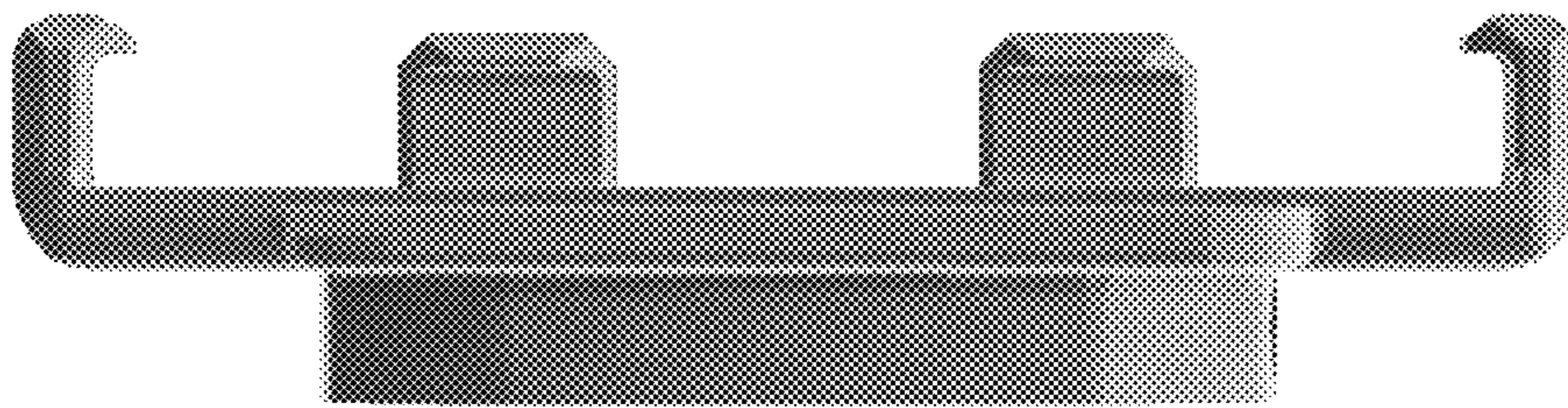
*FIG. 2*



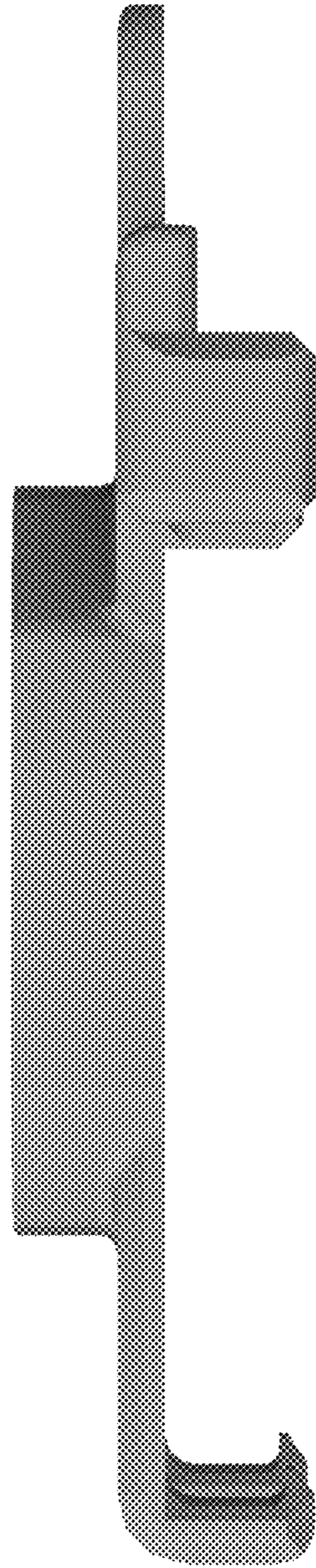
*FIG. 3*



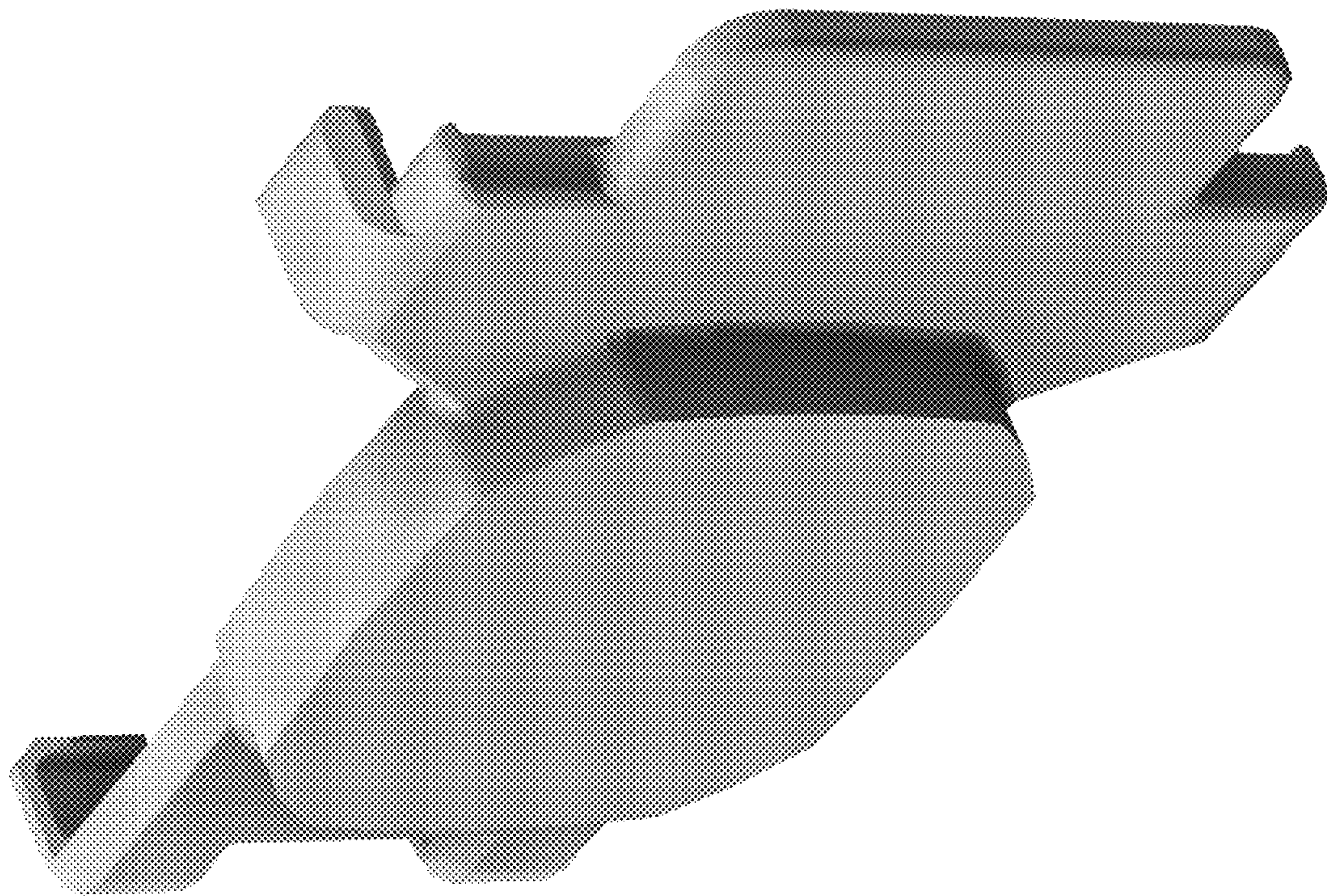
*FIG. 4*



*FIG. 5*

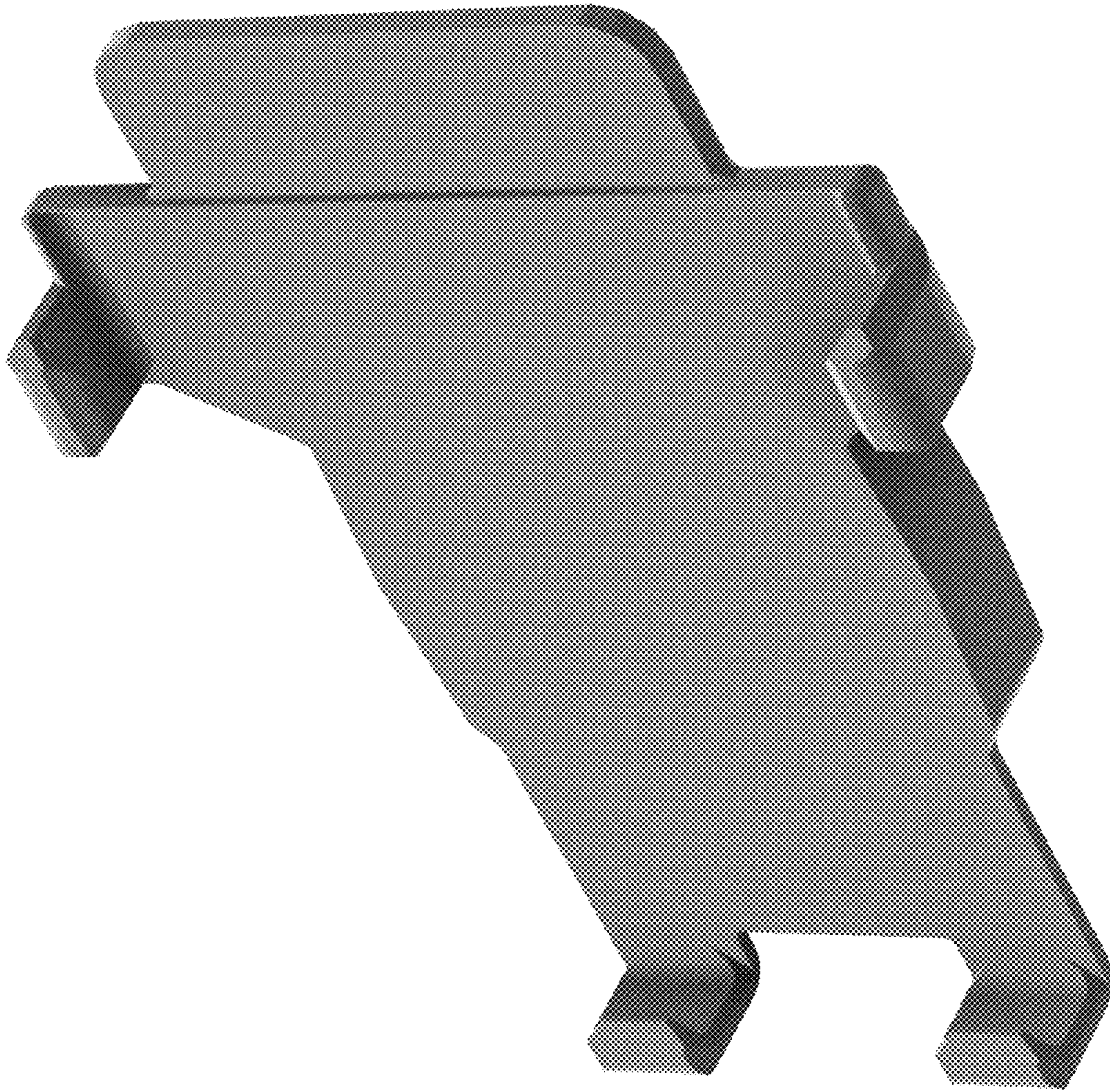


*FIG. 6*



*FIG. 7*





*FIG. 8*