

US00D959440S

(12) **United States Design Patent** (10) **Patent No.:** **US D959,440 S**
Jia (45) **Date of Patent:** **** Aug. 2, 2022**

(54) **LAPTOP STAND**

(71) Applicant: **SHENZHEN BESTQI INNOVATION TECHNOLOGY CO., LTD**, Shenzhen (CN)

(72) Inventor: **Daqiang Jia**, Shenzhen (CN)

(73) Assignee: **SHENZHEN BESTQI INNOVATION TECHNOLOGY CO., LTD**, Shenzhen (CN)

(**) Term: **15 Years**

(21) Appl. No.: **29/771,735**

(22) Filed: **Feb. 25, 2021**

(51) **LOC (13) Cl.** **14-02**

(52) **U.S. Cl.**
USPC **D14/447**

(58) **Field of Classification Search**
USPC D14/251, 252, 432, 434, 440, 447, 451, D14/452, 457; D6/300, 309, 312, 406.3, D6/406.4, 406.5, 406.6; D19/91, 113; D8/349, 354, 355, 363, 373, 380
CPC A47B 2023/049; A47B 2097/006; A47B 23/04; A47B 23/043; A47B 23/044
See application file for complete search history.

(56) **References Cited**

U.S. PATENT DOCUMENTS

D906,347 S *	12/2020	Yang	D14/447
D907,644 S *	1/2021	Li	D14/447
D920,332 S *	5/2021	Du	D14/375
D920,338 S *	5/2021	Chen	D14/447
D923,632 S *	6/2021	Li	D14/447
D938,433 S *	12/2021	Huang	D14/447
D943,597 S *	2/2022	Feng	D14/447
D944,039 S *	2/2022	Shi	D14/447
D944,807 S *	3/2022	Luo	D14/447
D944,808 S *	3/2022	Wang	D14/447
D944,809 S *	3/2022	Wang	D14/447

D946,003 S *	3/2022	Gao	D14/447
D950,568 S *	5/2022	Xiong	D14/447
D951,960 S *	5/2022	Shen	D14/447
2018/0132636 A1 *	5/2018	Chen	A47B 23/043

FOREIGN PATENT DOCUMENTS

CN 306753174 * 8/2021

OTHER PUBLICATIONS

Amazon.com_Besign LS10 Aluminum Laptop Stand, first available Jun. 12, 2020 [online], retrieved May 5, 2022, available at URL: https://www.amazon.com/dp/B08CT8575Z/ref=sspa_dk_detail_1 (Year: 2020).*

* cited by examiner

Primary Examiner — Wendy L Arminio

Assistant Examiner — Carrie S Gelula

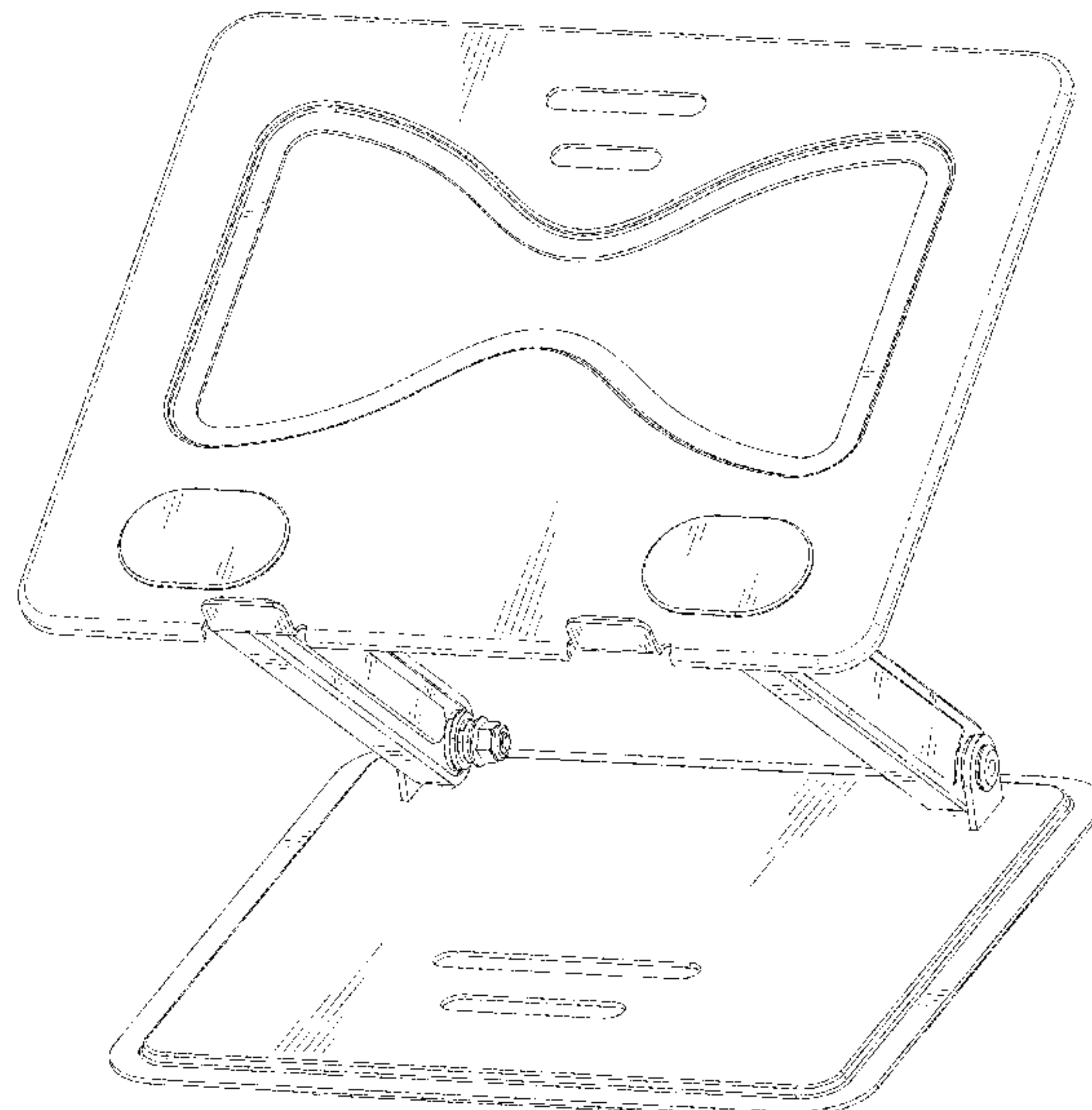
(57) **CLAIM**

The ornamental design for a laptop stand, as shown and described.

DESCRIPTION

FIG. 1 is a perspective view of a laptop stand showing my new design;
FIG. 2 is another perspective view thereof;
FIG. 3 is a front elevational view thereof;
FIG. 4 is a rear elevational view thereof;
FIG. 5 is a left side elevational view thereof;
FIG. 6 is a right side elevational view thereof;
FIG. 7 is a top plan view thereof;
FIG. 8 is a bottom plan view thereof; and,
FIG. 9 is a perspective view of the laptop stand where the laptop stand is in a folded state.
The broken lines in the drawings depict portions of the laptop stand that form no part of the claimed design.

1 Claim, 9 Drawing Sheets



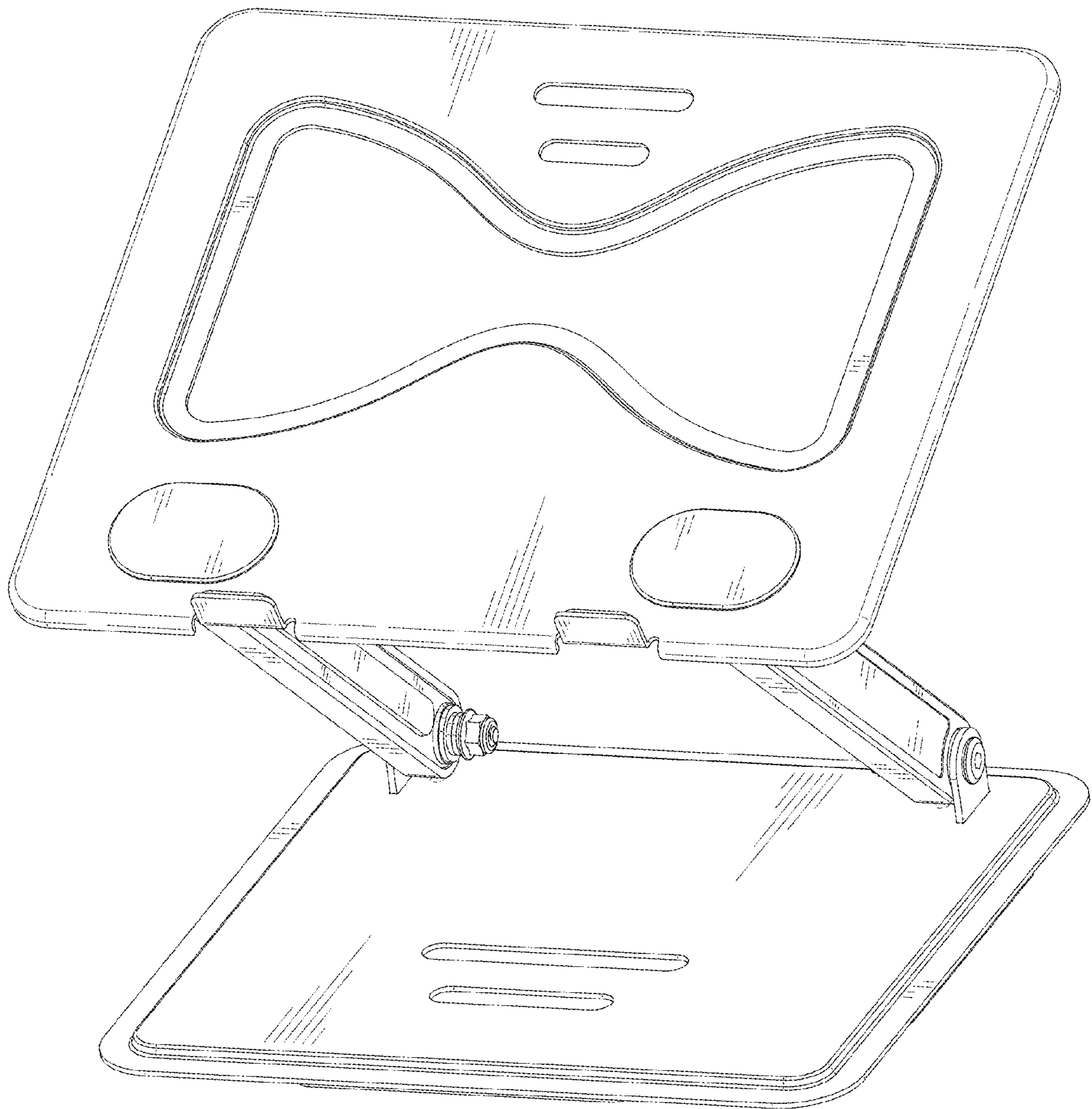


FIG. 1

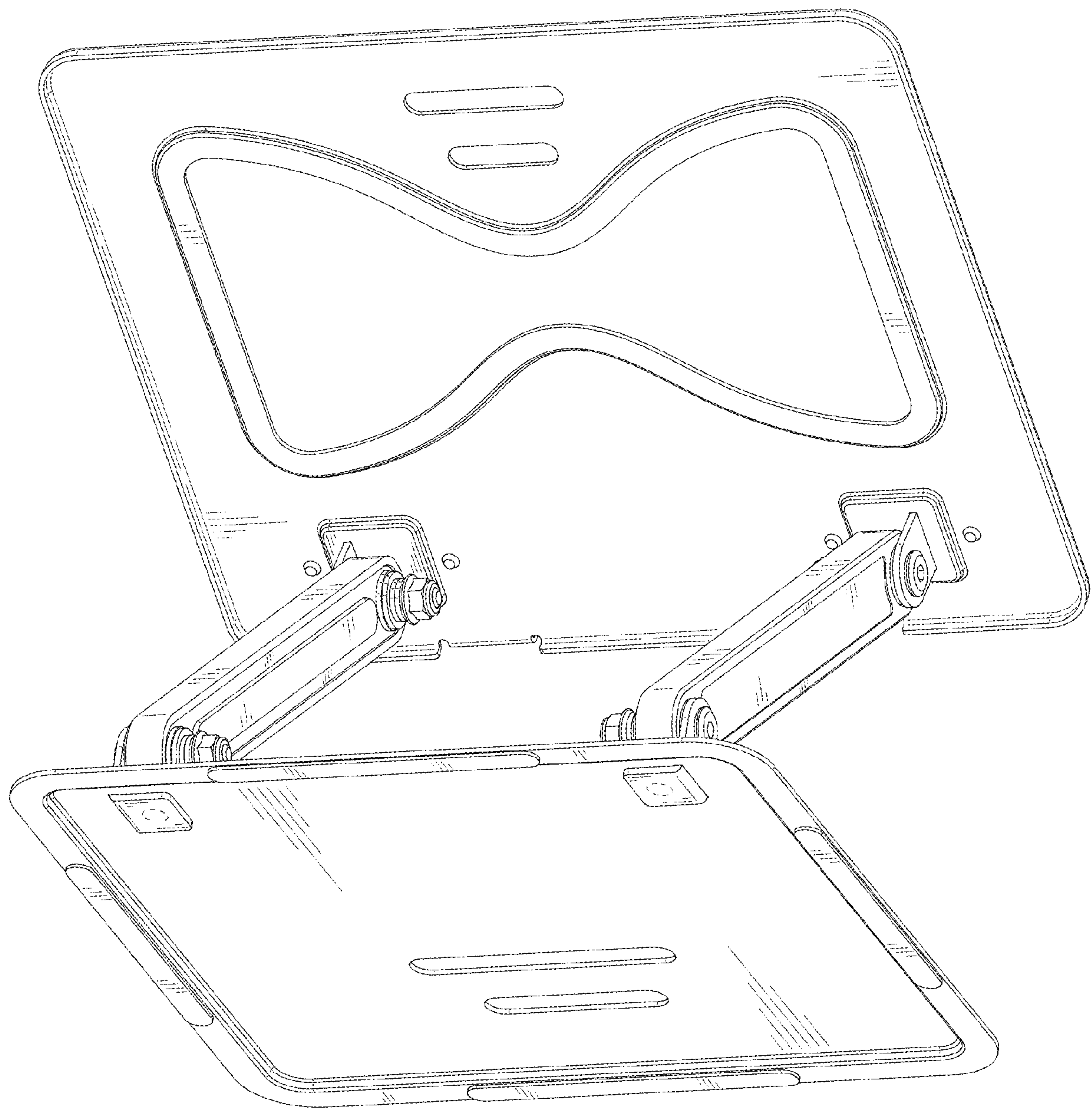


FIG. 2

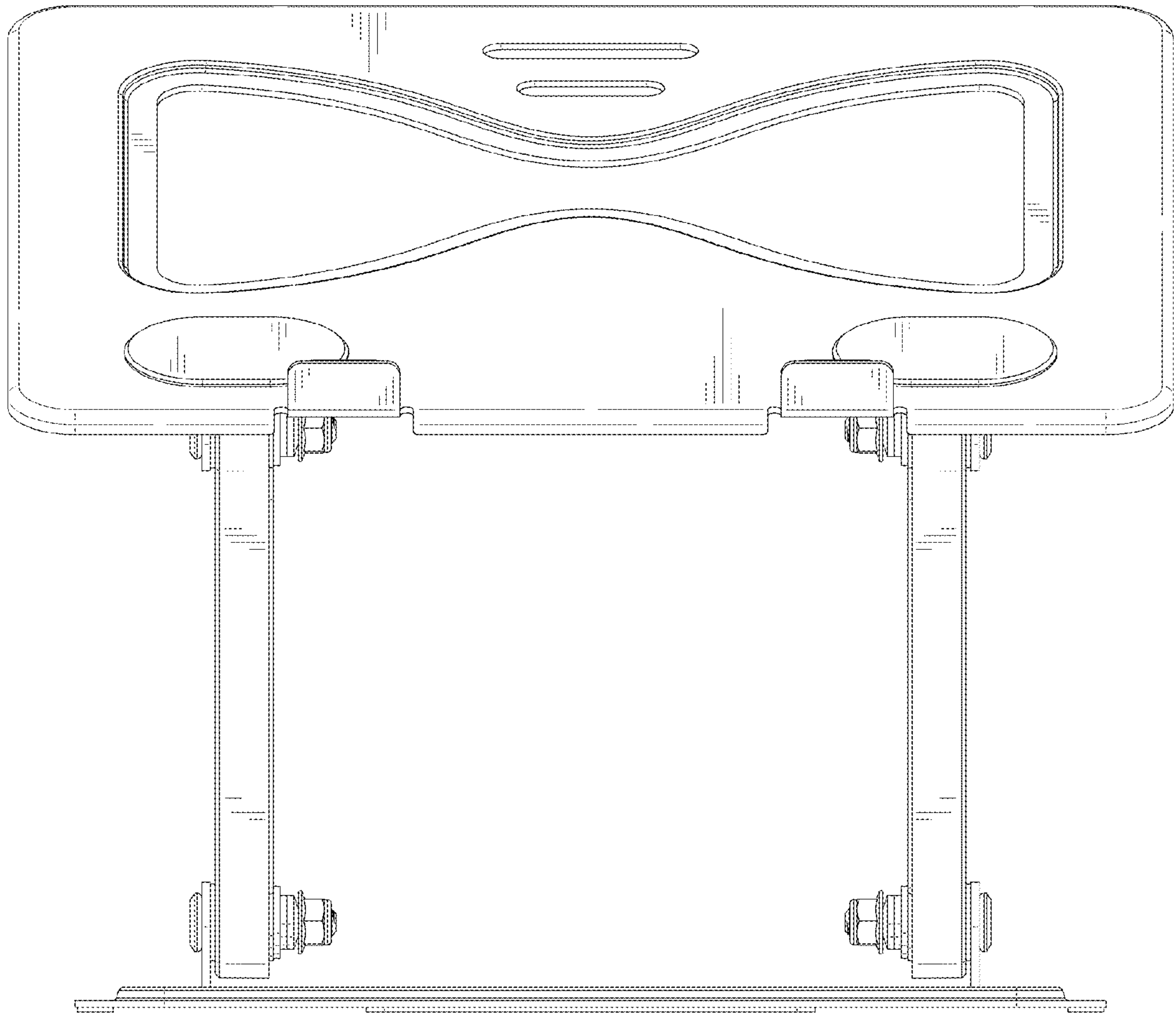


FIG. 3

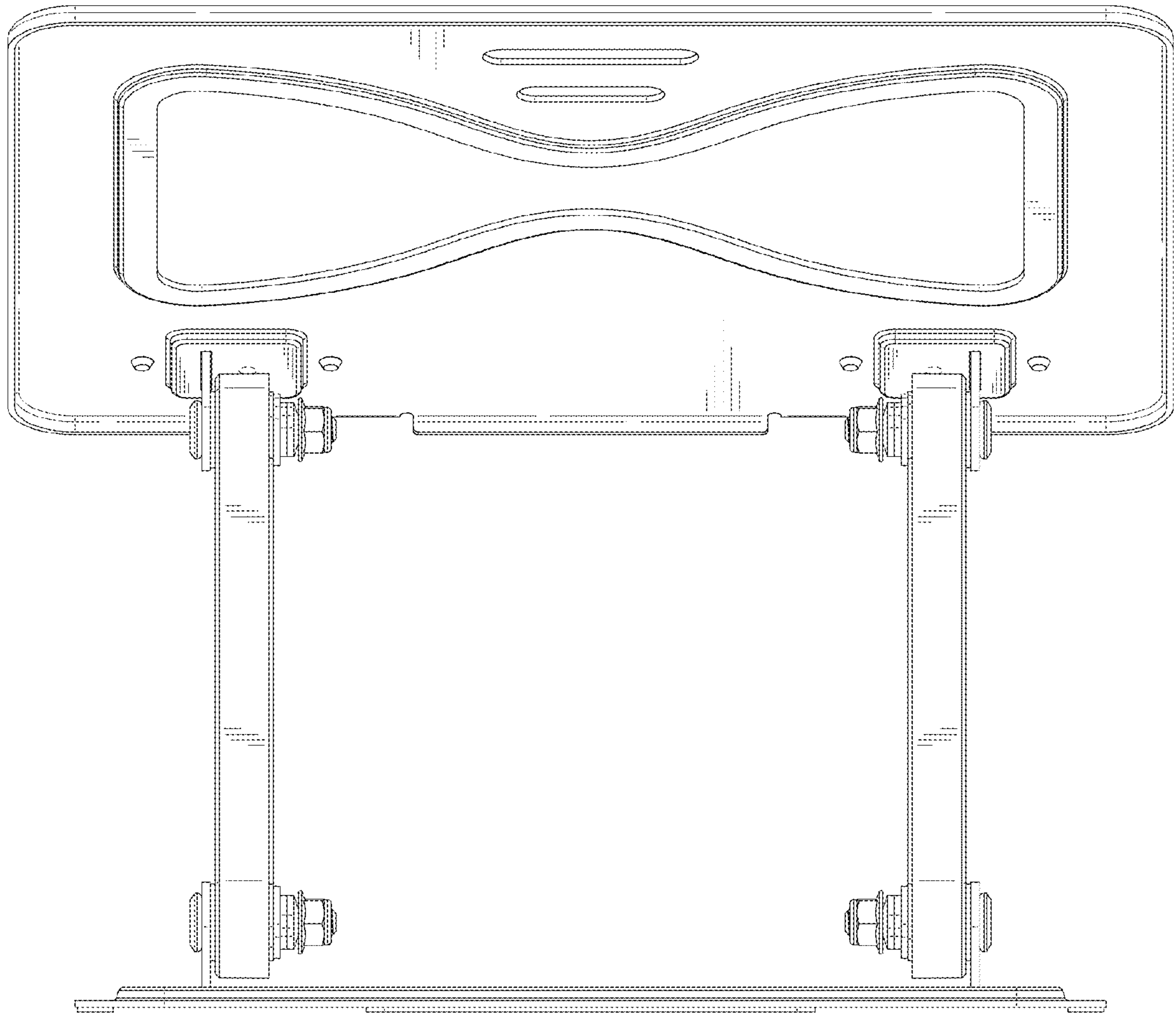


FIG. 4

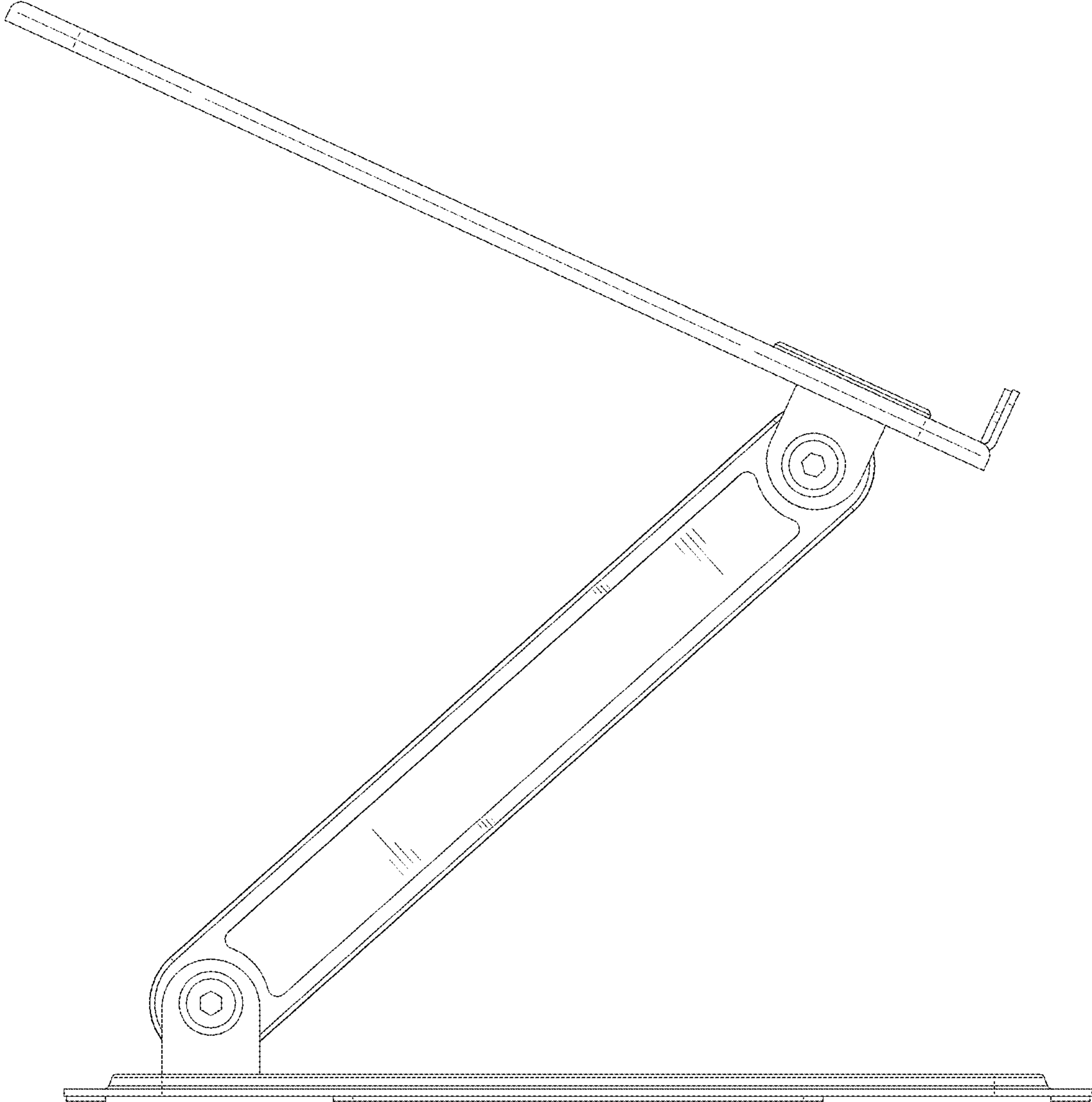


FIG. 5

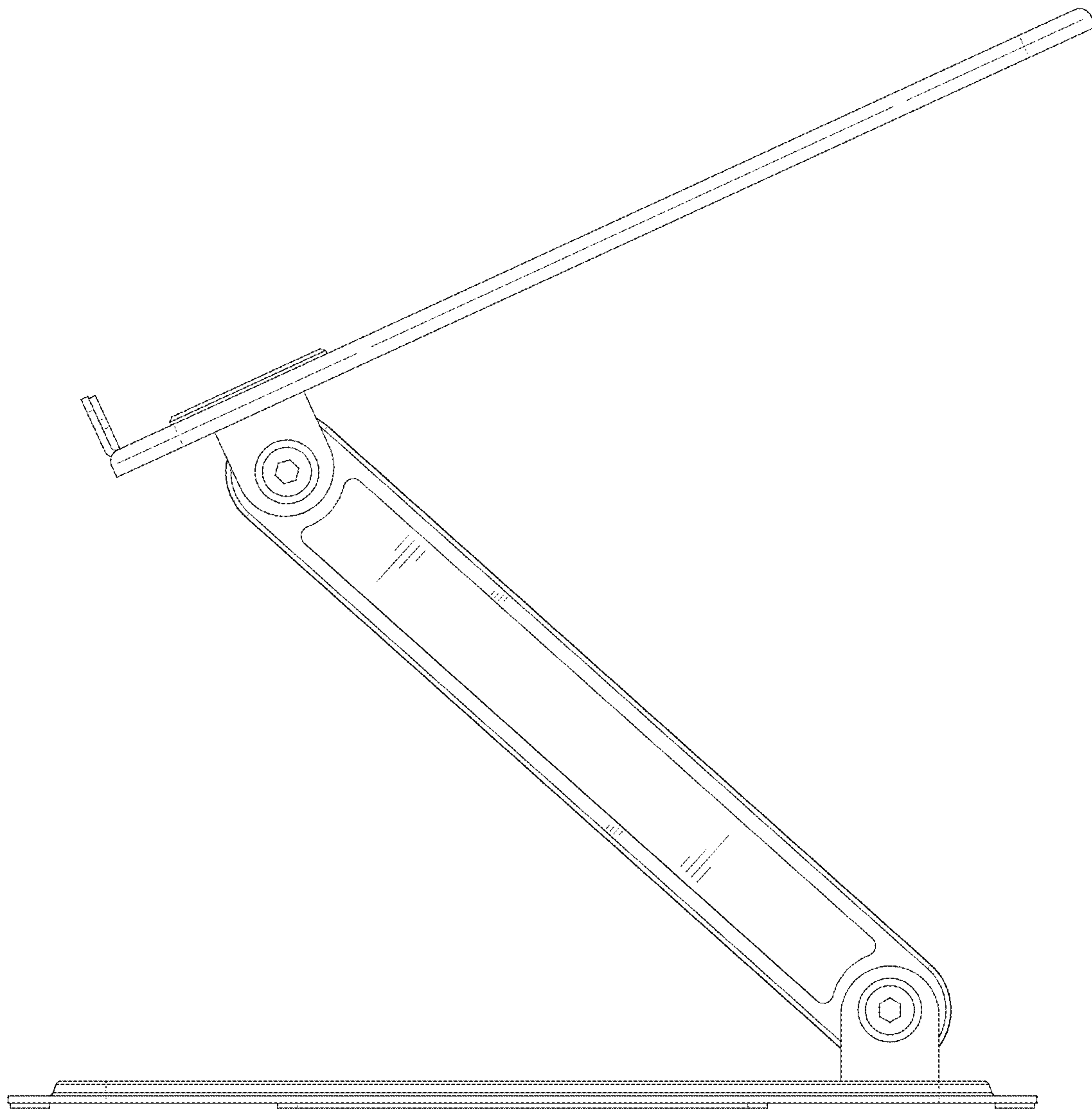


FIG. 6

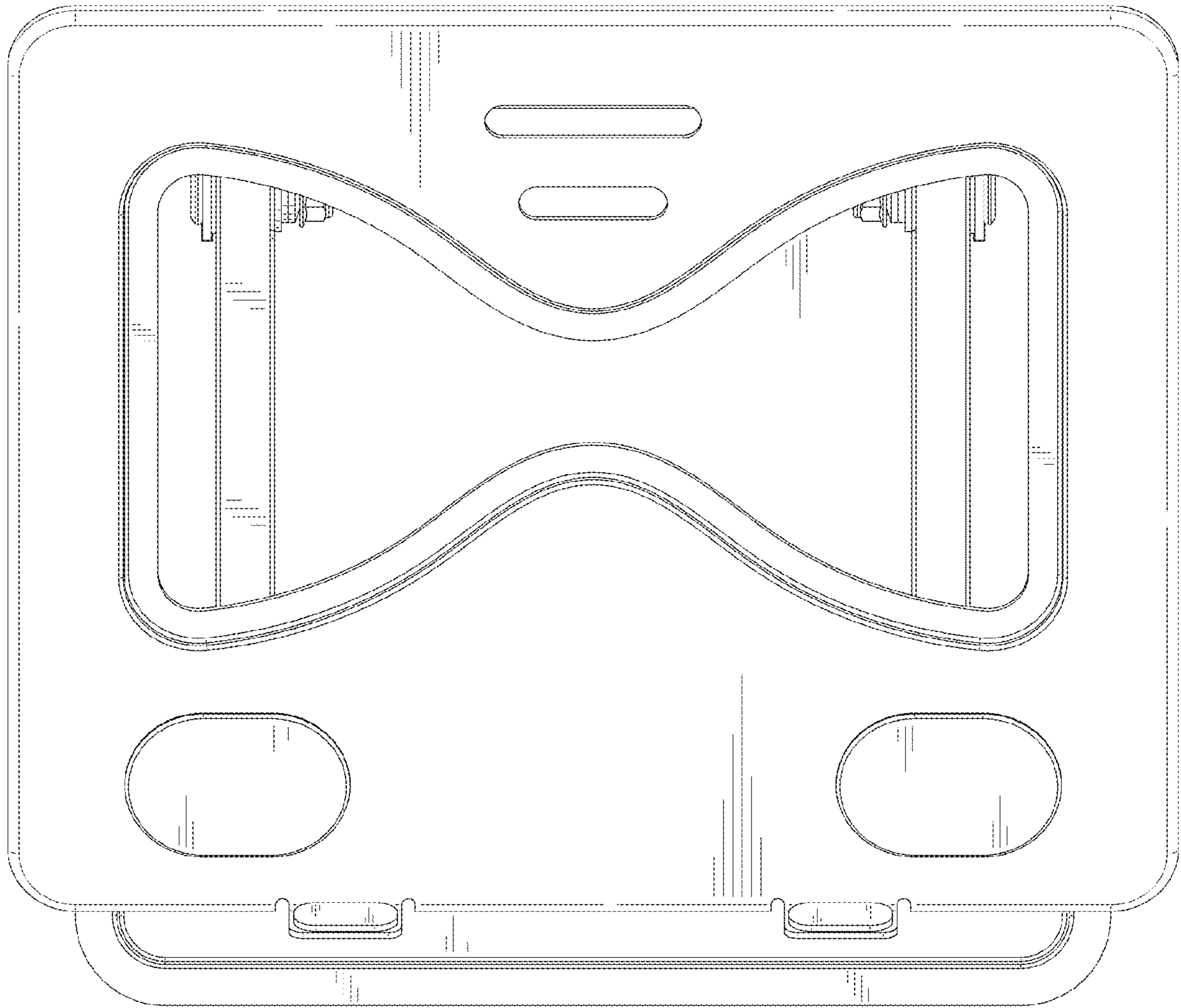


FIG. 7

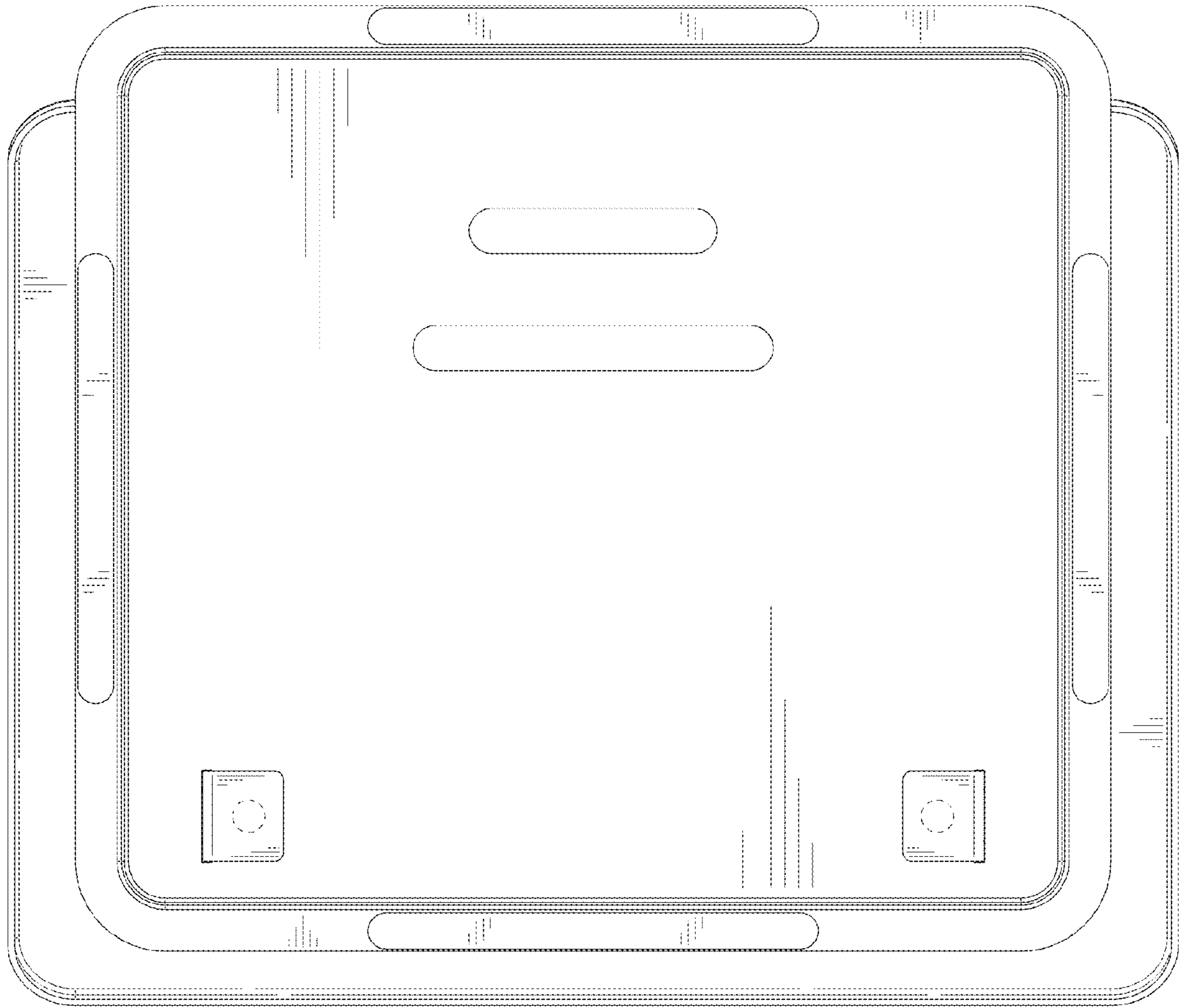


FIG. 8

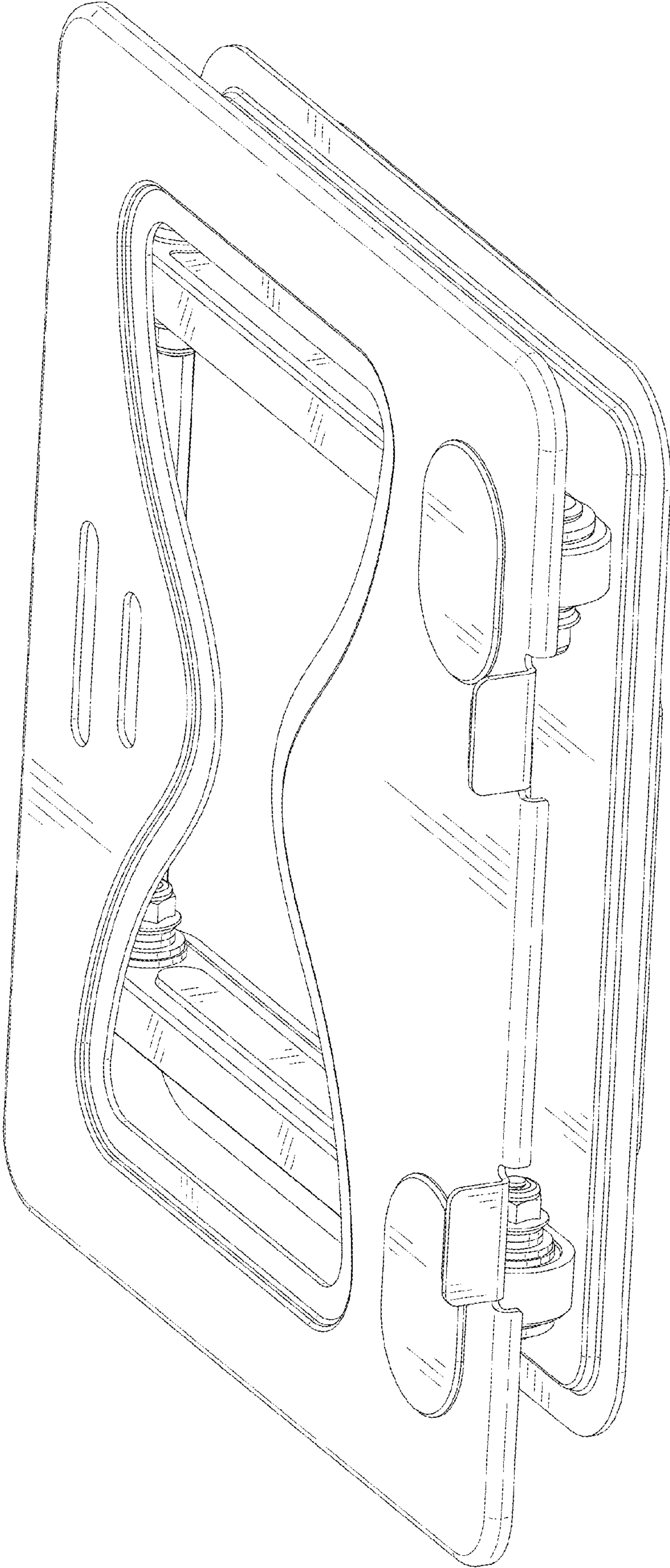


FIG. 9