



US00D959439S

(12) **United States Design Patent** (10) **Patent No.:** **US D959,439 S**
Blevins et al. (45) **Date of Patent:** **** Aug. 2, 2022**

(54) **DEVICE FOR HOLDING PORTABLE ELECTRONICS**

(71) Applicant: **Nbryte, LLC**, Carson, CA (US)

(72) Inventors: **Conrad Scott Blevins**, Carson, CA (US); **Daniel Michel**, Carson, CA (US)

(73) Assignee: **NBRYTE, LLC**, Carson, CA (US)

(**) Term: **15 Years**

(21) Appl. No.: **29/757,994**

(22) Filed: **Nov. 11, 2020**

(51) **LOC (13) Cl.** **14-02**

(52) **U.S. Cl.**
 USPC **D14/447**

(58) **Field of Classification Search**
 USPC D14/371–382, 125–129, 336, 337, D14/447–452, 492, 335, 376–382, 239, D14/457, 439–441, 432, 251–253; D8/349, 354, 363, 373, 376, 380; D21/333; D12/415; D3/218; 348/180, 348/184, 325, 739, 825
 CPC G06F 3/0412; G06F 3/016; G06F 3/0488; G06F 3/011; G06F 3/038; G06F 3/03543; G06F 3/0338; G06F 3/0202; G06F 3/0219; G06F 3/0213; G06F 1/1616; G06F 3/023; G06F 3/04883; G02F 1/13338; G02F 1/1313; G02F 1/1333; G02F 1/135; G02F 1/132; G02F 1/133308; G02F 1/134309; G02F 1/13718; G09G 3/3648; G06K 15/1252; B41J 2/465; G03F 7/70291; G02B 27/0172; G02B 5/30; G02B 2027/0118; G02B 27/0101; F16M 13/02; F16M 13/00; F16M 11/10; F16M 11/04; F16M 2200/08; F16M 11/2021; A47B 21/0314; A47B 88/044; A47B 2021/0335; H02G 3/126; F16B 47/00; F16B 47/006; A47G 1/17; A47K 2201/00

See application file for complete search history.

(56) **References Cited**

U.S. PATENT DOCUMENTS

1,469,212	A *	10/1923	De Pew	A47B 97/08 232/1 C
2,844,897	A *	7/1958	Vance, Jr.	E01F 9/688 248/166
3,467,259	A *	9/1969	Silver	A47B 97/04 211/74
D757,019	S *	5/2016	Pitteri	D14/447
D822,109	S *	7/2018	Avallon	D19/114
D840,381	S *	2/2019	Lee	D14/239
D861,786	S *	10/2019	Won	D19/114
D886,821	S *	6/2020	Escolin	D19/114
D896,192	S *	9/2020	Ren	D19/114
D913,370	S *	3/2021	Hwang	D19/114
D927,928	S *	8/2021	Dahle	D6/684
D938,432	S *	12/2021	Driscoll	D14/447

(Continued)

Primary Examiner — Katie Jane Stofko
 (74) *Attorney, Agent, or Firm* — Hodgson Russ LLP

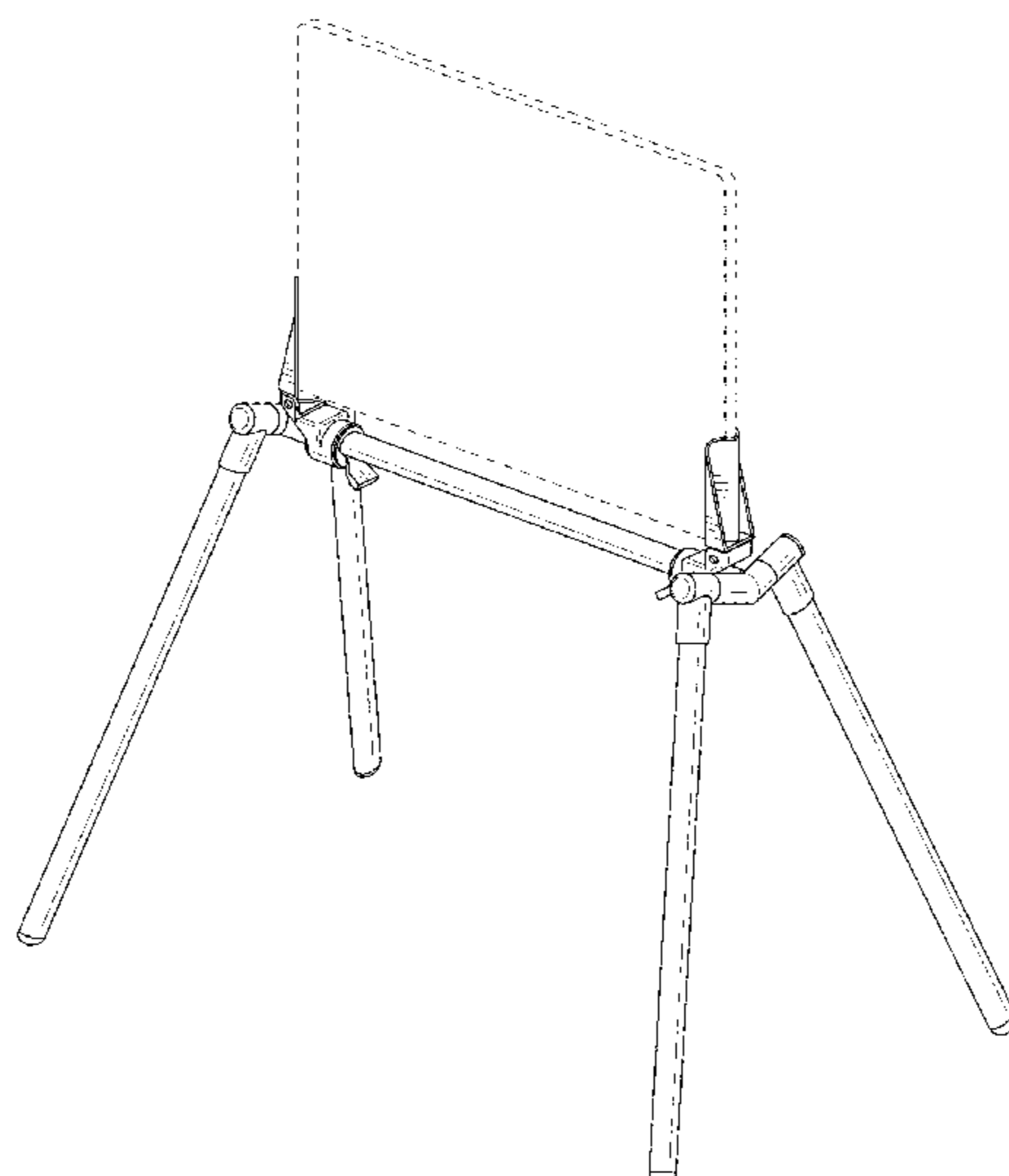
(57) **CLAIM**

The ornamental design for a device for holding portable electronics, as shown and described.

DESCRIPTION

FIG. 1 a perspective view of a device for holding portable electronics, showing our new design;
 FIG. 2 is a front elevation view thereof;
 FIG. 3 is a rear elevation view thereof;
 FIG. 4 is a left side elevation view thereof;
 FIG. 5 is a right side elevation view thereof;
 FIG. 6 is a top plan view thereof; and,
 FIG. 7 is a bottom plan view thereof.
 The broken lines shown in FIGS. 1-6 illustrate the environment of the claimed design and form no part thereof.

1 Claim, 7 Drawing Sheets



(56)

References Cited

U.S. PATENT DOCUMENTS

D940,238 S * 1/2022 Hyun G06F 3/044
D19/114

* cited by examiner

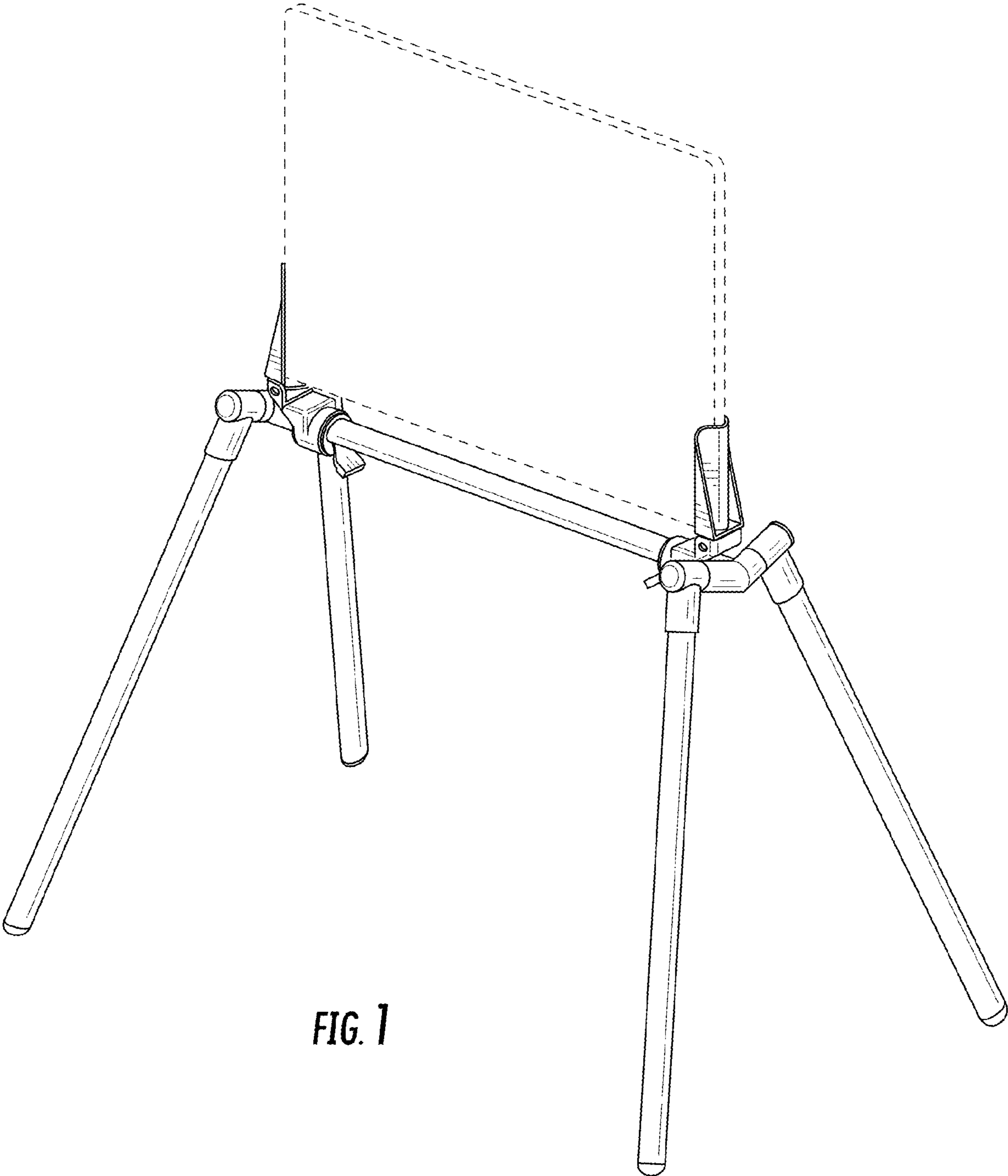


FIG. 1

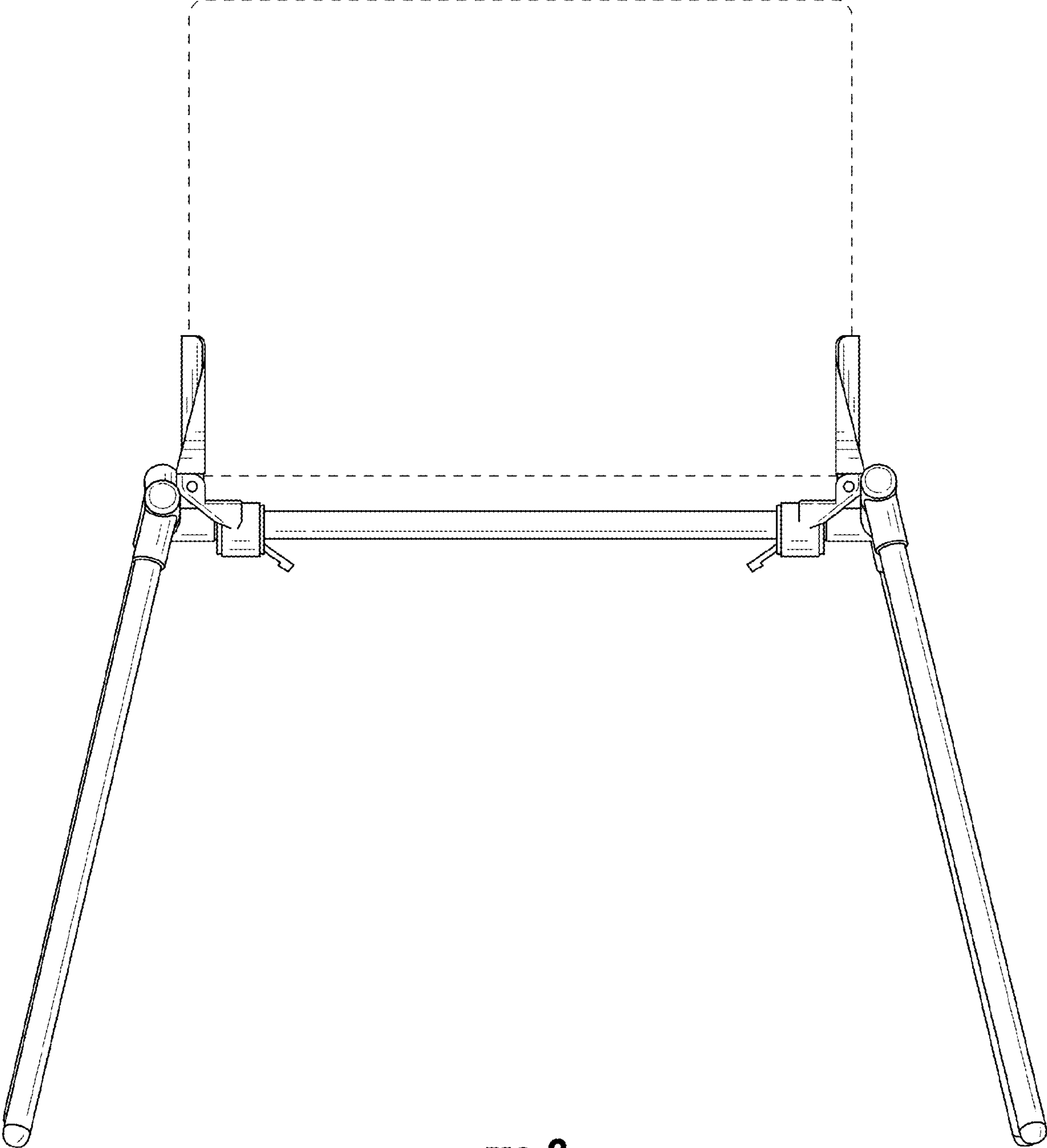


FIG. 2

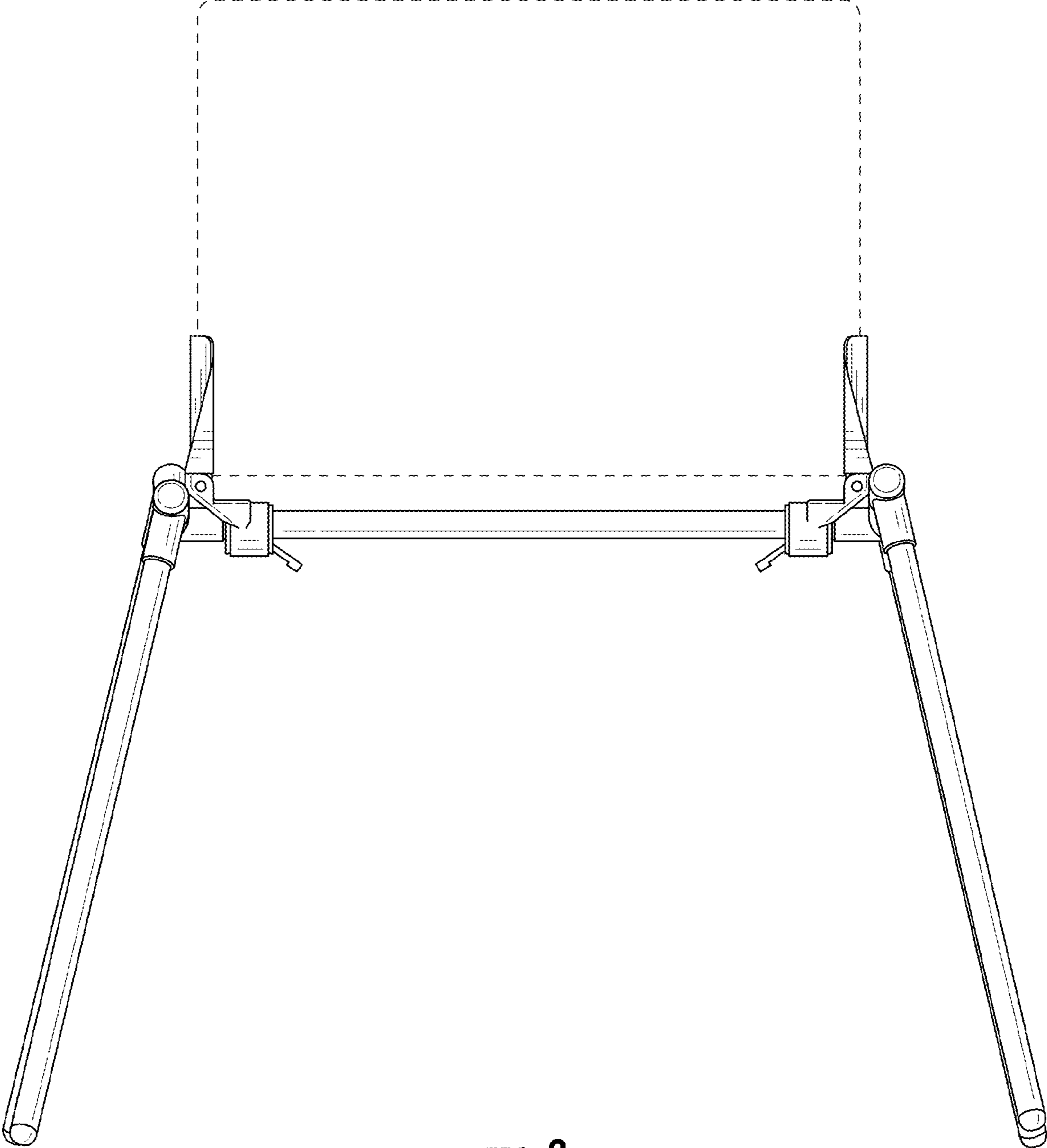


FIG. 3

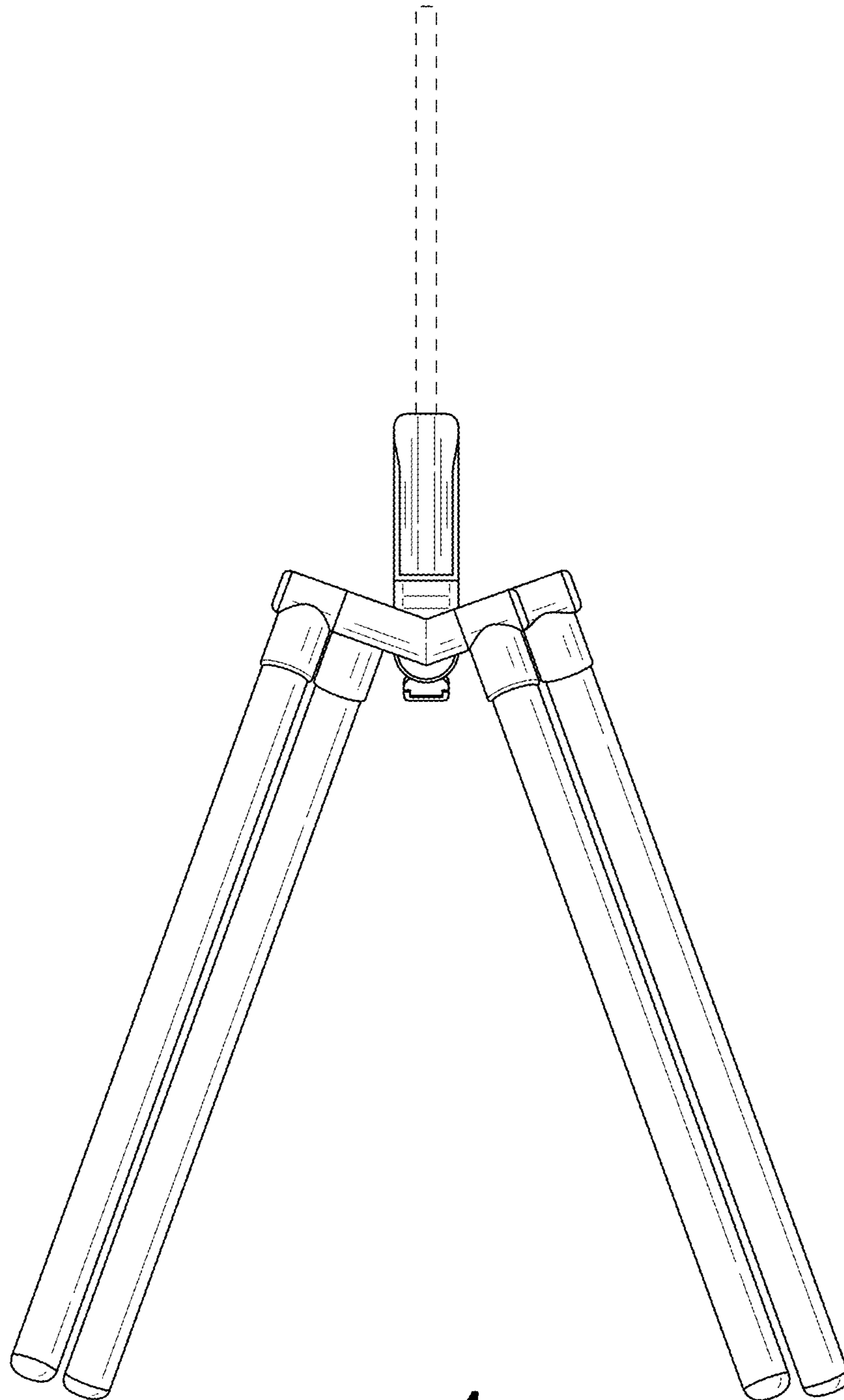


FIG. 4

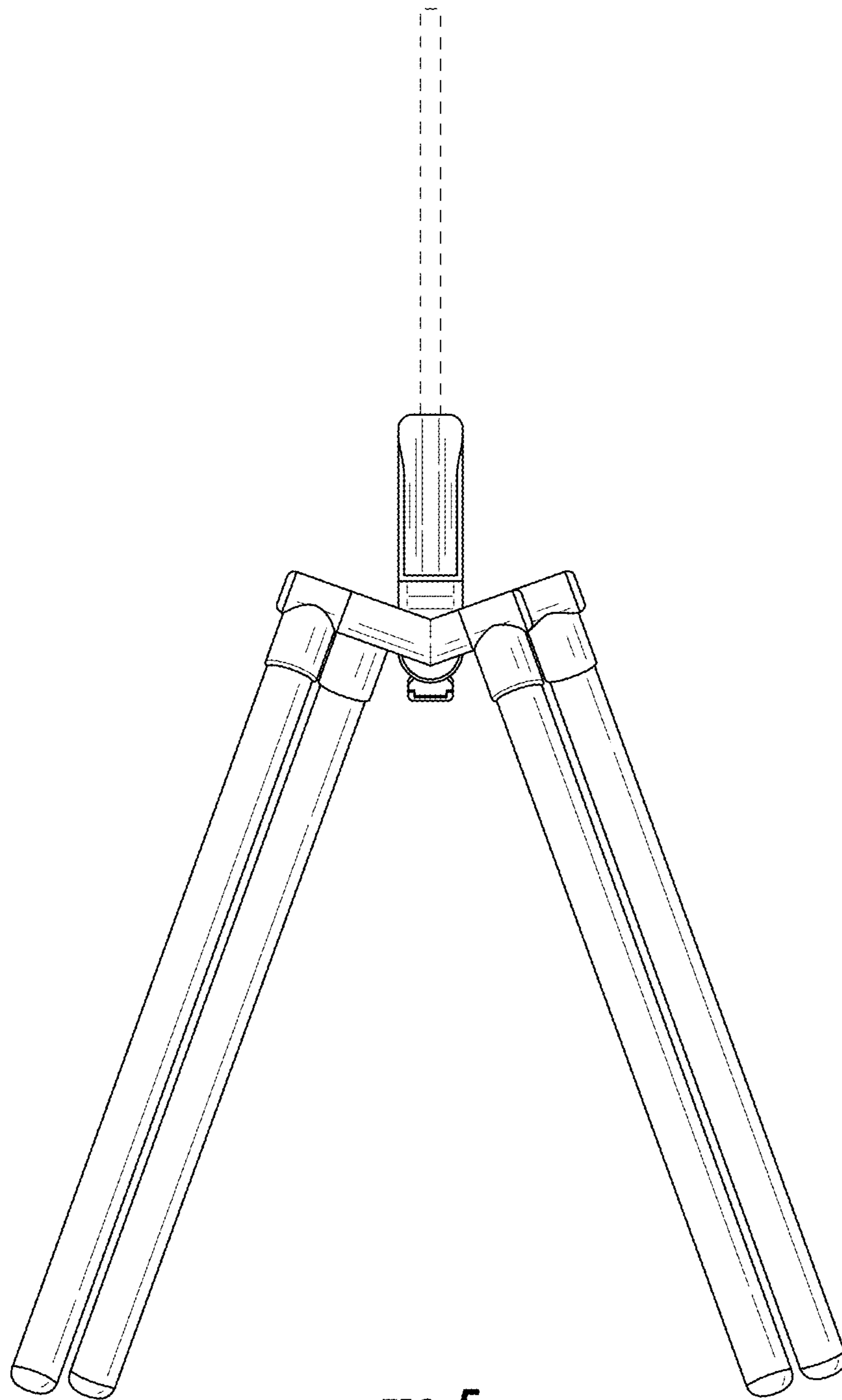


FIG. 5

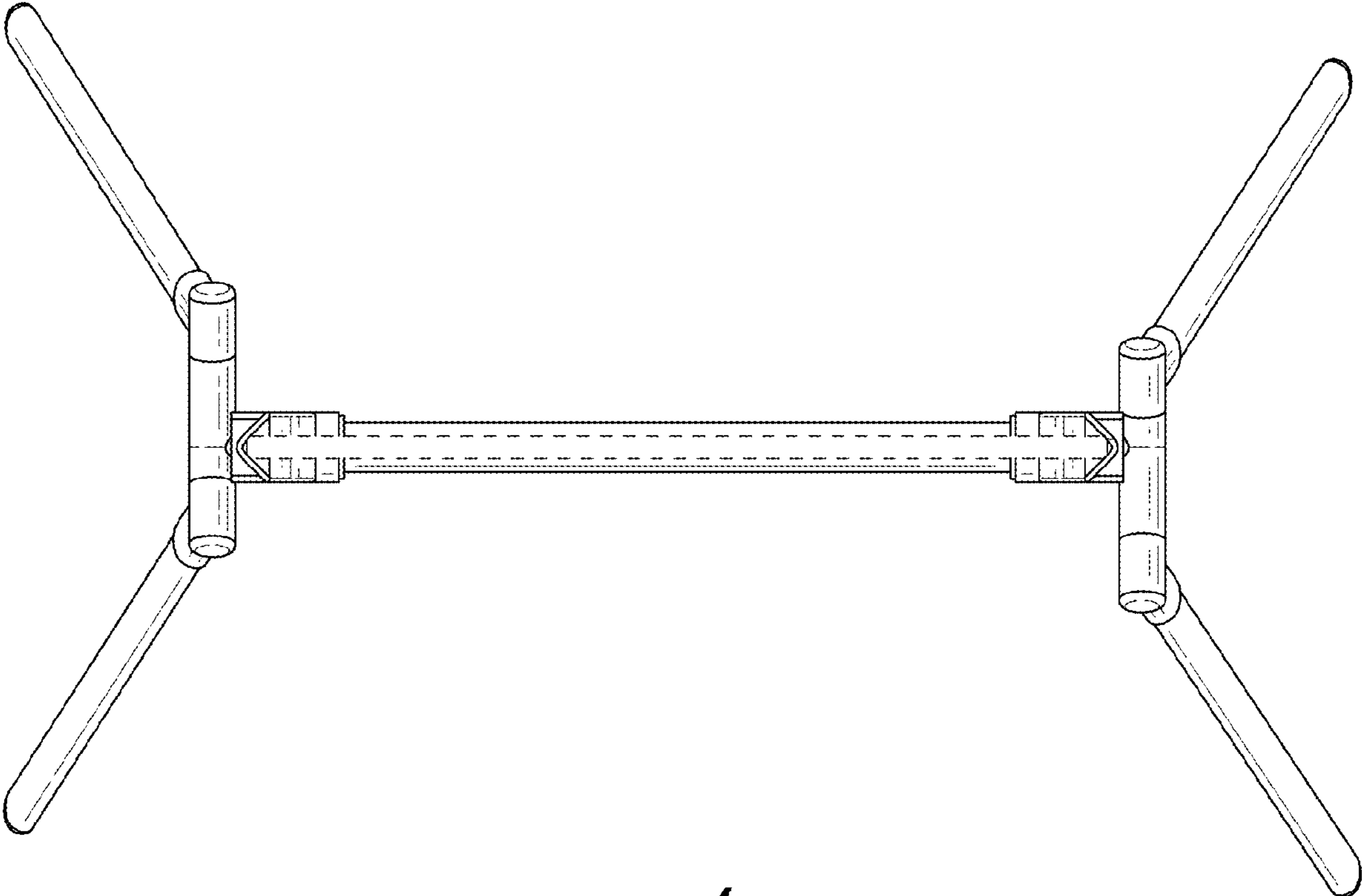


FIG. 6

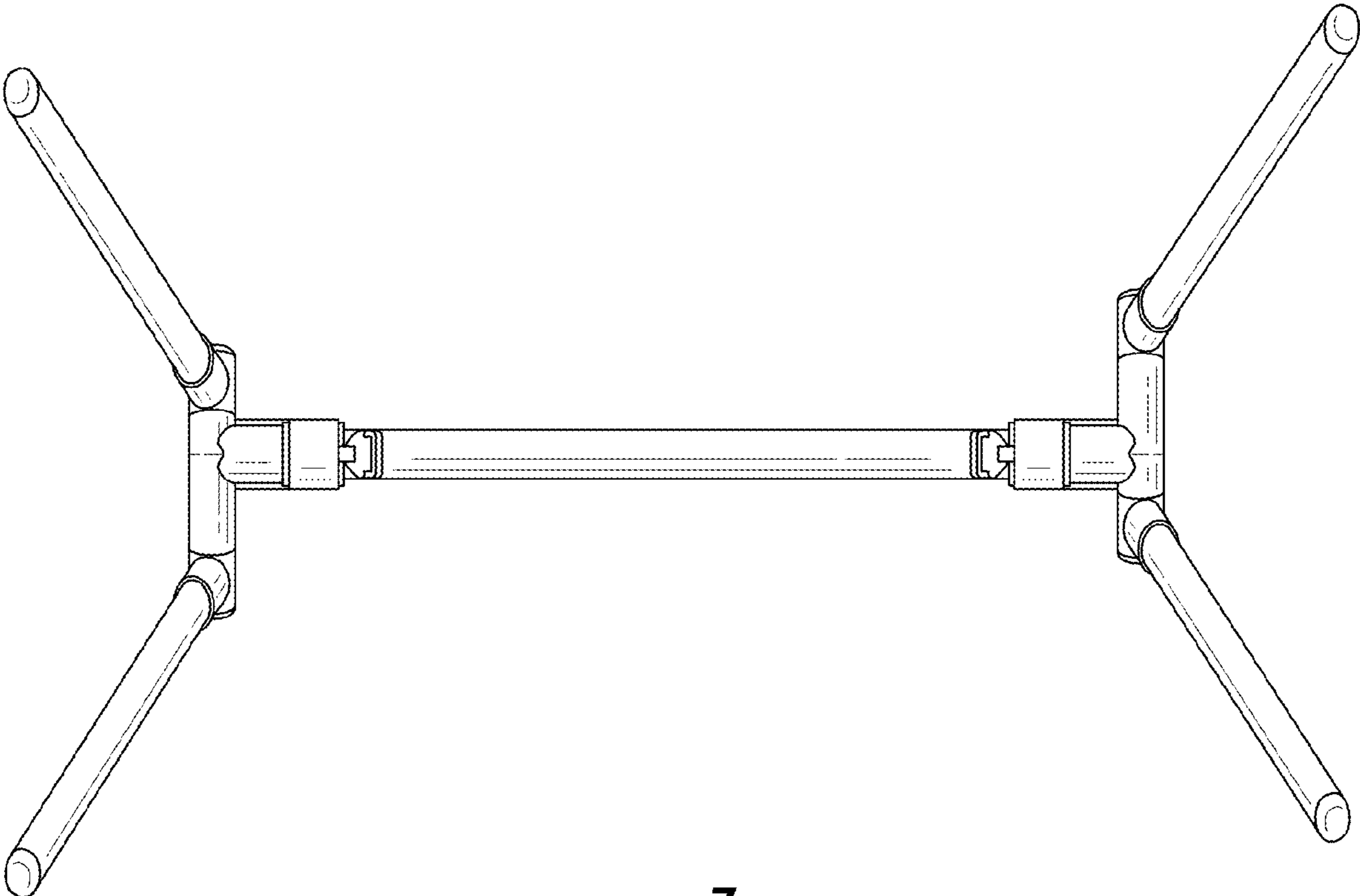


FIG. 7