



US00D959438S

(12) **United States Design Patent** (10) **Patent No.:** **US D959,438 S**
Wu (45) **Date of Patent:** **** Aug. 2, 2022**

(54) **EARPHONE CASE**
(71) Applicant: **Shenzhen Tuoweisi Technology Co., Ltd.**, Shenzhen (CN)
(72) Inventor: **Kaiwei Wu**, Shaoguan (CN)
(**) Term: **15 Years**
(21) Appl. No.: **29/816,435**
(22) Filed: **Nov. 22, 2021**
(51) **LOC (13) Cl.** **14-02**
(52) **U.S. Cl.**
USPC **D14/440**
(58) **Field of Classification Search**
USPC D14/440, 447, 250; 206/45.23, 320,
206/45.2; 361/679.55; 294/25; 224/218;
D3/294, 321; D9/420
CPC G06F 1/1628; G06F 1/1626; A47B 23/044
See application file for complete search history.

D870,451 S * 12/2019 Birger D3/201
D872,094 S * 1/2020 Wright D14/440
D872,468 S * 1/2020 Lee D3/269
D872,469 S * 1/2020 Lee D3/269
D873,217 S * 1/2020 Zhang D13/108
D874,826 S * 2/2020 Zhang D3/303
D878,045 S * 3/2020 Akana D3/274
D878,754 S * 3/2020 Lee D3/270
D881,179 S * 4/2020 Wright D14/250
D881,572 S * 4/2020 Wang D3/294
D888,039 S * 6/2020 Wright D14/250
D888,040 S * 6/2020 Wright D14/250
D888,041 S * 6/2020 Wright D14/250
D888,042 S * 6/2020 Wright D14/250
D888,043 S * 6/2020 Wright D14/250
D892,497 S * 8/2020 Wright D3/294
D892,498 S * 8/2020 Wright D3/294
D902,854 S 11/2020 Feng
D911,711 S * 3/2021 Feng D3/294
D914,603 S * 3/2021 Wang D3/321

(Continued)

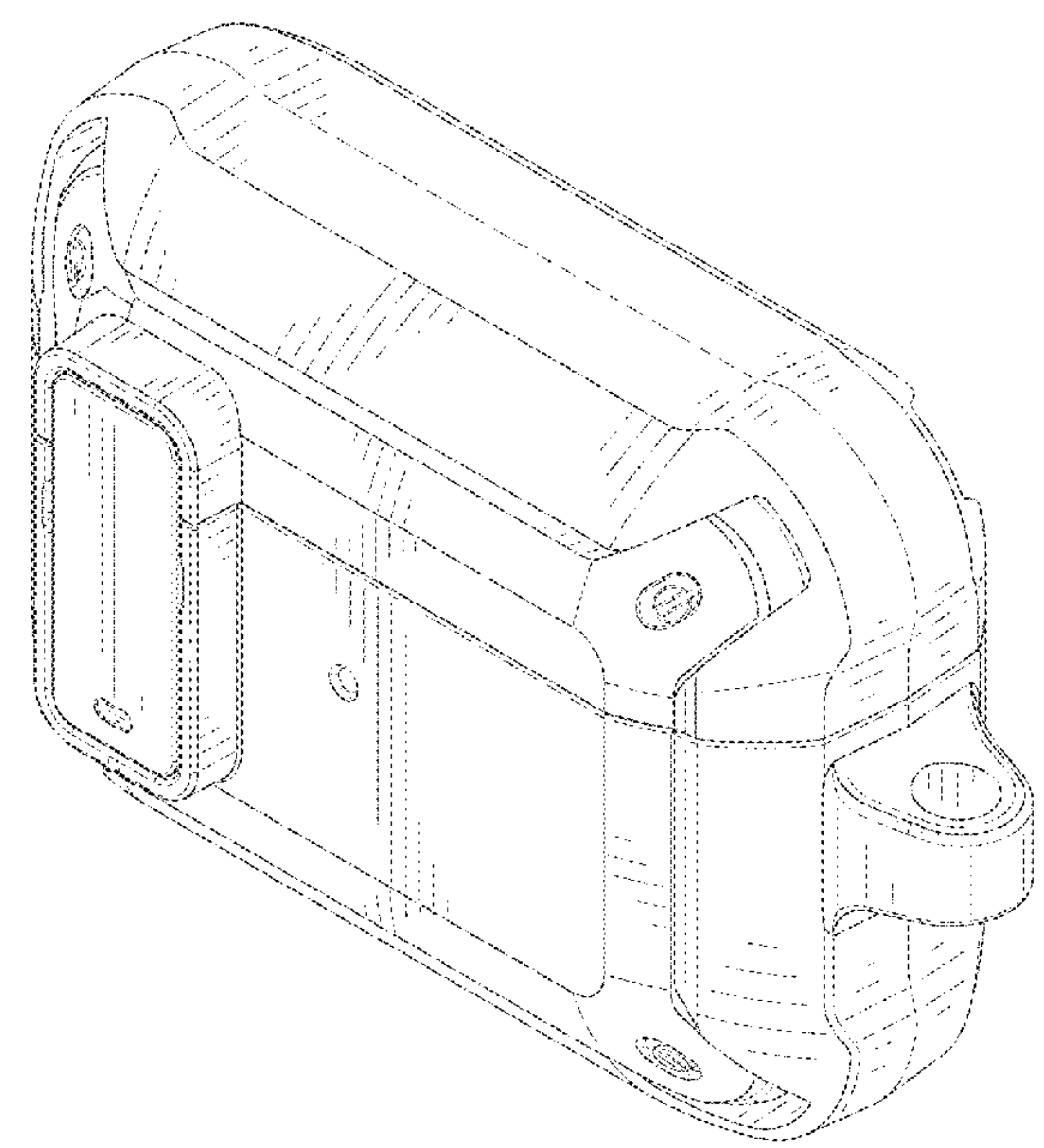
Primary Examiner — Cynthia R Underwood

(56) **References Cited**
U.S. PATENT DOCUMENTS
D467,799 S * 12/2002 Persson D9/420
D648,980 S * 11/2011 Forti D7/363
D731,178 S * 6/2015 Gorouvein D3/265
D775,818 S * 1/2017 Ingraham D3/218
D838,480 S * 1/2019 Son D3/294
D841,580 S * 2/2019 Bao D13/108
D841,581 S * 2/2019 Bonahoom D13/108
D849,401 S * 5/2019 Akana D3/274
D862,425 S * 10/2019 Yan D14/223
D862,435 S * 10/2019 Kwak D14/240
D864,110 S * 10/2019 Yoshimura D13/108
D864,971 S * 10/2019 Lee D14/440
D868,465 S * 12/2019 Lee D3/269
D869,147 S * 12/2019 Lian D3/201
D869,161 S * 12/2019 Zhong D3/294
D869,163 S * 12/2019 Maguire D3/301
D870,037 S * 12/2019 Lee D13/107

(57) **CLAIM**
The ornamental design for earphone case, substantially as shown and described.

DESCRIPTION
FIG. 1 is a top, front and right side perspective view of earphone case, showing my new design;
FIG. 2 is a bottom, rear and left side perspective view;
FIG. 3 is a front elevational view thereof;
FIG. 4 is a rear elevational view thereof;
FIG. 5 is a left side elevational view thereof;
FIG. 6 is a right side elevational view thereof;
FIG. 7 is a top plan view thereof; and,
FIG. 8 is a bottom plan view thereof.
The broken lines in the drawings illustrate the portions of the earphone case, which form no part of the claimed design.

1 Claim, 8 Drawing Sheets



(56)

References Cited

U.S. PATENT DOCUMENTS

D914,604 S * 3/2021 Wang D3/321
11,039,523 B2 * 6/2021 Wang H05B 47/12
D926,470 S * 8/2021 Luo D3/294
D927,181 S * 8/2021 Jung D3/294
D931,605 S * 9/2021 Zhu D3/273
D953,029 S * 5/2022 Lee D3/271.1
2020/0100573 A1 * 4/2020 Ekelund A45C 11/00

* cited by examiner

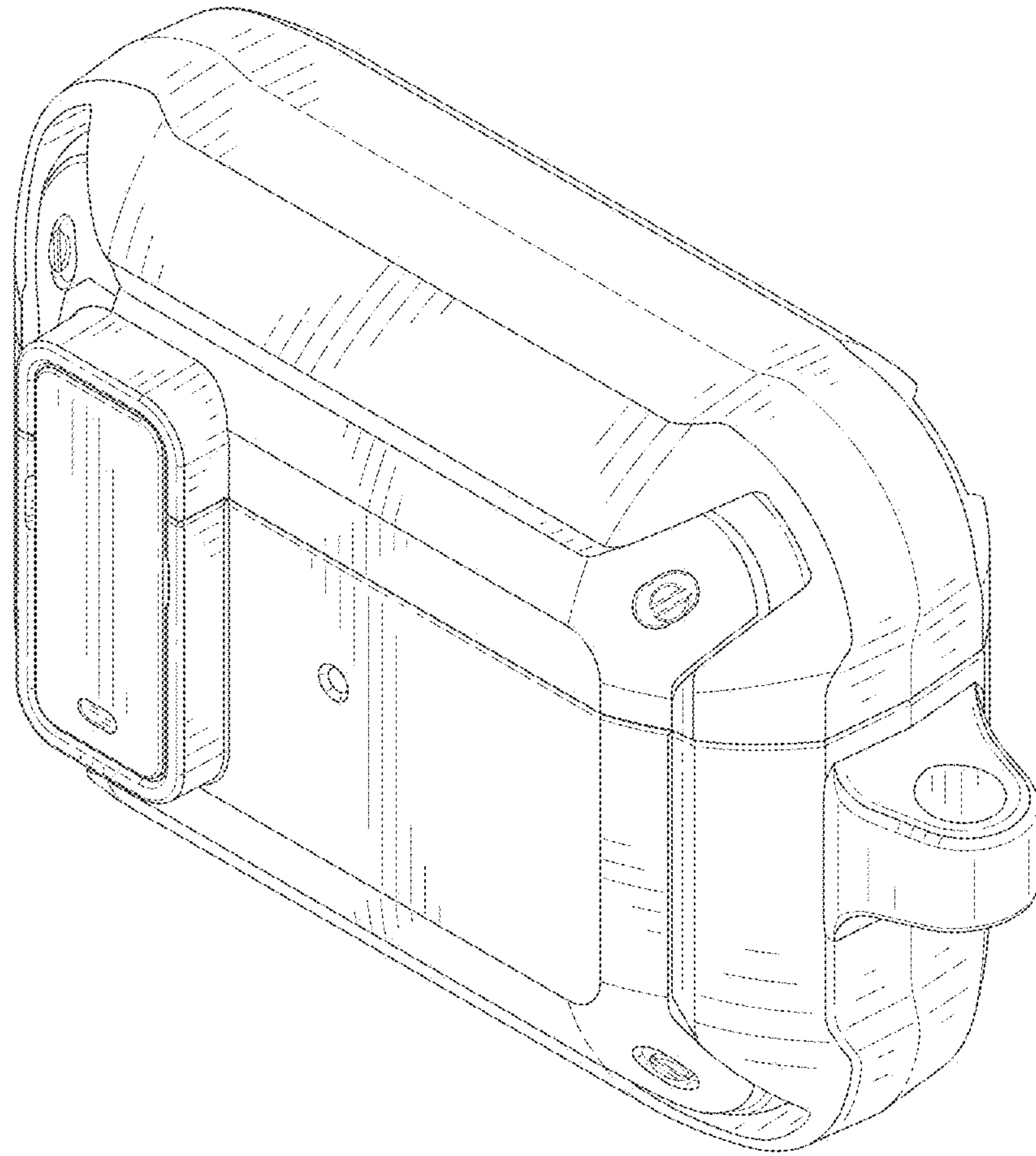


FIG. 1

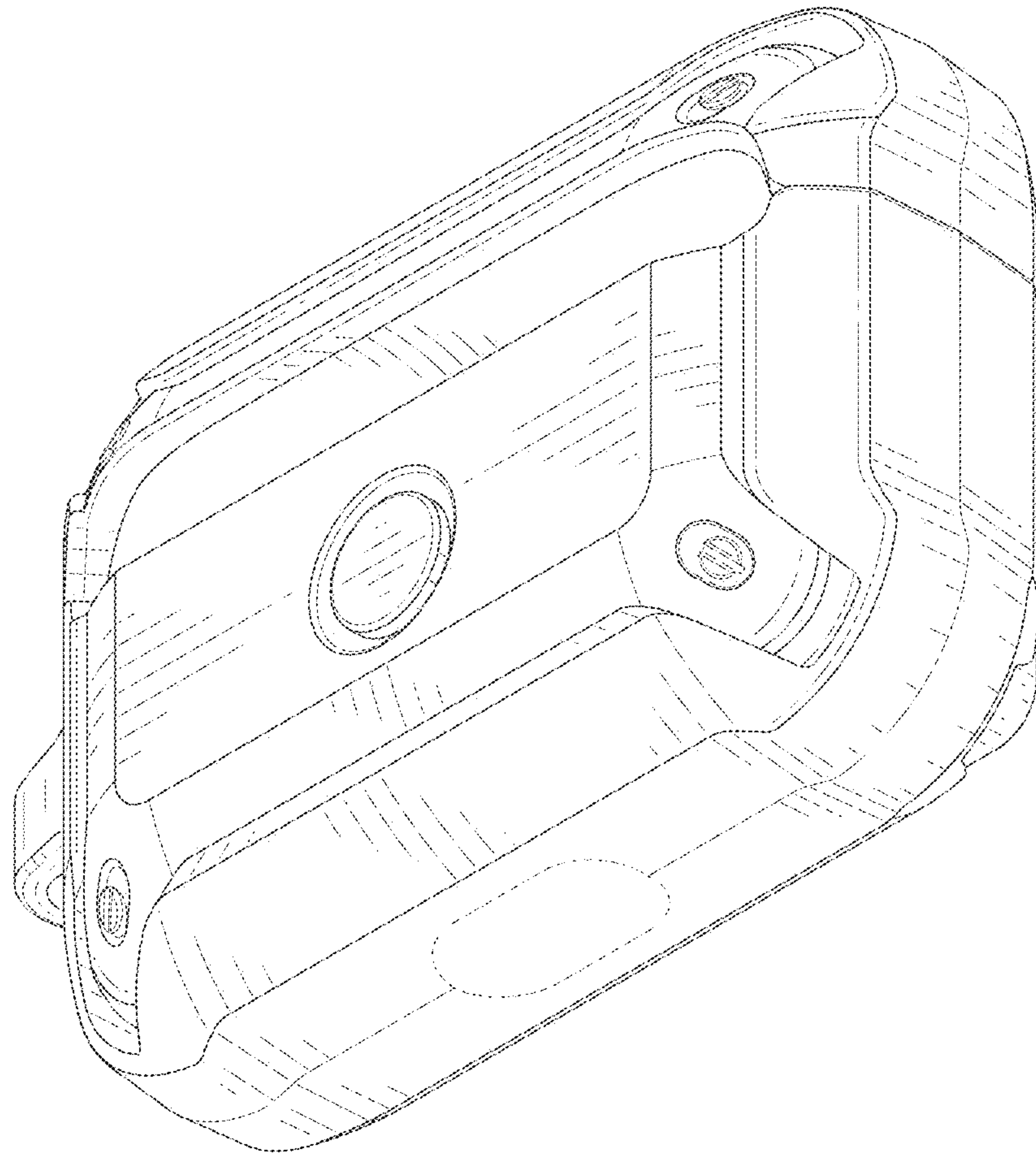


FIG.2

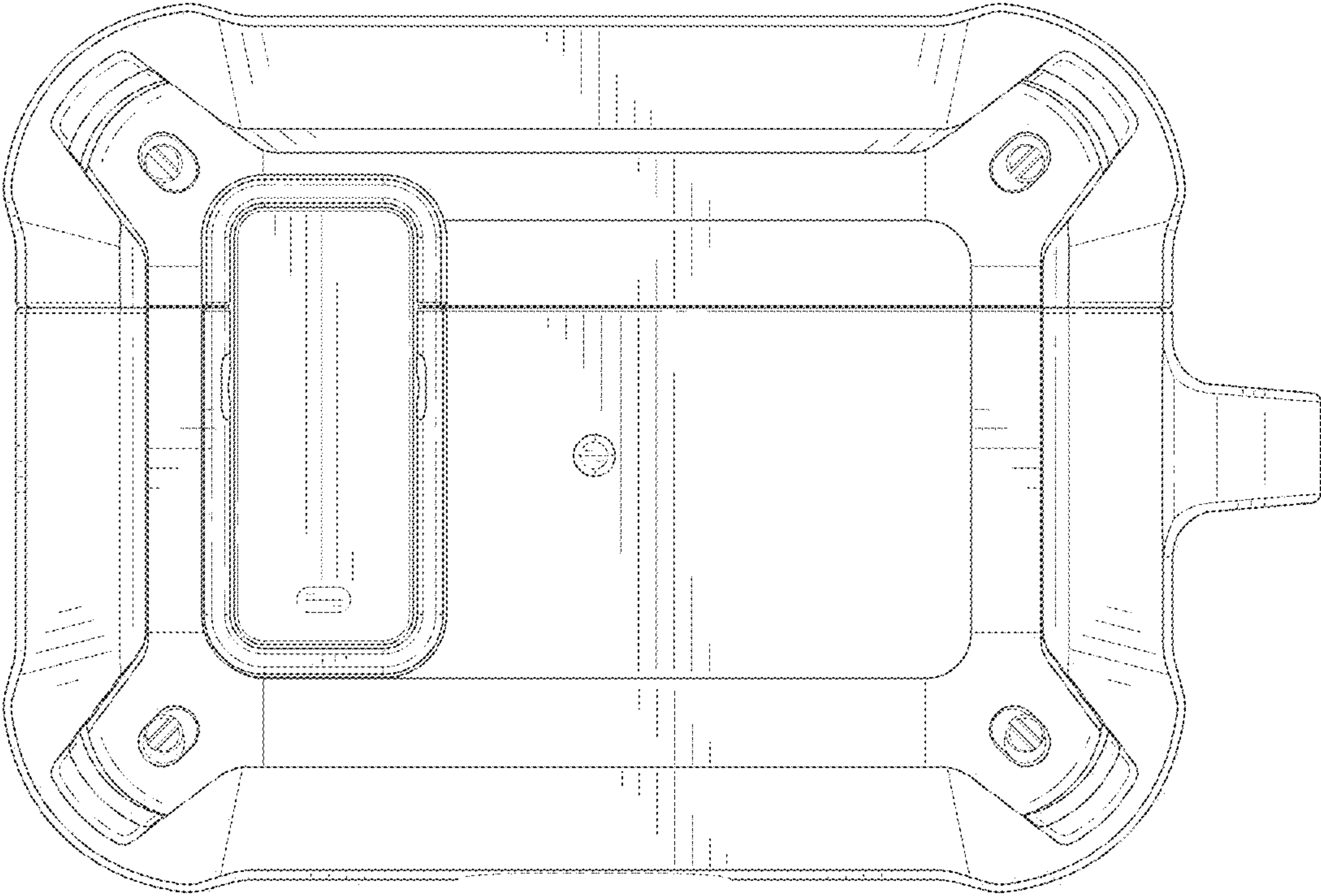


FIG.3

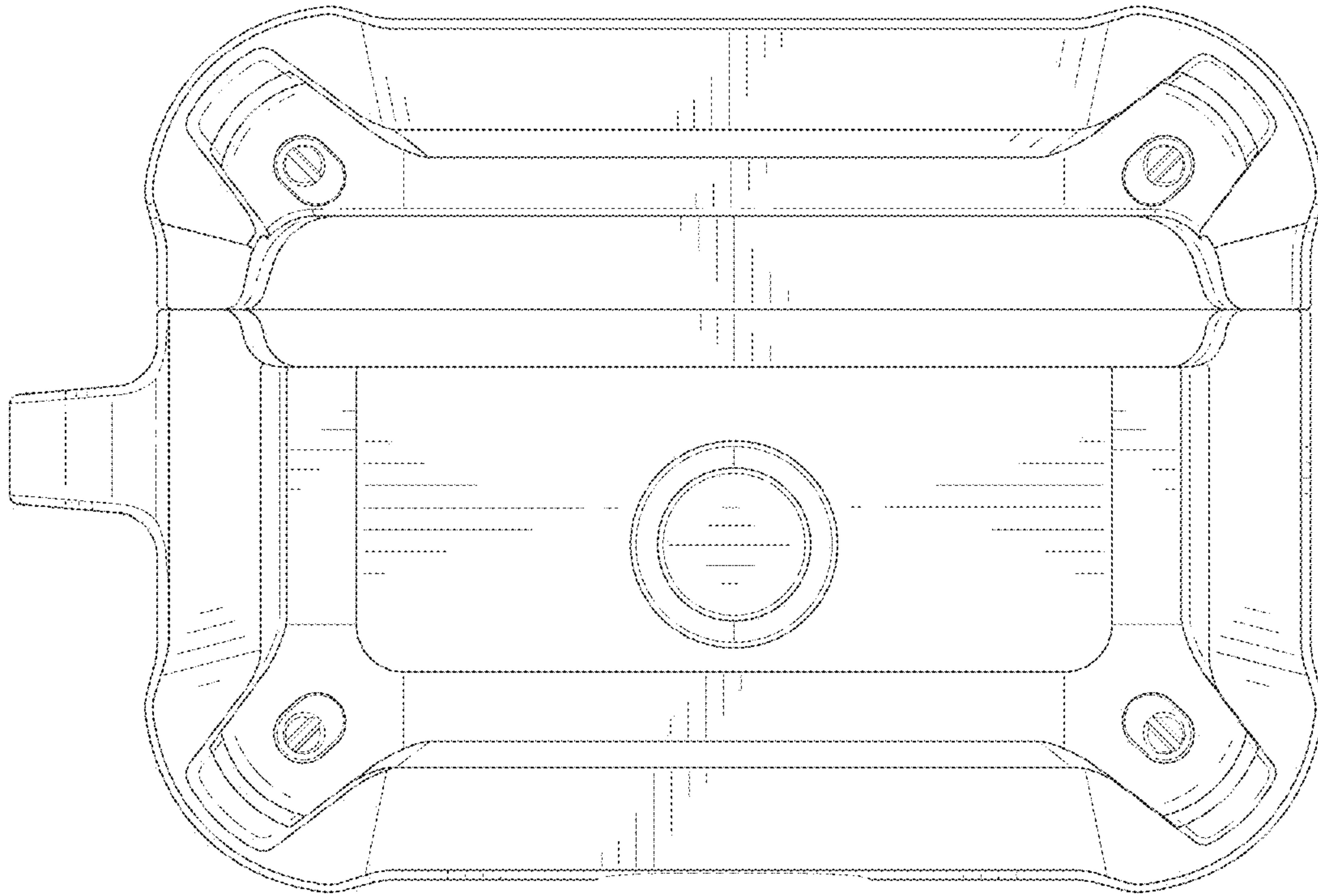


FIG.4

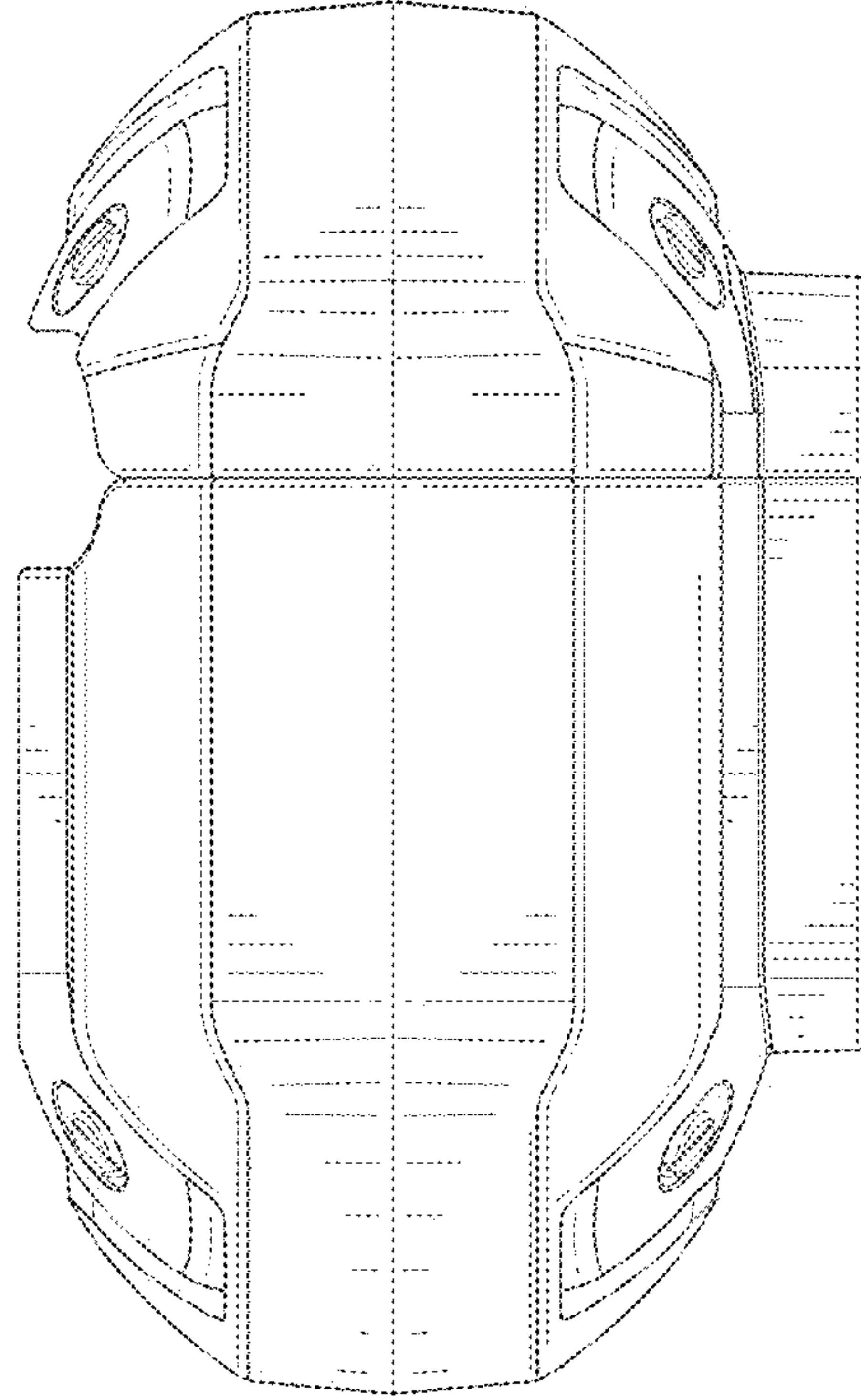


FIG.5

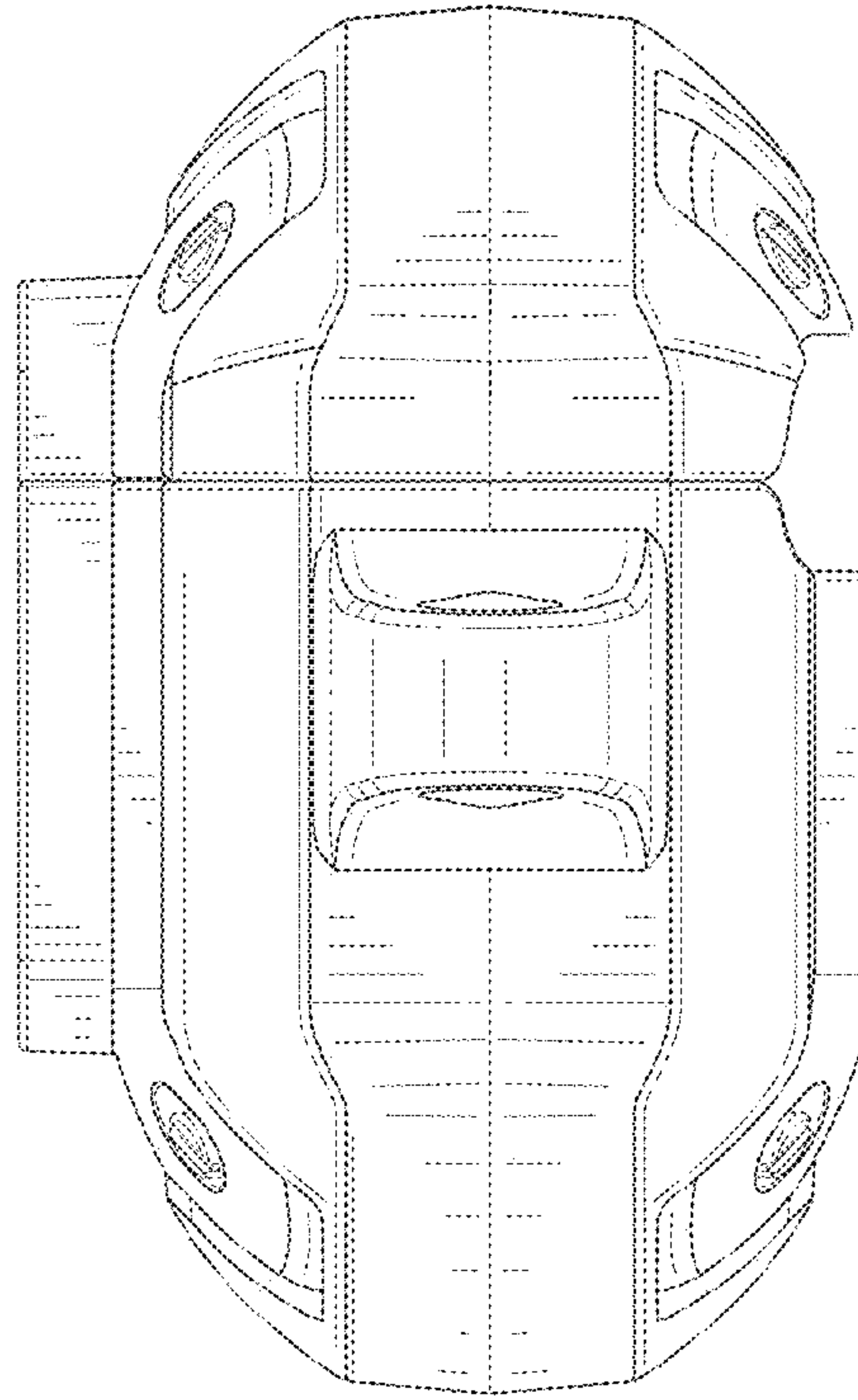


FIG.6

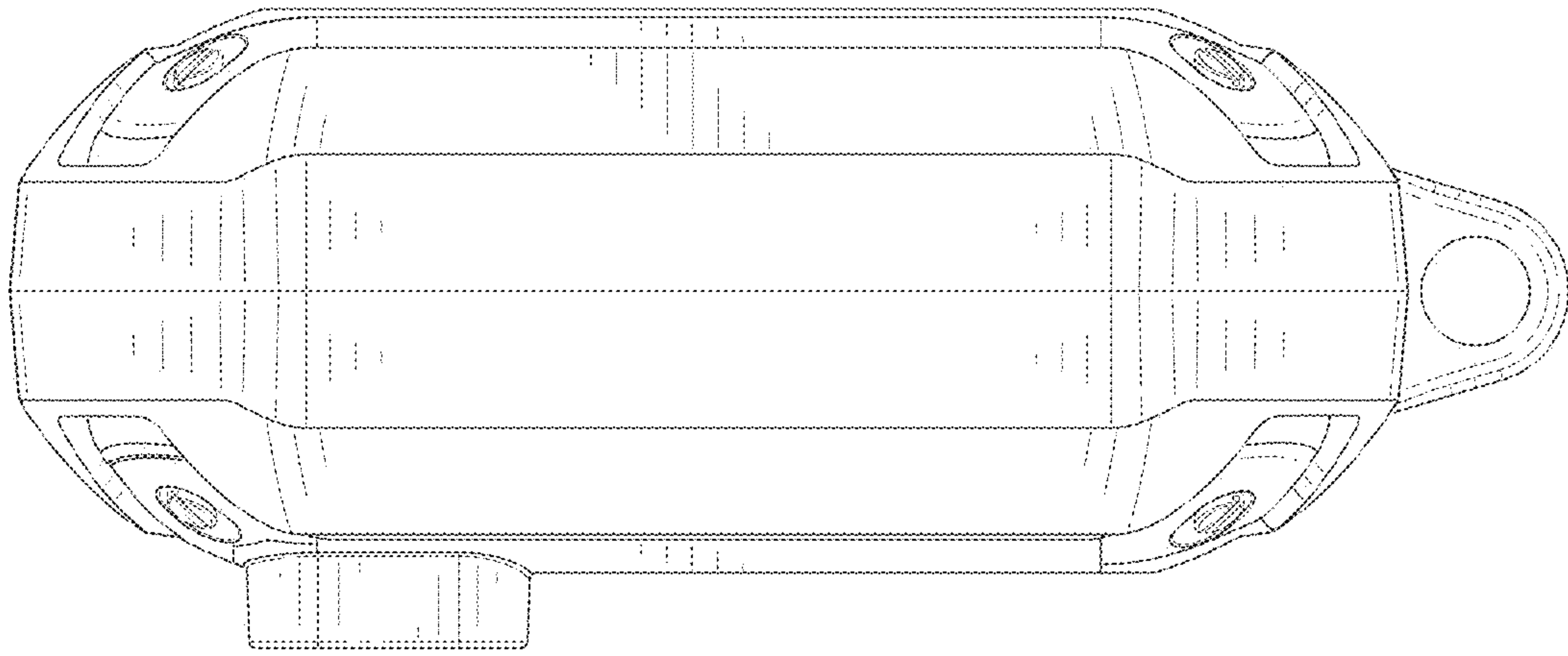


FIG. 7

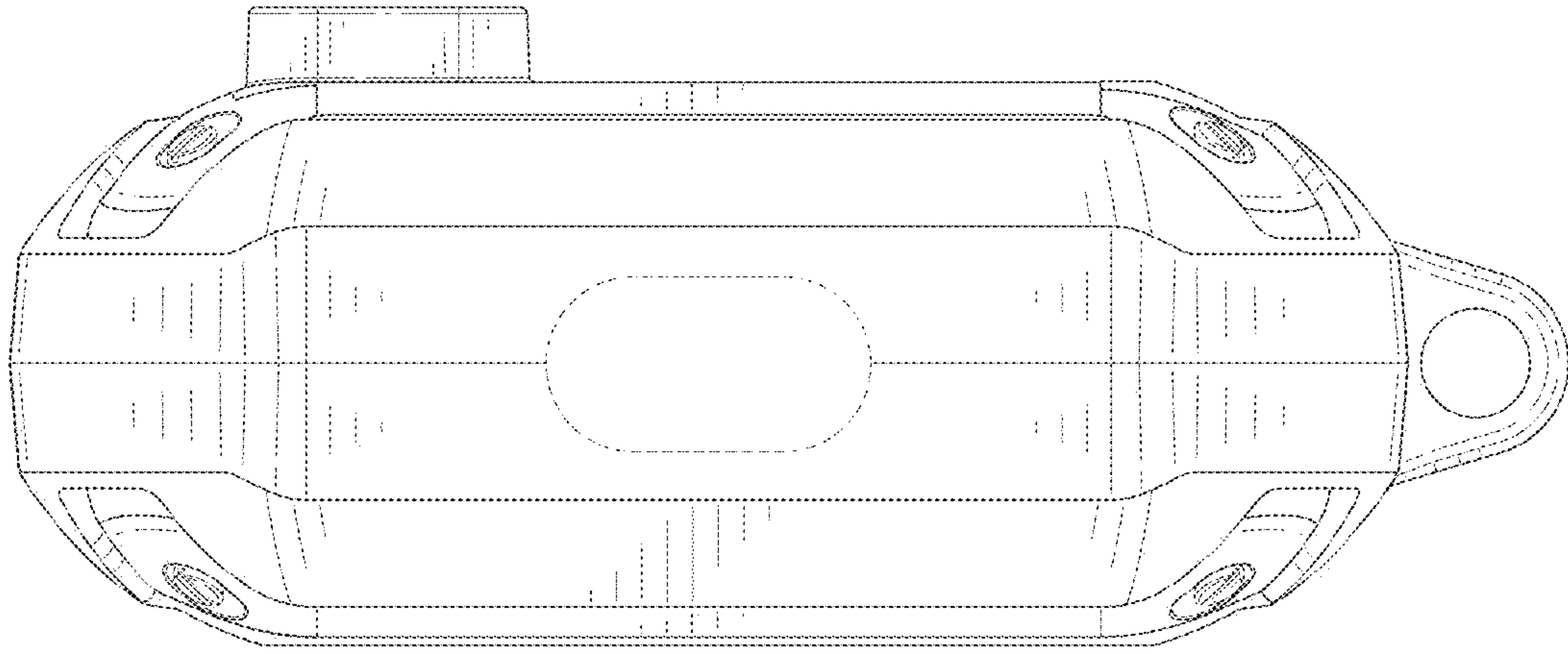


FIG.8