



US00D959437S

(12) **United States Design Patent**  
**Li**

(10) **Patent No.:** **US D959,437 S**

(45) **Date of Patent:** **\*\* Aug. 2, 2022**

(54) **PROTECTIVE COVER FOR TABLET**

(71) Applicant: **SHENZHEN HONGGAODA  
INDUSTRY CO., LTD.**, Shenzhen  
(CN)

(72) Inventor: **Jianhui Li**, Shenzhen (CN)

(73) Assignee: **SHENZHEN HONGGAODA  
INDUSTRY CO., LTD.**, Shenzhen  
(CN)

(\*\*) Term: **15 Years**

(21) Appl. No.: **29/765,110**

(22) Filed: **Jan. 6, 2021**

(51) **LOC (13) Cl.** ..... **14-02**

(52) **U.S. Cl.**  
USPC ..... **D14/440**

(58) **Field of Classification Search**  
USPC ..... D14/440, 250, 447; 206/45.2, 45.23,  
206/320; 361/679.55; 294/25; 224/218  
CPC ... G06F 1/1628; G06F 1/1626; A47B 23/044;  
H04B 1/3888  
See application file for complete search history.

(56) **References Cited**

**U.S. PATENT DOCUMENTS**

D784,350 S \* 4/2017 Li ..... D14/440  
D835,625 S \* 12/2018 Li ..... D14/440  
D843,377 S \* 3/2019 Tang ..... D14/440  
D865,774 S \* 11/2019 Li ..... D14/458

D879,104 S \* 3/2020 Li ..... D14/440  
D879,105 S \* 3/2020 Li ..... D14/440  
D881,197 S \* 4/2020 Chen ..... D14/440  
D881,893 S \* 4/2020 Zaxiang ..... D14/440  
D883,988 S \* 5/2020 Li ..... D14/440  
D886,109 S \* 6/2020 Li ..... D14/440  
D893,497 S \* 8/2020 Li ..... D14/440  
D912,677 S \* 3/2021 Li ..... D14/440  
D928,166 S \* 8/2021 Hu ..... D14/440

\* cited by examiner

*Primary Examiner* — Katie Jane Stofko

(57) **CLAIM**

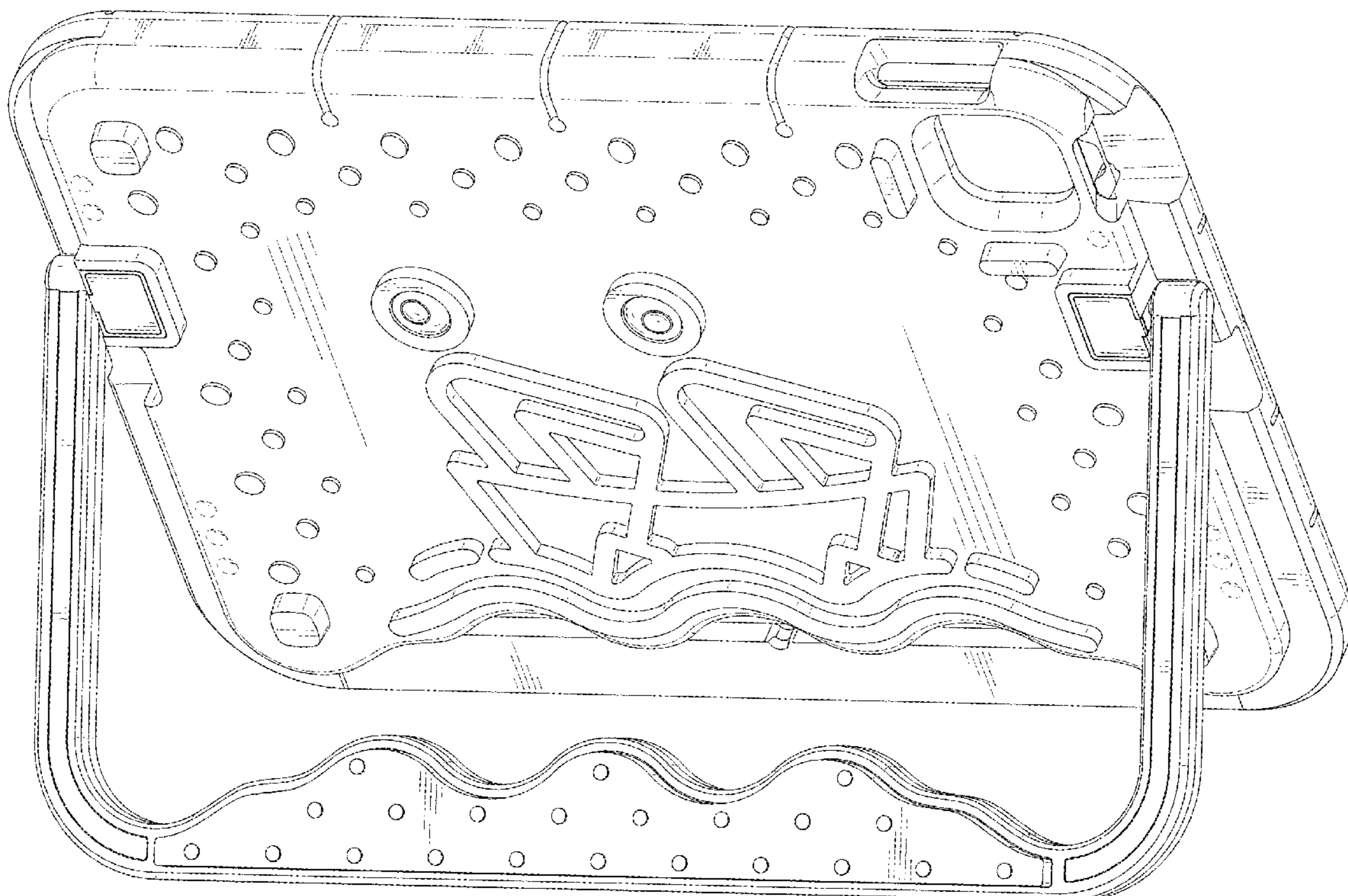
The ornamental design for a protective cover for tablet, as shown and described.

**DESCRIPTION**

FIG. 1 is a front, bottom and right side perspective view of a protective cover for tablet showing my new design; FIG. 2 is a rear, top and left side perspective view thereof; FIG. 3 is a front elevational view thereof; FIG. 4 is a rear elevational view thereof; FIG. 5 is a left side elevational view thereof; FIG. 6 is a right side elevational view thereof; FIG. 7 is a top plan view thereof; FIG. 8 is a bottom plan view thereof; FIG. 9 is a front, bottom and right side perspective view thereof, shown in an environment of use; and, FIG. 10 is a rear, top and left side perspective view thereof, shown in an open state.

The broken lines shown in FIG. 9 illustrate the environment of the claimed design and form no part thereof.

**1 Claim, 10 Drawing Sheets**



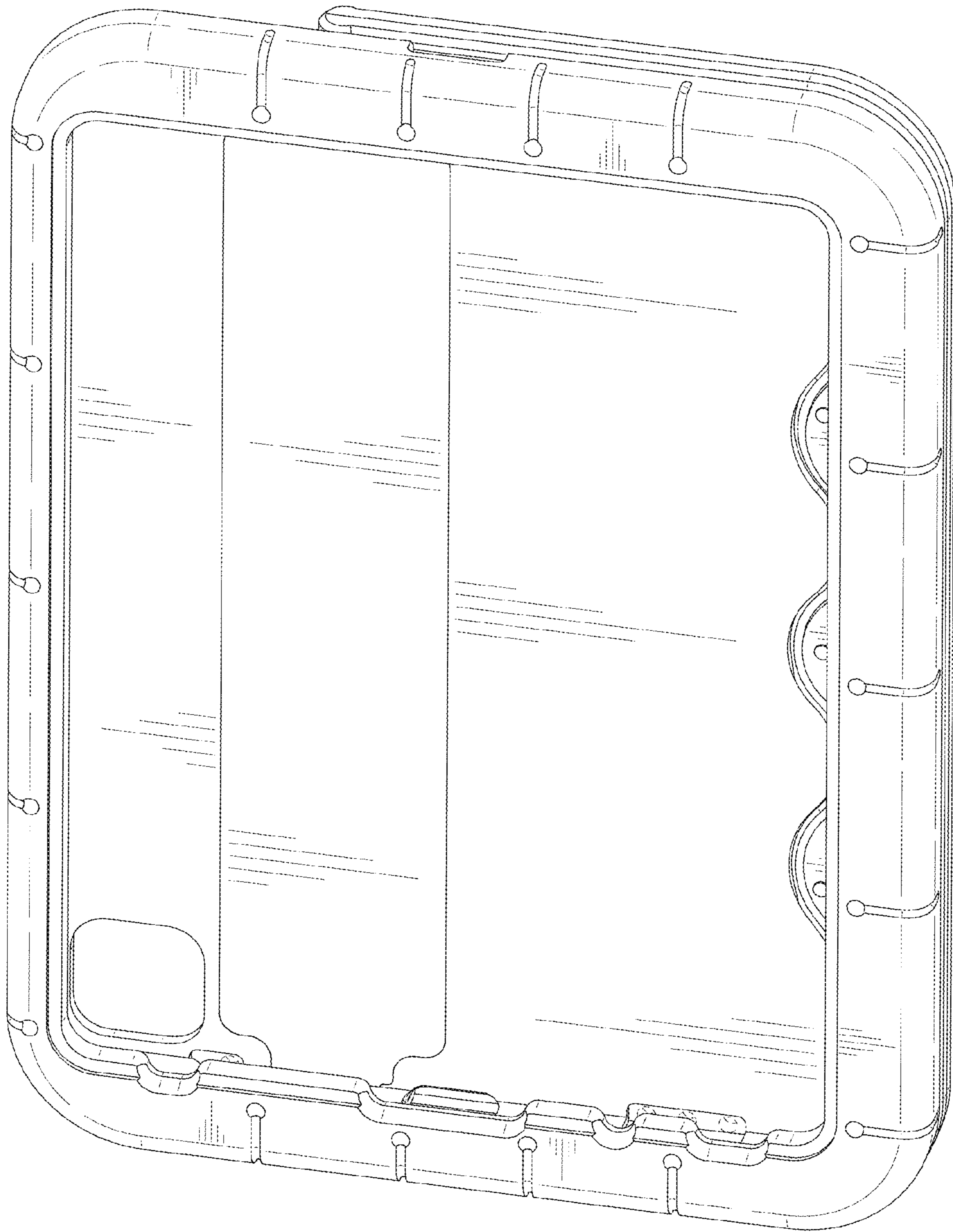


FIG. 1



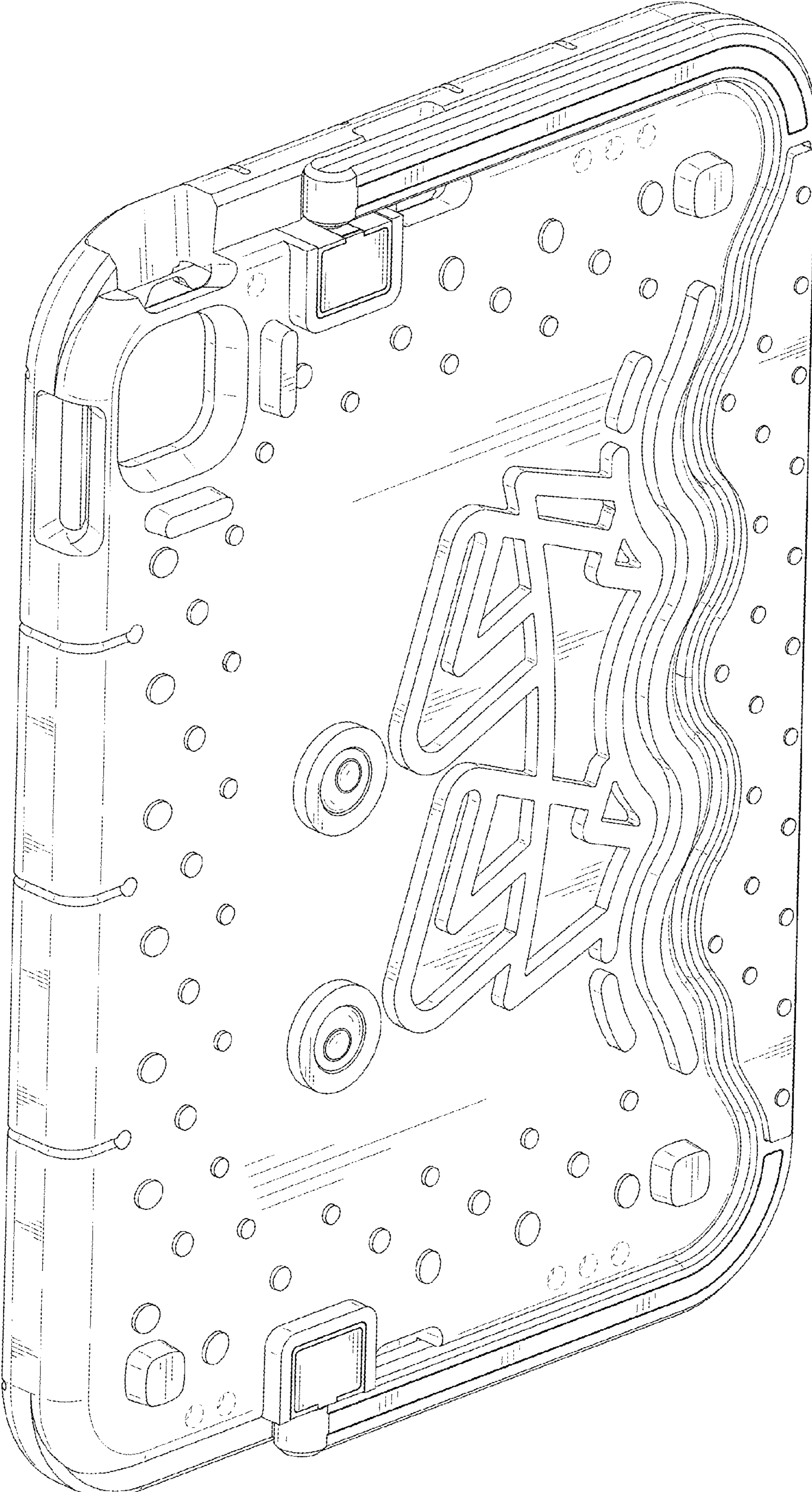


FIG. 2

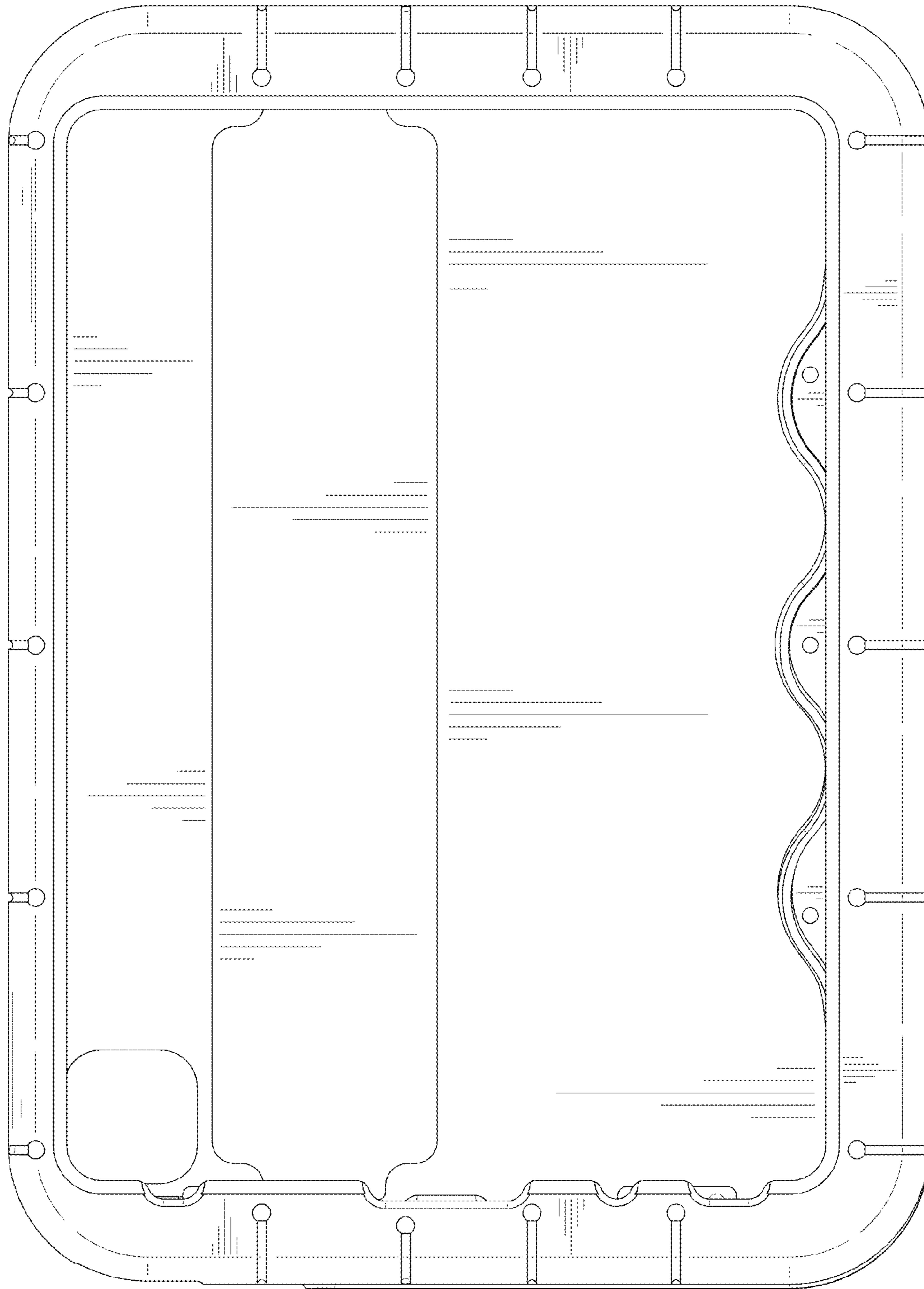


FIG. 3

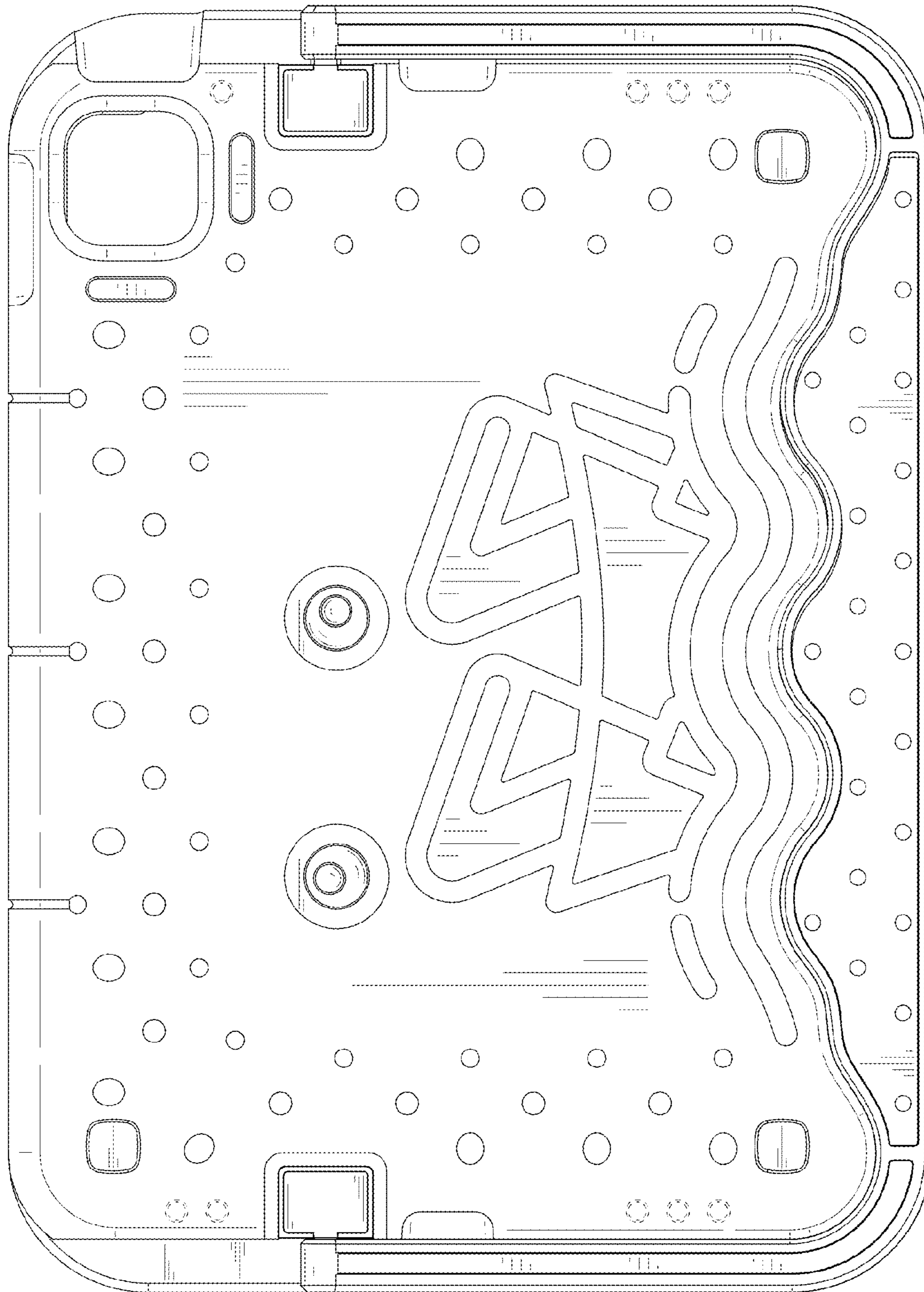


FIG. 4

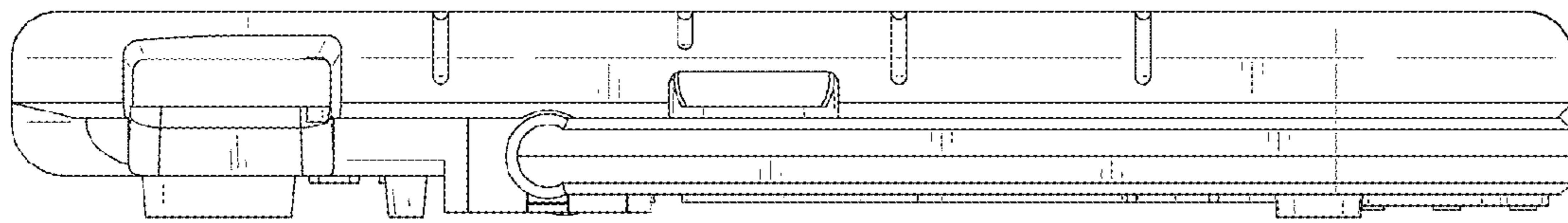


FIG. 5

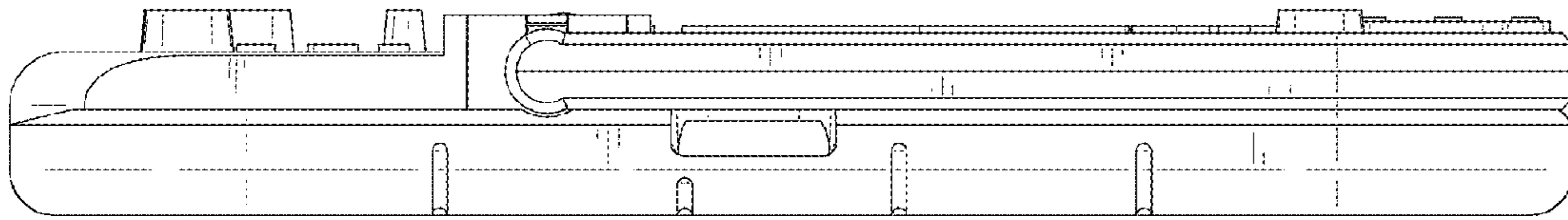


FIG. 6



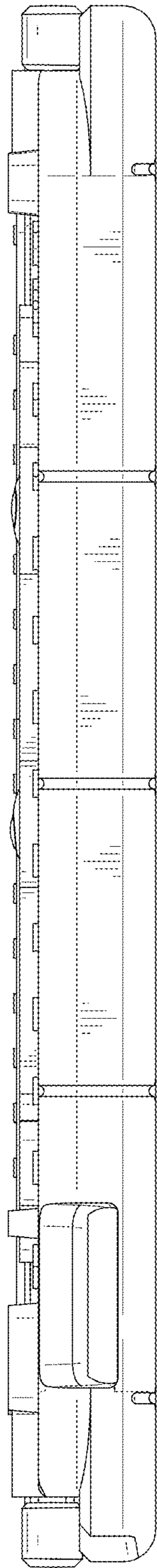


FIG. 7



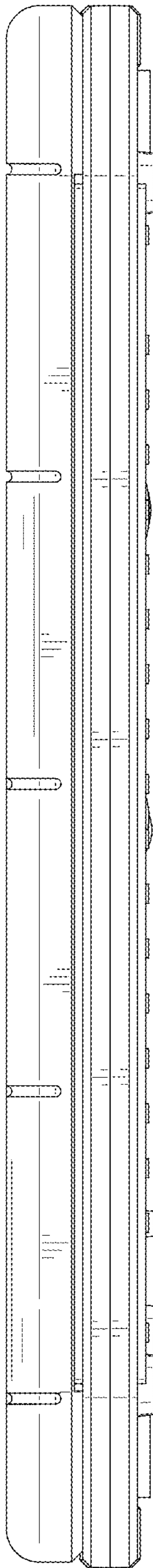


FIG. 8

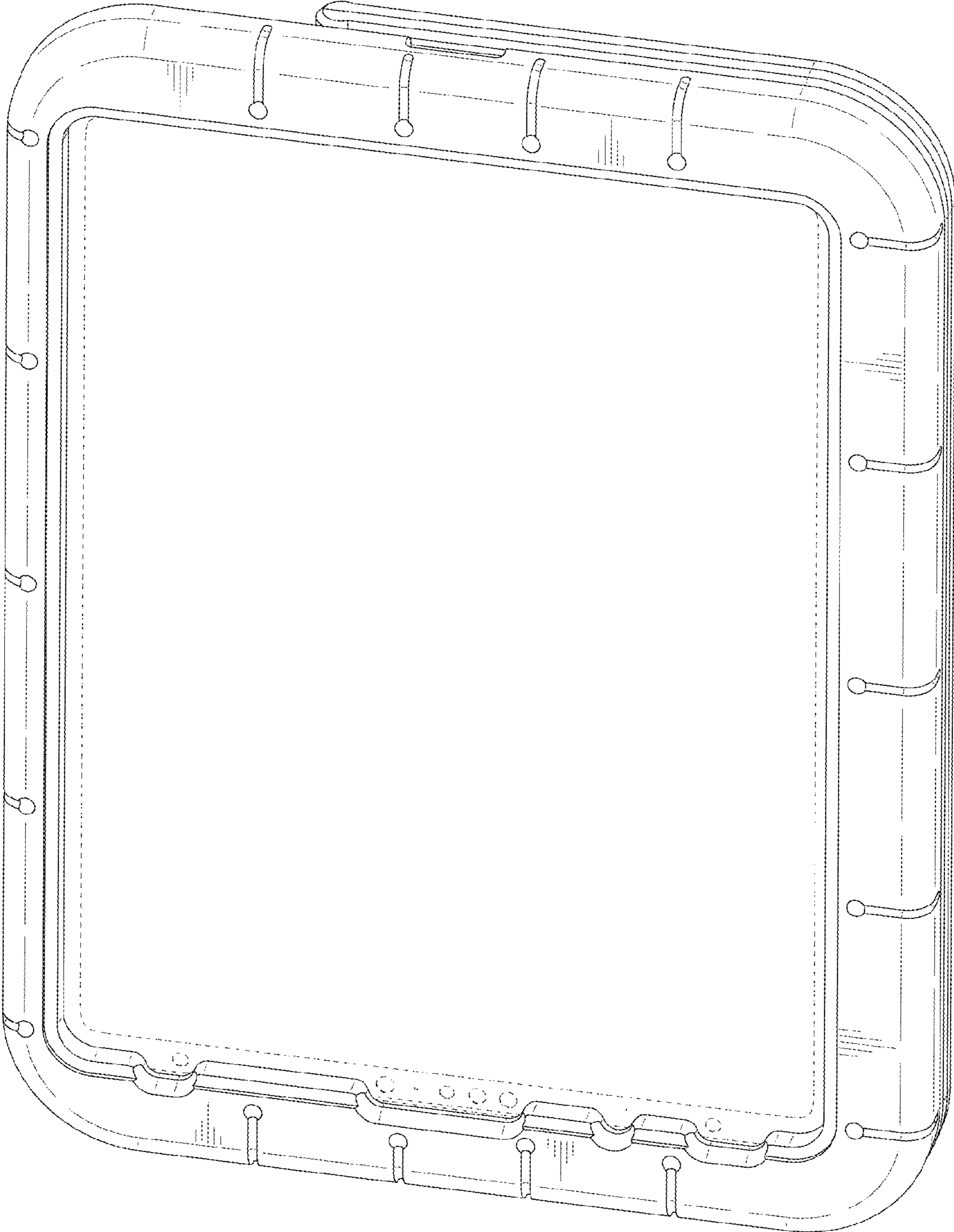


FIG. 9

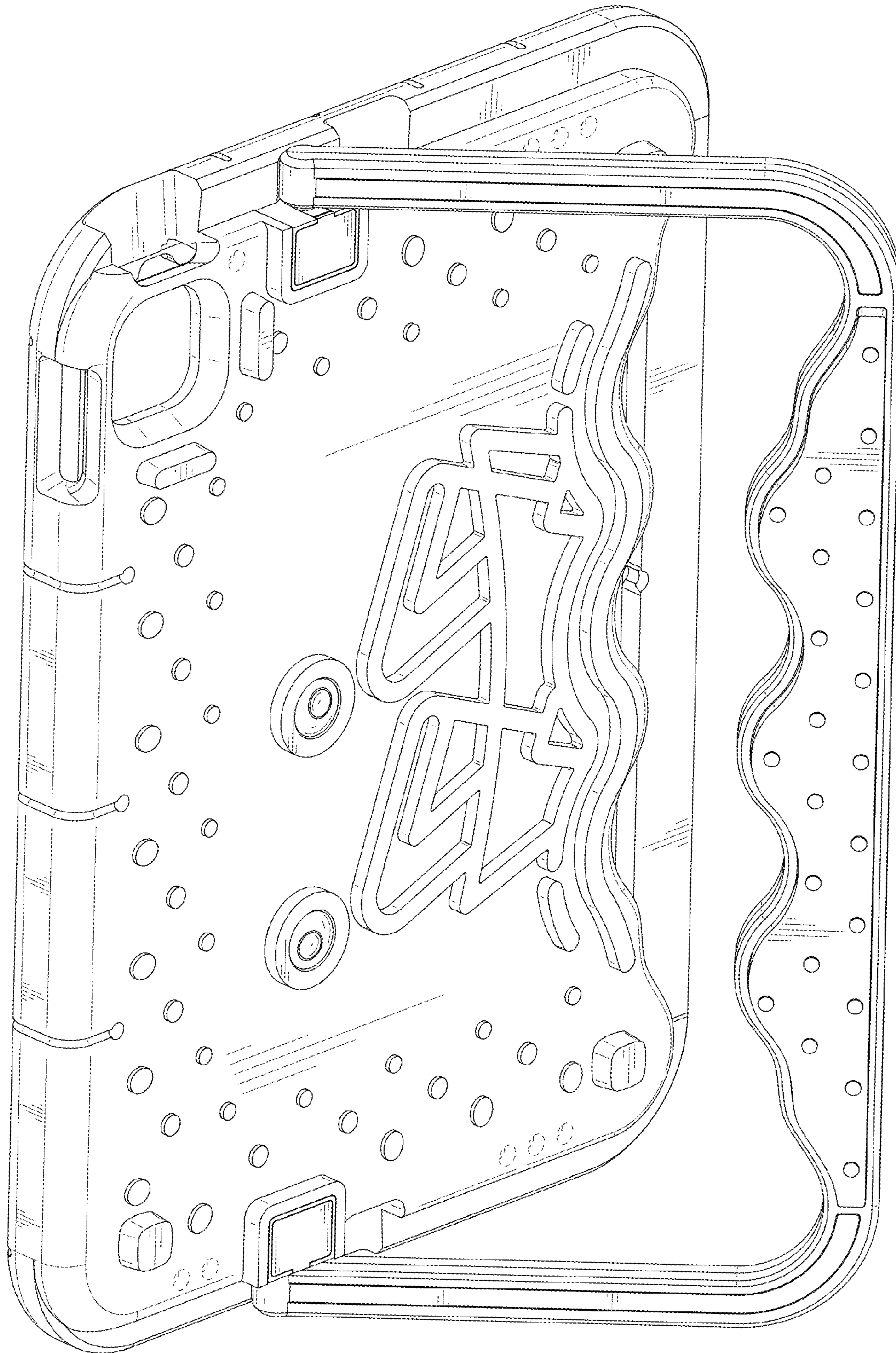


FIG. 10