



US00D959428S

(12) **United States Design Patent** (10) **Patent No.:** **US D959,428 S**
Bockenstedt et al. (45) **Date of Patent:** **** Aug. 2, 2022**

(54) **ACCESS DEVICE**

(71) Applicant: **Bausch Health Ireland Limited**,
Dublin (IE)
(72) Inventors: **Craig Bockenstedt**, Bothell, WA (US);
Richard Malwitz, Bothell, WA (US);
Adam Weisgerber, Shoreline, WA
(US); **Jeffrey Ladwig**, Seattle, WA
(US); **Aaron Piazza**, Lake Forest Park,
WA (US); **Michael Carl Beckman**,
Seattle, WA (US)

(73) Assignee: **SOLTA MEDICAL IRELAND
LIMITED**, Dublin (IE)

(**) Term: **15 Years**

(21) Appl. No.: **29/789,564**

(22) Filed: **Sep. 30, 2021**

Related U.S. Application Data

(63) Continuation of application No. 29/720,111, filed on
Jan. 9, 2020, now Pat. No. Des. 940,133.

(51) **LOC (13) Cl.** **14-02**

(52) **U.S. Cl.**
USPC **D14/383; D14/435.1**

(58) **Field of Classification Search**
USPC D14/300-302, 313, 314, 341, 348-370,
D14/383, 385, 432, 436, 496, 125, 135,
D14/134, 155, 167, 168, 230, 231, 233,
D14/235, 237, 240-242, 299, 435.1;
D10/65, 75, 78; D13/103, 149, 162, 184,
D13/199; D18/4.4-4.6, 12.1, 56;
361/679.31-679.45, 752; 711/100, 115;
382/115, 124
CPC .. G06K 9/00006; G06K 9/6807; G06F 21/32;
G06F 17/30

See application file for complete search history.

(56) **References Cited**

U.S. PATENT DOCUMENTS

D627,153	S	*	11/2010	Schmidt	D3/207
D783,613	S	*	4/2017	Maus	D14/383
D800,132	S	*	10/2017	Maus	D14/435.1
D868,075	S	*	11/2019	Maus	D14/480.1
D876,433	S	*	2/2020	Lu	D14/383
D876,434	S	*	2/2020	Lu	D14/383
D877,151	S	*	3/2020	Maus	D14/435.1
D877,152	S	*	3/2020	Maus	D14/435.1
D883,282	S		5/2020	Tatic		

(Continued)

OTHER PUBLICATIONS

Office Action—Japanese Design Application No. 2020-14063, dated
Oct. 28, 2020, (2 pages).

Primary Examiner — Austin Murphy

(74) *Attorney, Agent, or Firm* — Finnegan, Henderson,
Farabow, Garrett & Dunner, LLP

(57) **CLAIM**

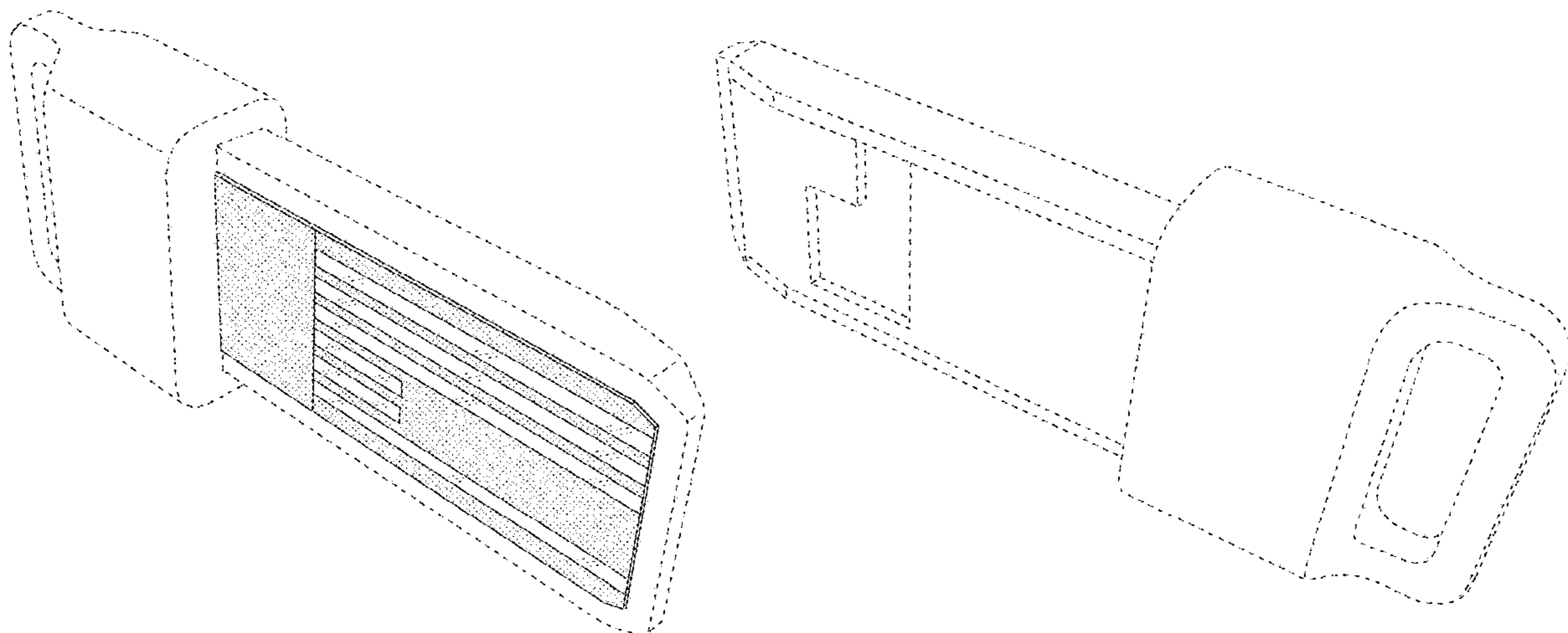
The ornamental design for an access device, as shown and
described.

DESCRIPTION

FIG. 1 is a front perspective view of an access device
showing the new design;
FIG. 2 is a rear perspective view thereof;
FIG. 3 is a front elevation view thereof;
FIG. 4 is a rear elevation view thereof;
FIG. 5 is a left side view thereof;
FIG. 6 is a right side view thereof;
FIG. 7 is a top plan view thereof; and,
FIG. 8 is a bottom plan view thereof.

The even-length broken lines shown in the drawings illus-
trate portions of the light therapy device that form no part of
the claimed design. Contrast in materials is shown by line
shading, stipple shading, and reflective shading in other
areas.

1 Claim, 8 Drawing Sheets



(56)

References Cited

U.S. PATENT DOCUMENTS

D892,795 S	8/2020	Johnson	
D915,403 S	4/2021	Iasso et al.	
D940,133 S *	1/2022	Bockenstedt	D14/383
D943,024 S *	2/2022	Finn	D19/10
2018/0047014 A1 *	2/2018	Maus	G06Q 20/02

* cited by examiner

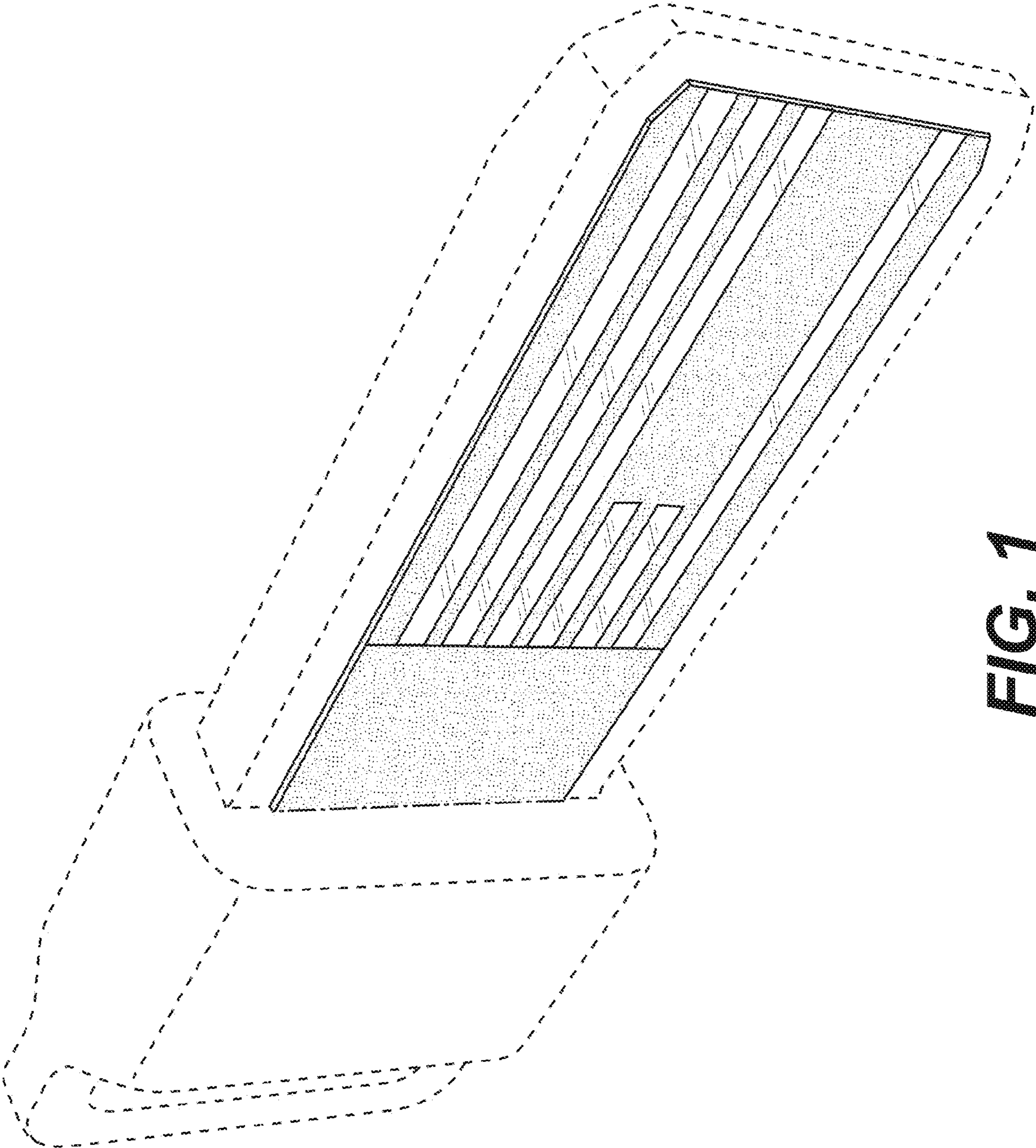


FIG. 1

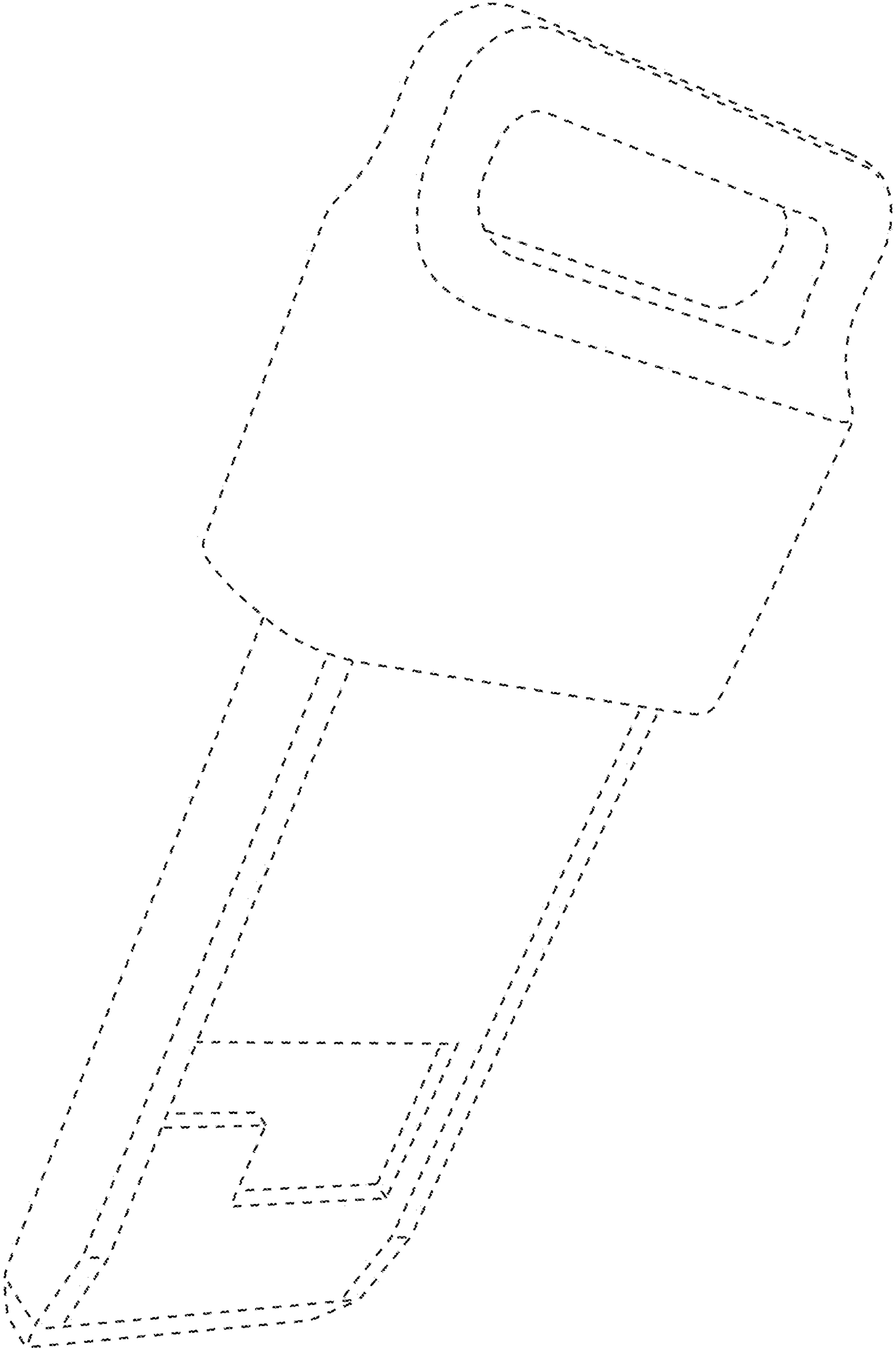


FIG. 2

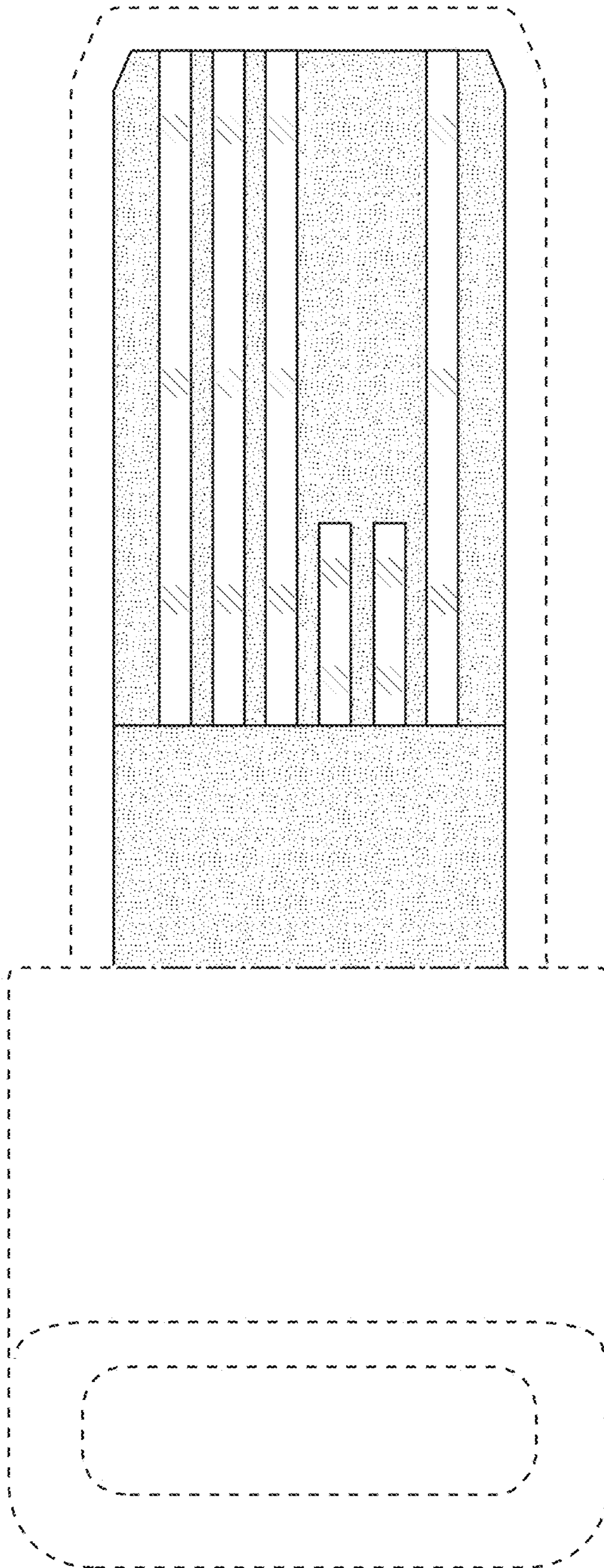


FIG. 3

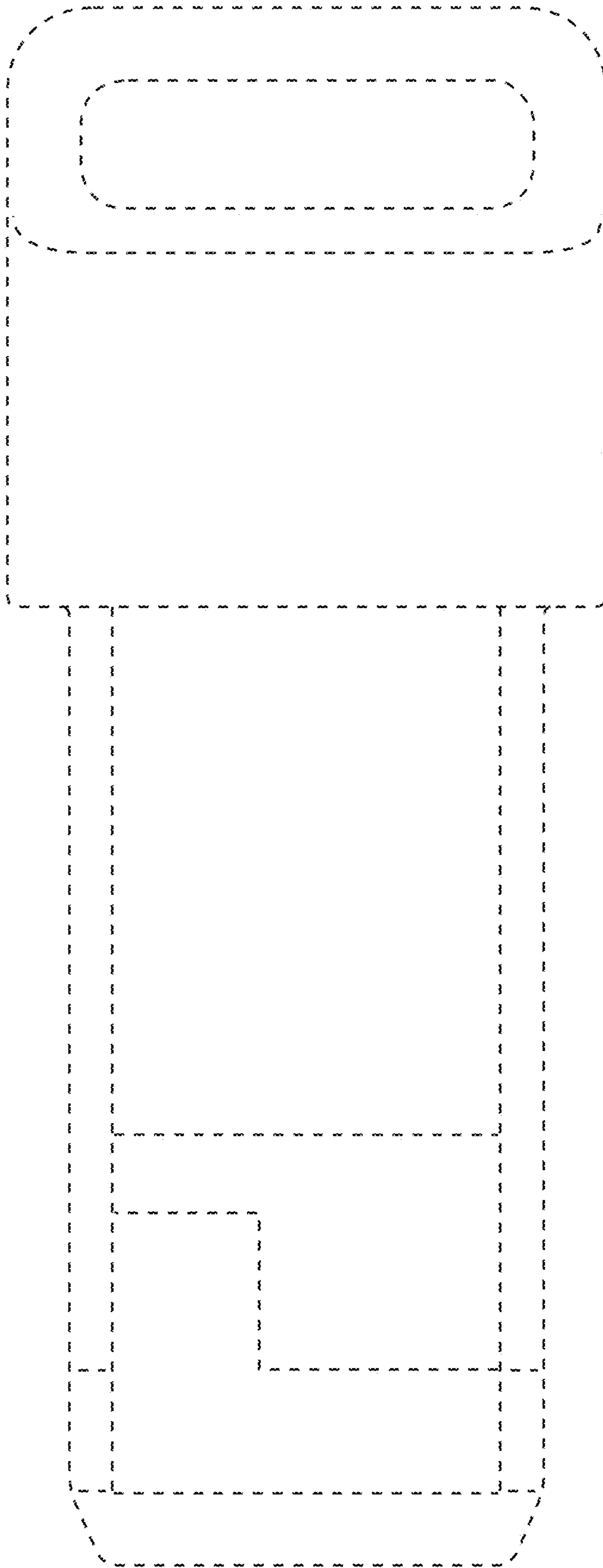


FIG. 4

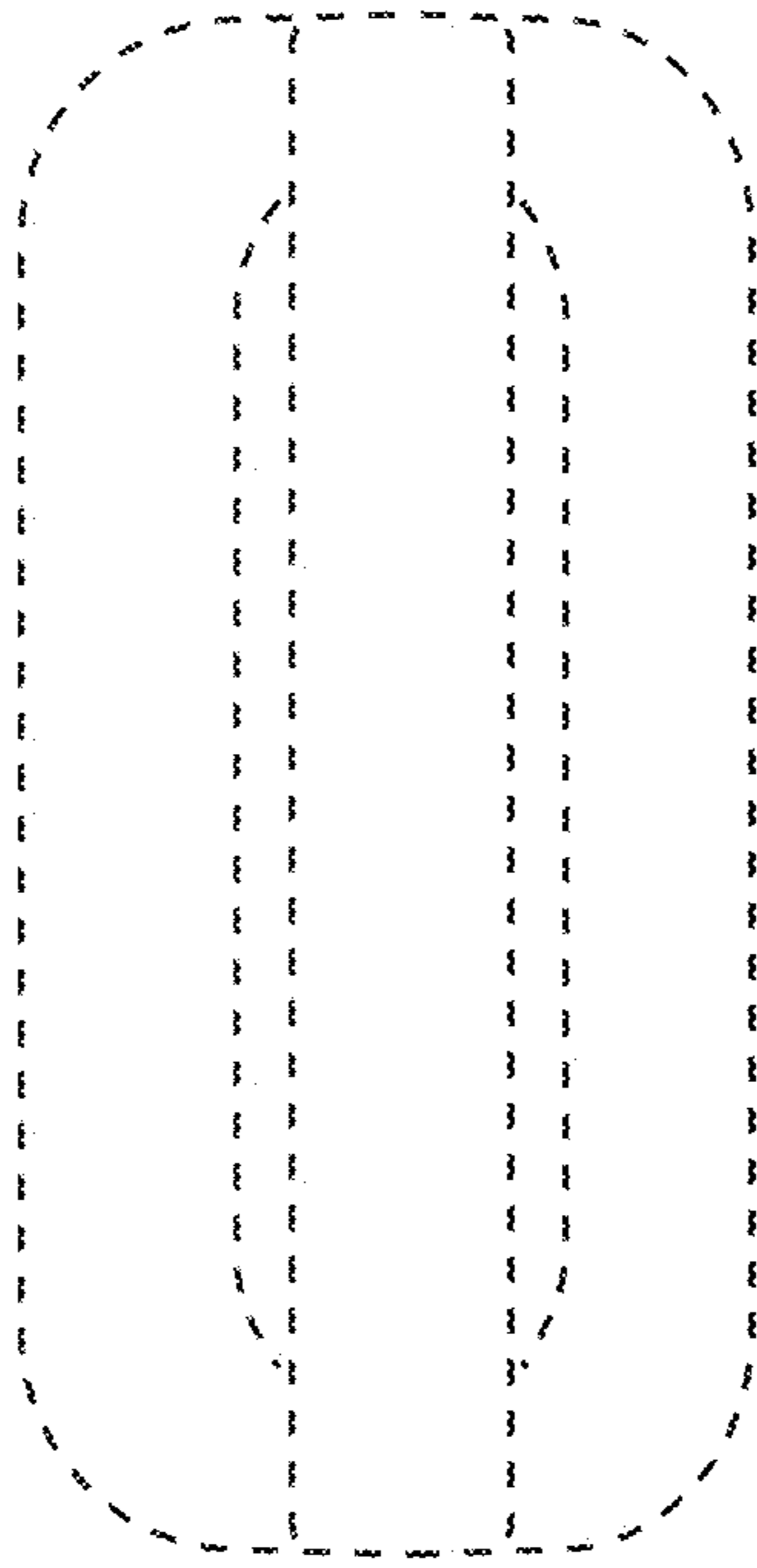


FIG. 5

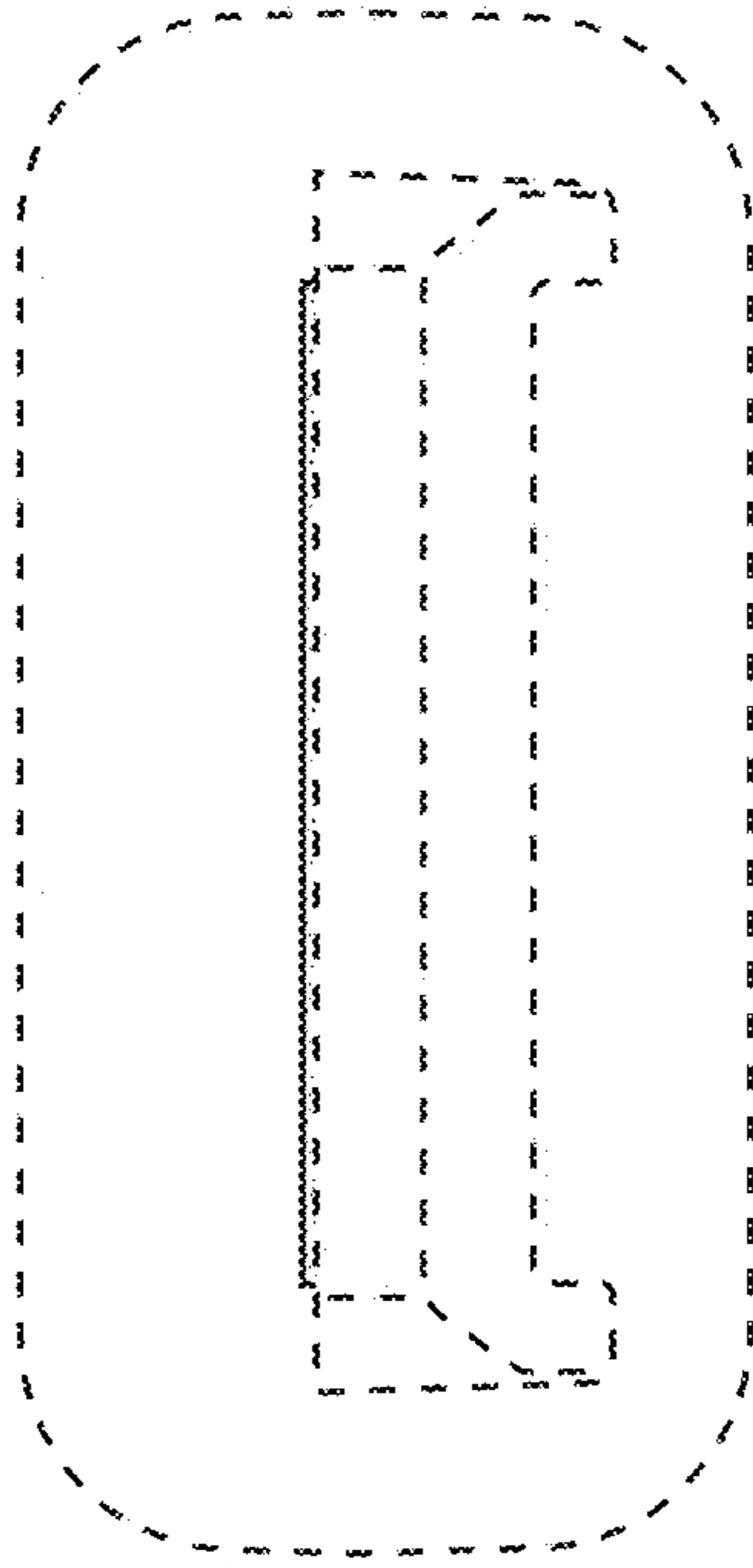


FIG. 6

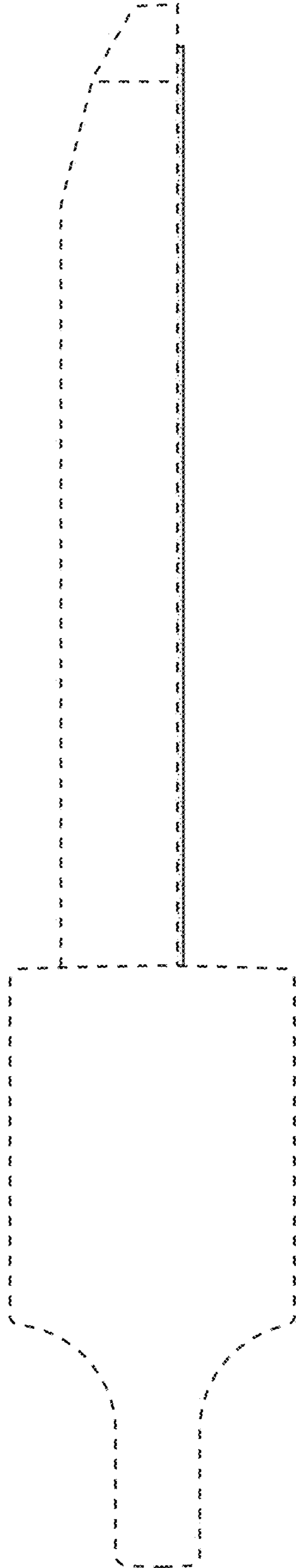


FIG. 7

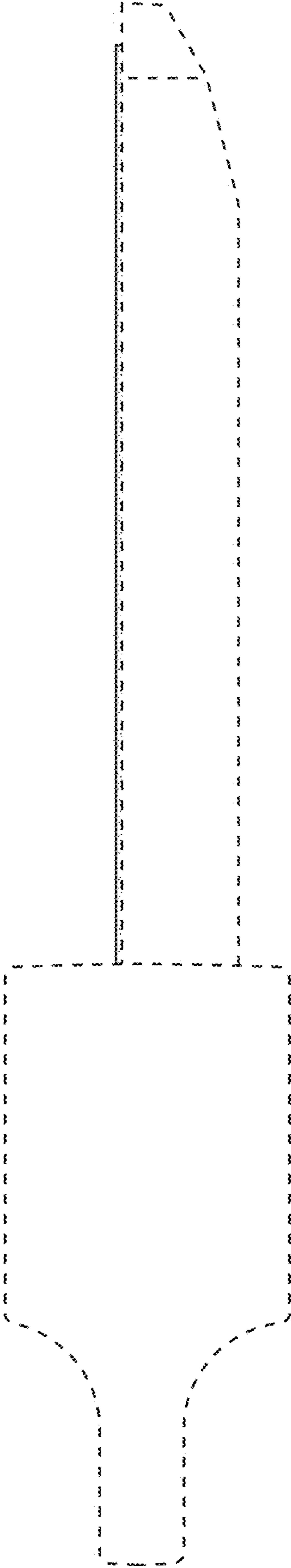


FIG. 8