



US00D959427S

(12) **United States Design Patent**  
**Zhu**

(10) **Patent No.:** **US D959,427 S**

(45) **Date of Patent:** **\*\* Aug. 2, 2022**

(54) **VR HELMET ACCESSORY**

(71) Applicant: **Yonghong Zhu**, Shenzhen (CN)

(72) Inventor: **Yonghong Zhu**, Shenzhen (CN)

(\*\*) Term: **15 Years**

(21) Appl. No.: **29/787,345**

(22) Filed: **Jun. 6, 2021**

(51) **LOC (13) Cl.** ..... **14-02**

(52) **U.S. Cl.**  
USPC ..... **D14/372**

(58) **Field of Classification Search**  
USPC ..... D14/372, 496, 432, 371, 125, 126, 129,  
D14/299; D16/300-342; 351/158, 153,  
351/144; 345/7-9, 905; 455/344;  
348/115, 53, 121, 739

CPC ..... G02B 27/017; G02B 27/0158; G02B  
27/0161; G02B 27/0181; G02B 27/0185;  
G02B 27/0189

See application file for complete search history.

(56) **References Cited**

**U.S. PATENT DOCUMENTS**

D827,642 S *	9/2018	Liu	.....	D14/372
D829,208 S *	9/2018	Dallmeyer	.....	D14/372
D869,772 S	12/2019	Gand		
D885,383 S *	5/2020	Chang	.....	D14/372
D890,172 S *	7/2020	Wei	.....	D14/372

D890,173 S *	7/2020	Wei	.....	D14/372
D904,402 S *	12/2020	Marquis	.....	D14/372
D916,702 S *	4/2021	Newsom	.....	D14/372
D920,974 S *	6/2021	Chi	.....	D14/372
D924,234 S *	7/2021	Meng	.....	D14/372
D928,151 S *	8/2021	Hu	.....	D14/372
D943,575 S *	2/2022	Conlee, IV	.....	D14/372
2013/0285886 A1 *	10/2013	Pombo	.....	G02B 27/0149 345/8

\* cited by examiner

*Primary Examiner* — Austin Murphy

(74) *Attorney, Agent, or Firm* — Che-Yang Chen; Law  
Office of Michael Chen

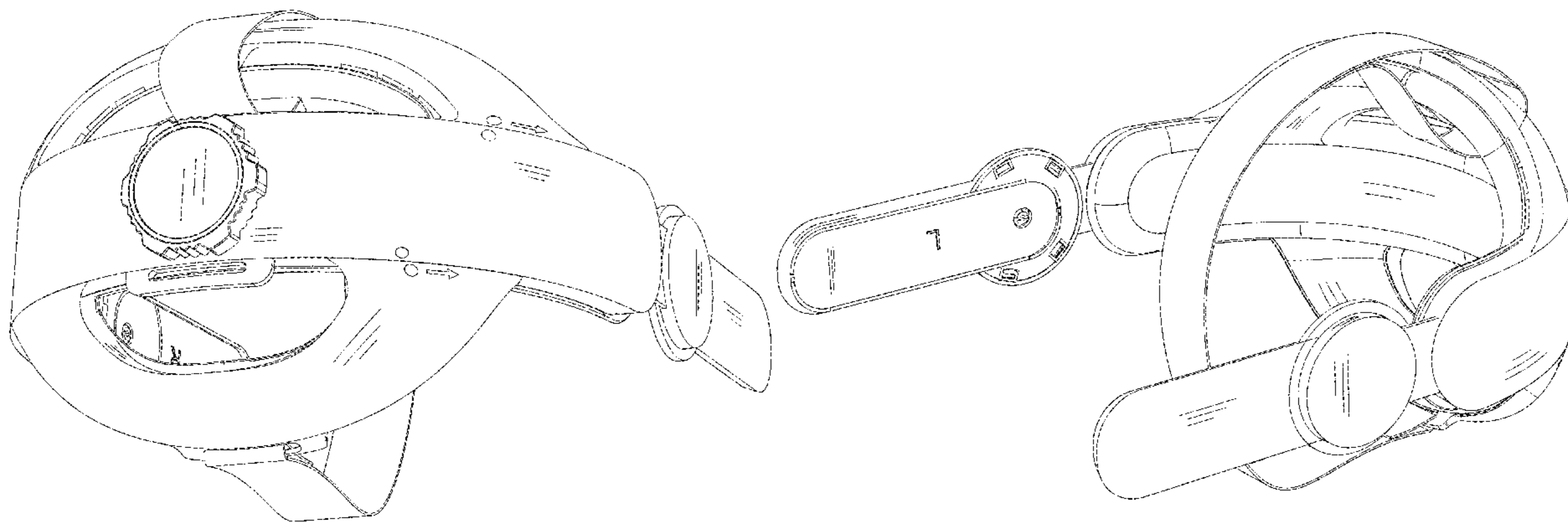
(57) **CLAIM**

The ornamental design for a VR helmet accessory, as shown  
and described.

**DESCRIPTION**

FIG. 1 is a perspective view of the VR helmet accessory  
showing my new design;  
FIG. 2 is a perspective view thereof from another angle;  
FIG. 3 is an exploded perspective view of FIG. 1;  
FIG. 4 is a front elevational view thereof;  
FIG. 5 is a rear elevational view thereof;  
FIG. 6 is a left side elevational view thereof;  
FIG. 7 is a right side elevational view thereof;  
FIG. 8 is a top plan view thereof; and,  
FIG. 9 is a bottom plan view thereof.

**1 Claim, 9 Drawing Sheets**



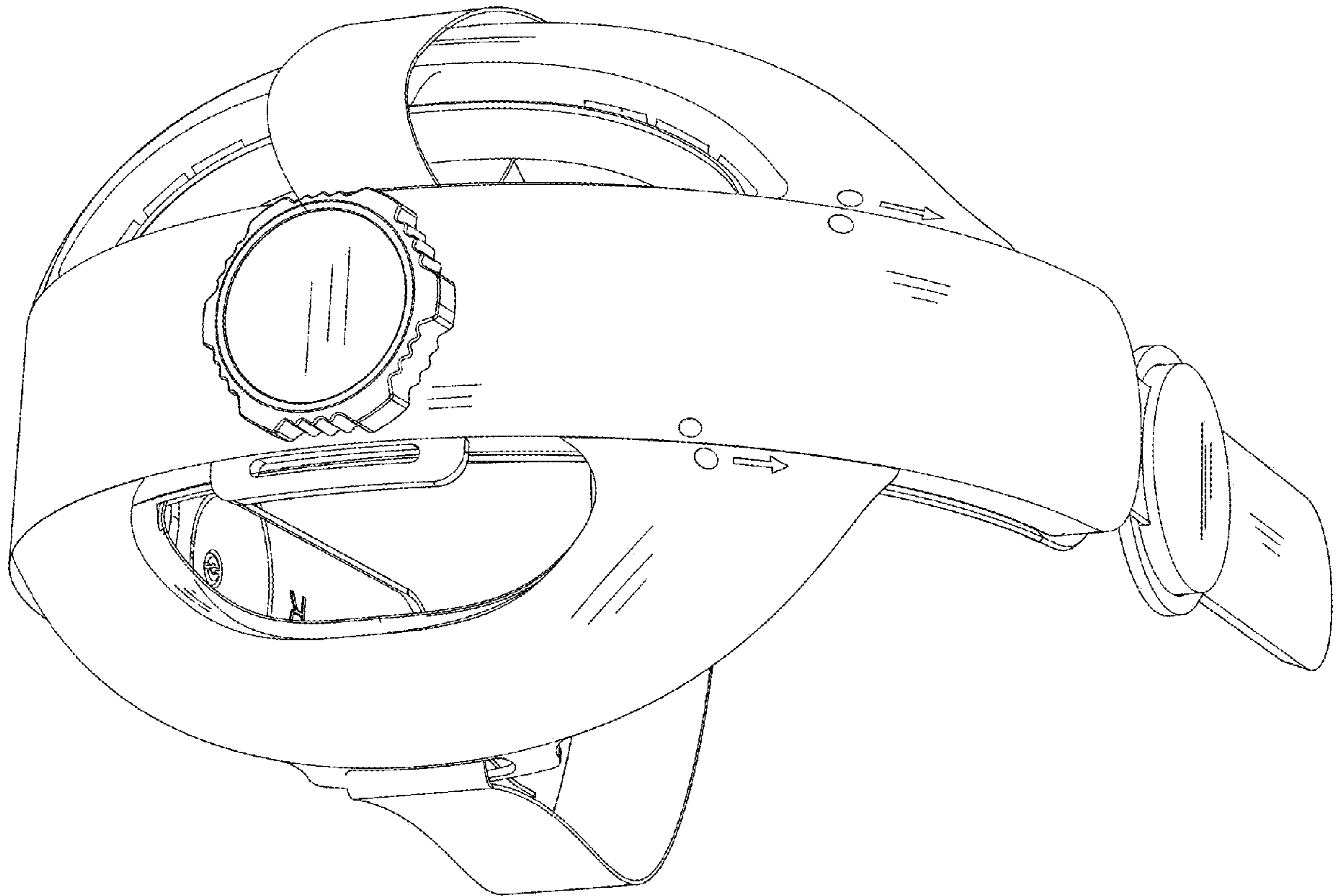


FIG. 1

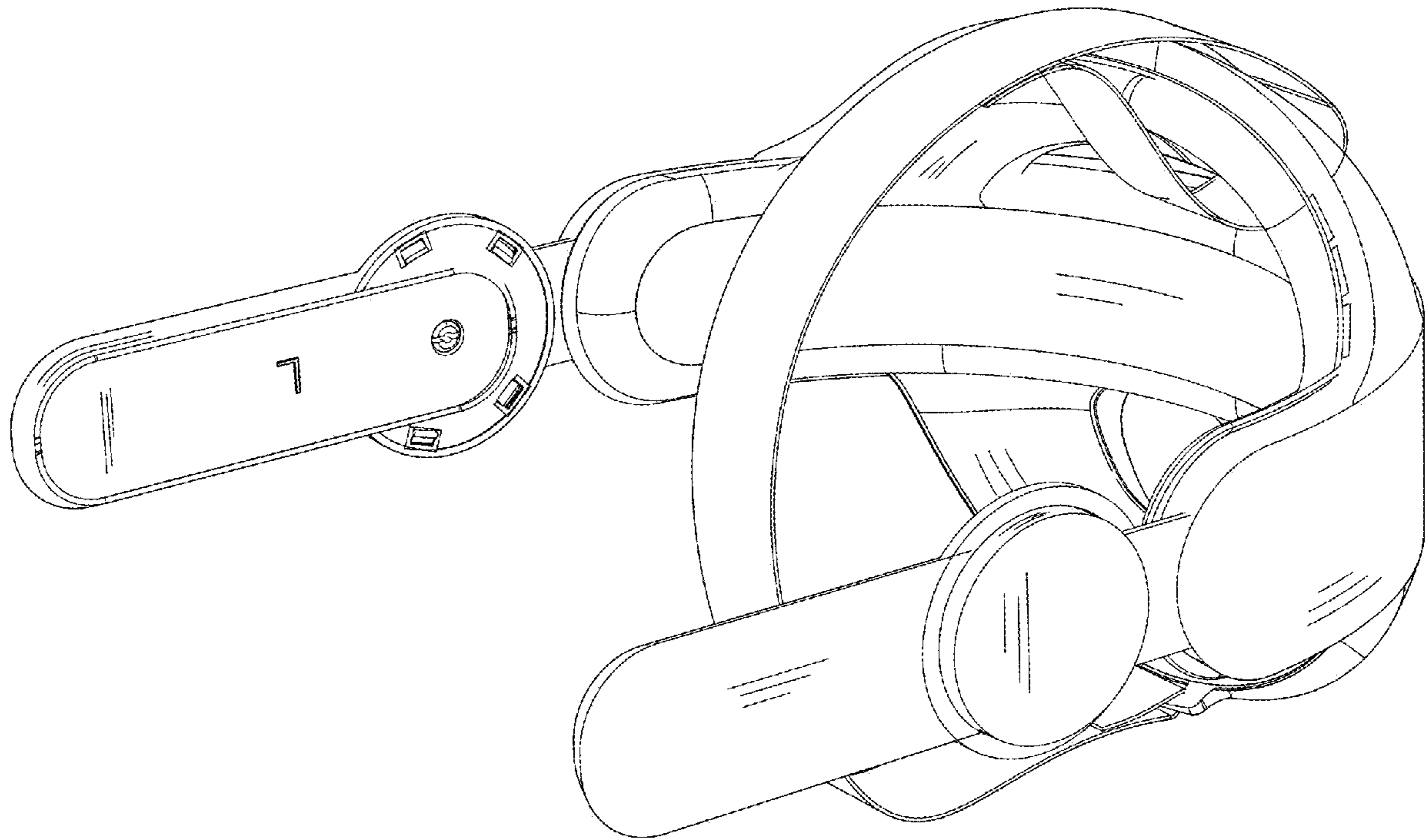


FIG. 2

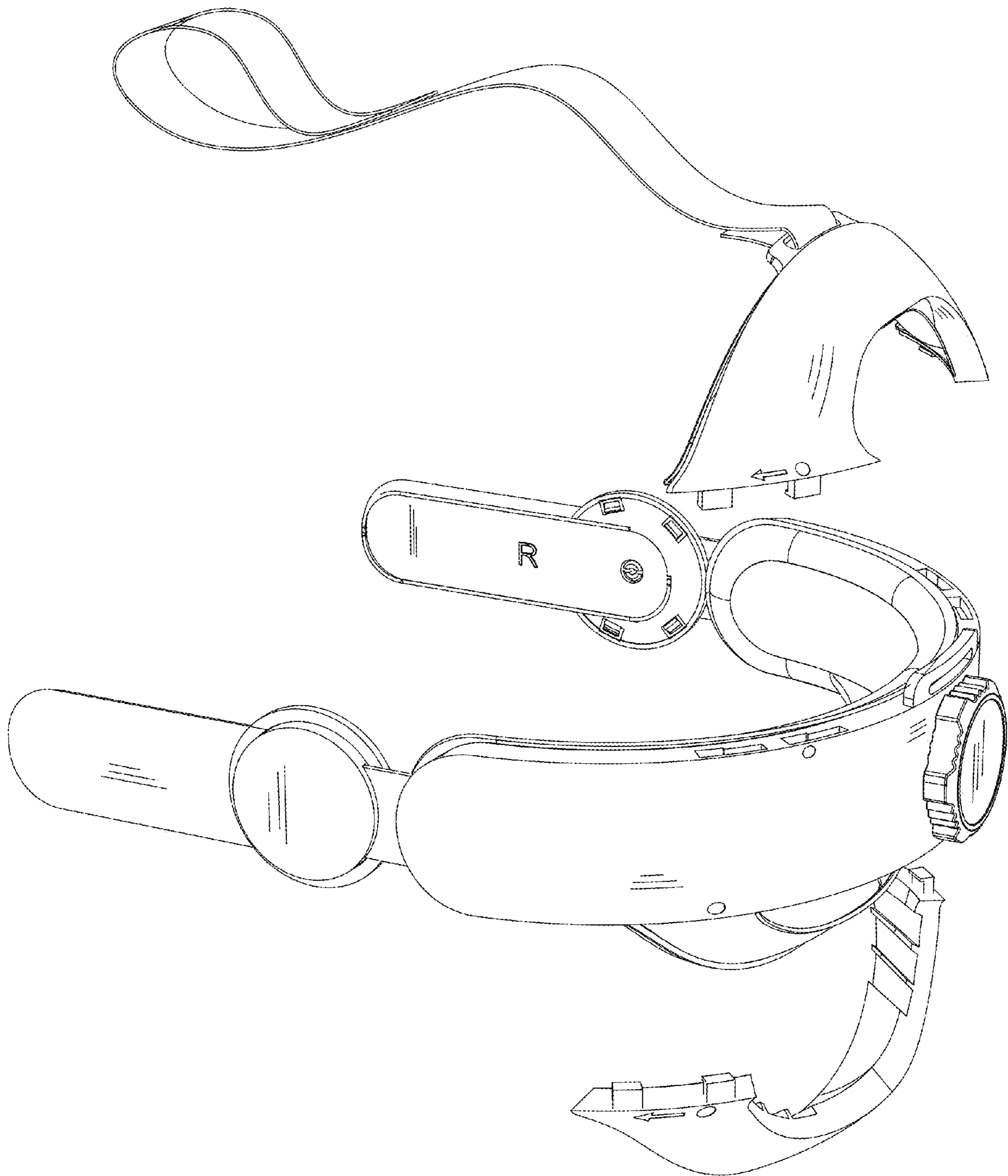


FIG. 3

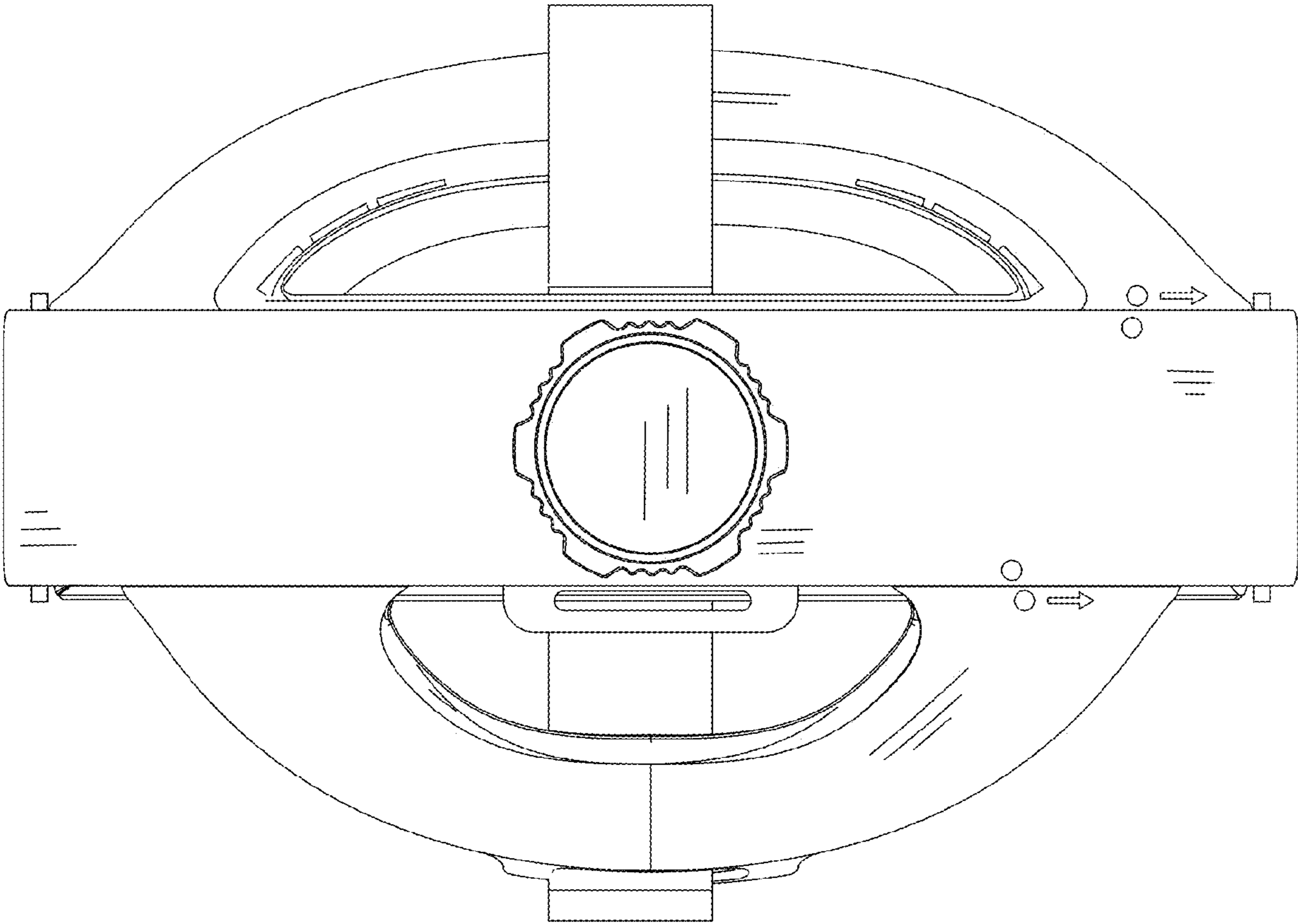


FIG. 4

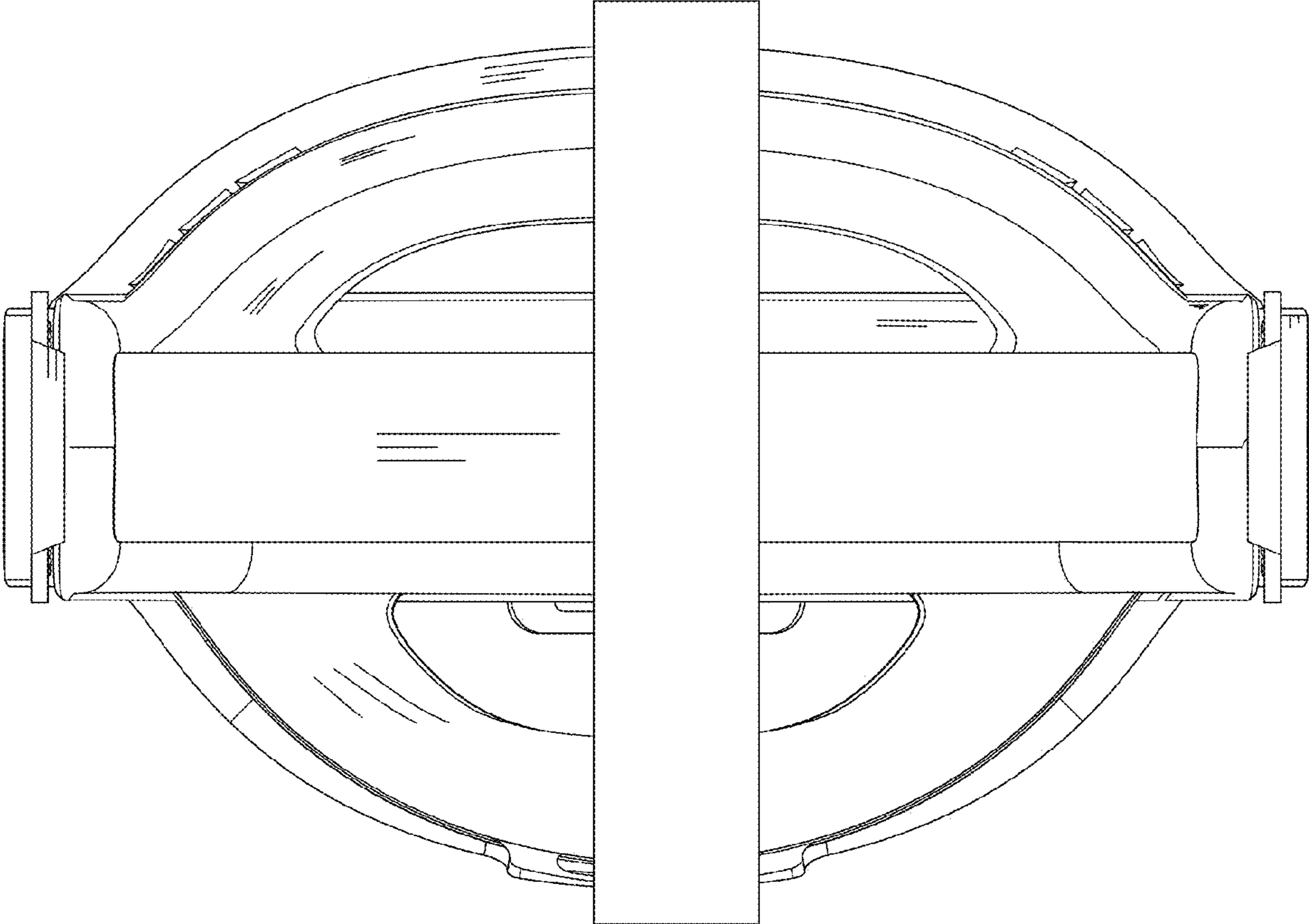


FIG. 5

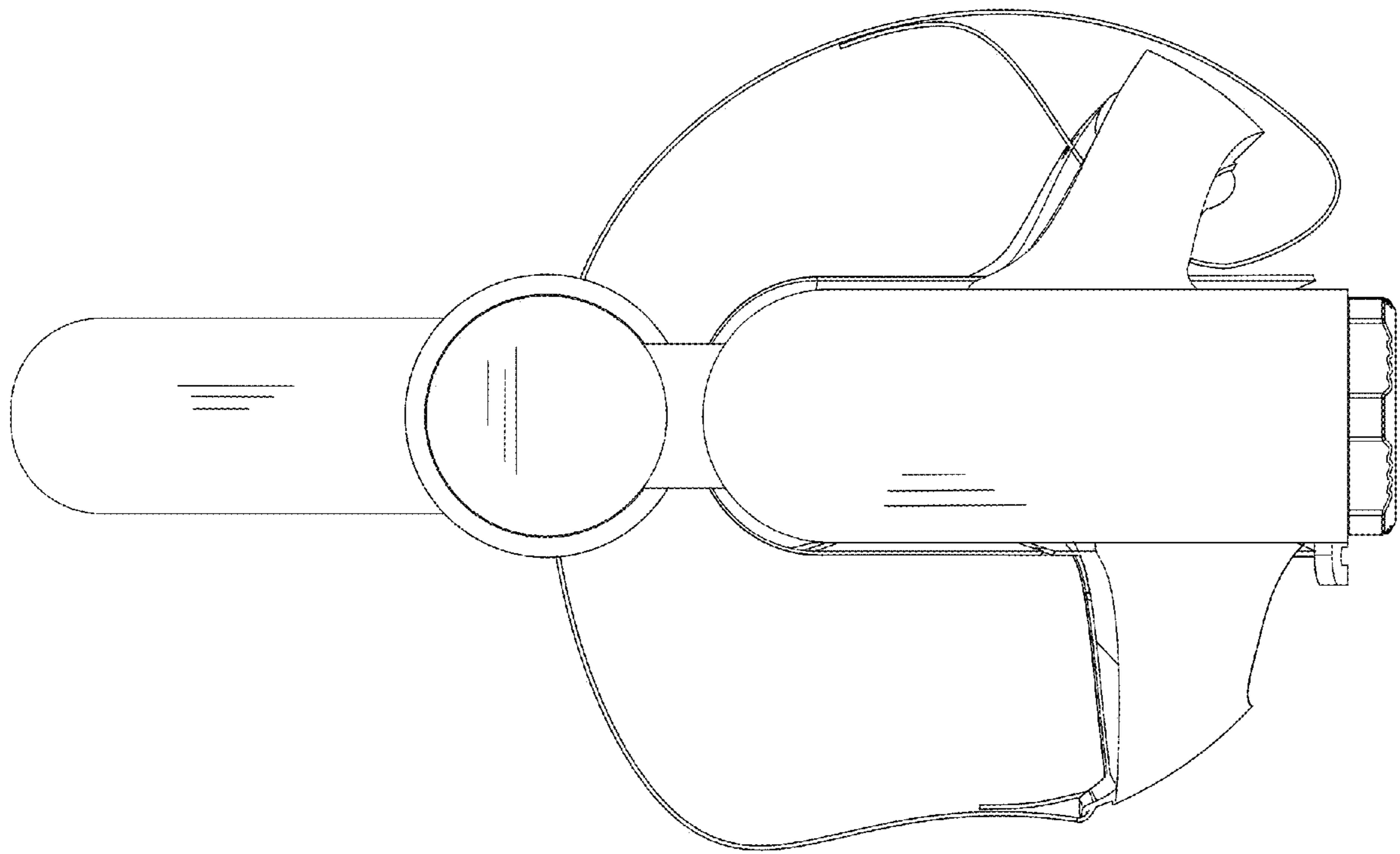


FIG. 6

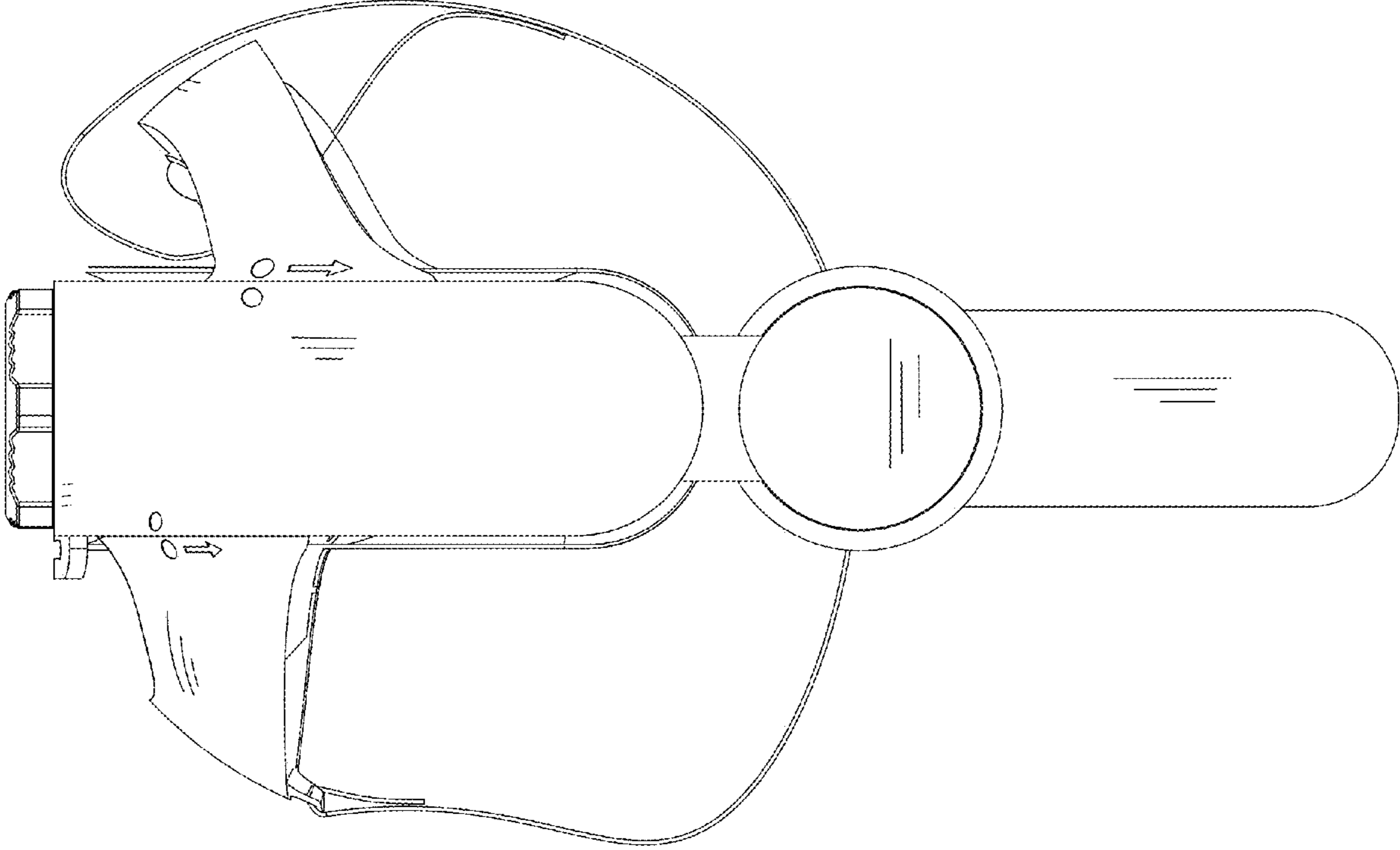


FIG. 7



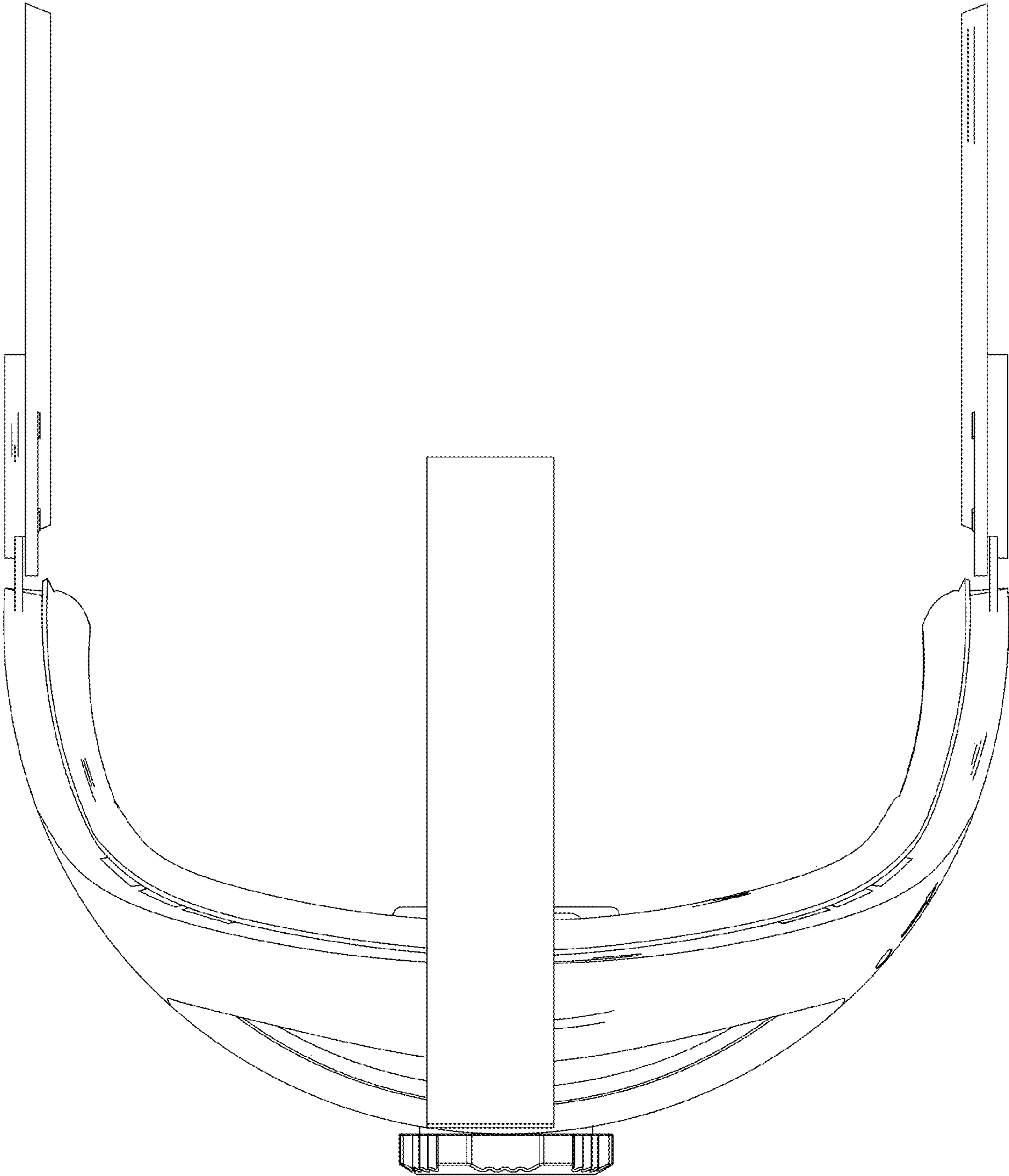


FIG. 8

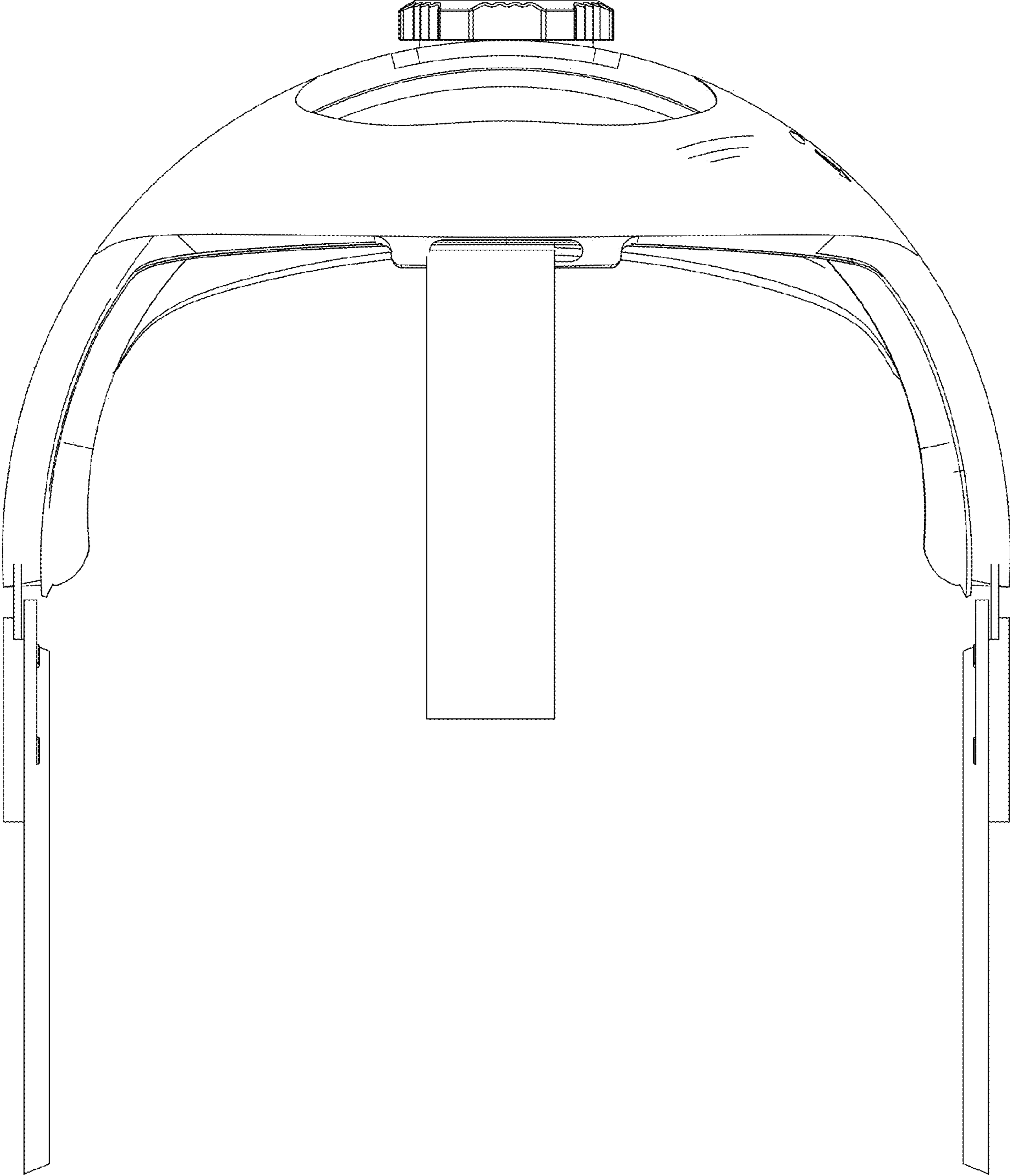


FIG. 9