



US00D959421S

(12) **United States Design Patent** (10) **Patent No.:** **US D959,421 S**  
**van de Ven** (45) **Date of Patent:** **\*\* Aug. 2, 2022**

(54) **KIOSK**  
(71) Applicant: **Future Cleaning Technologies B.V.**,  
Eindhoven (NL)  
(72) Inventor: **Frank Peter William van de Ven**,  
Eindhoven (NL)  
(73) Assignee: **Future Cleaning Technologies B.V.**,  
Eindhoven (NL)

D826,922 S \* 8/2018 Väänänen ..... D14/307  
D884,693 S \* 5/2020 Mangeot ..... D14/307  
D884,694 S \* 5/2020 Mangeot ..... D14/307  
D894,894 S \* 9/2020 Corre ..... D14/307  
D896,806 S \* 9/2020 Zheng ..... D14/307  
D902,919 S \* 11/2020 Carmona ..... D14/307  
D903,654 S \* 12/2020 Hansen ..... D14/307  
D928,869 S \* 8/2021 Zhang ..... D18/4.5  
D941,286 S \* 1/2022 Eun ..... D14/307

(\*\*) Term: **15 Years**

\* cited by examiner

*Primary Examiner* — Austin Murphy

(21) Appl. No.: **29/652,272**

(74) *Attorney, Agent, or Firm* — Adsero IP

(22) Filed: **Jul. 6, 2020**

(57) **CLAIM**

The ornamental design for a kiosk, as shown and described.

(30) **Foreign Application Priority Data**

**DESCRIPTION**

May 7, 2020 (EM) ..... 7876669-0002  
May 7, 2020 (EM) ..... 7876669-0004

(51) **LOC (13) Cl.** ..... **14-02**

(52) **U.S. Cl.**  
USPC ..... **D14/307**

(58) **Field of Classification Search**  
USPC ..... D14/167, 154, 168, 188, 496, 156, 160,  
D14/161, 162, 163, 164, 165, 158, 253,  
D14/192, 159, 155, 138 AB, 137, 104.1,  
D14/307; 455/351, 350, 353; D10/104,  
D10/106, 65, 78; 340/573.4, 573.1  
CPC ..... G08B 13/1672; G08B 13/19645; G08B  
25/006; H04M 11/04  
See application file for complete search history.

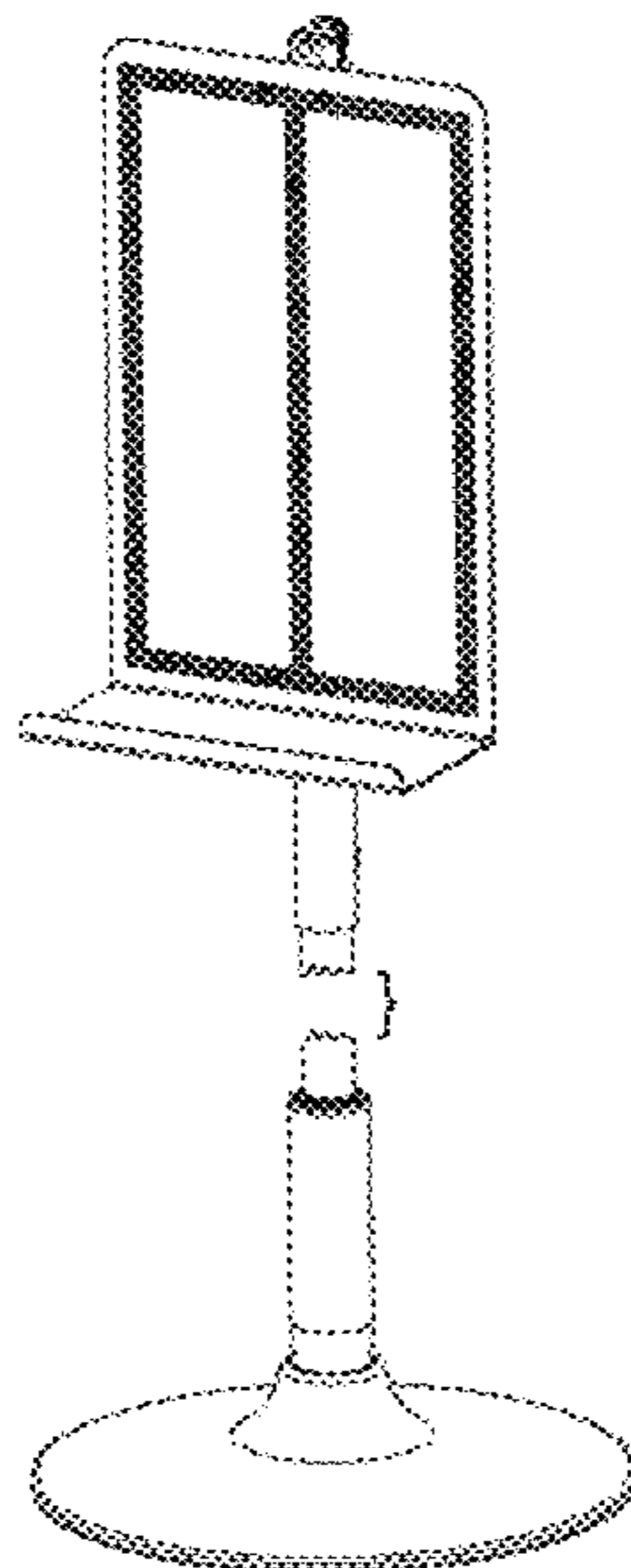
FIG. 1 is a front elevation view of a kiosk showing my new design;  
FIG. 2 is a rear elevation view of the kiosk of FIG. 1;  
FIG. 3 is a right-side elevation of the kiosk of FIG. 1, the left-side view being a mirror image thereof;  
FIG. 4 is a front, top, right perspective view of the kiosk of FIG. 1 with the dispenser shown in broken lines in FIG. 1 omitted, the front, top, left perspective view with the dispenser shown in broken lines in FIG. 1 omitted being a mirror image thereof;  
FIG. 5 is a front, top, right perspective view of the kiosk of FIG. 1, the front, top, left perspective view being a mirror image thereof;  
FIG. 6 is a bottom plan view of the kiosk of FIG. 1; and, FIG. 7 is a top plan view of the kiosk of FIG. 1.  
The broken lines showing portions of the design in all figures are included for the purpose of illustrating environment and unclaimed features and form no part of the claimed design. The appearance of any portion of the kiosk between the break lines in the vertical shaft shown in FIGS. 1, 2, 3, 4 and 5 forms no part of the claimed design.

(56) **References Cited**

**U.S. PATENT DOCUMENTS**

D211,579 S \* 7/1968 Codes, Jr. .... D14/307  
D373,584 S \* 9/1996 Anand ..... D14/371  
D661,291 S \* 6/2012 Renukanand ..... D14/307  
D662,992 S \* 7/2012 Hernandez ..... D20/19

**1 Claim, 3 Drawing Sheets**



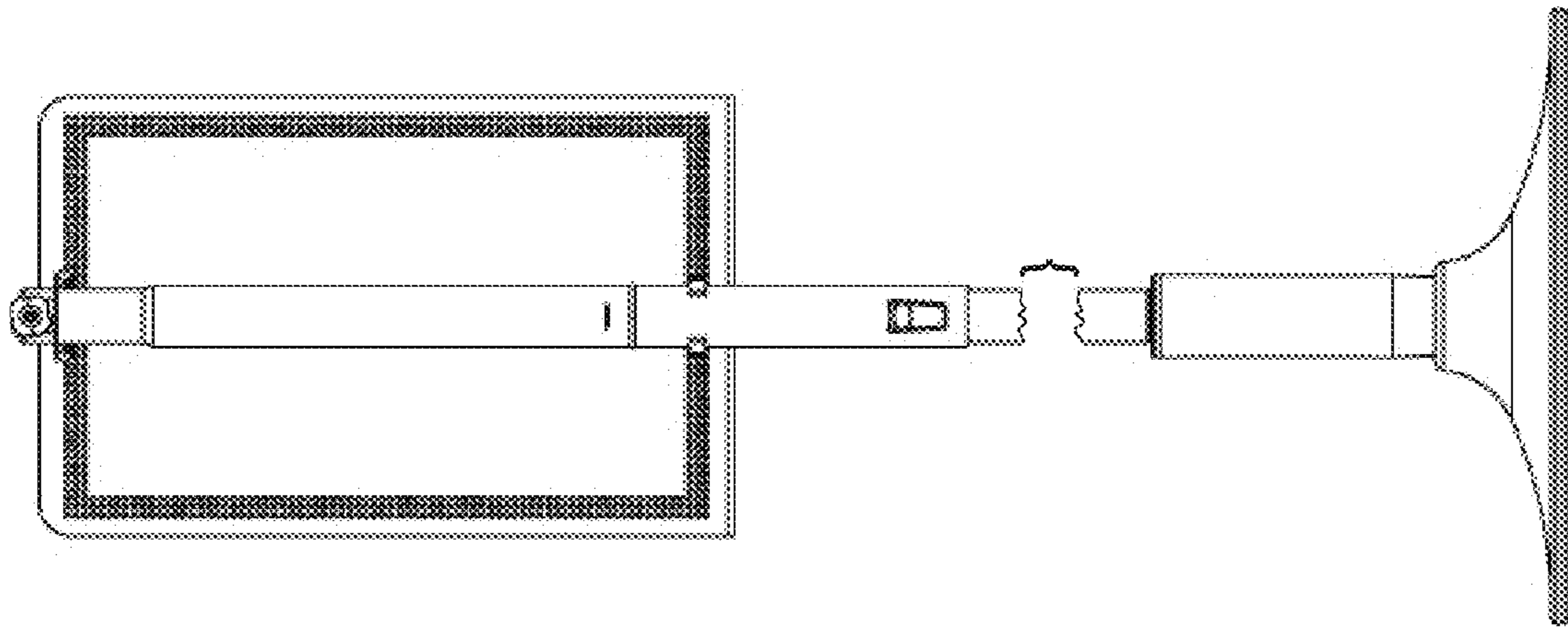


Fig. 2

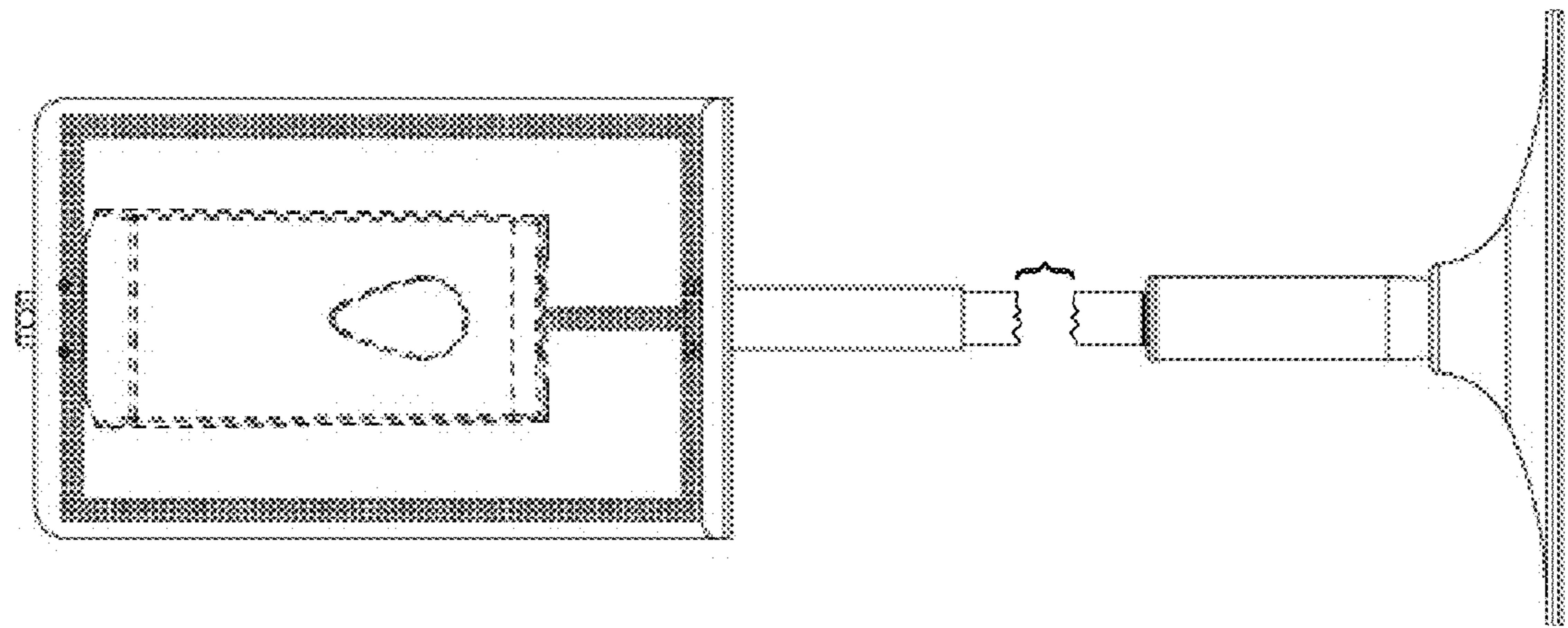


Fig. 1

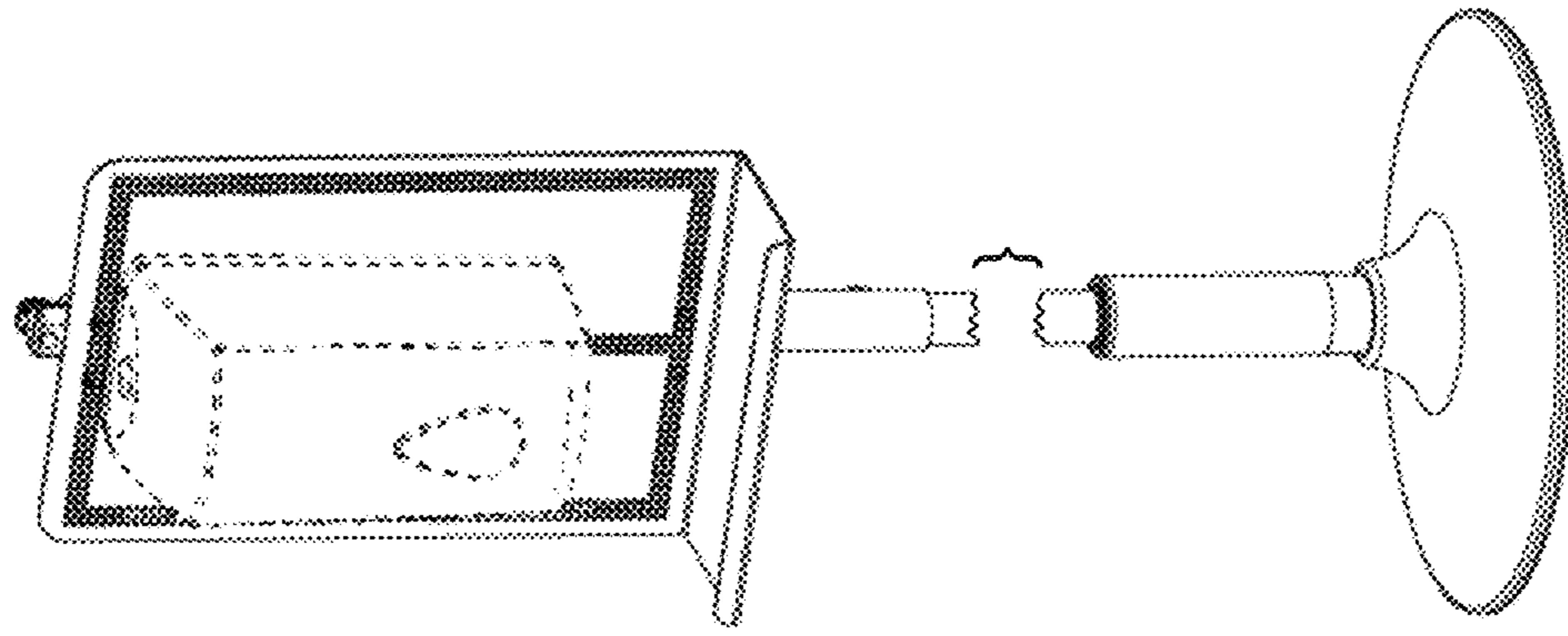


Fig. 5

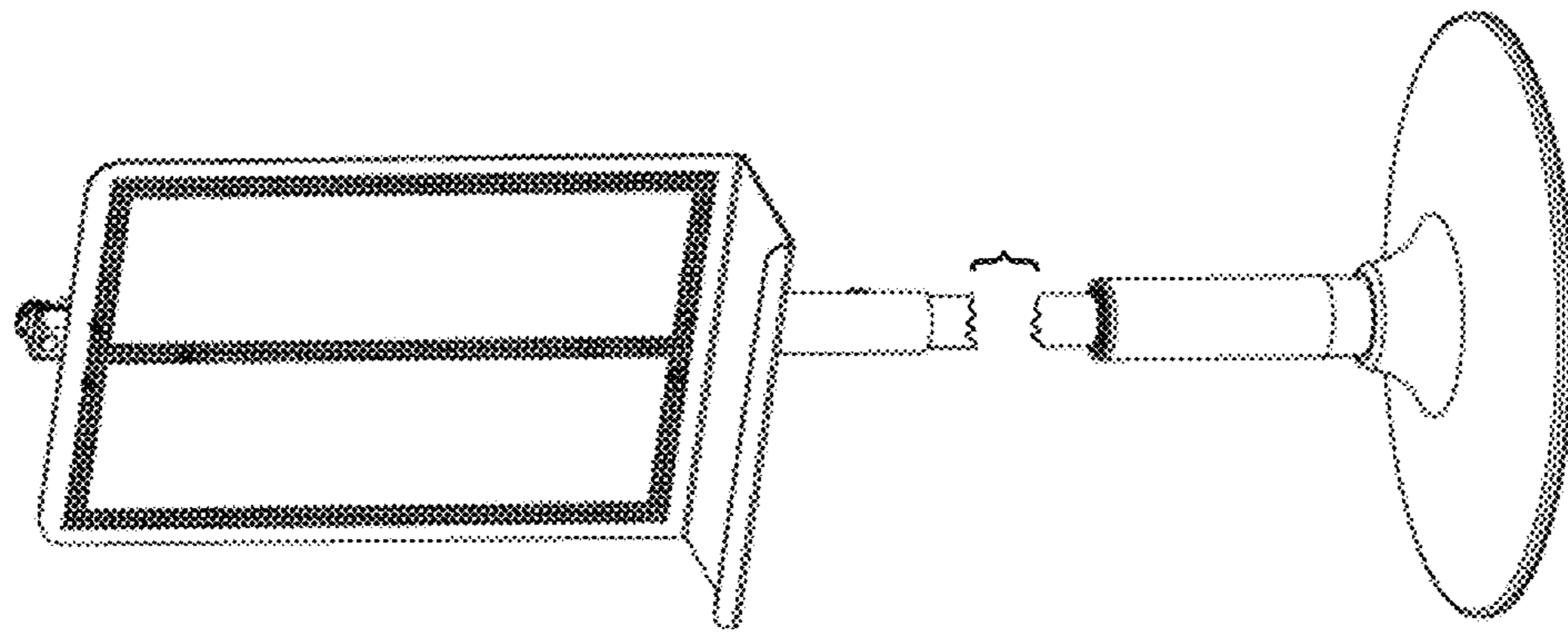


Fig. 4

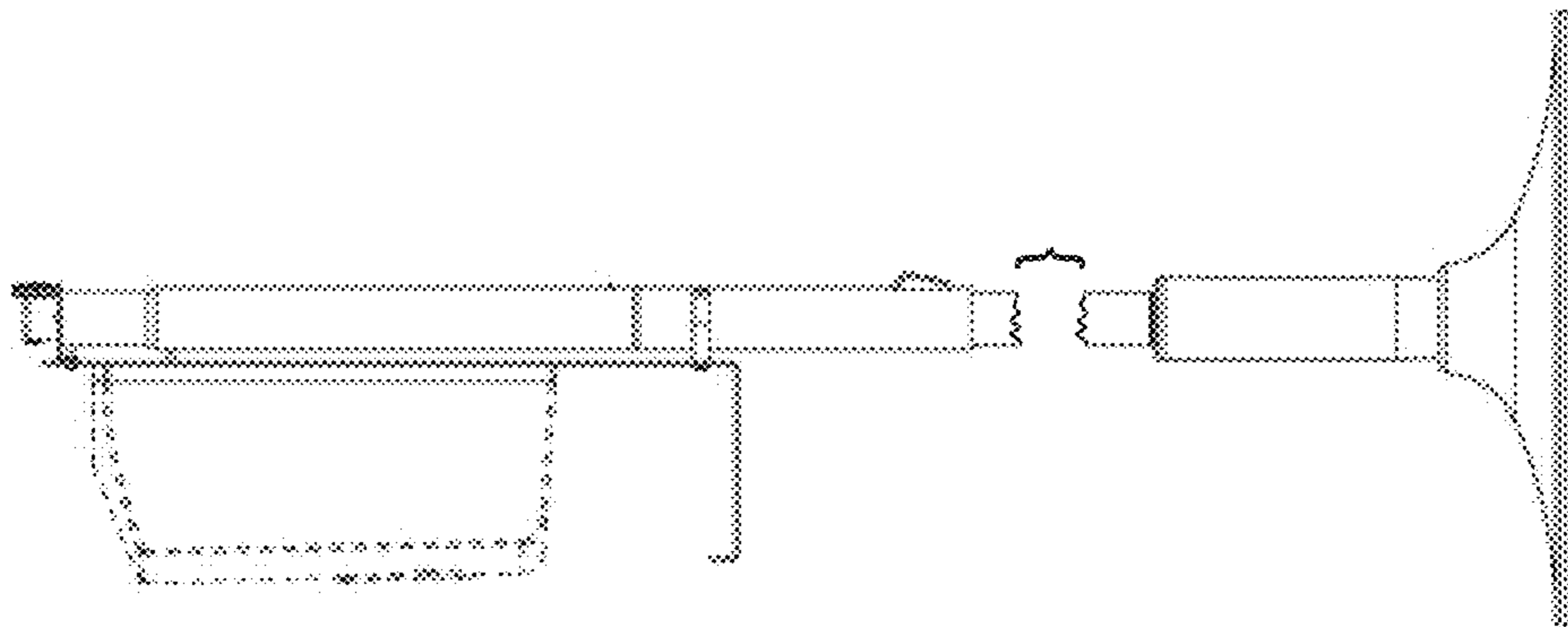


Fig. 3

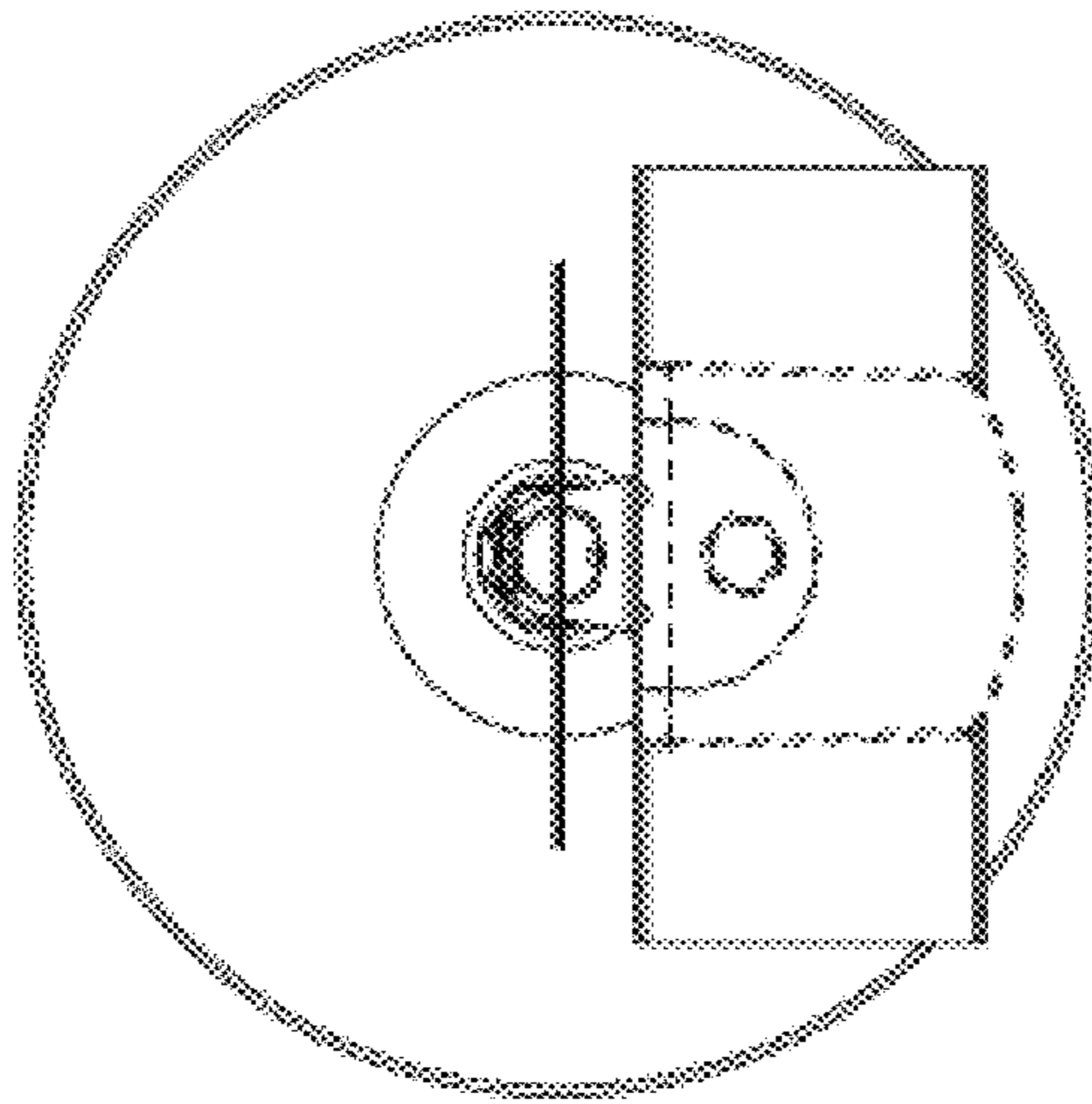


Fig. 7

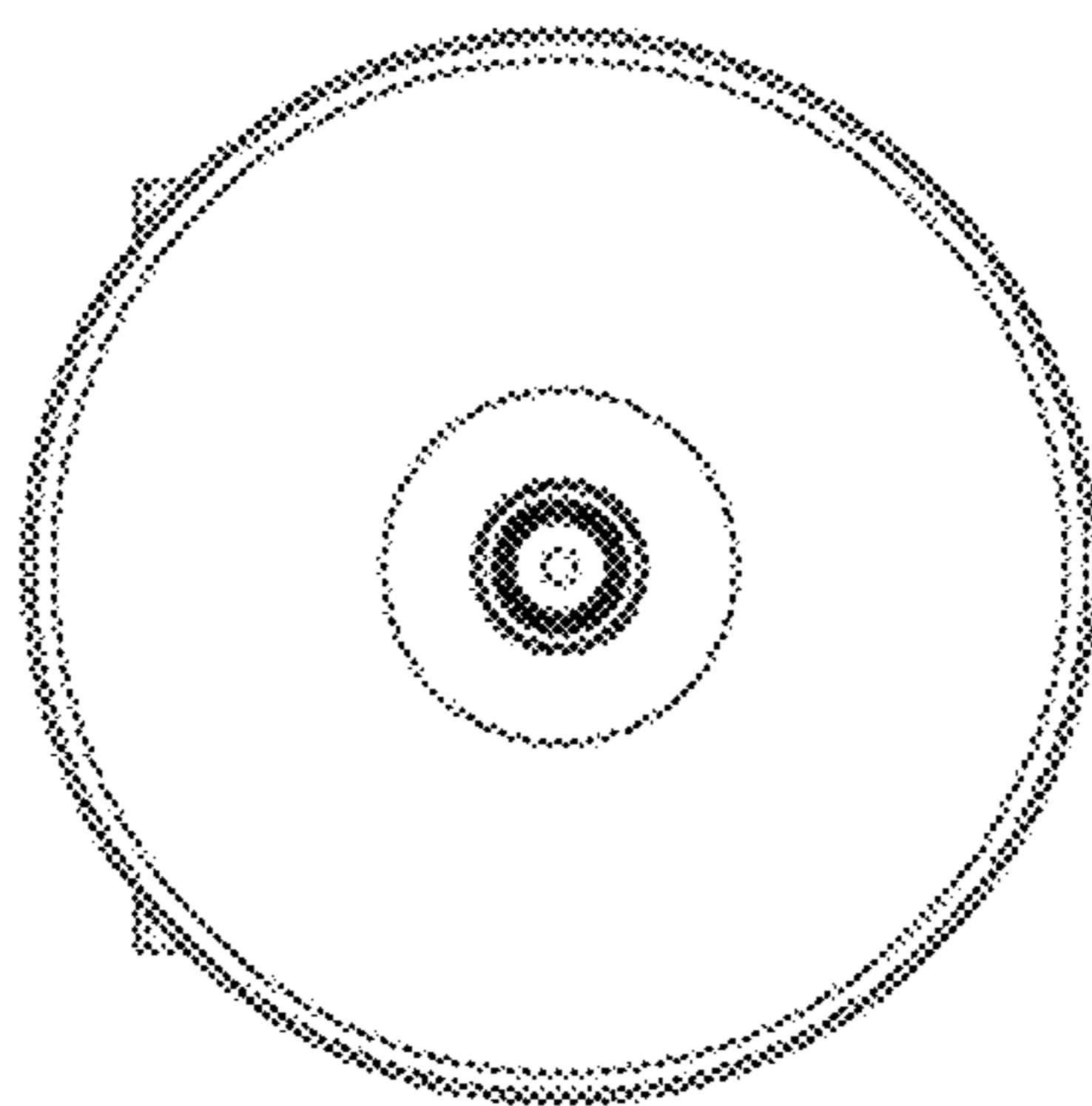


Fig. 6