



US00D959420S

(12) **United States Design Patent**
Gan

(10) **Patent No.:** **US D959,420 S**

(45) **Date of Patent:** **** Aug. 2, 2022**

(54) **MOBILE PHONE HOLDER**

(71) Applicant: **Jun Gan**, Guangdong (CN)

(72) Inventor: **Jun Gan**, Guangdong (CN)

(**) Term: **15 Years**

(21) Appl. No.: **29/794,139**

(22) Filed: **Jun. 10, 2021**

(51) **LOC (13) Cl.** **14-03**

(52) **U.S. Cl.**
USPC **D14/253**

(58) **Field of Classification Search**
USPC D14/251–253, 439, 240, 447; D3/218;
D12/415
CPC H04M 1/04; H04M 1/0279; A45F
2200/0516; A45F 5/00; A45F 2200/0525;
A45C 2011/002; A45C 2011/003; B60R
11/0241
See application file for complete search history.

(56) **References Cited**

U.S. PATENT DOCUMENTS

D560,068 S *	1/2008	Dixon	A45F 5/02 D3/218
D564,220 S *	3/2008	Dixon	A45F 5/02 D3/218
D592,188 S *	5/2009	Huang	D14/447
D630,222 S *	1/2011	Lin	D14/447
D637,593 S *	5/2011	Zanetti	D14/253
D640,707 S *	6/2011	Yeh	D14/447
D646,674 S *	10/2011	Liao	D14/253
D652,836 S *	1/2012	Voorhees	D14/238.1
D660,306 S *	5/2012	Voorhees	D14/238.1
D669,890 S *	10/2012	Hopkins	D14/251
D673,960 S *	1/2013	Lindfield	D14/447
D686,629 S *	7/2013	Trinh	D14/447
D691,148 S *	10/2013	Weatherby, III	D14/447
D692,436 S *	10/2013	Hung	D14/447

D697,515 S *	1/2014	Adelman	D14/447
D719,951 S *	12/2014	Fenton	D14/253
9,297,495 B2 *	3/2016	Fischer	F16M 11/041
D759,005 S *	6/2016	Murakami	D14/251
D764,478 S *	8/2016	Radmard	H04M 1/11 D14/440
D769,852 S *	10/2016	Godycki	D14/250
D770,171 S *	11/2016	Lai	D3/218
D772,859 S *	11/2016	Alesi	D14/253
D784,923 S *	4/2017	Song	D13/108
D800,106 S *	10/2017	Godycki	D14/250
D800,107 S *	10/2017	Godycki	D14/250
D804,487 S *	12/2017	Theis	D14/447
9,969,450 B1 *	5/2018	Lu	B62J 45/10
10,001,153 B1 *	6/2018	Fan	F16M 13/00
D829,203 S *	9/2018	Chen	D14/253
D849,750 S *	5/2019	Armstrong	D14/440
D852,188 S *	6/2019	He	D12/415
D860,114 S *	9/2019	He	D12/415

(Continued)

Primary Examiner — Janice Hallmark

(74) *Attorney, Agent, or Firm* — ScienBiziP, P.C.

(57) **CLAIM**

The ornamental design for a mobile phone holder, as shown and described.

DESCRIPTION

FIG. 1 is a front, right, and top perspective view of a mobile phone holder, showing my design.

FIG. 2 is a rear, right, and top perspective view thereof.

FIG. 3 is a front elevation view thereof.

FIG. 4 is a rear elevation view thereof.

FIG. 5 is a left side elevation view thereof.

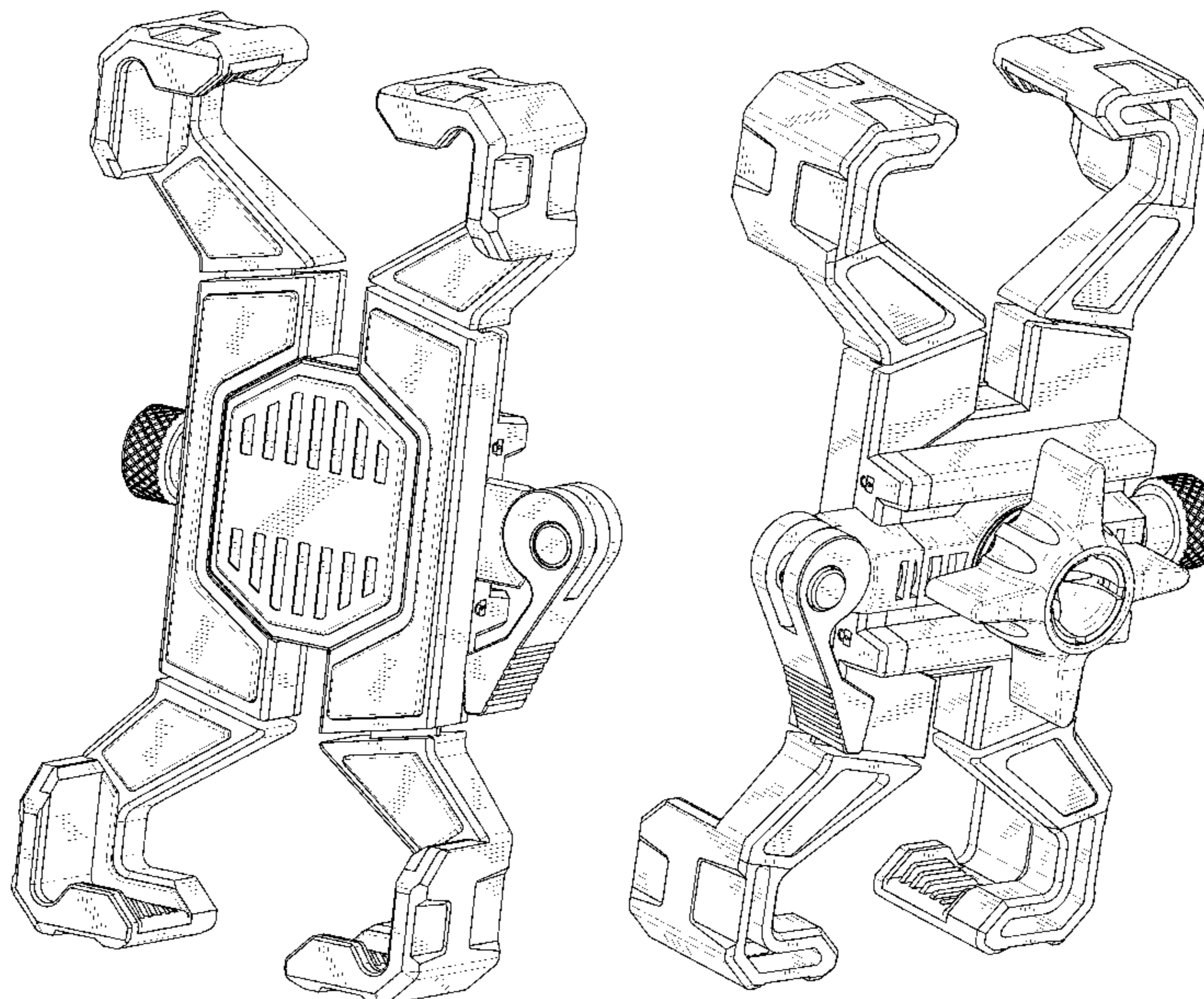
FIG. 6 is a right side elevation view thereof.

FIG. 7 is a top plan view thereof.

FIG. 8 is a bottom plan view thereof; and,

FIG. 9 is a front, right, and top perspective view of the mobile phone holder, wherein legs of the mobile phone holder are extended.

1 Claim, 9 Drawing Sheets



(56)

References Cited

U.S. PATENT DOCUMENTS

D863,205 S * 10/2019 Lin D12/415
 D870,095 S * 12/2019 Hu D14/253
 D881,551 S * 4/2020 Feng D14/447
 D886,094 S * 6/2020 Xu D14/253
 D889,454 S 7/2020 Liu
 10,711,812 B2 * 7/2020 Liu F16B 2/185
 D892,787 S 8/2020 Chen
 D894,168 S * 8/2020 Lou D14/253
 D896,215 S * 9/2020 Li D14/253
 D897,328 S * 9/2020 Eulette D14/250
 D903,652 S * 12/2020 Qiu D14/253
 D910,612 S * 2/2021 Xiao D14/253
 D914,664 S * 3/2021 Lin D14/253
 10,946,811 B1 * 3/2021 Chen H04B 1/3877
 D916,694 S * 4/2021 Xiao D14/253
 D928,041 S * 8/2021 Jones D12/114
 D929,391 S * 8/2021 Chen D14/253
 D934,229 S * 10/2021 Chapuis D14/447
 D936,645 S * 11/2021 Deng D12/114
 D941,827 S * 1/2022 You D14/447
 D942,440 S * 2/2022 Chapuis D14/447
 2010/0295228 A1 * 11/2010 Woody B60R 11/0258
 269/254 R
 2012/0074272 A1 * 3/2012 Hull F16M 11/041
 248/122.1
 2012/0234055 A1 * 9/2012 Bland, III F16M 13/00
 70/14
 2013/0105644 A1 * 5/2013 Yu F16M 11/14
 248/125.7

* cited by examiner

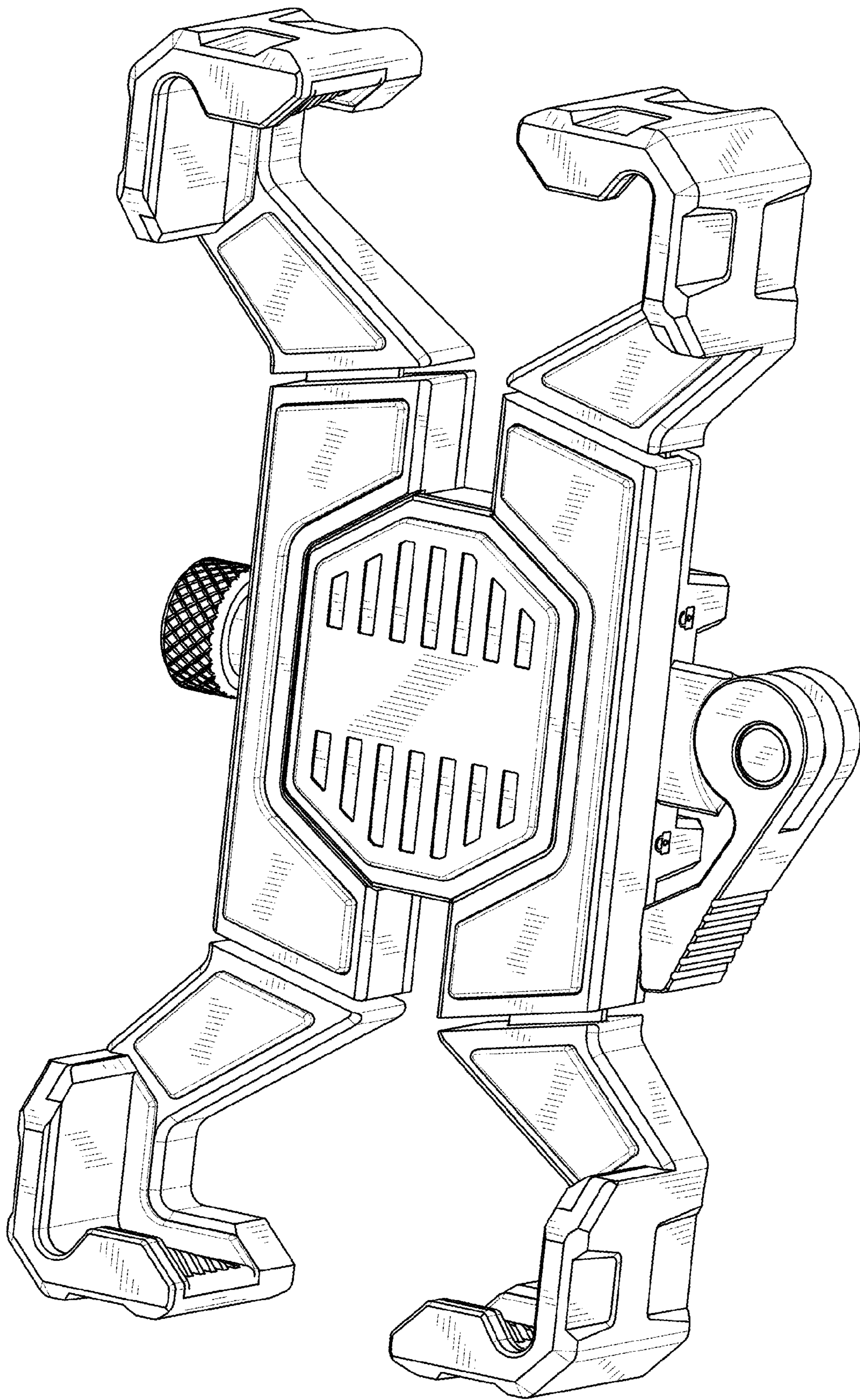


FIG. 1

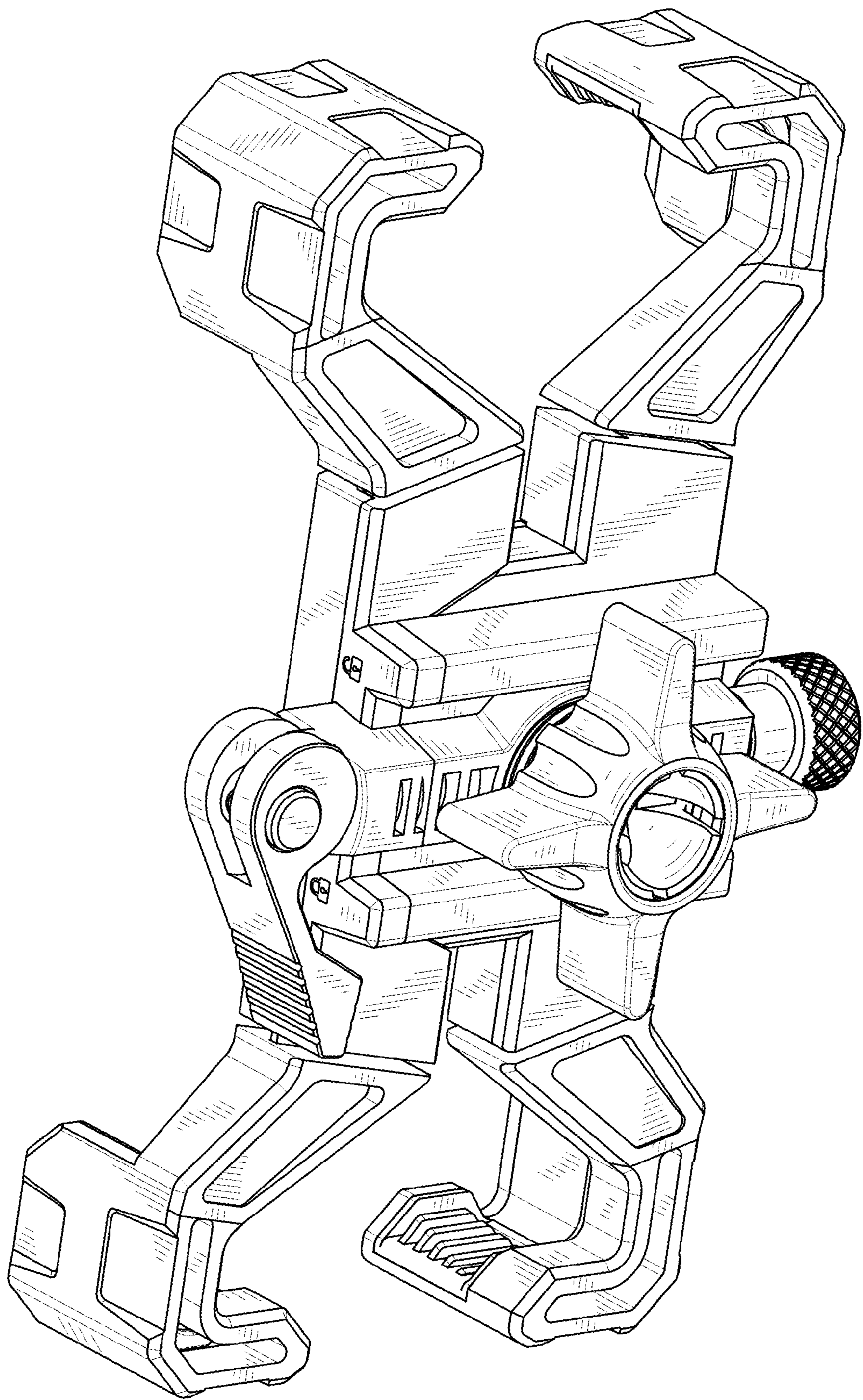


FIG. 2

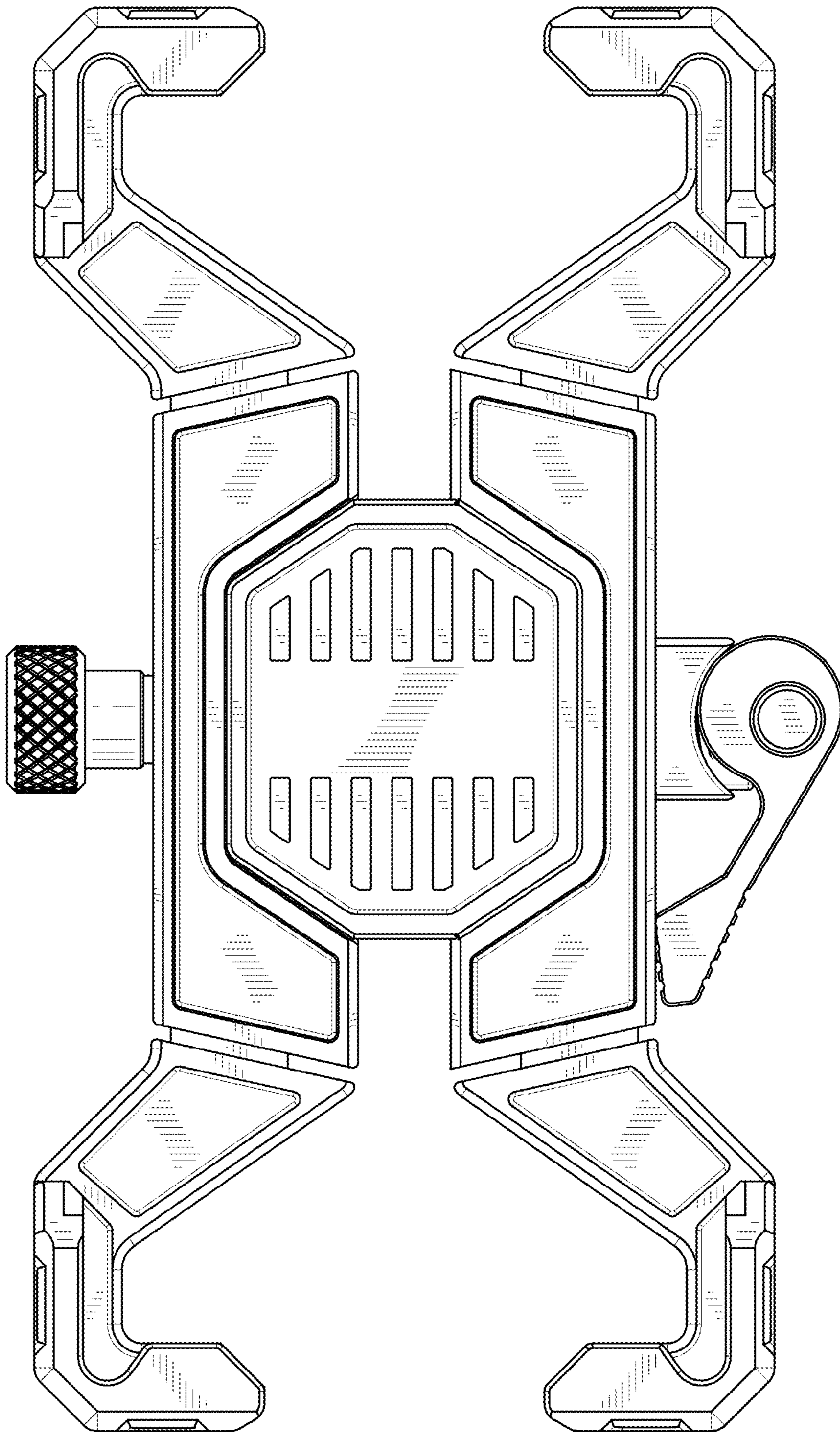


FIG. 3

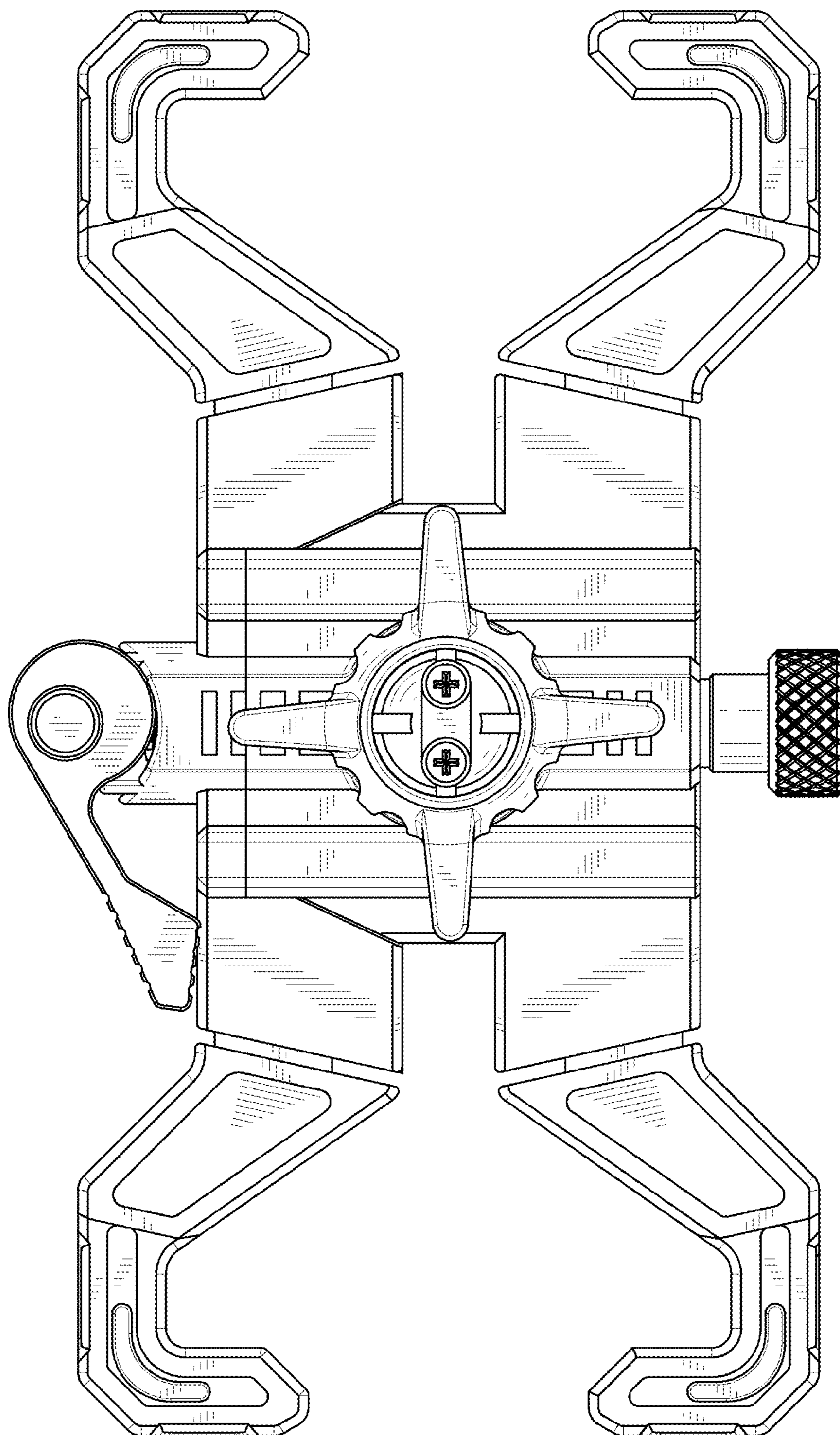


FIG. 4

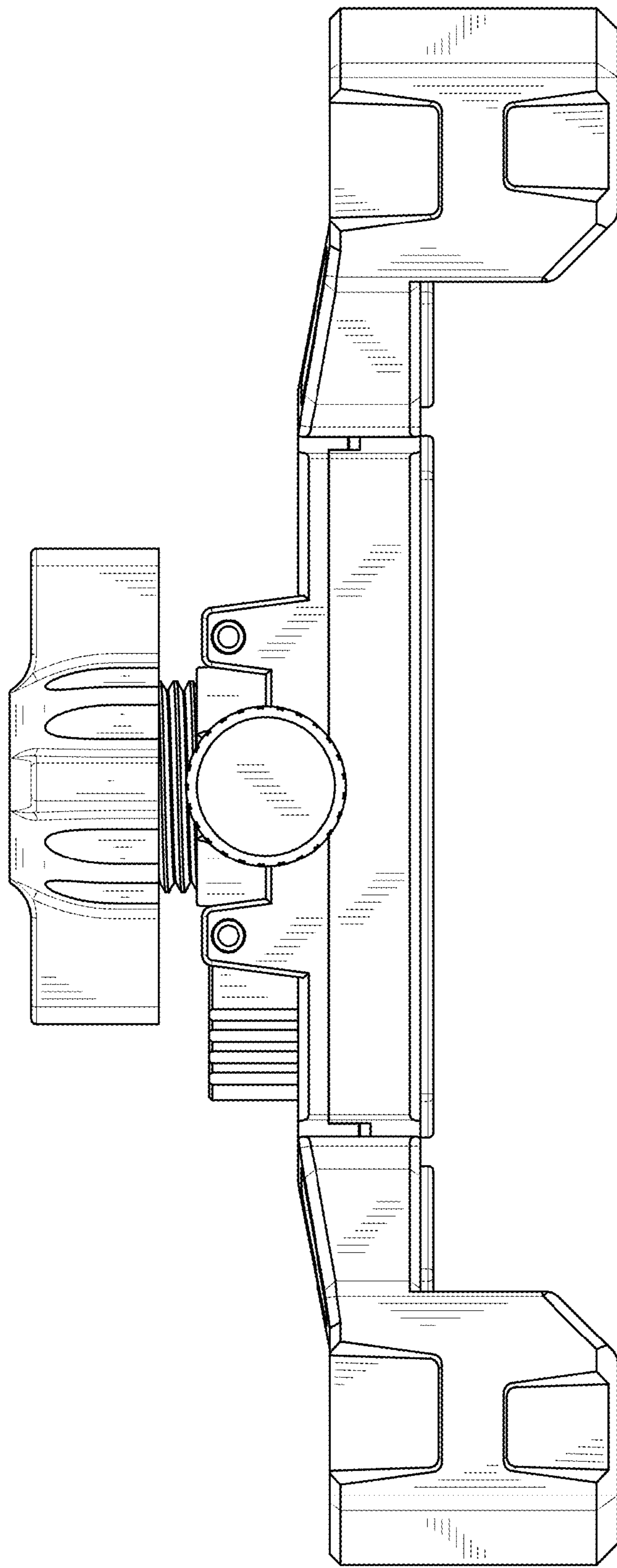


FIG. 5

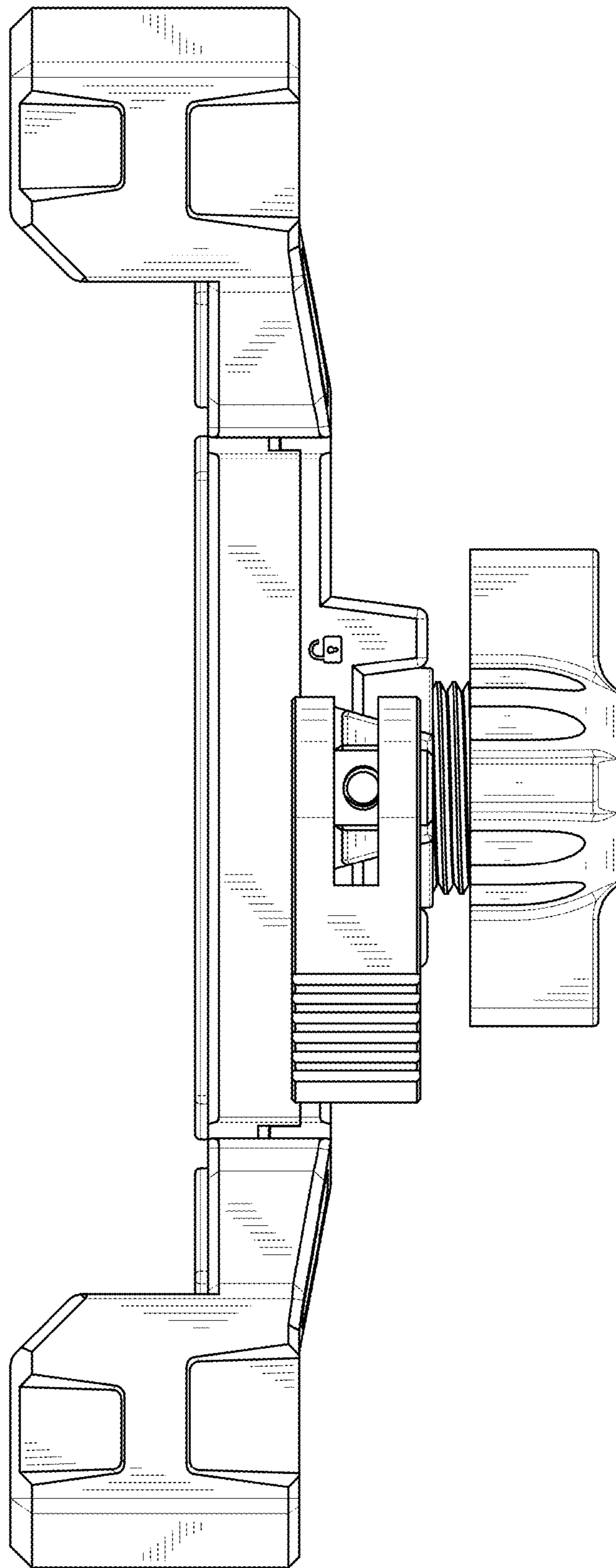


FIG. 6

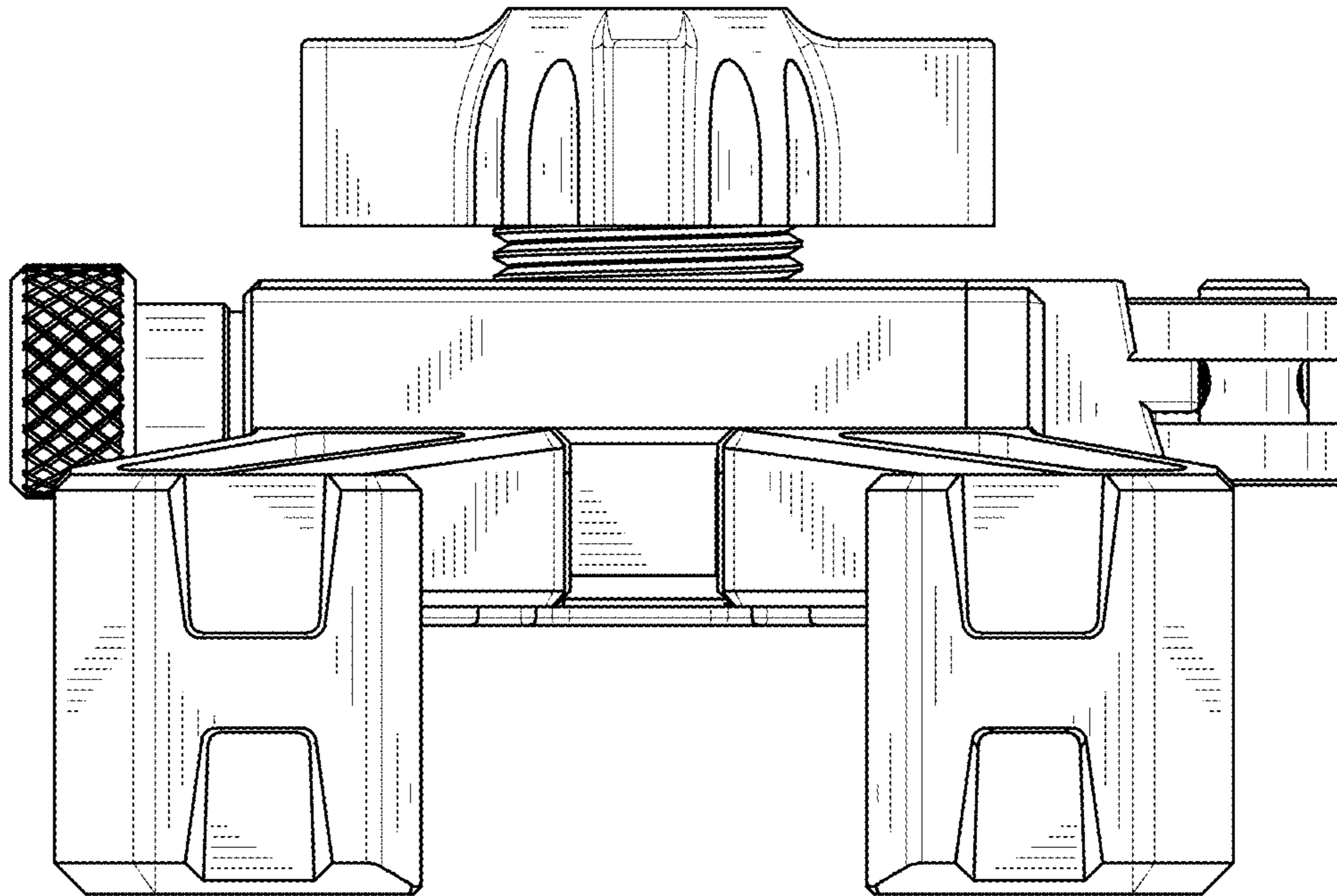


FIG. 7

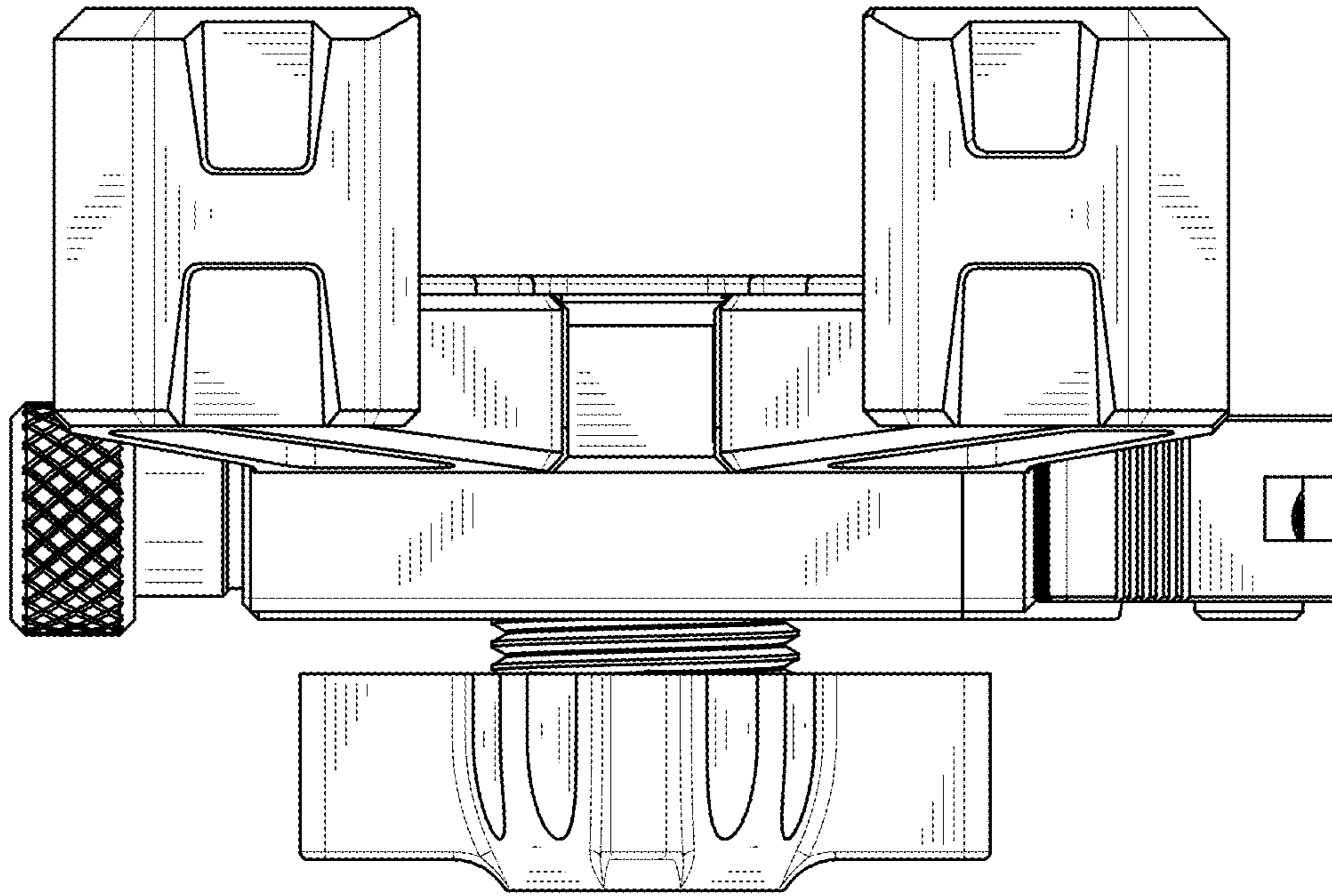


FIG. 8

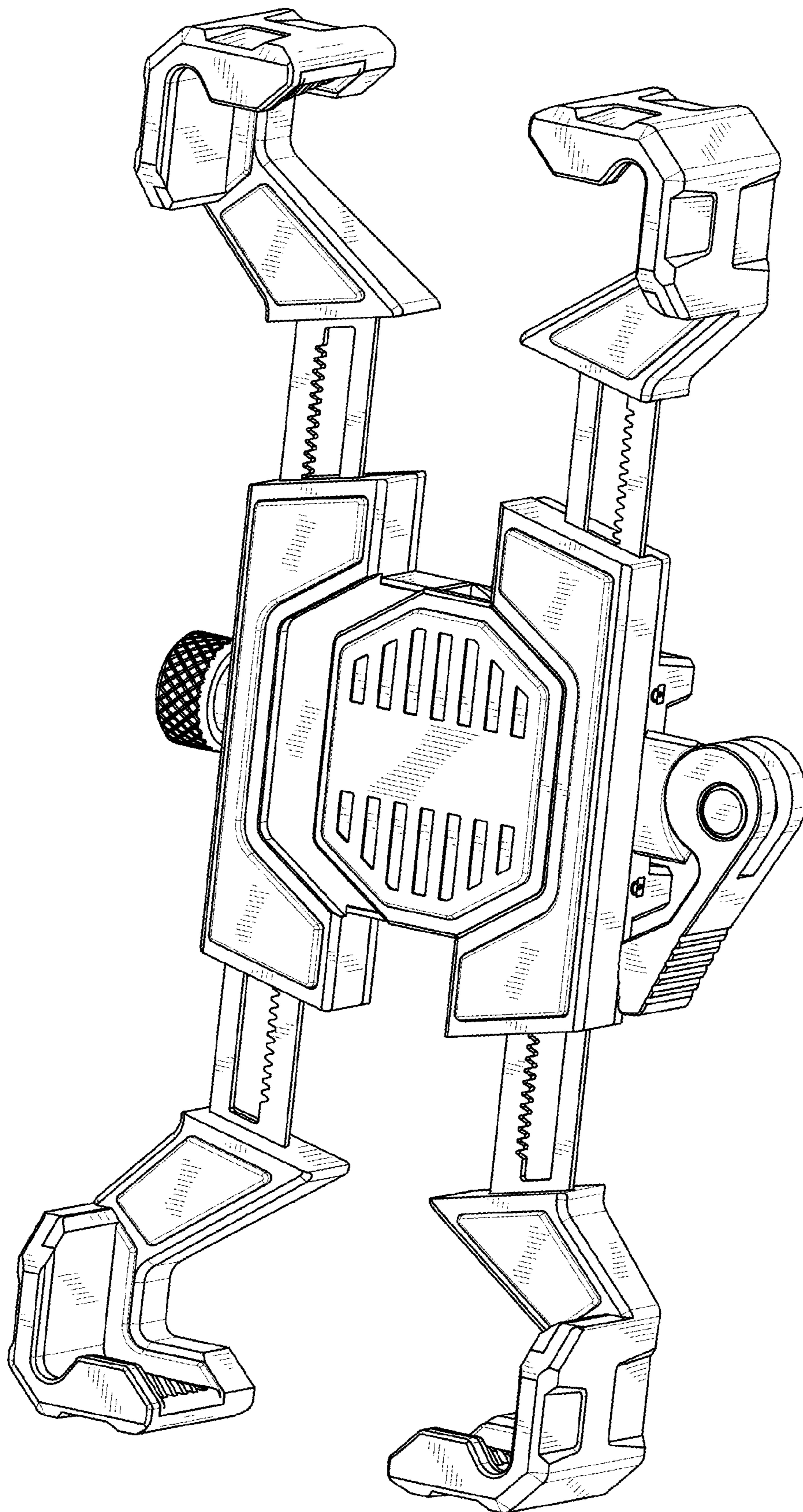


FIG. 9