



US00D959419S

(12) **United States Design Patent**  
**Cheng**

(10) **Patent No.:** **US D959,419 S**

(45) **Date of Patent:** **\*\* Aug. 2, 2022**

- (54) **MOBILE PHONE HOLDER**
- (71) Applicant: **Hongliang Cheng**, Guangdong (CN)
- (72) Inventor: **Hongliang Cheng**, Guangdong (CN)
- (73) Assignee: **Shenzhen Shichen Technology Co., Ltd.**, Shenzhen (CN)
- (\*\*) Term: **15 Years**
- (21) Appl. No.: **29/755,804**
- (22) Filed: **Oct. 22, 2020**
- (51) **LOC (13) Cl.** ..... **14-03**
- (52) **U.S. Cl.**  
USPC ..... **D14/253**; D16/242
- (58) **Field of Classification Search**  
USPC ..... D14/251–253, 439, 240, 447; D3/218;  
D12/415, 407; D16/242–245  
CPC ..... H04M 1/04; H04M 1/0279; A45F  
2200/0516; A45F 5/00; A45F 2200/0525;  
A45C 2011/002; A45C 2011/003; B60R  
11/0241  
See application file for complete search history.

D886,094 S *	6/2020	Xu .....	D14/253
D889,528 S *	7/2020	Kowalski .....	D16/242
D903,653 S *	12/2020	Liu .....	D14/253
D908,779 S *	1/2021	Lenihan .....	D16/242
D909,362 S *	2/2021	Cheng .....	D14/253
D909,393 S *	2/2021	Benett .....	D14/447
D941,827 S *	1/2022	You .....	D14/447
D942,461 S *	2/2022	Chen .....	D14/447
D943,019 S *	2/2022	Lee .....	D16/242
D945,410 S *	3/2022	Tang .....	D14/253
D945,517 S *	3/2022	Wu .....	D16/242
2012/0074272 A1 *	3/2012	Hull .....	F16M 11/041 248/122.1
2012/0175474 A1 *	7/2012	Barnard .....	F16M 11/14 248/122.1
2014/0182815 A1 *	7/2014	Shih .....	B62J 50/225 224/420

\* cited by examiner

*Primary Examiner* — Janice Hallmark

(57) **CLAIM**

The ornamental design for a mobile phone holder, as shown and described.

**DESCRIPTION**

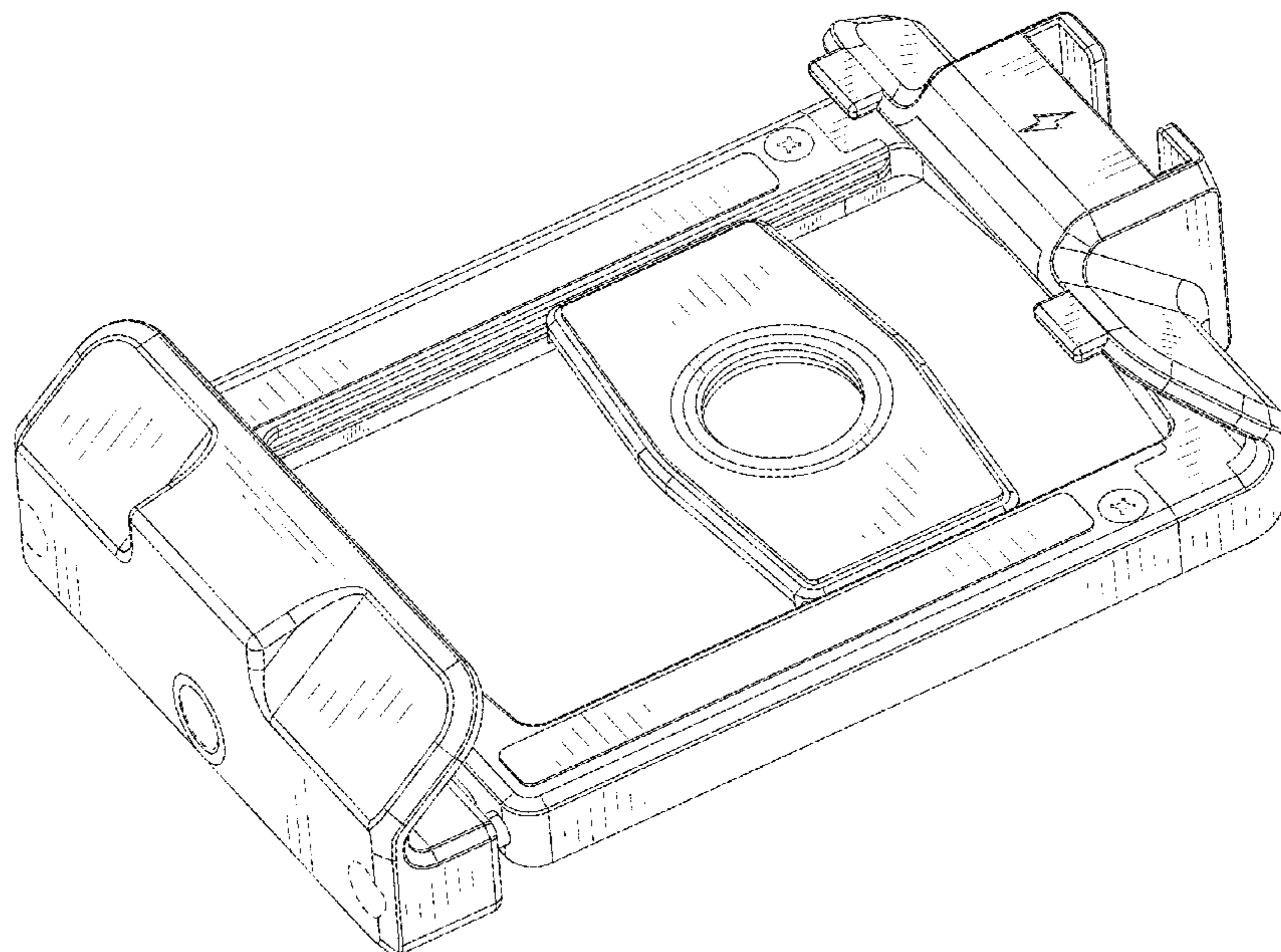
FIG. 1 is a perspective view of a mobile phone holder showing my new design;  
 FIG. 2 is a front elevational view thereof;  
 FIG. 3 is a rear elevational view thereof;  
 FIG. 4 is a left side elevational view thereof;  
 FIG. 5 is a right side elevational view thereof;  
 FIG. 6 is a top plan view thereof;  
 FIG. 7 is a bottom plan view thereof; and,  
 FIG. 8 is another perspective view thereof.  
 The broken lines throughout the drawing figures depict portions of the mobile phone holder that form no part of the claimed design.

**1 Claim, 8 Drawing Sheets**

(56) **References Cited**

**U.S. PATENT DOCUMENTS**

D564,220 S *	3/2008	Dixon .....	A45F 5/02 D3/218
D742,386 S *	11/2015	Rost .....	D14/447
D772,859 S *	11/2016	Alesi .....	D14/253
D790,528 S *	6/2017	Lindloff .....	D14/253
D798,942 S *	10/2017	Zheng .....	D16/242
D805,083 S *	12/2017	Hamra .....	D14/447
9,969,450 B1 *	5/2018	Lu .....	B62J 45/10
D840,995 S *	2/2019	Balmer .....	D14/253
D851,162 S *	6/2019	Bergman .....	D16/242
D854,603 S *	7/2019	Imai .....	D16/242
D882,671 S *	4/2020	Yang .....	D16/242



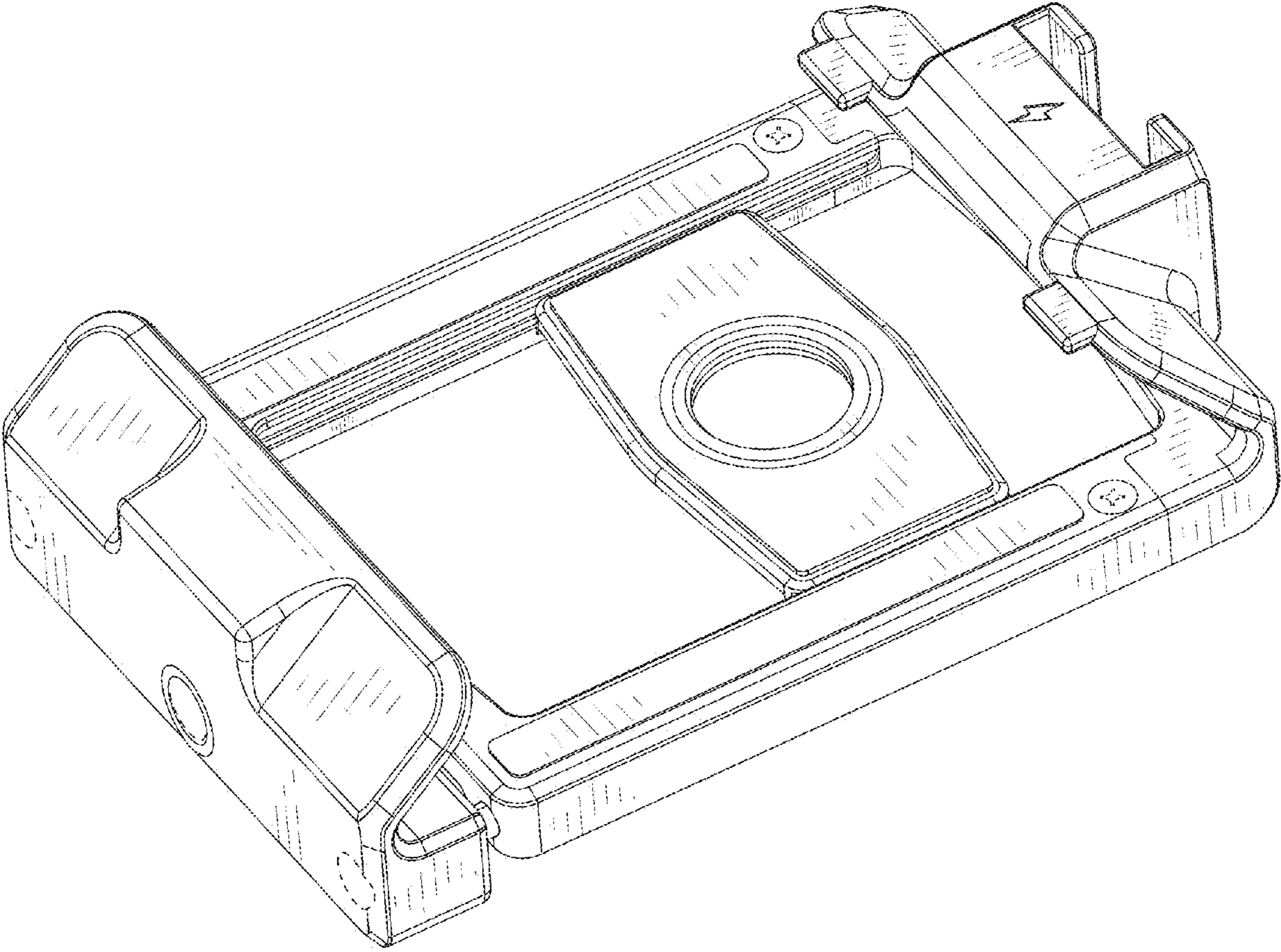


FIG.1

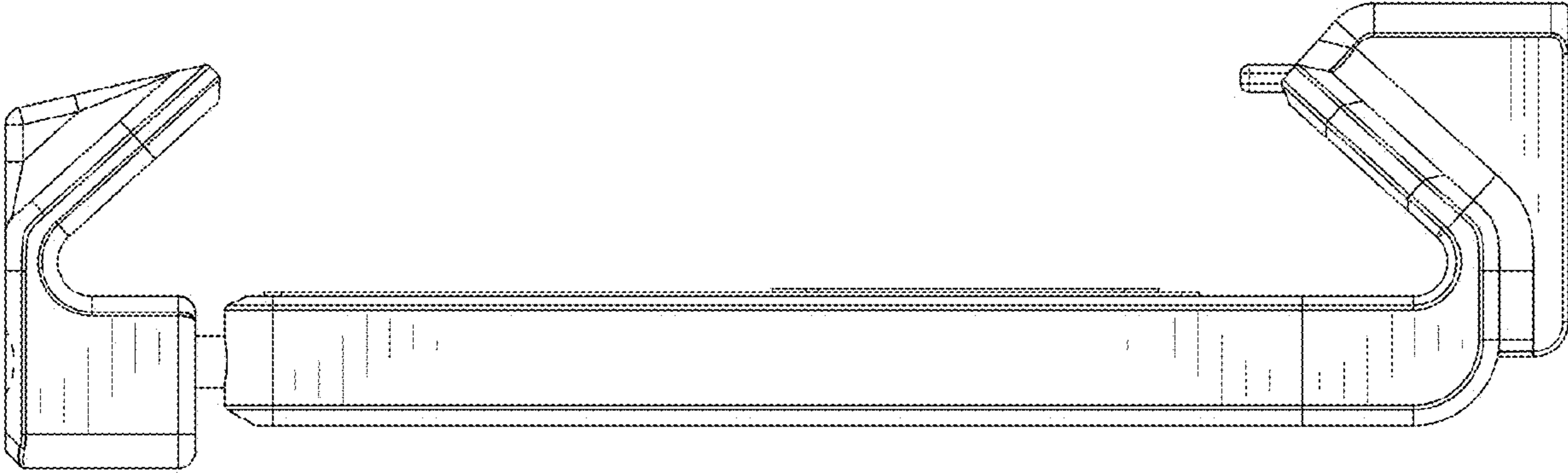


FIG.2

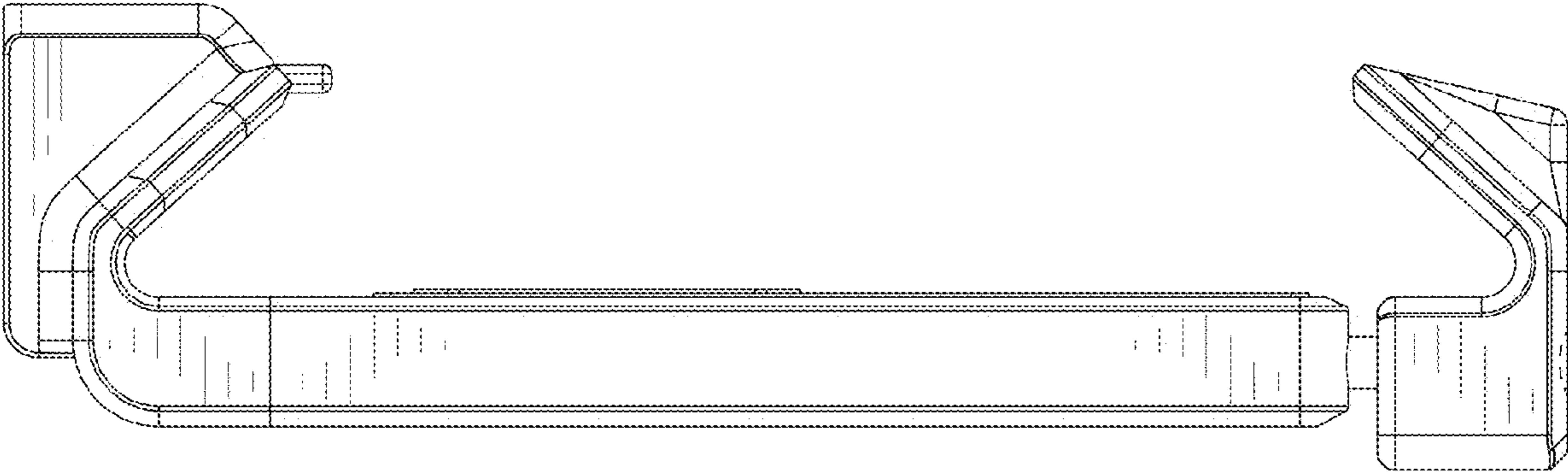


FIG.3

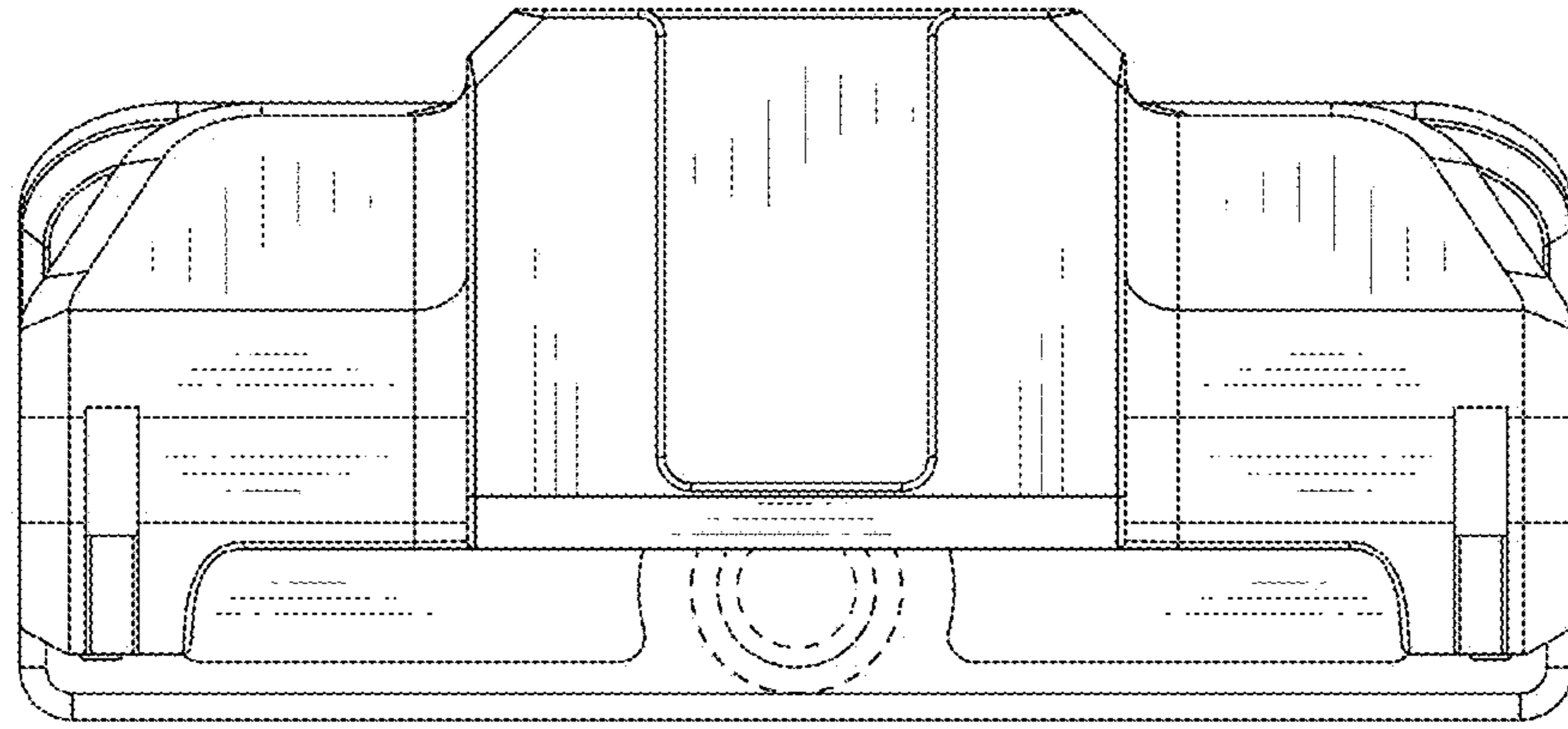


FIG.4

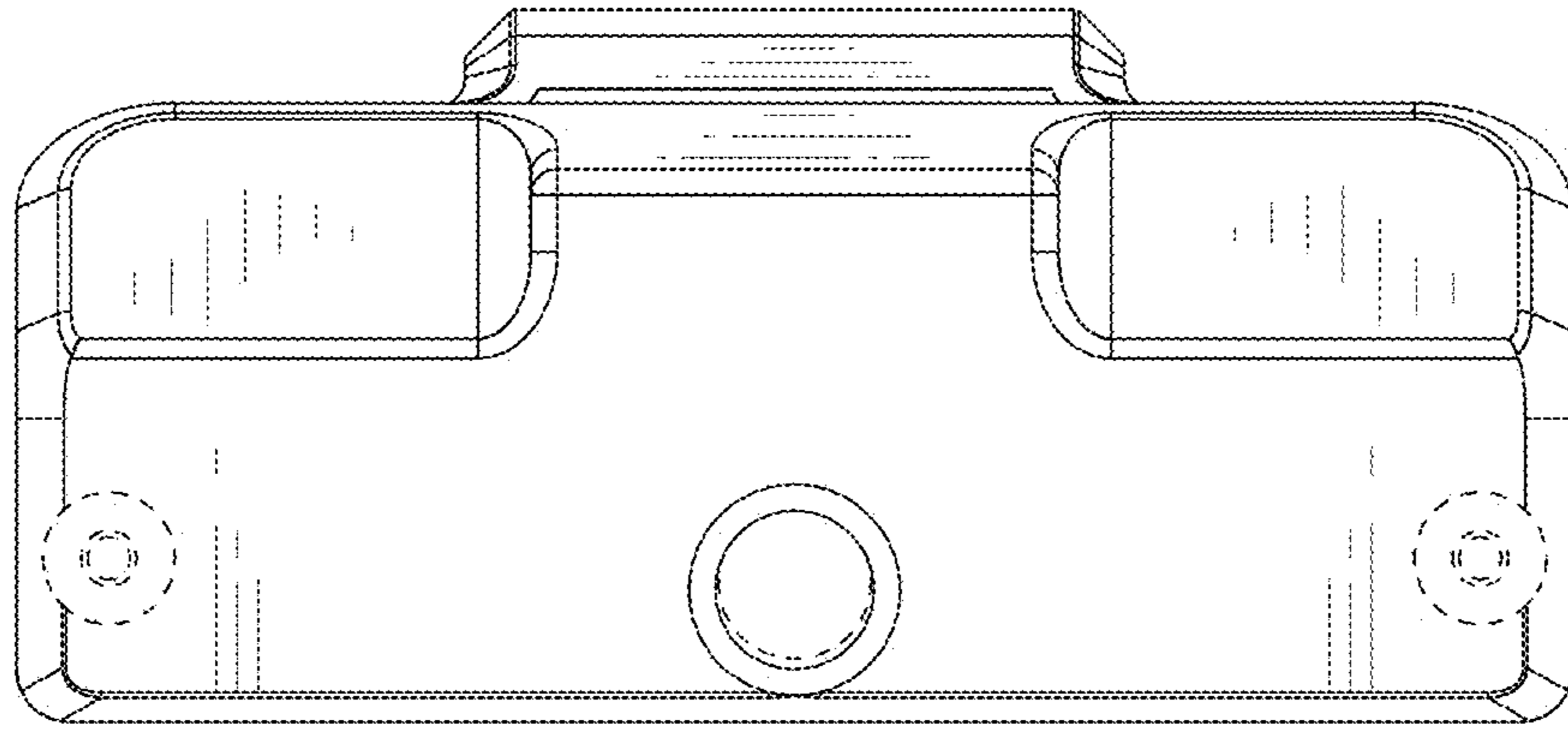


FIG.5

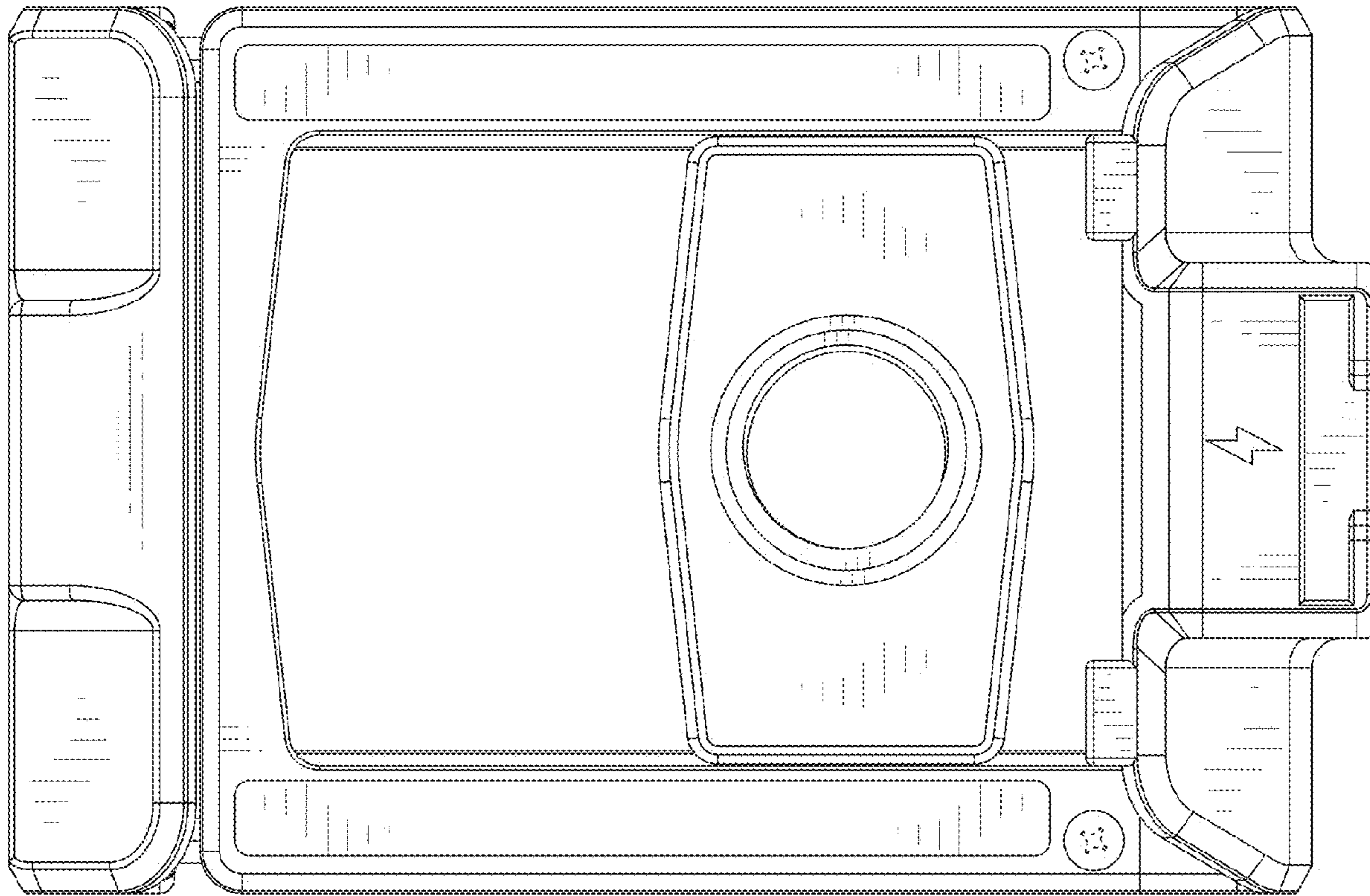


FIG.6

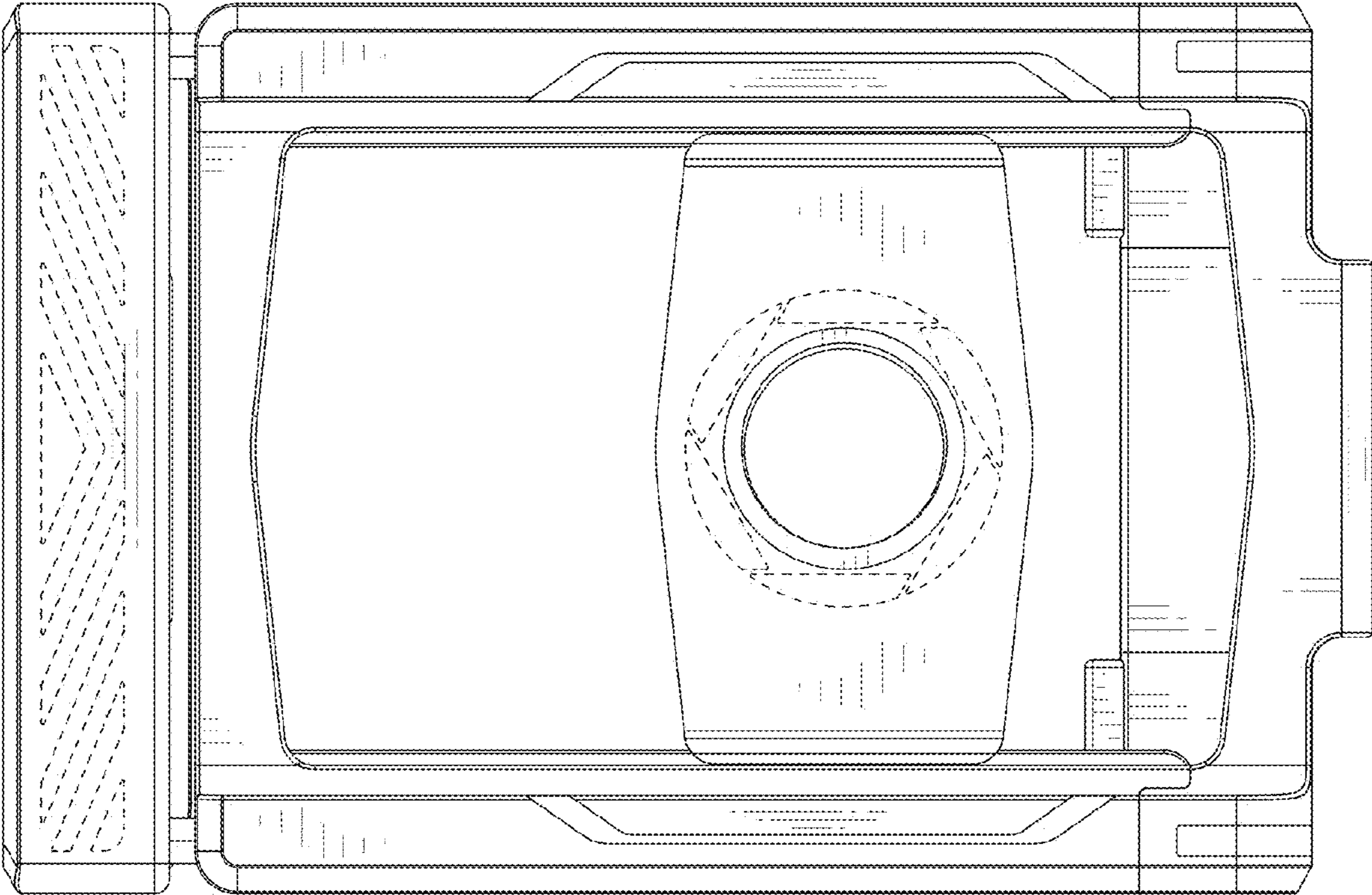


FIG.7



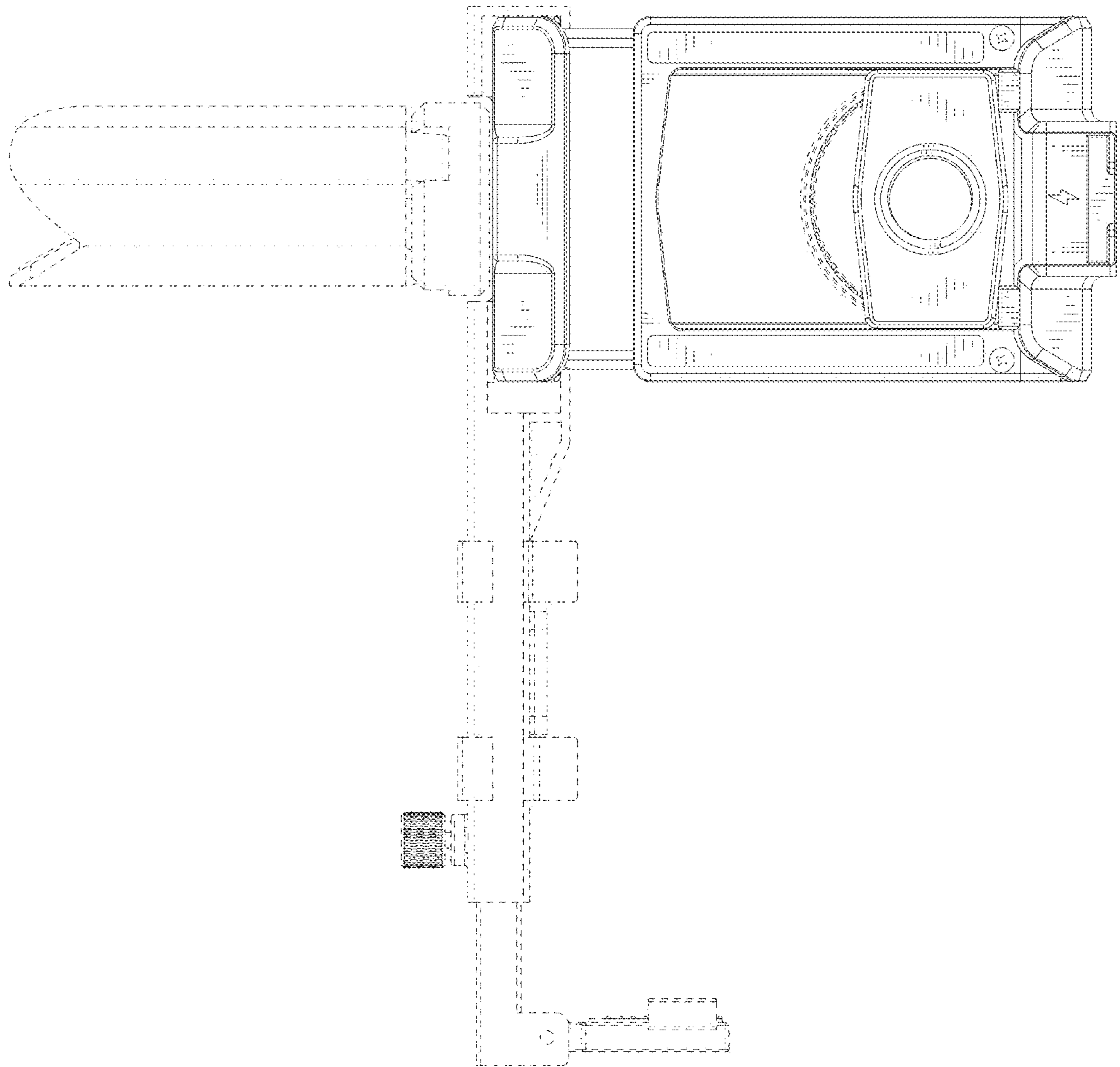


FIG.8