



US00D959415S

(12) **United States Design Patent**  
**Lee et al.**

(10) **Patent No.:** **US D959,415 S**  
(45) **Date of Patent:** **\*\* Aug. 2, 2022**

(54) **ROUTER**

D903,641 S \* 12/2020 Moon ..... D14/240  
D903,642 S \* 12/2020 Moon ..... D14/242  
D929,976 S \* 9/2021 Kwak ..... D14/240

(71) Applicant: **Samsung Electronics Co., Ltd.**,  
Suwon-si (KR)

**FOREIGN PATENT DOCUMENTS**

(72) Inventors: **Eunuae Lee**, Suwon-si (KR); **Jihyun Moon**, Suwon-si (KR); **Soyoon Jeon**, Suwon-si (KR)

EM 003165331-0004 9/2016  
JP D1614221 \* 9/2018  
KR 300963911.0000 \* 7/2018

(Continued)

(73) Assignee: **SAMSUNG ELECTRONICS CO., LTD.**, Suwon-si (KR)

*Primary Examiner* — Bridget L Eland  
(74) *Attorney, Agent, or Firm* — McAndrews Held & Malloy, Ltd.

(\*\*) Term: **15 Years**

(57) **CLAIM**

(21) Appl. No.: **29/762,824**

The ornamental design for an router, as shown and described.

(22) Filed: **Dec. 18, 2020**

**DESCRIPTION**

(30) **Foreign Application Priority Data**

Oct. 6, 2020 (KR) ..... 30-2020-0047796

(51) **LOC (13) Cl.** ..... **14-03**

(52) **U.S. Cl.**  
USPC ..... **D14/240**

(58) **Field of Classification Search**  
USPC .... D14/240, 242, 357, 358, 140-140.9, 155,  
D14/125, 137, 139, 243, 348, 349, 351,  
D14/354, 355

CPC ..... H04L 12/00; H03K 17/00; H04W 88/00;  
H04W 88/005; H04W 88/02; H04W  
88/08; H04W 88/085; H04W 88/10;  
H04W 88/12; H04W 88/14; H04B 1/38

See application file for complete search history.

FIG. 1 is a front perspective view of an router showing our new design;  
FIG. 2 is a front elevation view thereof;  
FIG. 3 is a rear elevation view thereof;  
FIG. 4 is a left side elevation view thereof;  
FIG. 5 is a right side elevation view thereof;  
FIG. 6 is a top plan view thereof;  
FIG. 7 is a bottom plan view thereof;  
FIG. 8 is an enlarged view of the portion 8 encircled in FIG. 1;  
FIG. 9 is an enlarged view of the portion 9 encircled in FIG. 1;  
FIG. 10 is an enlarged view of the portion 10 encircled in FIG. 1; and,  
FIG. 11 is an enlarged view of the portion 11 encircled in FIG. 6.

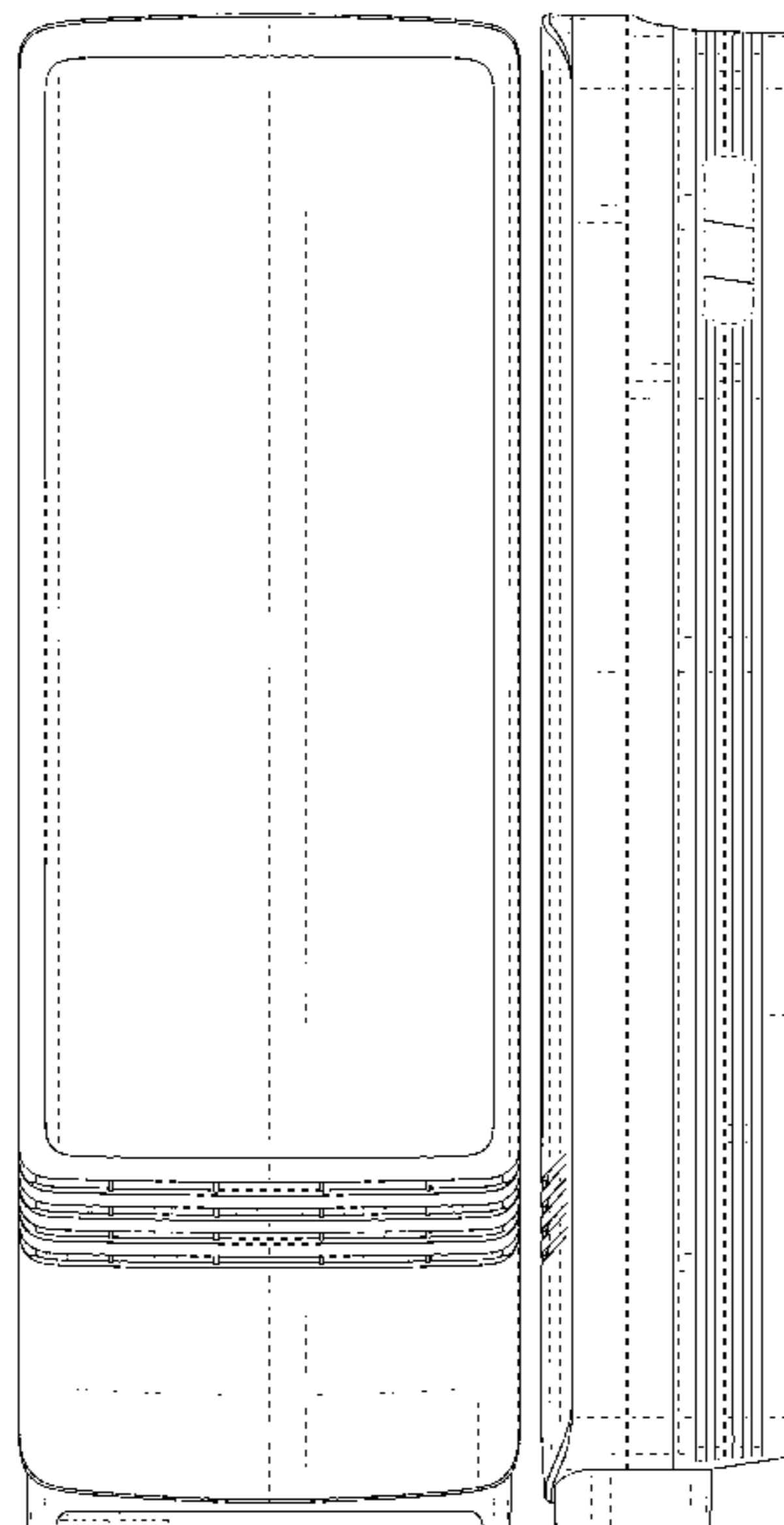
(56) **References Cited**

**U.S. PATENT DOCUMENTS**

D693,798 S 11/2013 Chuang et al.  
D886,086 S \* 6/2020 Jang ..... D14/240  
D891,408 S \* 7/2020 Kwak ..... D14/240  
D891,409 S \* 7/2020 Jeon ..... D14/240

The dashed broken lines in the figures illustrate portions of the router that form no part of the claimed design.  
The dot-dot-dash broken lines in the drawings encircling portions of the claimed design that are illustrated in enlargements form no part of the claimed design.

**1 Claim, 11 Drawing Sheets**



(56)

**References Cited**

FOREIGN PATENT DOCUMENTS

KR	300976207.0000	*	10/2018
KR	30-1015902		7/2019
KR	30-1015904		7/2019
KR	301015901.0000	*	7/2019
KR	301015902.0000	*	7/2019
KR	301015903.0000	*	7/2019
KR	301015904.0000	*	7/2019
KR	301015905.0000	*	7/2019
WO	D100291-001	*	9/2018
WO	D100291-003	*	9/2018
WO	DM/100291		9/2018
WO	D201989-001	*	10/2019

\* cited by examiner

FIG. 1

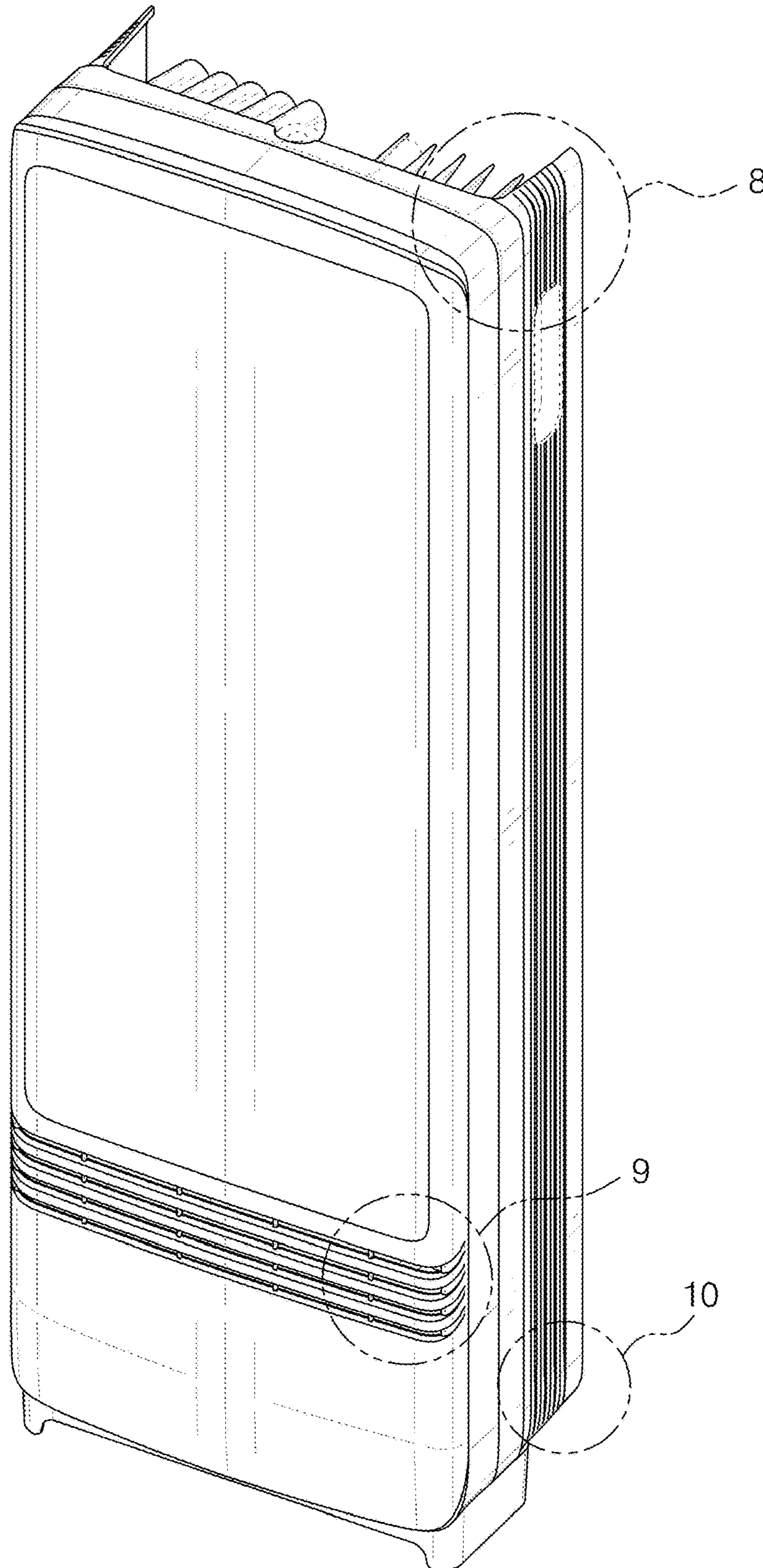


FIG. 2

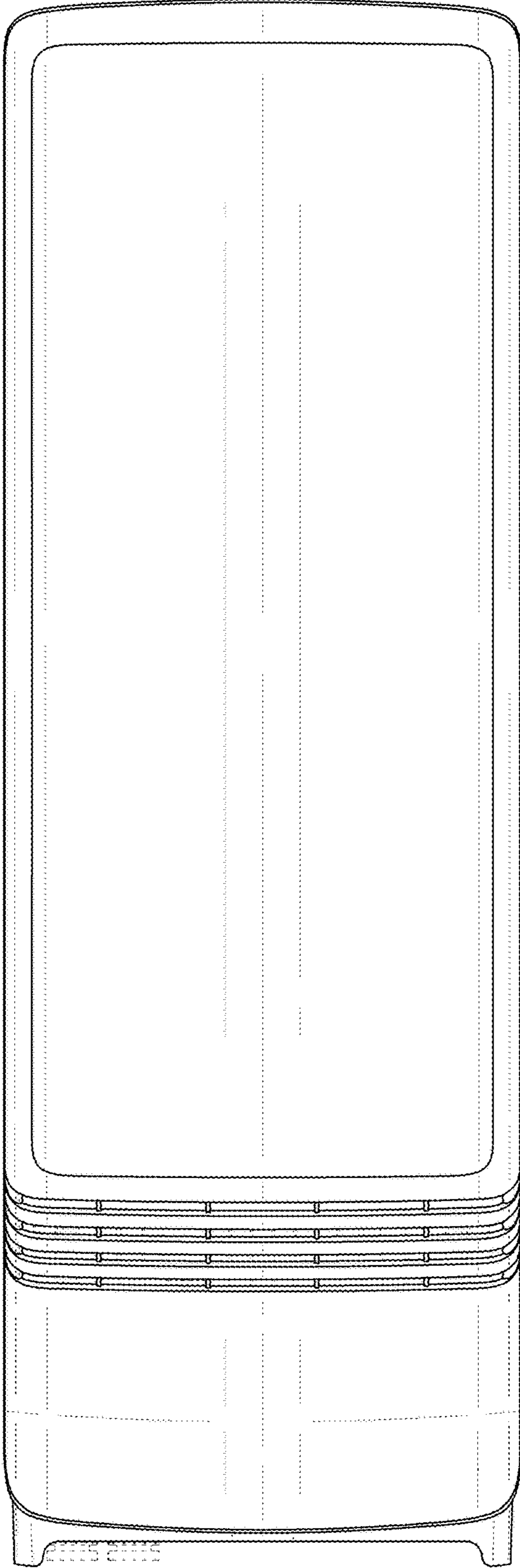




FIG. 3

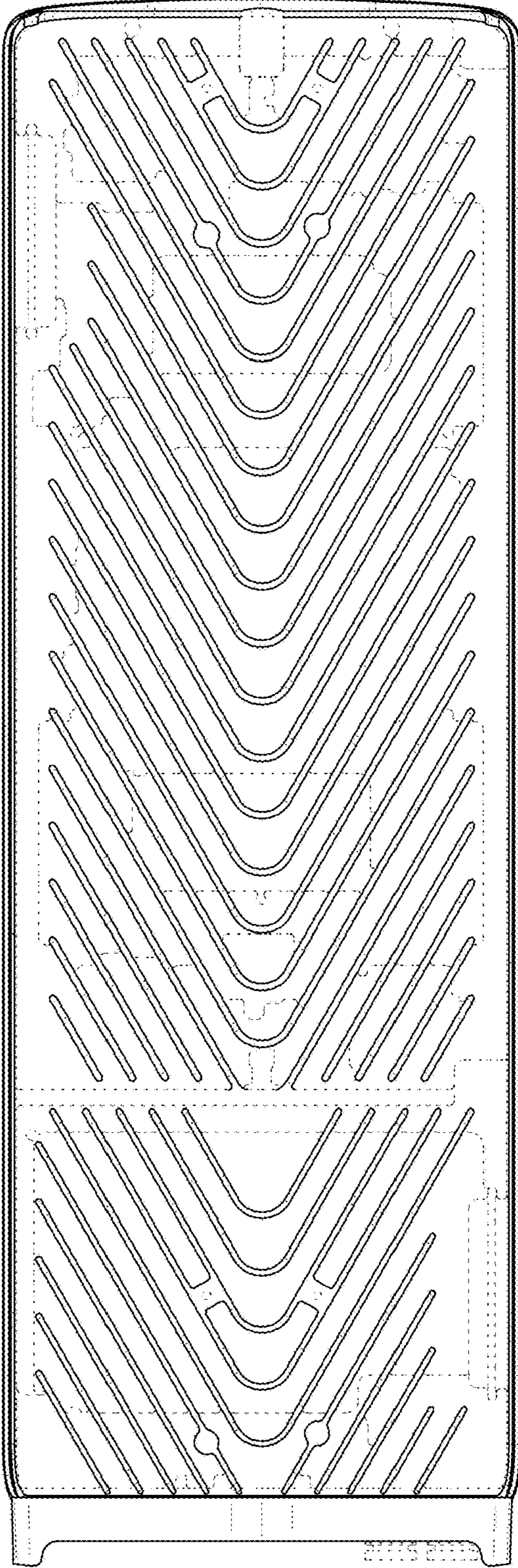


FIG. 4

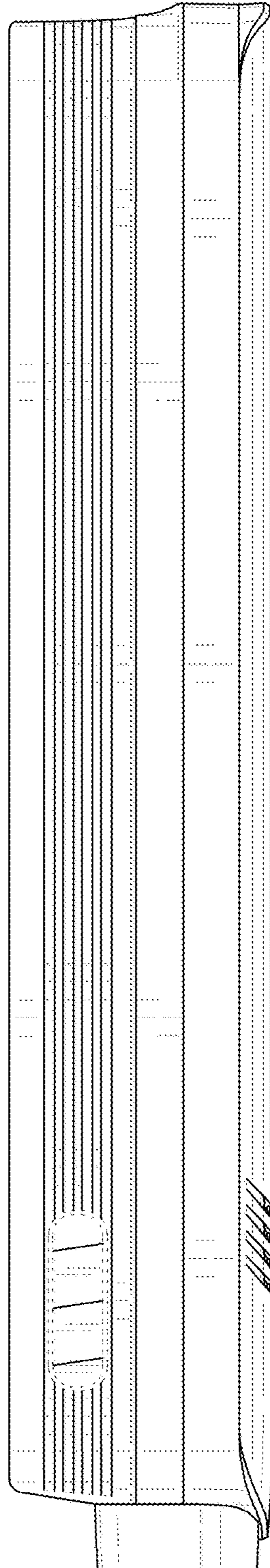


FIG. 5

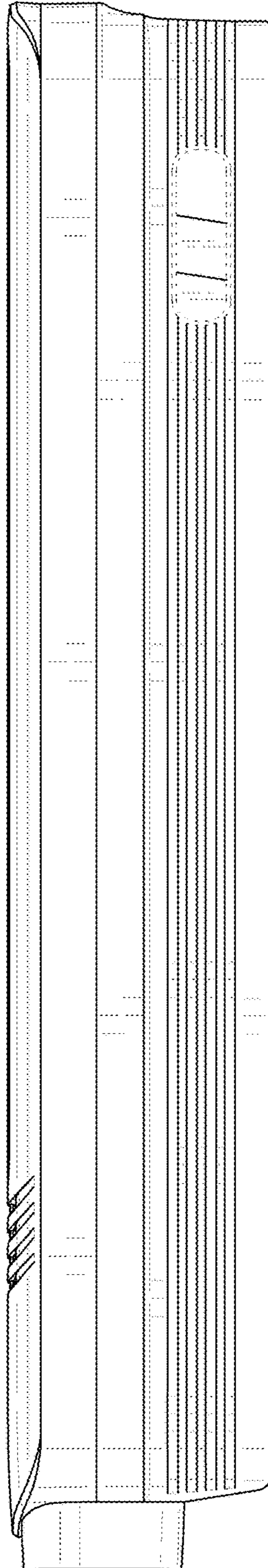


FIG. 6

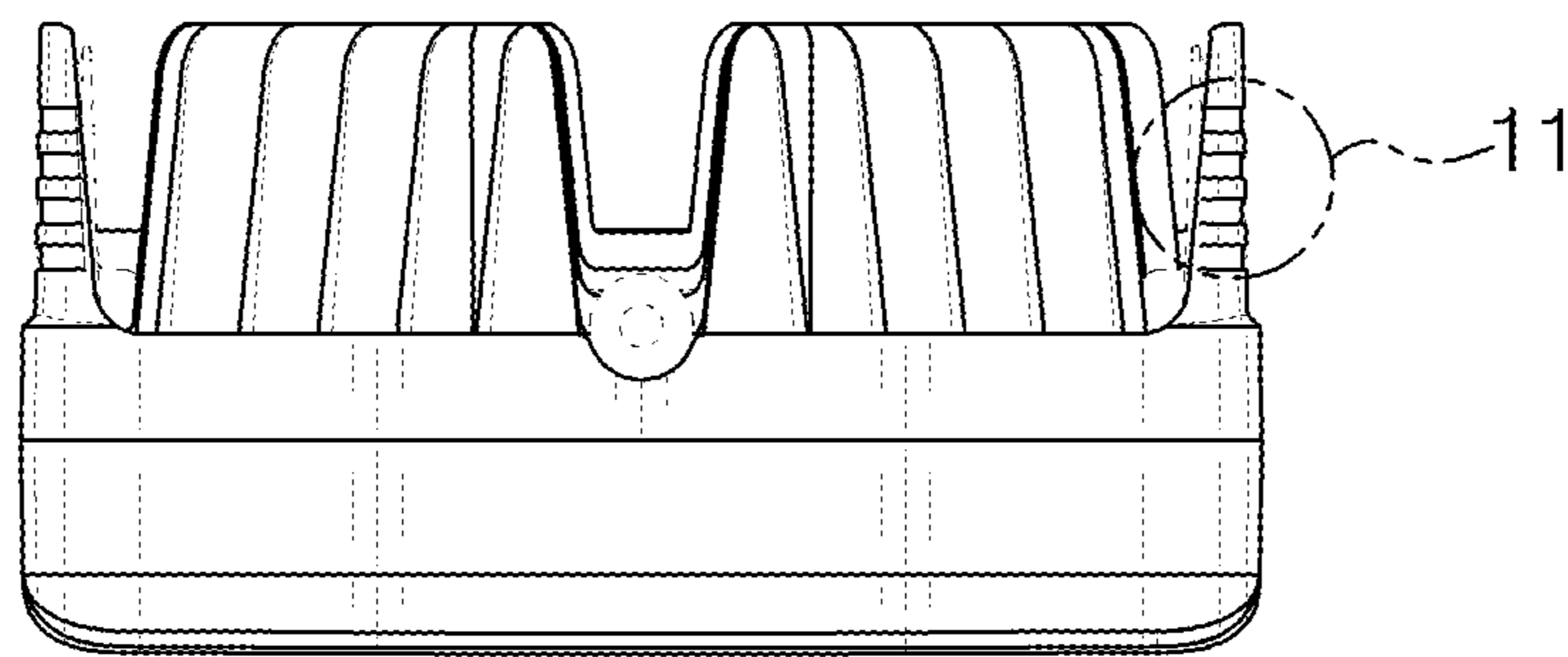




FIG. 7

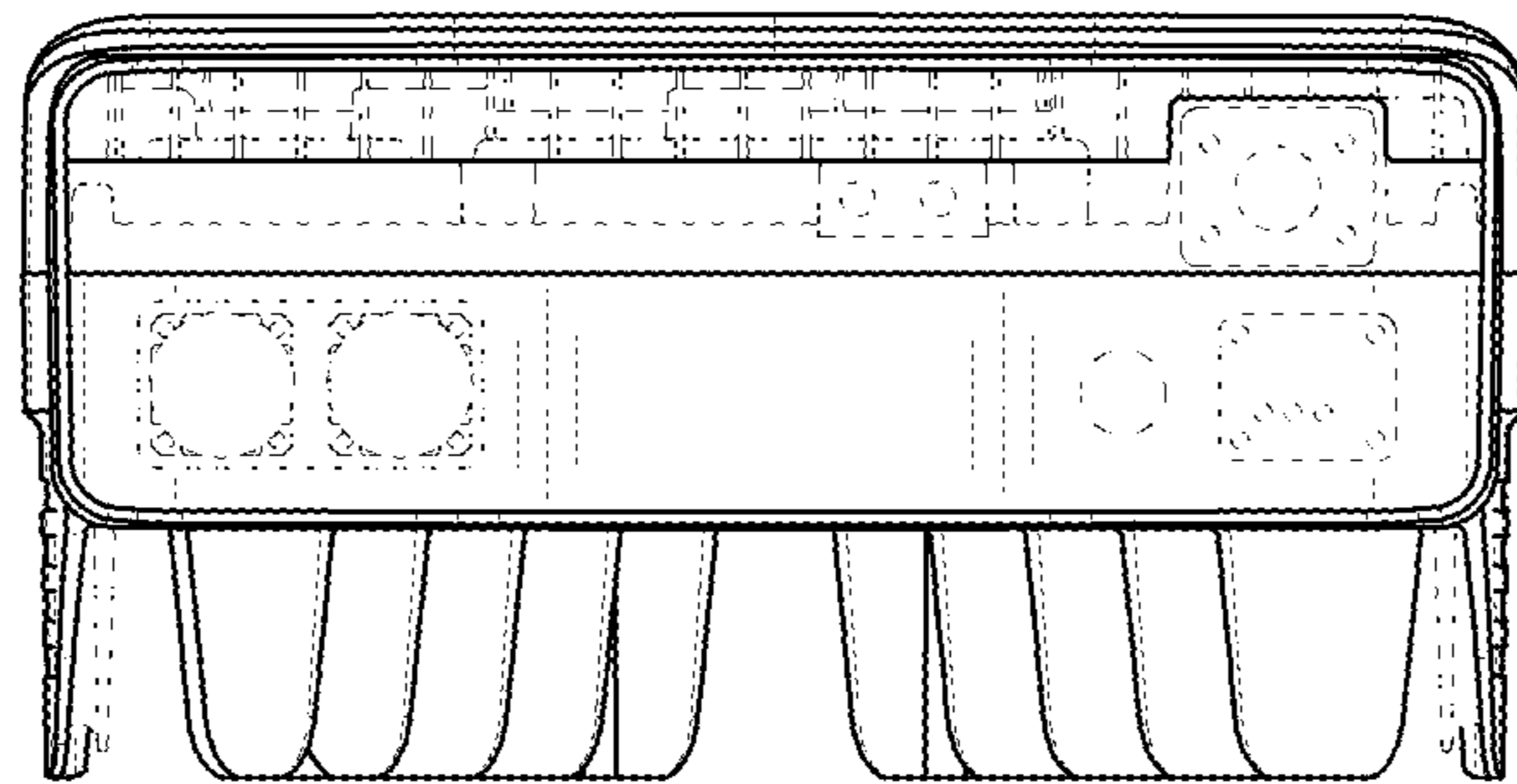


FIG. 8

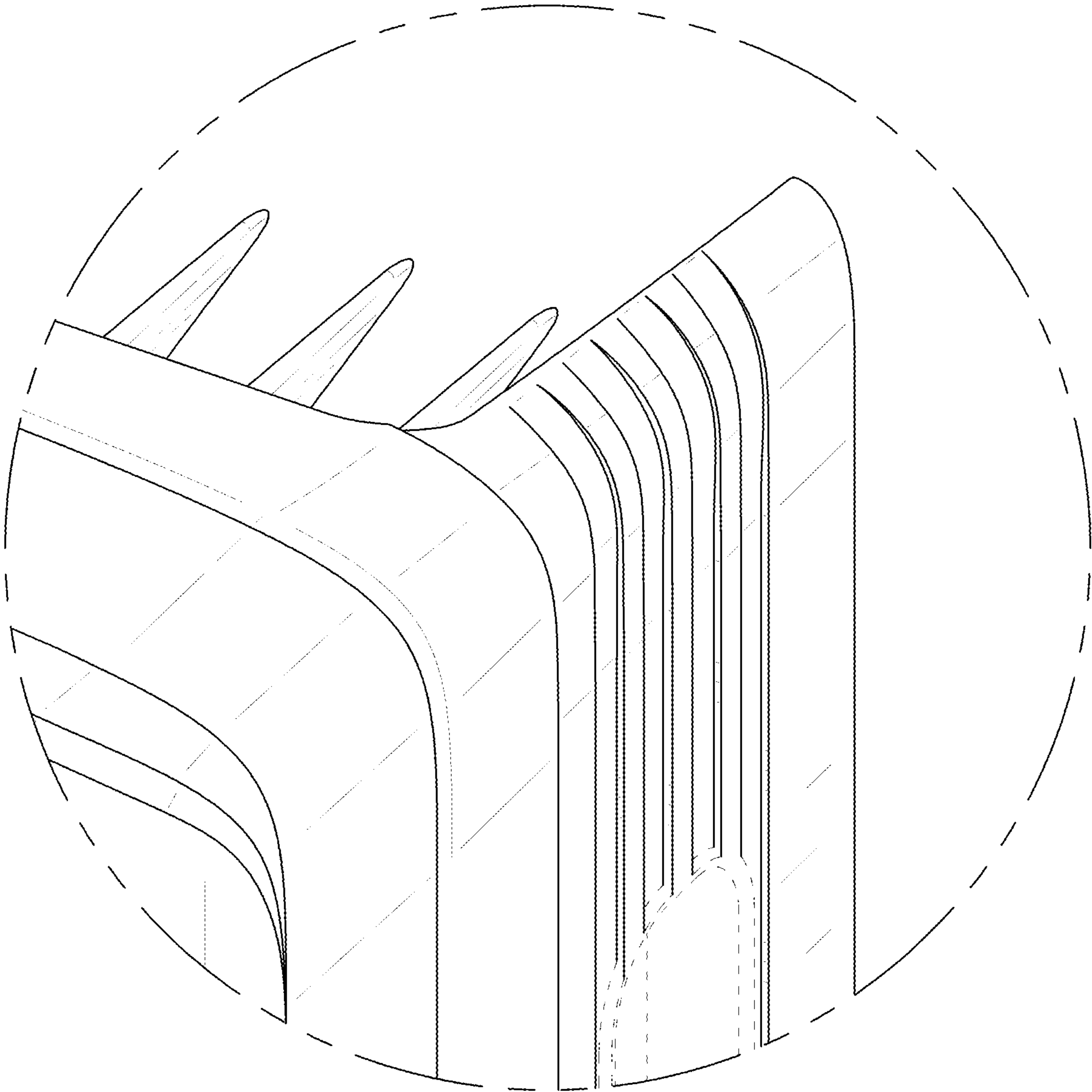


FIG. 9

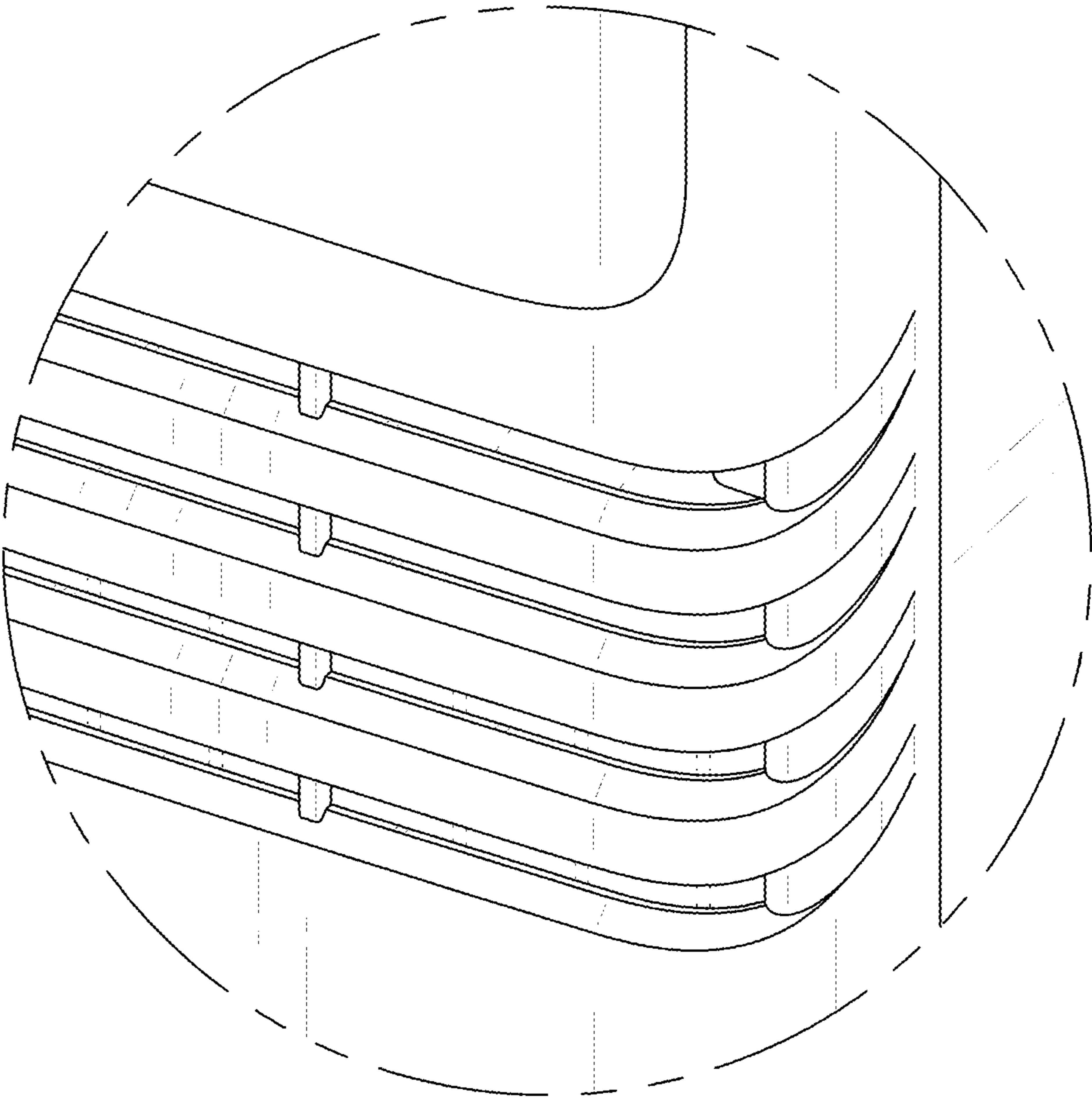


FIG. 10

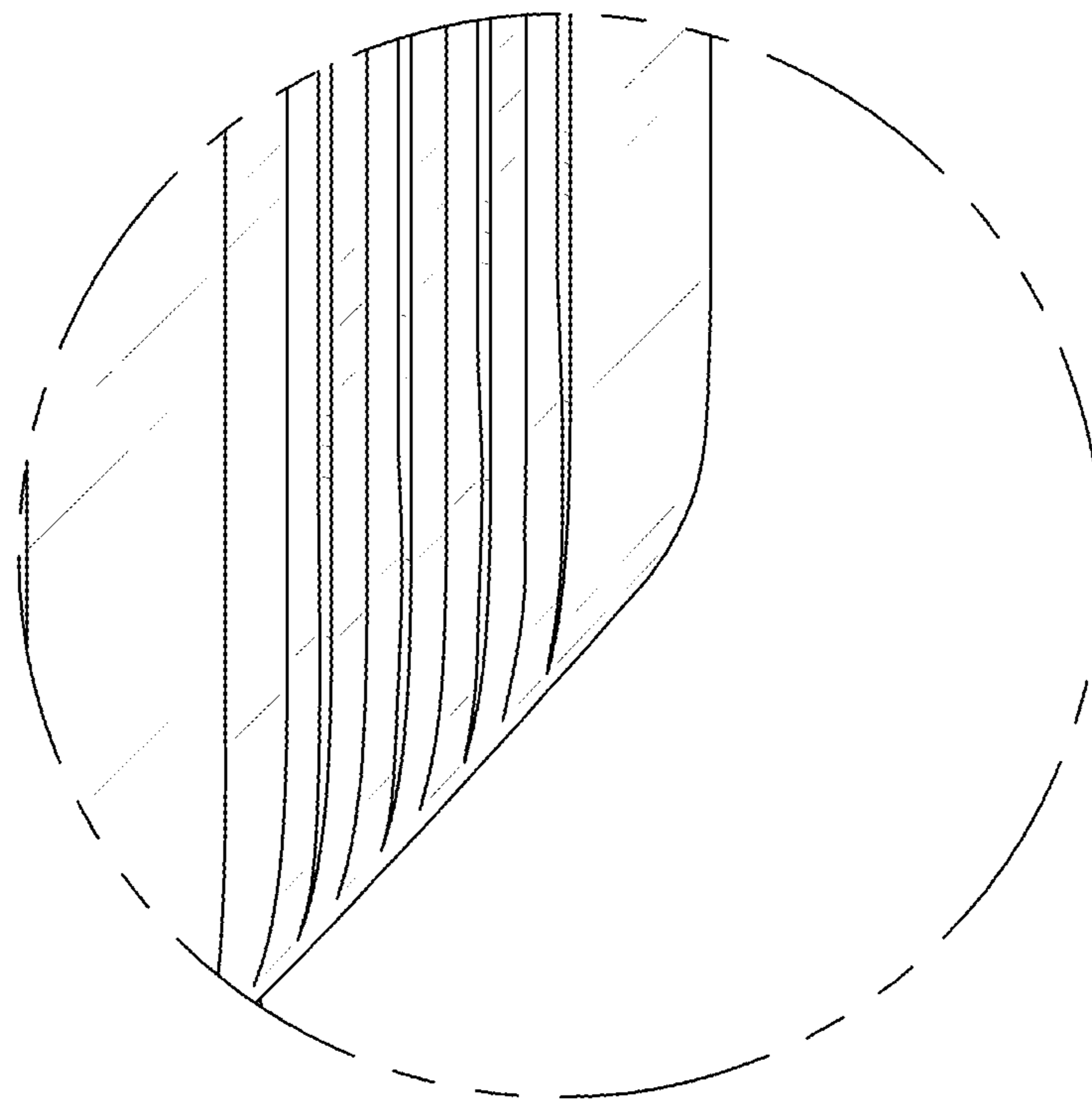




FIG. 11

