



US00D959414S

(12) **United States Design Patent** (10) **Patent No.:** **US D959,414 S**
Deng et al. (45) **Date of Patent:** **** Aug. 2, 2022**

(54) **MICROPHONE**

FOREIGN PATENT DOCUMENTS

(71) Applicant: **Shenzhen Jiayz Photo Industrial, Ltd, Shenzhen (CN)**

CN 201930013573.1 * 8/2019
CN 202130117763.5 * 1/2021
CN 202130571377.3 * 1/2022

(72) Inventors: **Gang Deng, Shenzhen (CN); Jinshu Hu, Shenzhen (CN)**

OTHER PUBLICATIONS

(**) Term: **15 Years**

[Saramonic Blink500 Pro Dual-Channel Wireless Lavalier Microphone], available in Amazon.com, date first available Mar. 11, 2021 [online], [site visited Mar. 10, 2022], Available from the internet URL: <https://www.amazon.com/Saramonic-Dual-Channel-Microphone-Recording-Interview/dp/B08XX1QNB6?th=1> (Year: 2021).*

(21) Appl. No.: **29/741,817**

[My FAVORITE Wireless Microphone Got Even BETTER! | Saramonic Blink 500 Pro B4], announced in YouTube on May 7, 2021 [online], [site visited Mar. 10, 2022], Available from the internet URL: <https://www.youtube.com/watch?v=vJUHXLbS1SE> (Year: 2021).*

(22) Filed: **Jul. 16, 2020**

(51) **LOC (13) Cl.** **14-01**

(52) **U.S. Cl.**
USPC **D14/225**

(58) **Field of Classification Search**
USPC D3/218; D13/107, 108, 153, 168;
D14/155, 188, 192, 203.3, 217, 224.1,
D14/225, 242, 433, 434; D16/208;
D21/333
CPC H01R 25/00
See application file for complete search history.

* cited by examiner

Primary Examiner — Khawaja Anwar
Assistant Examiner — Megan Tiana Rakos

(57) **CLAIM**

The ornamental design for a microphone, as shown and described.

(56) **References Cited**

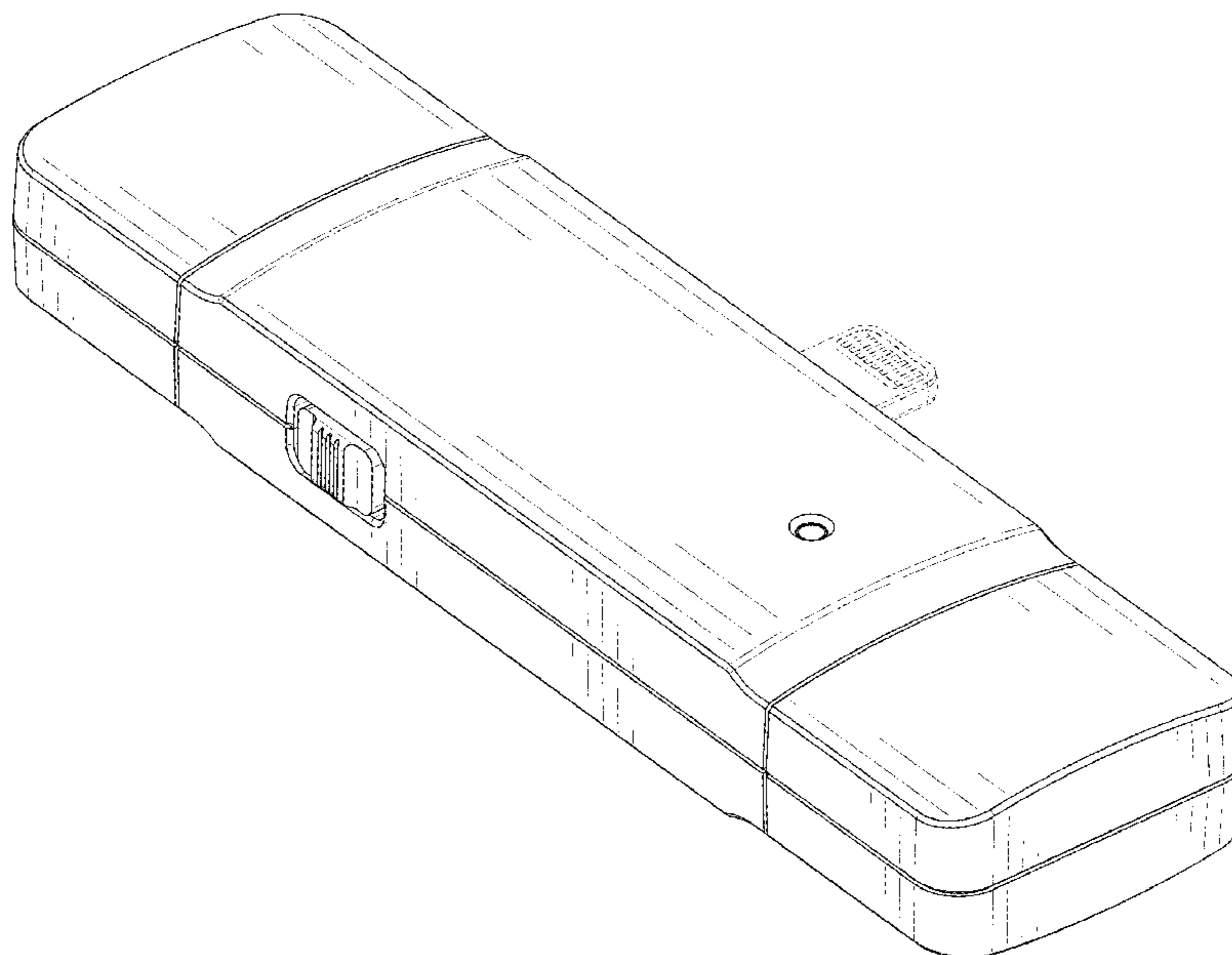
DESCRIPTION

U.S. PATENT DOCUMENTS

D175,664 S	*	9/1955	Aucoin	D14/225
D299,336 S	*	1/1989	Osanai	D14/154
D473,207 S	*	4/2003	Tanio	D16/208
D500,301 S	*	12/2004	Deguchi	D14/480.4
D507,261 S	*	7/2005	Griffin	D14/226
D545,809 S	*	7/2007	Griffin	D14/155
D596,061 S	*	7/2009	Kurumagawa	D10/106.1
D610,134 S	*	2/2010	Gotzen	D14/188
D700,083 S	*	2/2014	Brigham	D10/70
D770,455 S	*	11/2016	Lee	D14/433
D868,742 S	*	12/2019	Cao	D14/224.1
D882,578 S	*	4/2020	Zhang	D14/433
D918,067 S	*	5/2021	Li	D16/208
D925,502 S	*	7/2021	Jia	D14/225

FIG. 1 is a front elevational view of a microphone; showing our new design;
FIG. 2 is a rear elevational view thereof;
FIG. 3 is a left side elevational view thereof;
FIG. 4 is a right side elevational view thereof;
FIG. 5 is a top plan view thereof;
FIG. 6 is a bottom plan view thereof;
FIG. 7 is a front and top perspective view thereof; and,
FIG. 8 is a rear and bottom perspective view thereof.
The broken lines in the figures illustrate portions of the article that form no part of the claimed design.

1 Claim, 8 Drawing Sheets



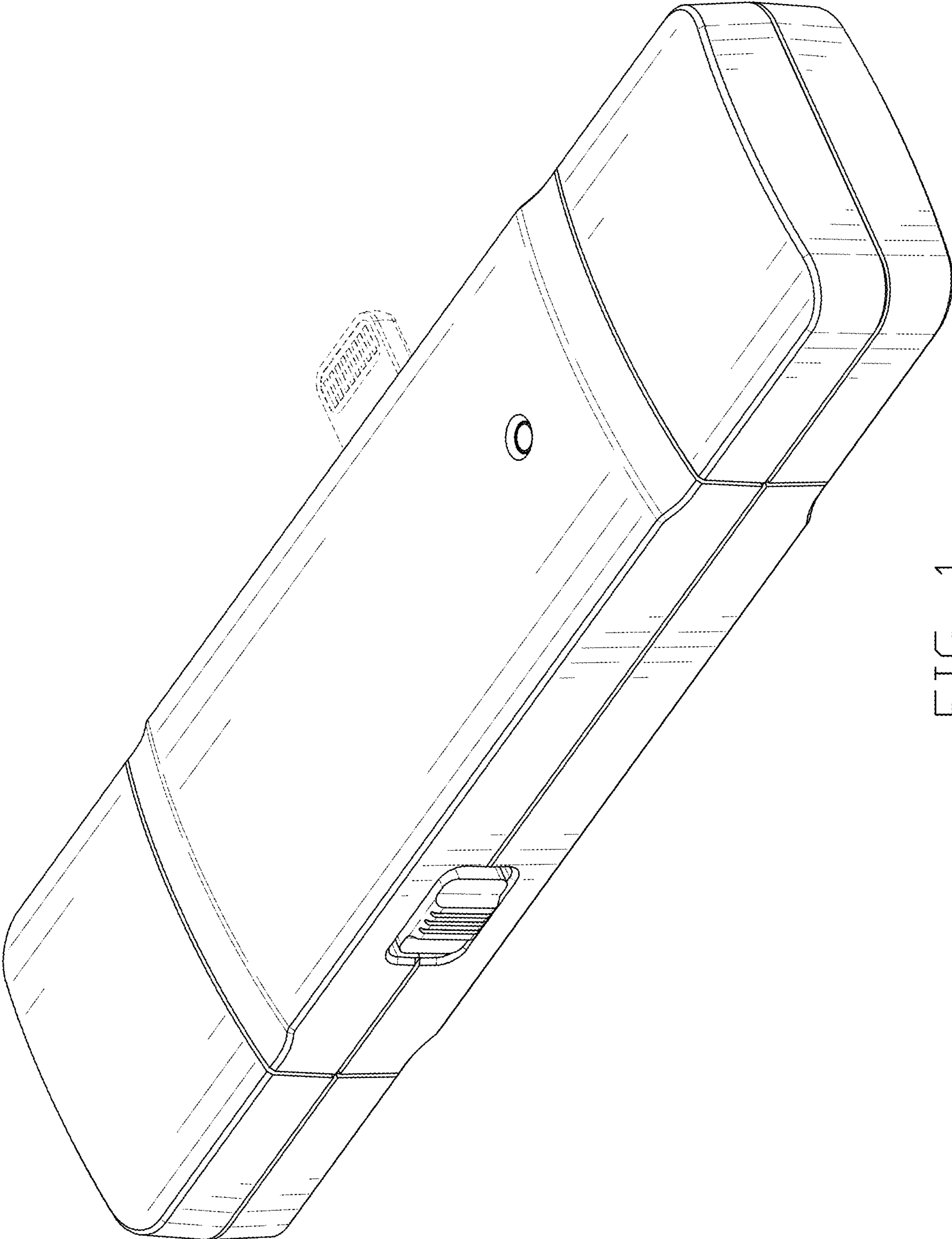


FIG. 1

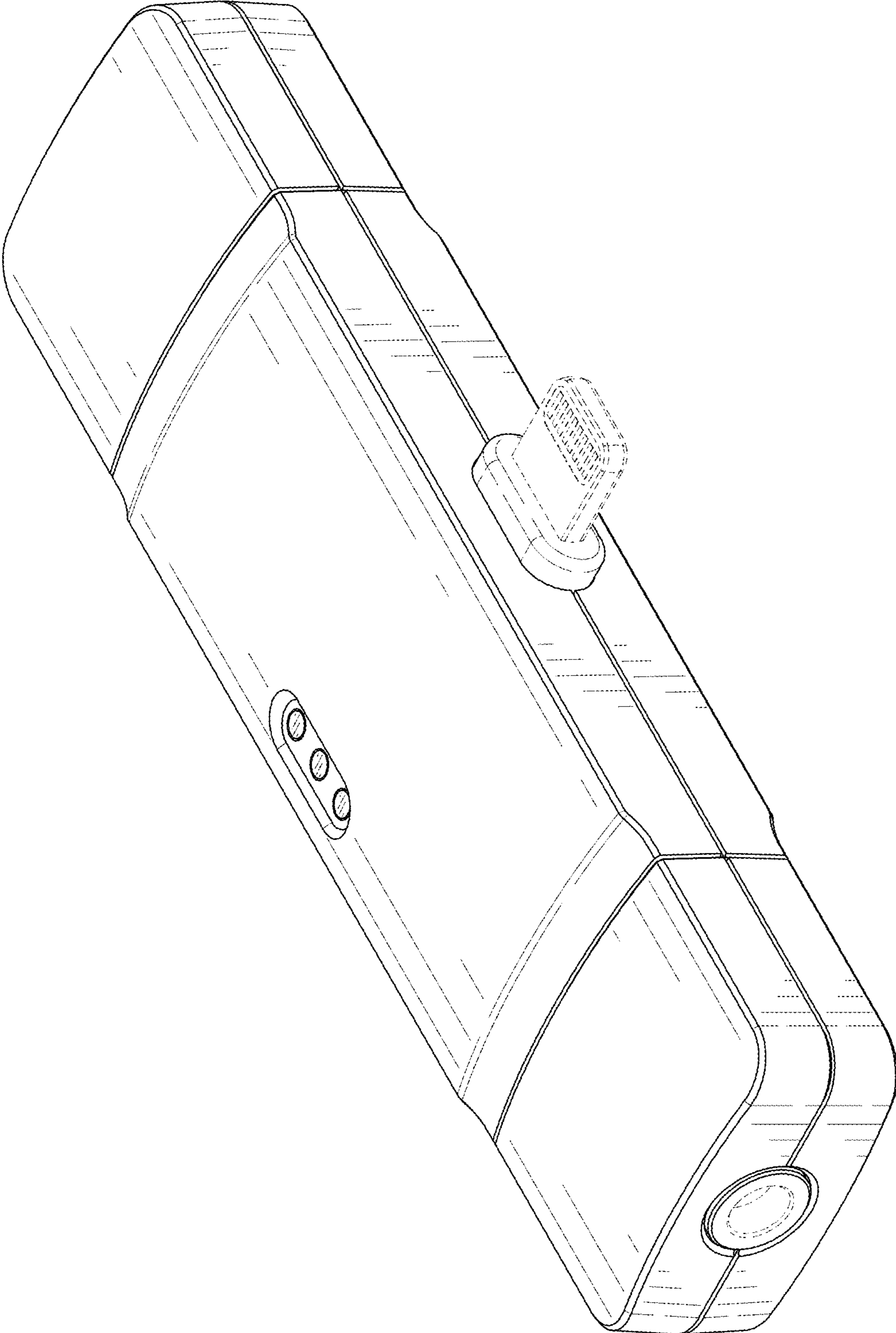


FIG. 2

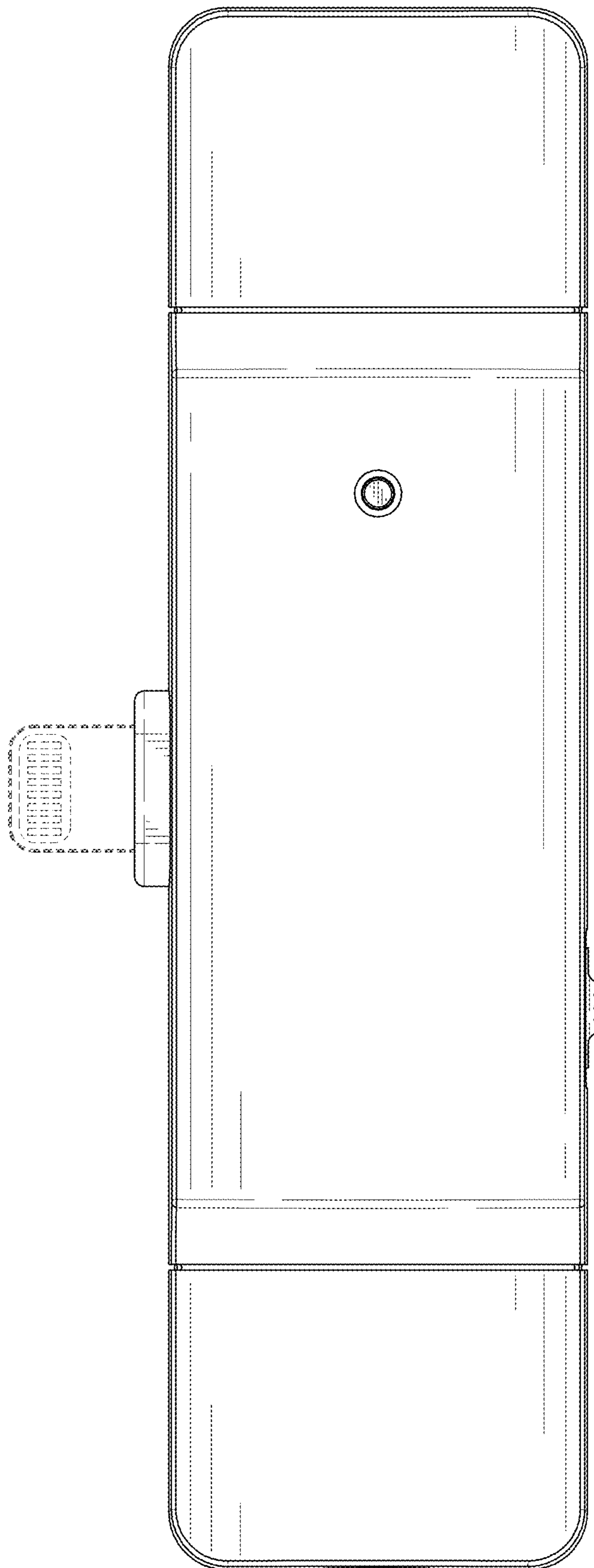


FIG. 3

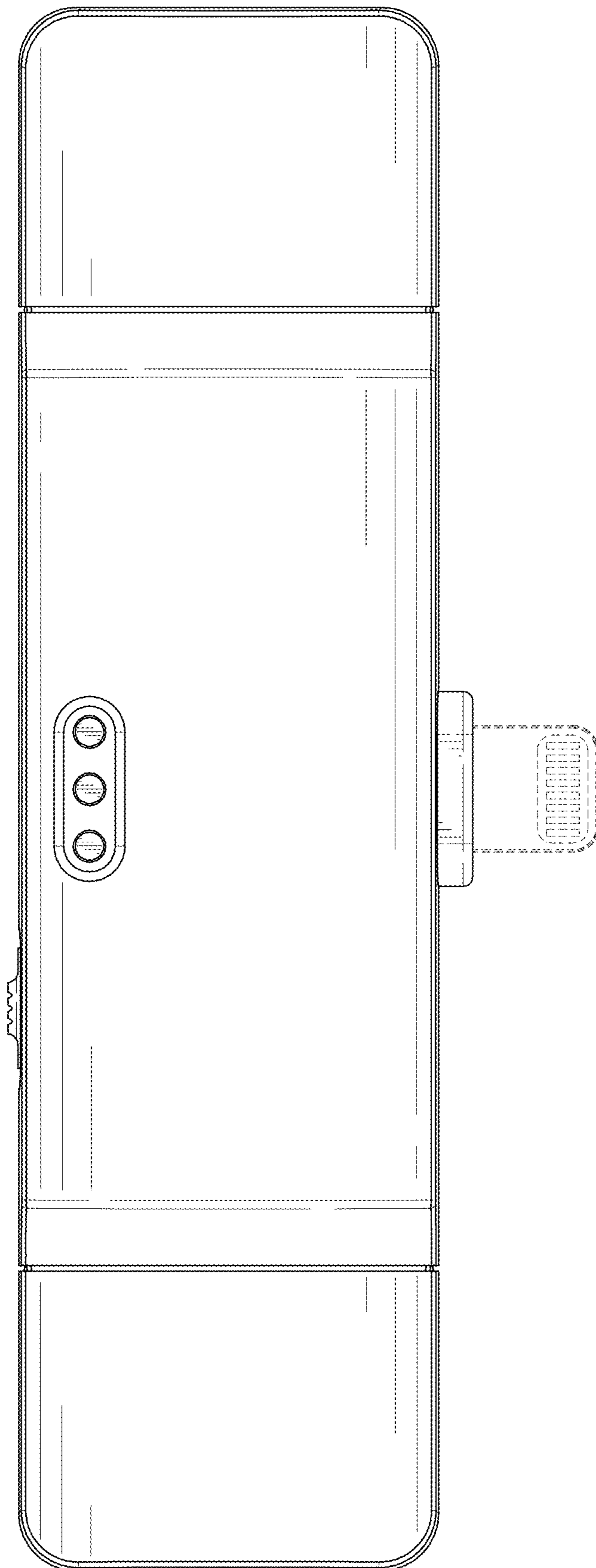


FIG. 4

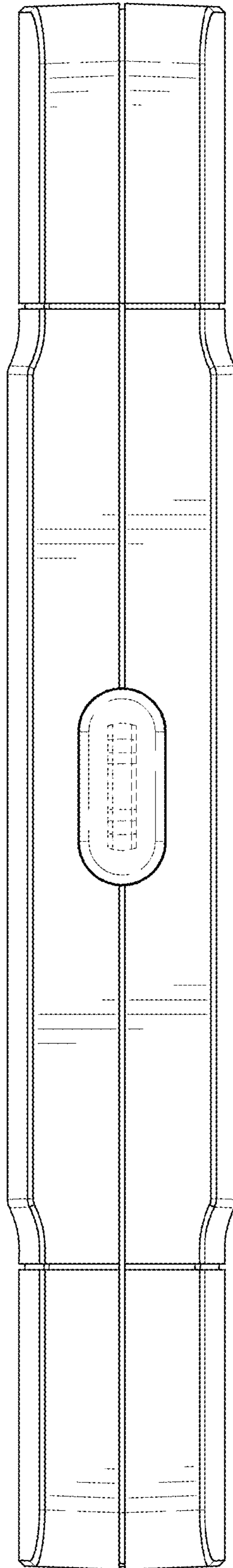


FIG. 5

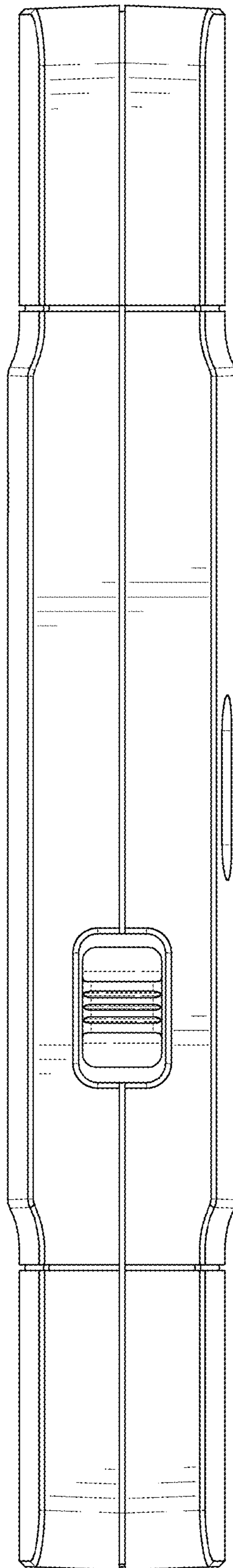


FIG. 6

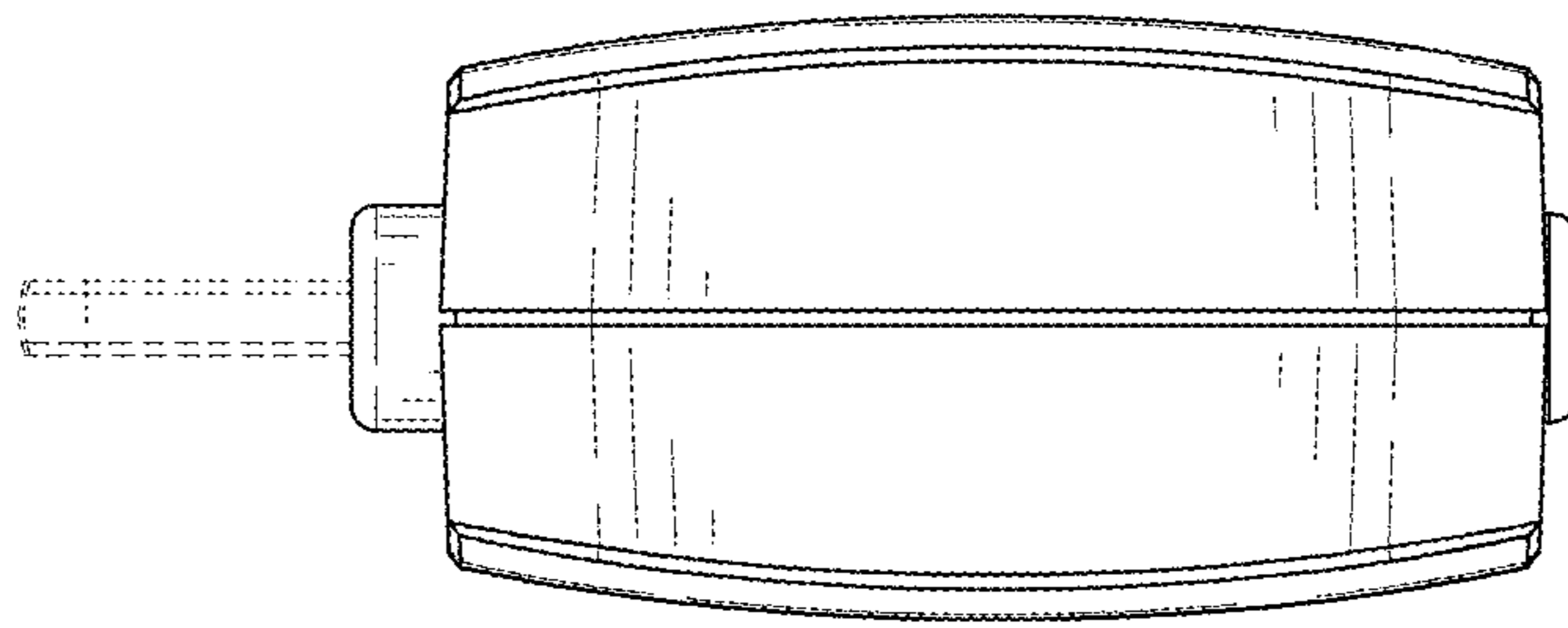


FIG. 7

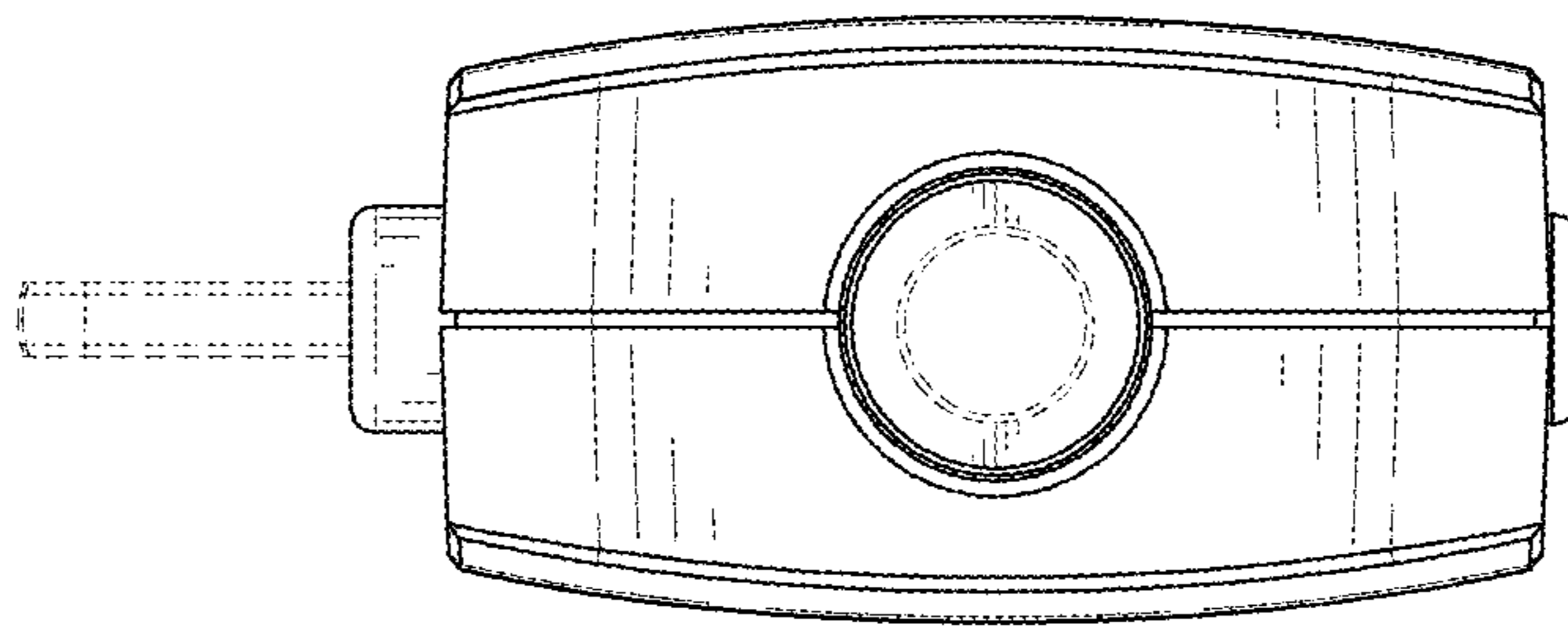


FIG. 8