



US00D959413S

(12) **United States Design Patent**
Deng et al.

(10) **Patent No.:** **US D959,413 S**
(45) **Date of Patent:** **** Aug. 2, 2022**

- (54) **WIRELESS MICROPHONE**
- (71) Applicant: **Shenzhen Jiayz Photo Industrial.,Ltd**,
Shenzhen (CN)
- (72) Inventors: **Gang Deng**, Shenzhen (CN); **Jinshu Hu**, Shenzhen (CN)
- (**) Term: **15 Years**
- (21) Appl. No.: **29/739,691**
- (22) Filed: **Jun. 29, 2020**

- D589,490 S * 3/2009 Thusbass D14/155
 - D595,684 S * 7/2009 Ganley D14/155
 - D926,717 S * 8/2021 Hong D14/137
 - D938,928 S * 12/2021 Thompson D14/137
 - D940,092 S * 1/2022 Onoue D14/137
- (Continued)

FOREIGN PATENT DOCUMENTS

- CN 306098189 * 10/2020
 - CN 306956152 * 11/2021
 - CN 306972447 * 11/2021
- (Continued)

OTHER PUBLICATIONS

Shenzhen Jiayz Photo Industrial Dual Wireless Lavalier Microphone System User Manual, announced Jan. 12, 2022 [online], retrieved Mar. 25, 2022, retrieved from internet, https://manuals.plus/shenzhen-jiayz-photo-industrial/sr-wm2100-2-4ghz-dual-wireless-lavalier-microphone-system-manual.*

(Continued)

Primary Examiner — Messina L Smith

(57) **CLAIM**

The ornamental design for a wireless microphone, as shown and described.

DESCRIPTION

FIG. 1 is a front elevational view of a wireless microphone; showing our new design;
 FIG. 2 is a rear elevational view thereof;
 FIG. 3 is a left side elevational view thereof;
 FIG. 4 is a right side elevational view thereof;
 FIG. 5 is a top plan view thereof;
 FIG. 6 is a bottom plan view thereof;
 FIG. 7 is a front and top perspective view thereof; and,
 FIG. 8 is a rear and bottom perspective view thereof.
 The broken lines in the figures illustrate portions of the wireless microphone that form no part of the claimed design.

1 Claim, 8 Drawing Sheets

(30) **Foreign Application Priority Data**

Dec. 30, 2019 (CN) 201930741408.8

(51) **LOC (13) Cl.** **14-01**

(52) **U.S. Cl.**
USPC **D14/225**

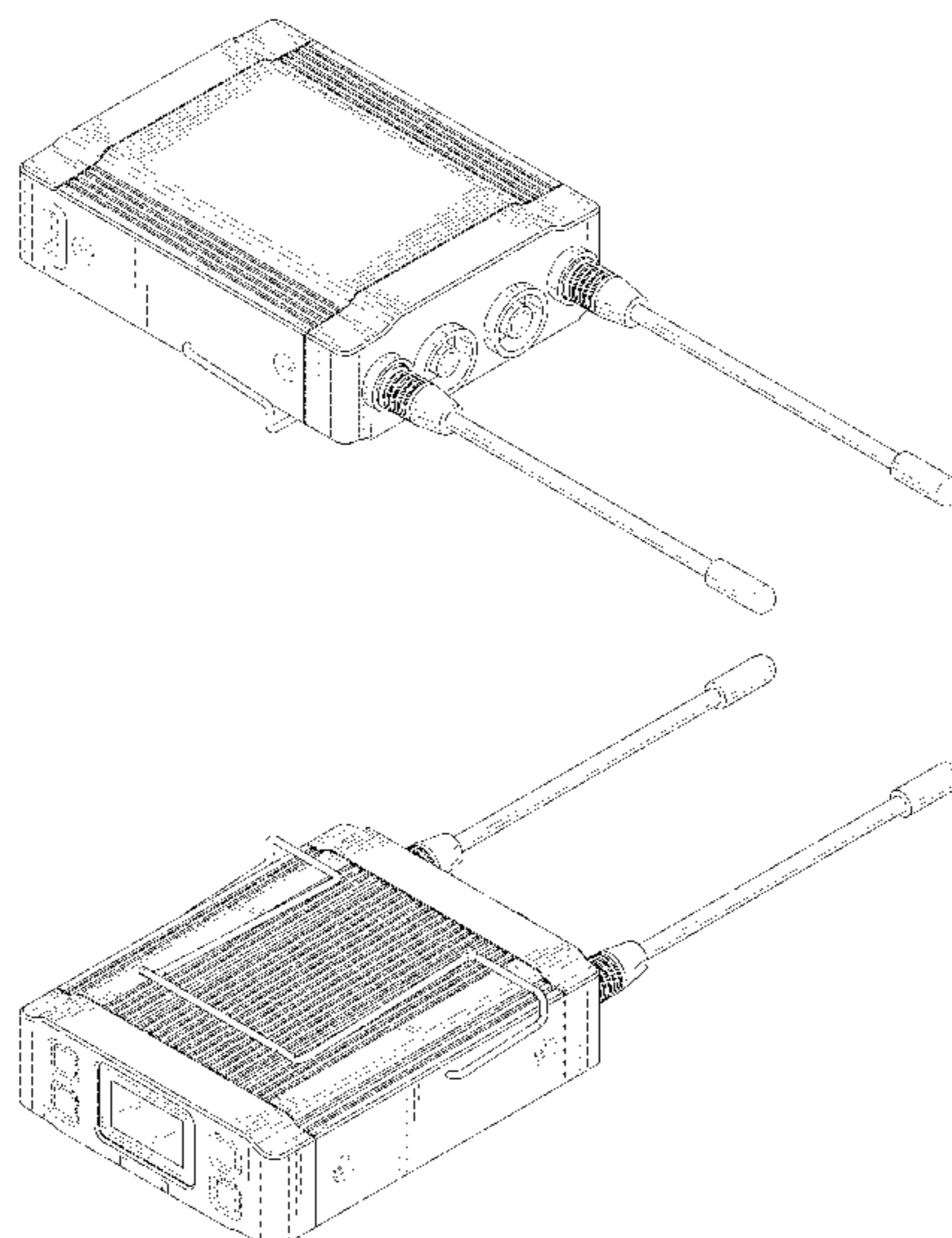
(58) **Field of Classification Search**
 USPC D14/221, 224, 225, 226, 227, 228, 229,
 D14/248, 265, 137, 150, 154, 155, 157,
 D14/158, 159, 172, 185
 CPC H04R 19/04; H04R 19/00; H04R 1/406;
 H04R 1/08; H04R 1/04; H04R 1/326;
 H04R 29/004; H04R 2410/00; H04R
 2410/01; H04R 2410/03; H04R 2410/05;
 H04R 2410/07; H04R 2420/07; H04R
 17/02

See application file for complete search history.

(56) **References Cited**

U.S. PATENT DOCUMENTS

- D242,282 S * 11/1976 Kawano D14/137
- D302,157 S * 7/1989 Vories D14/188
- D437,311 S * 2/2001 Nam D14/227
- D441,744 S * 5/2001 Miyazaki D14/137
- D496,346 S * 9/2004 Fuss D14/188
- D540,774 S * 4/2007 Alwicker D14/155
- D569,358 S * 5/2008 Devenish, III D14/137
- D587,708 S * 3/2009 Yoshida D14/358



(56)

References Cited

U.S. PATENT DOCUMENTS

2011/0081030 A1* 4/2011 Chiang H04B 1/0475
381/122

FOREIGN PATENT DOCUMENTS

CN	307112789	*	2/2022
EM	008652416-0001	*	8/2021
EM	008652416-0002	*	8/2021

OTHER PUBLICATIONS

Wireless Microphone, announced Dec. 6, 2018 [online], retrieved Mar. 25, 2022, retrieved from internet, <https://www.amazon.com/Microphone-PLUS-48-Channel-Professional-Smartphone/dp/B07L62WDH6>.*

Dual Wireless Lavalier Microphone System, announced Sep. 6, 2017 [online], retrieved Mar. 25, 2022, retrieved from internet, <https://www.amazon.com/dp/B075FM4ZYM>.*

Movo WMX-20 48-Channel UHF Wireless Lavalier Microphone System, announced Dec. 4, 2019 [online], retrieved Mar. 25, 2022, retrieved from internet, <https://www.amazon.com/Movo-WMX-20-48-Channel-Microphone-Transmitter/dp/B082BG2F7Q>.*

Sennheiser Wireless Microphone Combination System, announced © 2022 [online], retrieved Mar. 25, 2022, retrieved from internet, https://reverb.com/p/sennheiser-ew-100-eng-g4-camera-mount-combo-wireless-microphone-system-a-band-516-558-mhz?hfid=10646208&utm_source=google&utm_medium=cpc&utm_campaign=12293041867.*

Saramonic UwMic9S Mini UHF Wireless Microphone System User Manual, announced © 2000-2022 [online], retrieved Mar. 25, 2022, retrieved from internet, <https://manuals.plus/saramonic/uwmic9s-mini-uhf-wireless-microphone-system-manual>.*

Shure UR5 Body Pack Wireless Microphone System, announced Jan. 12, 2022 [online], retrieved Mar. 25, 2022, retrieved from internet, https://www.bhphotovideo.com/c/product/826860-REG/Shure_UR5_Body_Pack_Wireless.html.*

UWP-D bodypack and XLR plug-on wireless microphone package, announced © 2004-2022 [online], retrieved Mar. 25, 2022, retrieved from internet, https://pro.sony/en_CZ/products/broadcastaudiouwpseriesmicpackages/uwp-d16.*

Bosch Wireless Belt Pack Mic, announced © 1996-2022 [online], retrieved Mar. 25, 2022, retrieved from internet, <https://www.indiamart.com/proddetail/bosch-wireless-belt-pack-mic-13804772748.html>.*

Wireless Microphone System, announced © 2022 [online], retrieved Mar. 25, 2022, retrieved from internet, <https://www.u-buy.com.tw/en/product/1R3T38KS-wireless-microphone-system-pro-audio-uhf-4-channel-2-handheld-mic-2-headset-2-lapel-mic-2-bodypack-n>.*

* cited by examiner

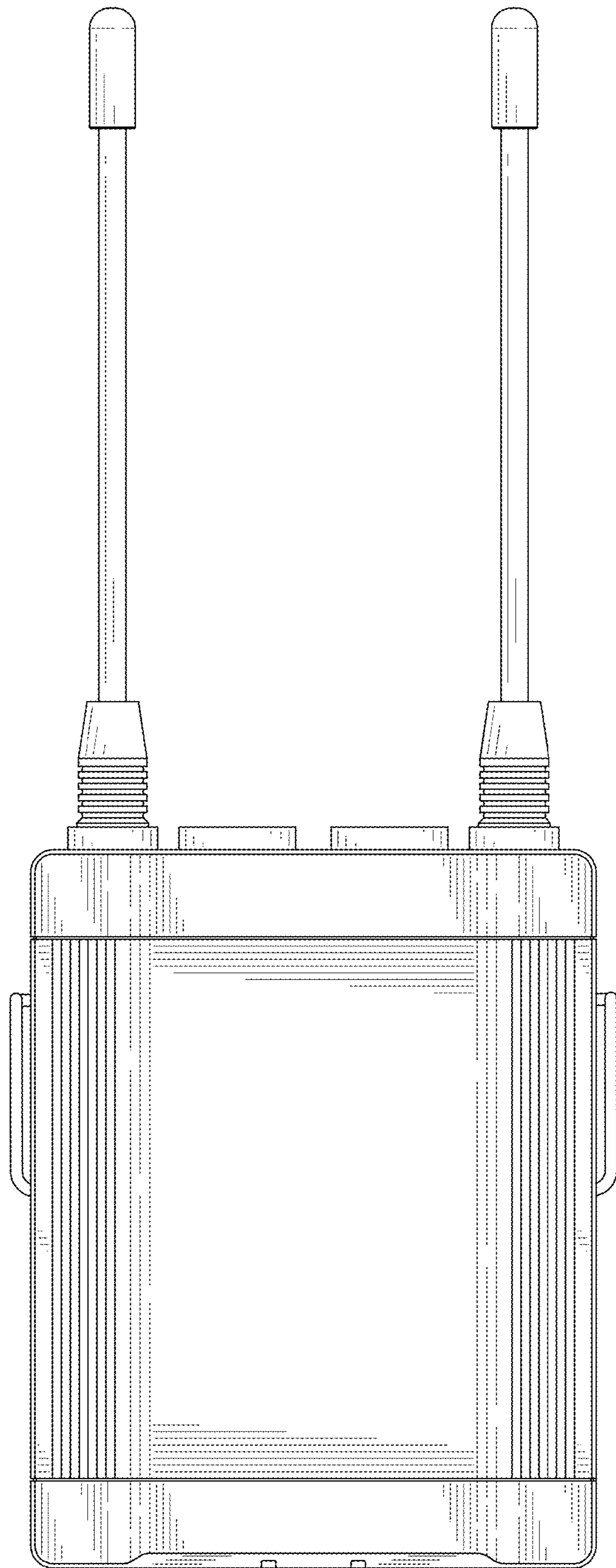


FIG. 1

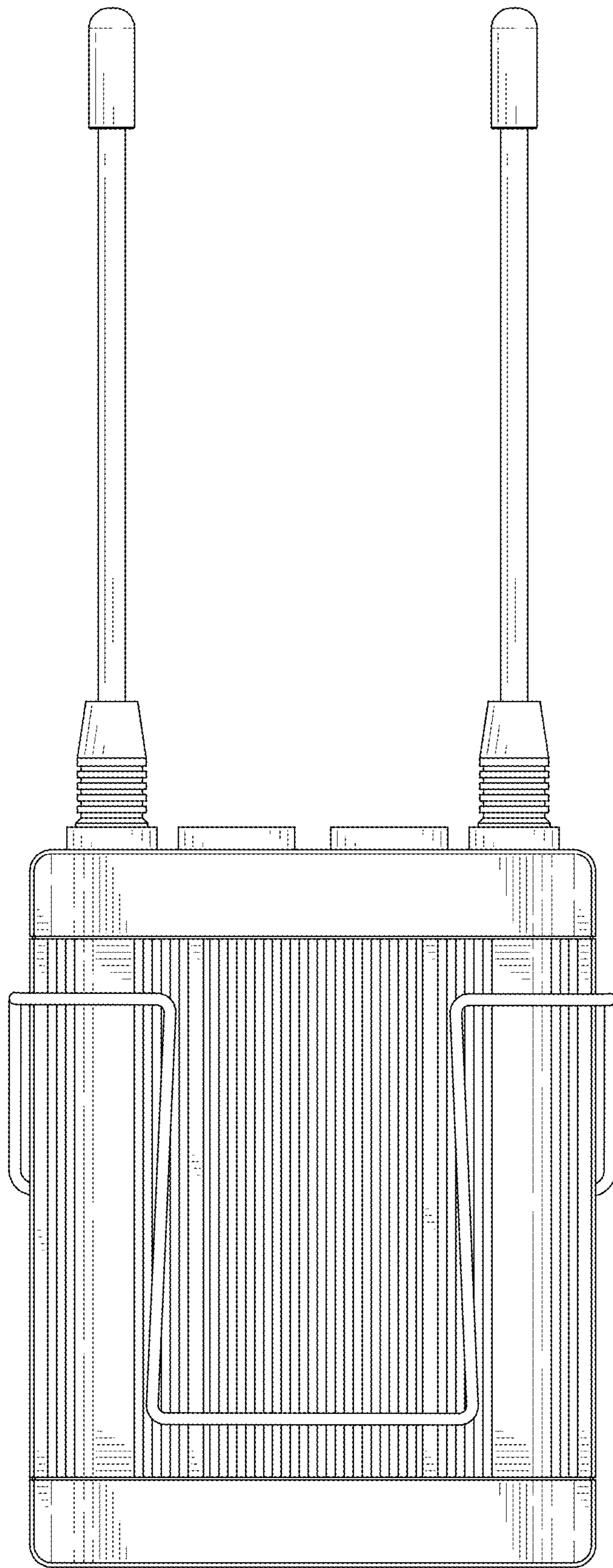


FIG. 2

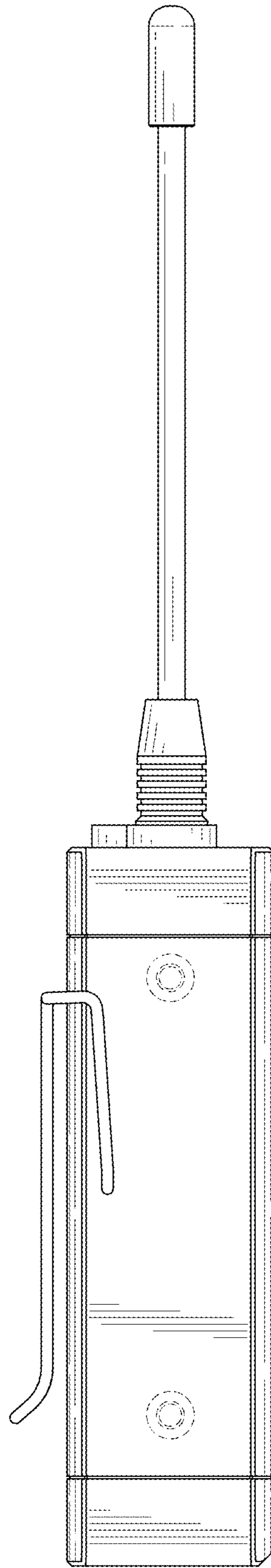


FIG. 3

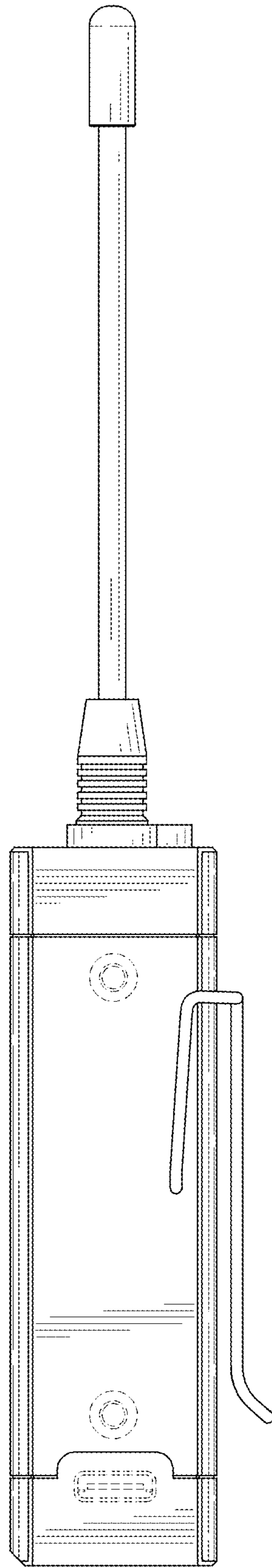


FIG. 4

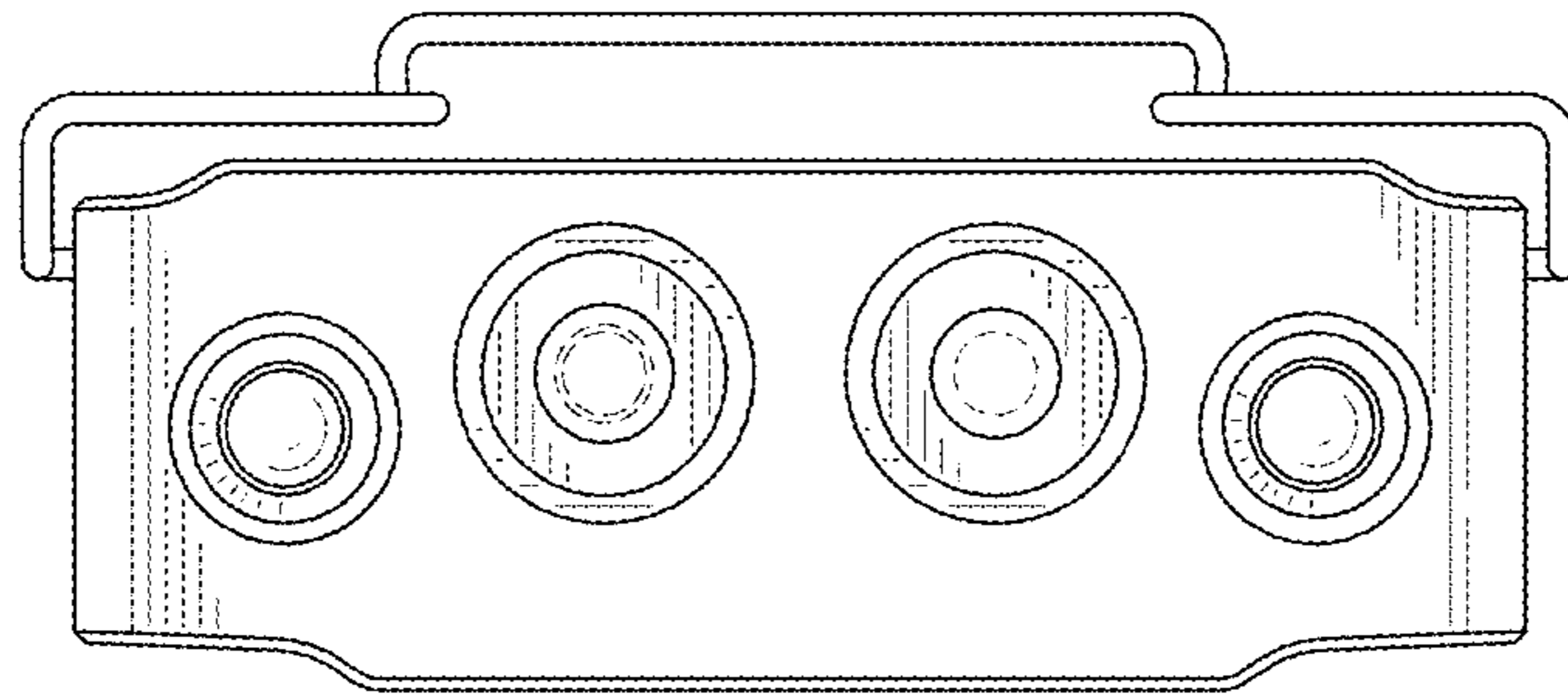


FIG. 5

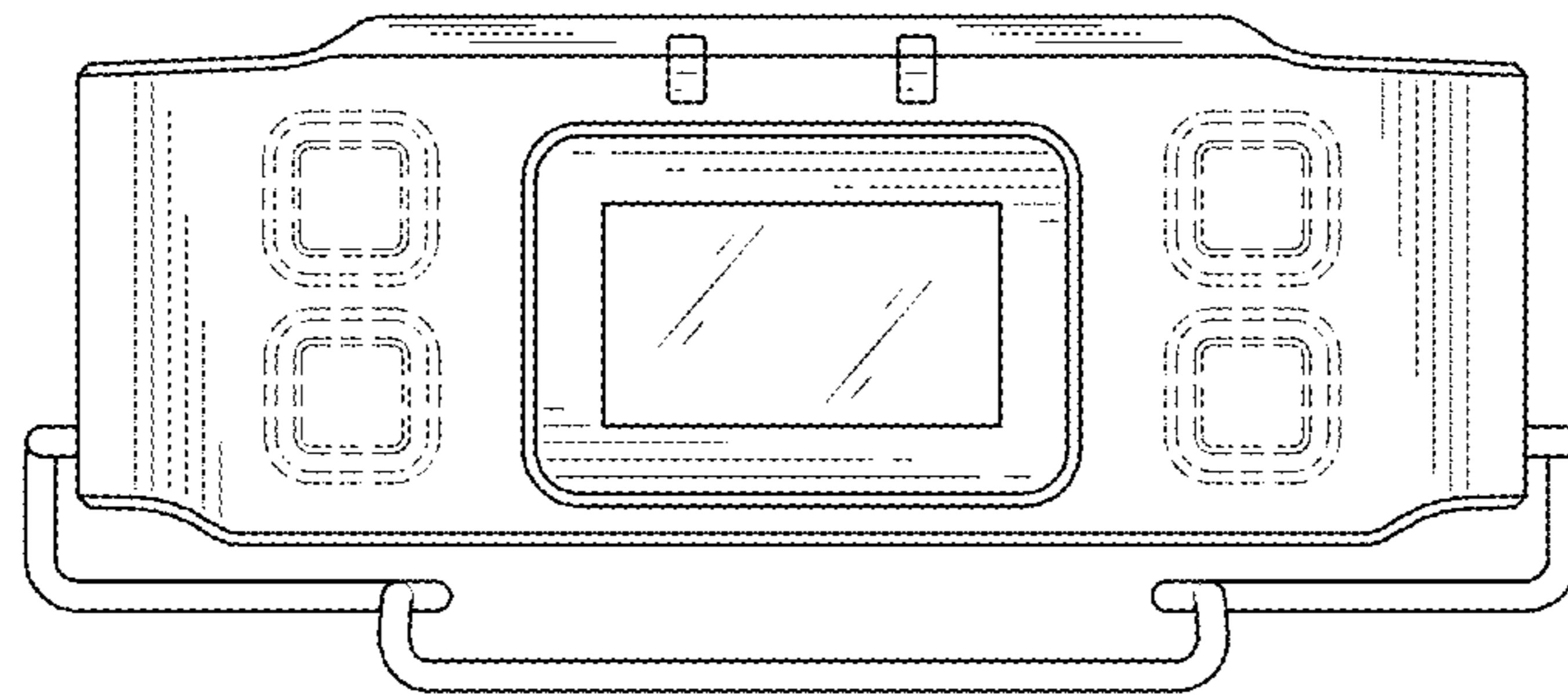


FIG. 6

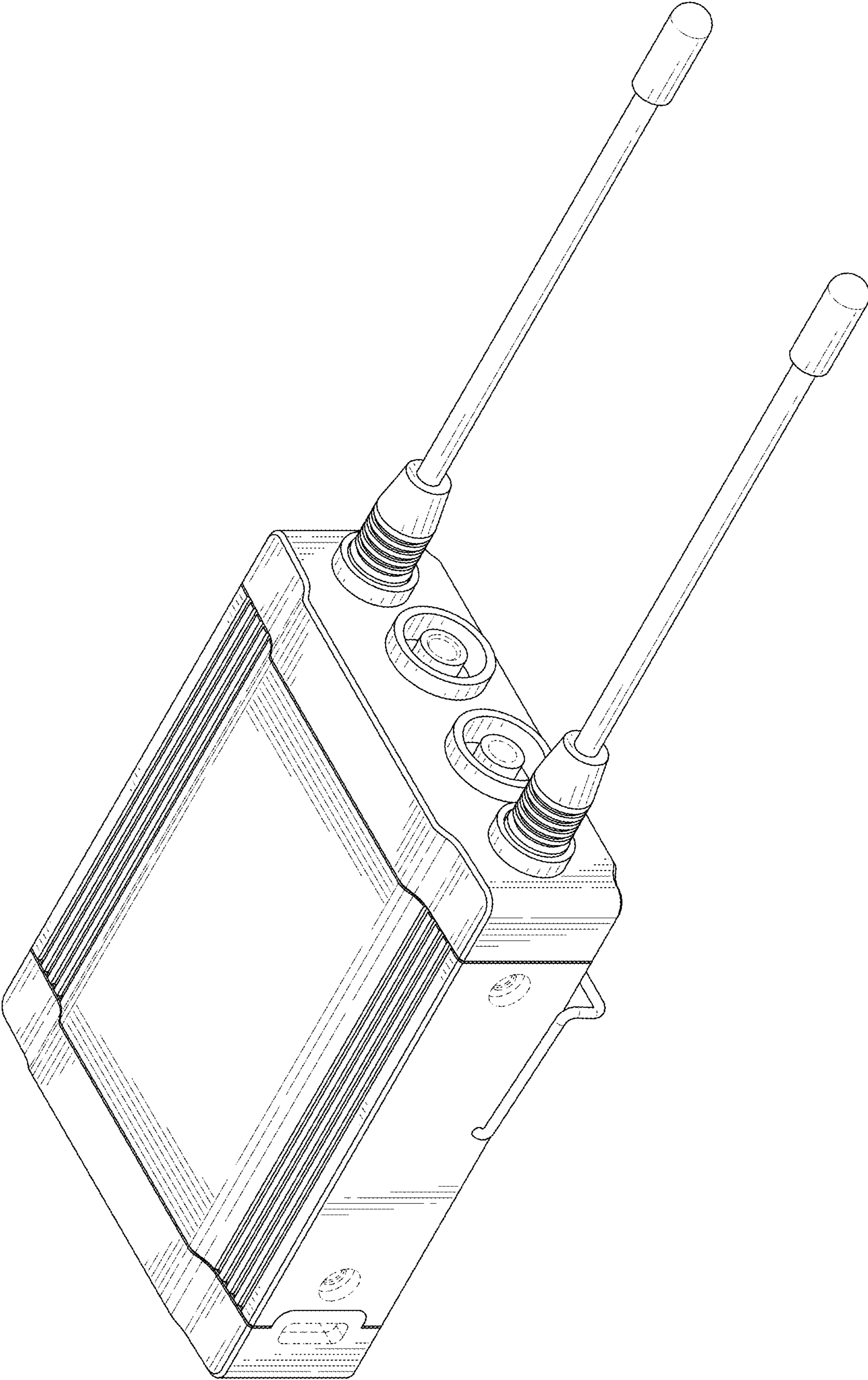


FIG. 7

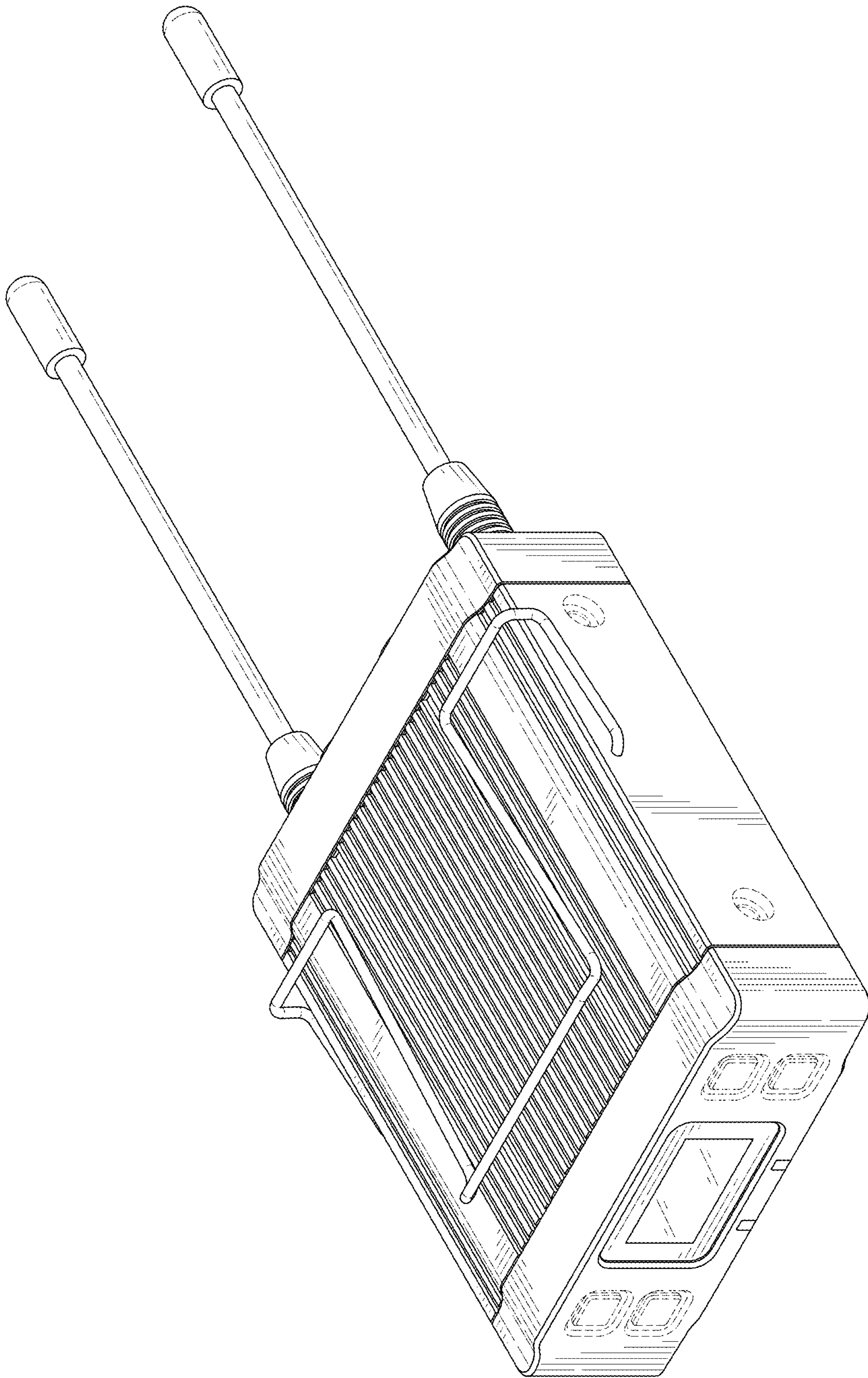


FIG. 8