

US00D959412S

(12) **United States Design Patent**  
**Sato et al.**

(10) **Patent No.:** **US D959,412 S**  
(45) **Date of Patent:** **\*\* Aug. 2, 2022**

(54) **EARPHONE**

(71) Applicant: **GUANGDONG OPPO MOBILE TELECOMMUNICATIONS CORP., LTD.**, Guangdong (CN)

(72) Inventors: **Oki Sato**, Tokyo (JP); **Xiangyu Li**, Guangdong (CN)

(73) Assignee: **GUANGDONG OPPO MOBILE TELECOMMUNICATIONS CORP., LTD.**, Dongguan (CN)

(\*\*) Term: **15 Years**

(21) Appl. No.: **29/764,508**

(22) Filed: **Dec. 30, 2020**

(30) **Foreign Application Priority Data**

Dec. 4, 2020 (CN) ..... 202030745695.2

(51) **LOC (13) Cl.** ..... **14-01**

(52) **U.S. Cl.**  
USPC ..... **D14/223**

(58) **Field of Classification Search**  
USPC ..... D14/223, 205; D24/174; 128/864–866;  
381/380–381, 322, 328  
CPC ..... H04R 1/10; H04R 25/00; H04R 1/1066;  
H04R 1/1016; H04R 1/105; H04R  
1/1008; H04R 1/1091  
See application file for complete search history.

(56) **References Cited**

**U.S. PATENT DOCUMENTS**

2,719,523 A \* 10/1955 Von Gierke ..... A61F 11/10  
128/864  
2,787,670 A \* 4/1957 Rowland ..... H04R 25/652  
381/328  
3,239,093 A \* 3/1966 Gath ..... H04R 25/652  
381/322  
D213,448 S \* 3/1969 Giller ..... D24/174

D230,280 S \* 2/1974 Nygard ..... D24/174  
4,870,688 A \* 9/1989 Voroba ..... H04R 25/609  
381/328  
4,977,976 A \* 12/1990 Major ..... H04R 25/48  
381/328

(Continued)

**FOREIGN PATENT DOCUMENTS**

JP 1593063 S 12/2017  
JP 1664398 S 7/2020

(Continued)

**OTHER PUBLICATIONS**

JP Publication Material RA0200874900, Mac Fan magazine, Mynavi Publishing Co. Ltd. No.9, vol. 28, p. 121, Sep. 1, 2020.

(Continued)

*Primary Examiner* — Paula Allen Greene

(74) *Attorney, Agent, or Firm* — Young Basile Hanlon & MacFarlane, P.C.

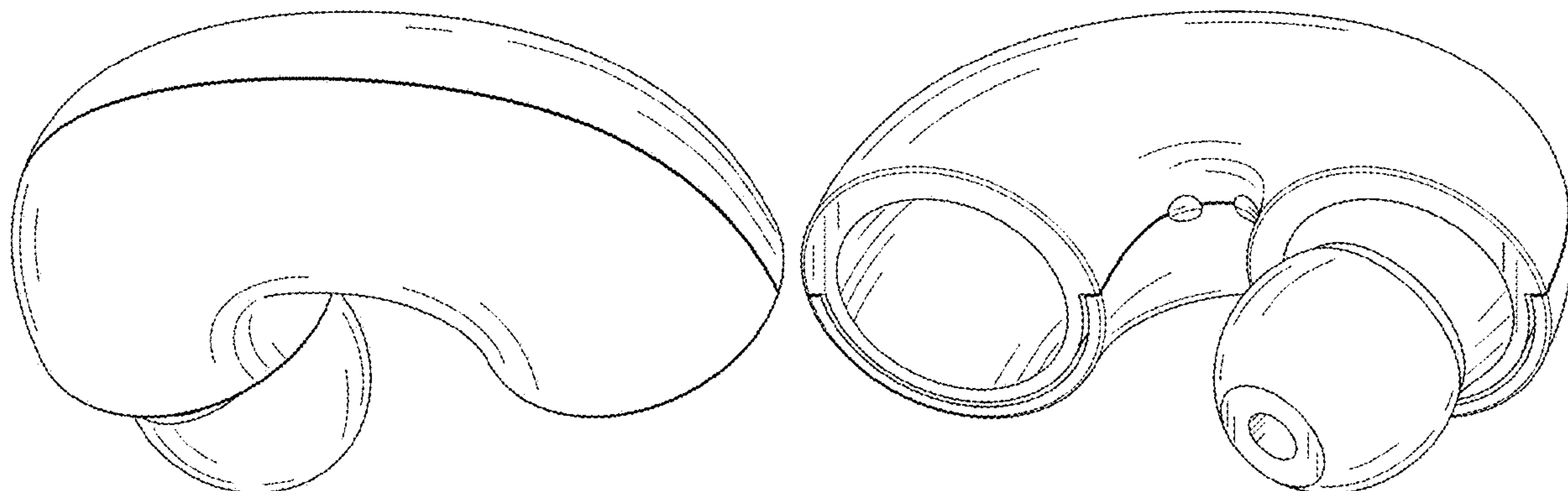
(57) **CLAIM**

The ornamental design for an earphone, as shown and described.

**DESCRIPTION**

FIG. 1 is a front right perspective view of the earphone showing our new design.  
FIG. 2 is a front left perspective view of the earphone of FIG. 1.  
FIG. 3 is a rear left perspective view of the earphone of FIG. 1.  
FIG. 4 is a front view of the earphone of FIG. 1.  
FIG. 5 is a rear view of the earphone of FIG. 1.  
FIG. 6 is a left side view of the earphone of FIG. 1.  
FIG. 7 is a right side view of the earphone of FIG. 1.  
FIG. 8 is a top view of the earphone of FIG. 1; and,  
FIG. 9 is a bottom view of the earphone of FIG. 1.

**1 Claim, 8 Drawing Sheets**



(56)

References Cited

U.S. PATENT DOCUMENTS

D464,039 S \* 10/2002 Boesen ..... D14/223  
 D468,300 S \* 1/2003 Boesen ..... D14/223  
 D499,397 S \* 12/2004 Hlas ..... D14/223  
 D512,990 S \* 12/2005 Yang ..... D14/223  
 D514,094 S \* 1/2006 Griffin ..... D14/223  
 D532,770 S \* 11/2006 Engstrom ..... D14/205  
 7,403,629 B1 \* 7/2008 Aceti ..... H04R 25/656  
 381/322  
 D575,767 S \* 8/2008 Lee ..... D14/205  
 D586,333 S \* 2/2009 Tkachuk ..... D14/223  
 D627,766 S \* 11/2010 Arimoto ..... D14/223  
 7,864,974 B2 \* 1/2011 Chen ..... H04R 1/1016  
 381/345  
 D633,086 S \* 2/2011 Chen ..... D14/223  
 D637,183 S \* 5/2011 March ..... D14/223  
 D637,184 S \* 5/2011 March ..... D14/223  
 D641,738 S \* 7/2011 Perez ..... D14/223  
 D641,739 S \* 7/2011 Huang ..... D14/223  
 D662,493 S \* 6/2012 Chen ..... D14/223  
 D762,616 S \* 8/2016 Hsieh ..... D14/223  
 D778,268 S \* 2/2017 Hsieh ..... D14/223  
 D861,645 S \* 10/2019 Sharma ..... D14/223  
 D861,646 S \* 10/2019 Sharma ..... D14/223  
 D872,062 S \* 1/2020 Cui ..... D14/223  
 D884,680 S \* 5/2020 Li ..... D14/223  
 D889,664 S \* 7/2020 Beedham ..... D24/174  
 D901,453 S \* 11/2020 Coster ..... D14/223  
 D904,348 S \* 12/2020 Coster ..... D14/223  
 2009/0052709 A1 \* 2/2009 Smith ..... H04R 25/02  
 381/328

2009/0180653 A1 \* 7/2009 Sjursen ..... H04R 25/60  
 381/322  
 2009/0245559 A1 \* 10/2009 Boltyenkov ..... H04R 25/658  
 381/328  
 2011/0051977 A1 \* 3/2011 Losko ..... H04R 25/55  
 381/380  
 2011/0058697 A1 \* 3/2011 Shennib ..... H04R 25/02  
 381/328  
 2011/0135131 A1 \* 6/2011 Winther ..... H04R 25/02  
 381/322  
 2011/0268304 A1 \* 11/2011 Ang ..... H04R 25/02  
 381/330  
 2015/0195638 A1 \* 7/2015 Tseng ..... H04R 1/1058  
 381/380  
 2015/0289061 A1 \* 10/2015 Rasmussen ..... H04R 25/02  
 381/328  
 2015/0382099 A1 \* 12/2015 Chu ..... H04R 1/2811  
 381/370  
 2020/0260193 A1 \* 8/2020 Collado Bonet .... H04R 25/405

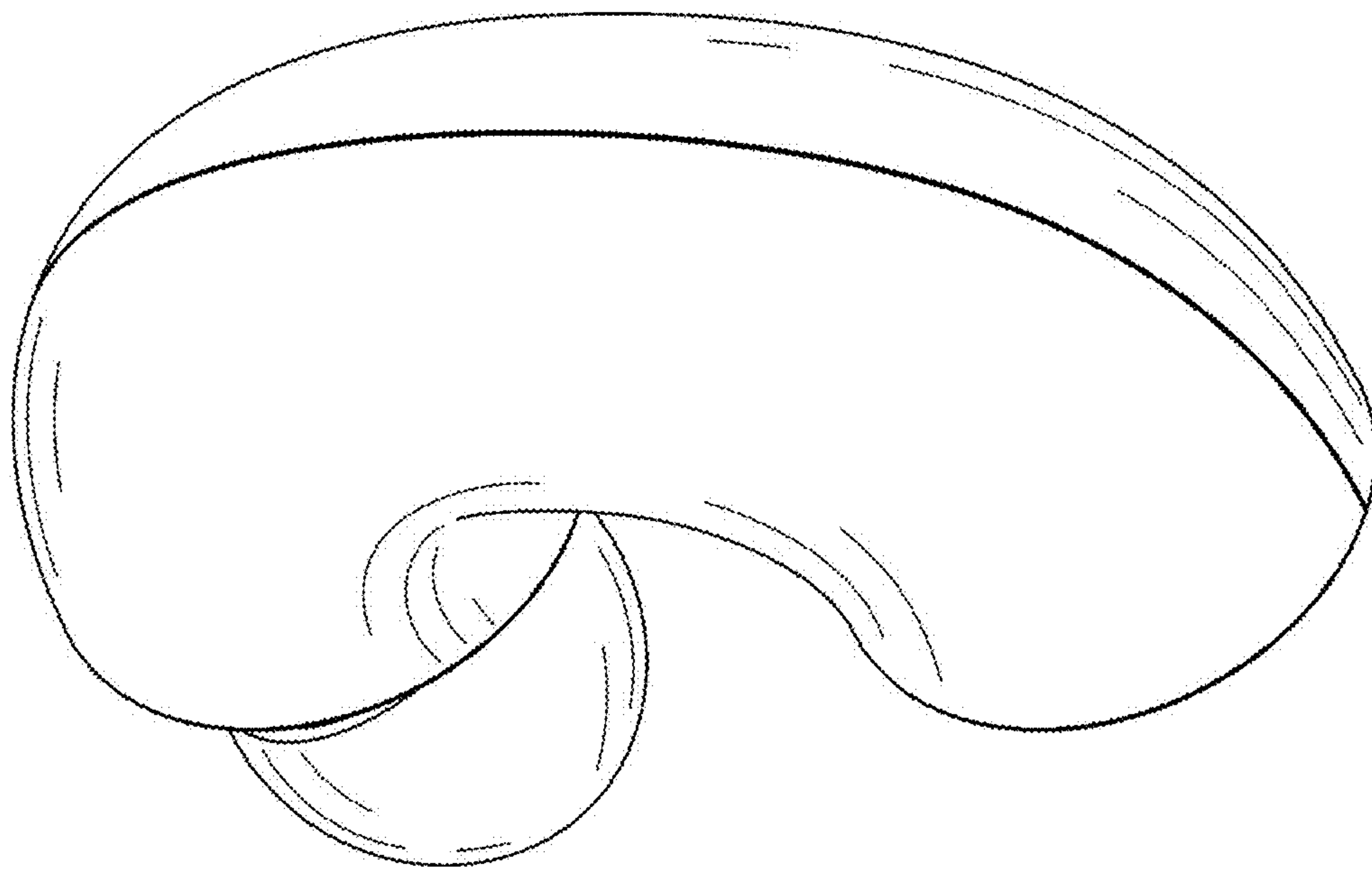
FOREIGN PATENT DOCUMENTS

JP 1670134 S 10/2020  
 JP 1680809 S 3/2021  
 JP 1680810 S 3/2021

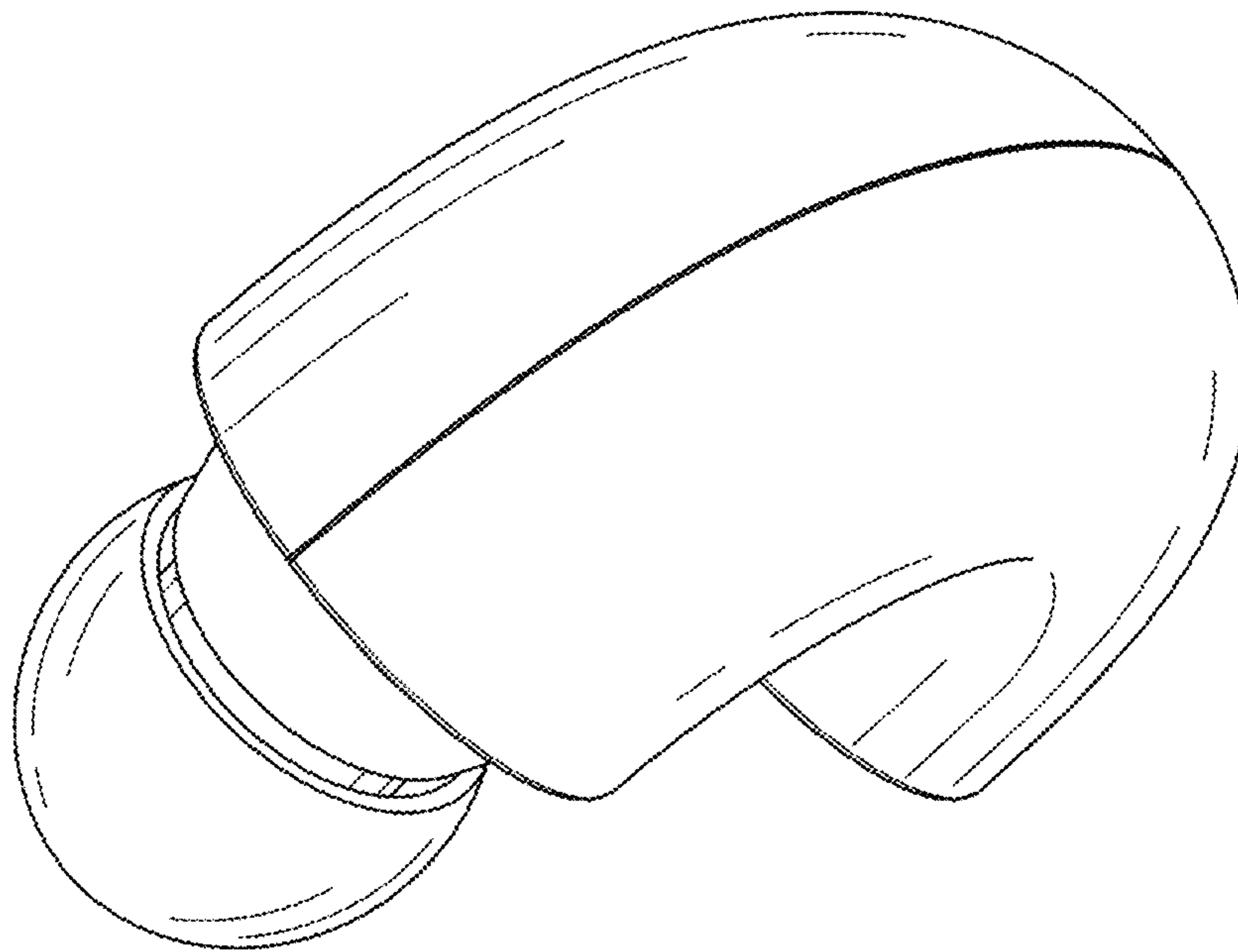
OTHER PUBLICATIONS

Japanese Office Action with English Translation for JP Application  
 2020028532 dated Jul 27, 2021. (7 pages).

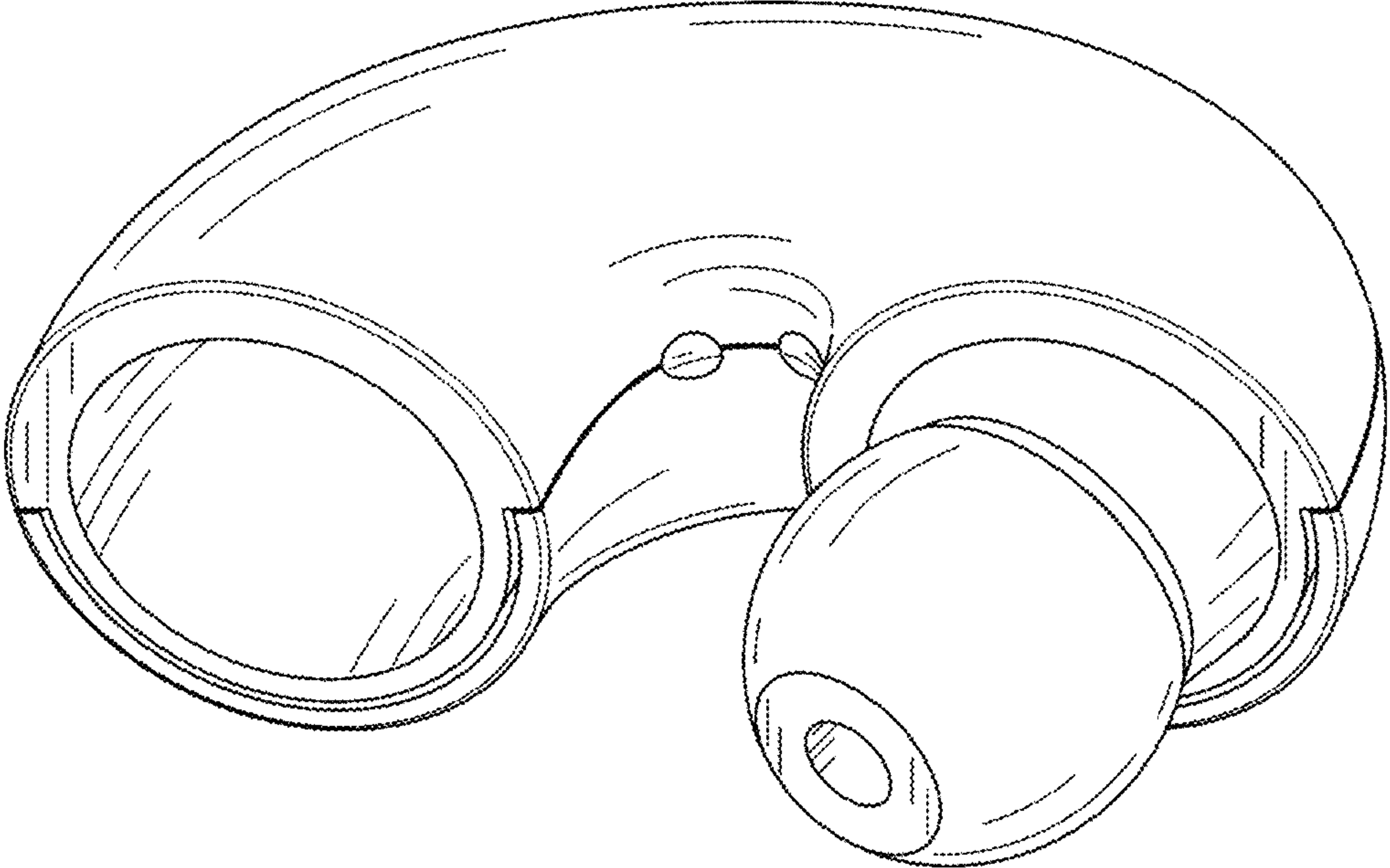
\* cited by examiner



**FIG. 1**

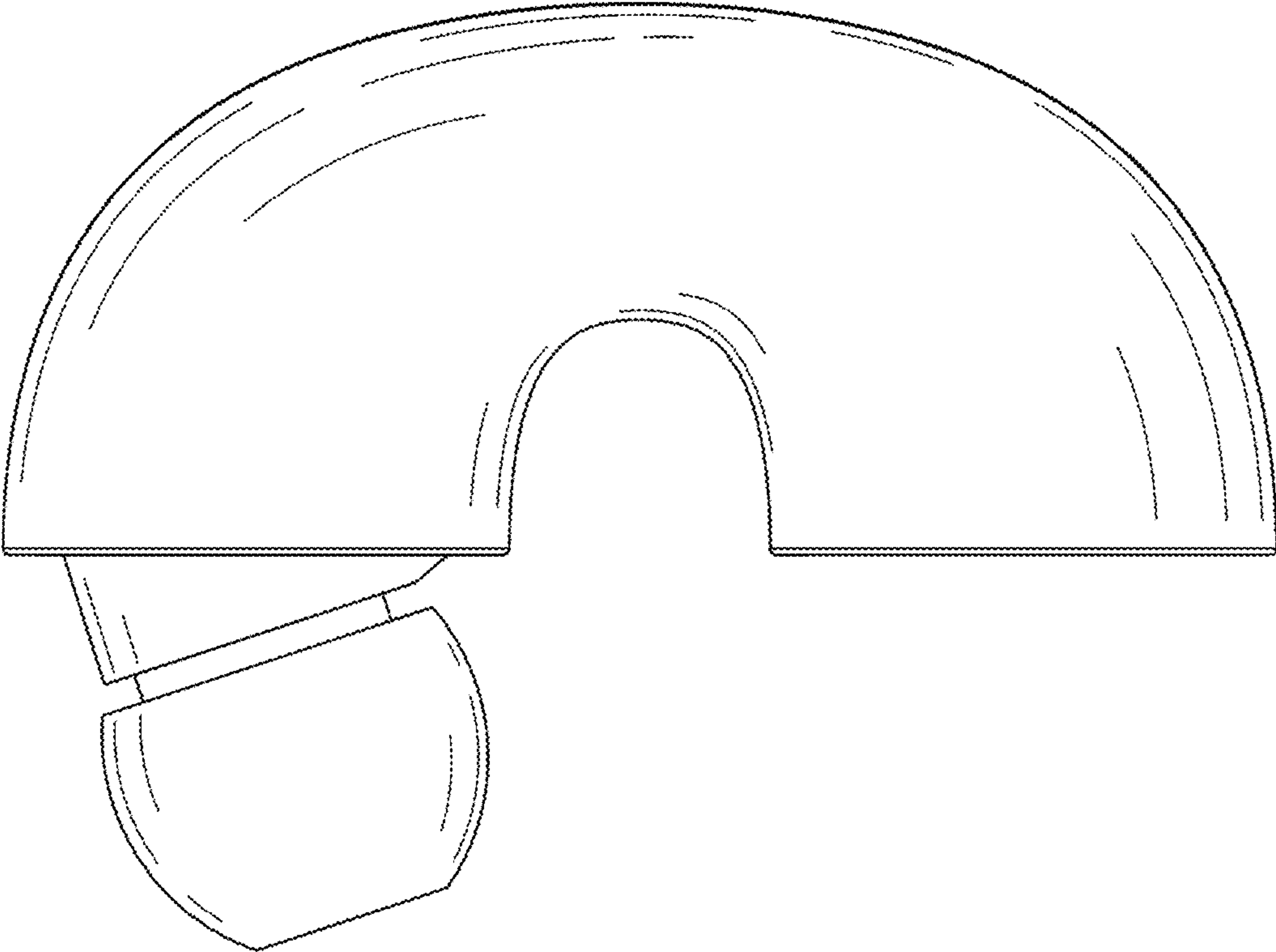


**FIG. 2**

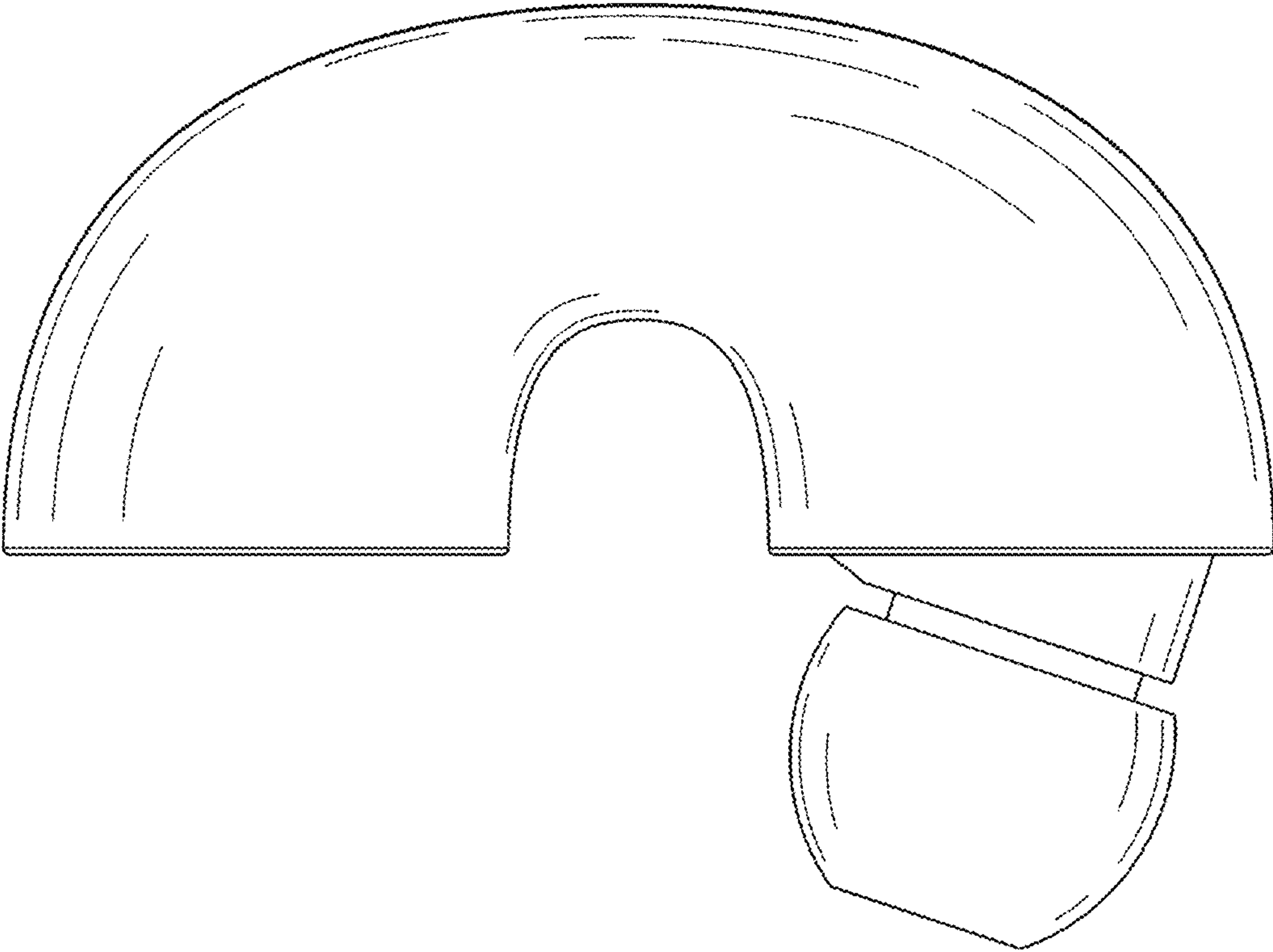


**FIG. 3**

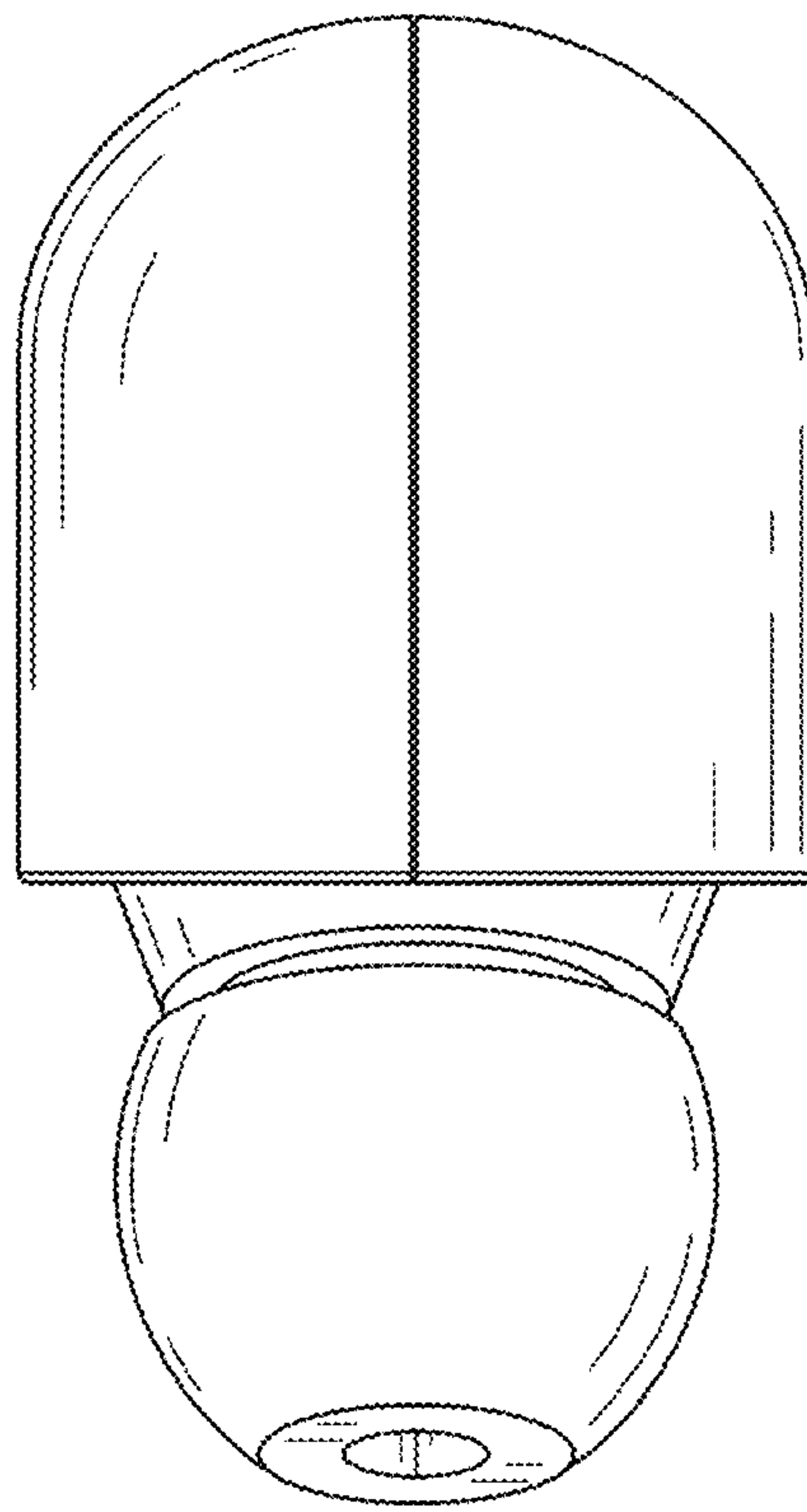




**FIG. 4**

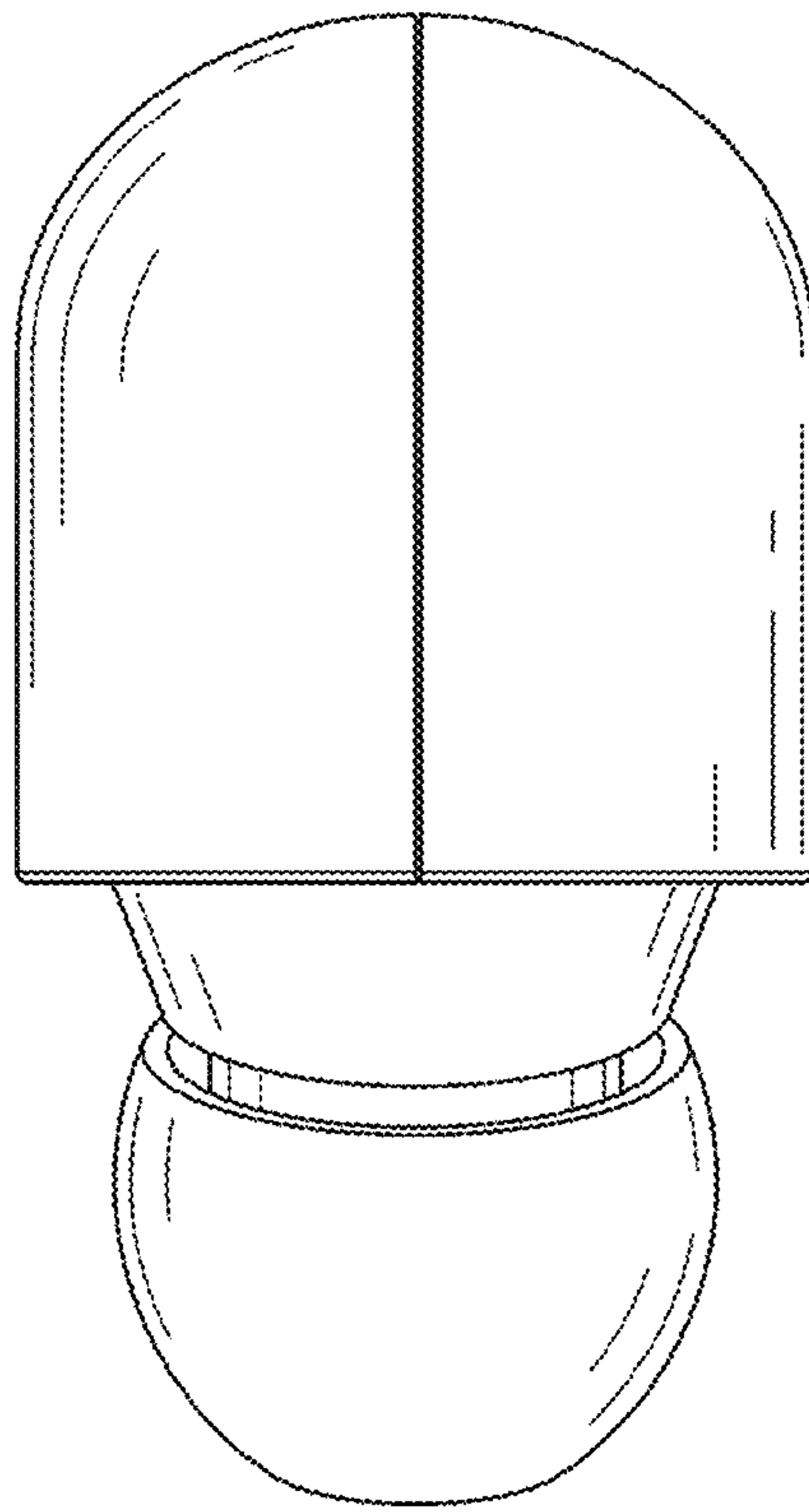


**FIG. 5**

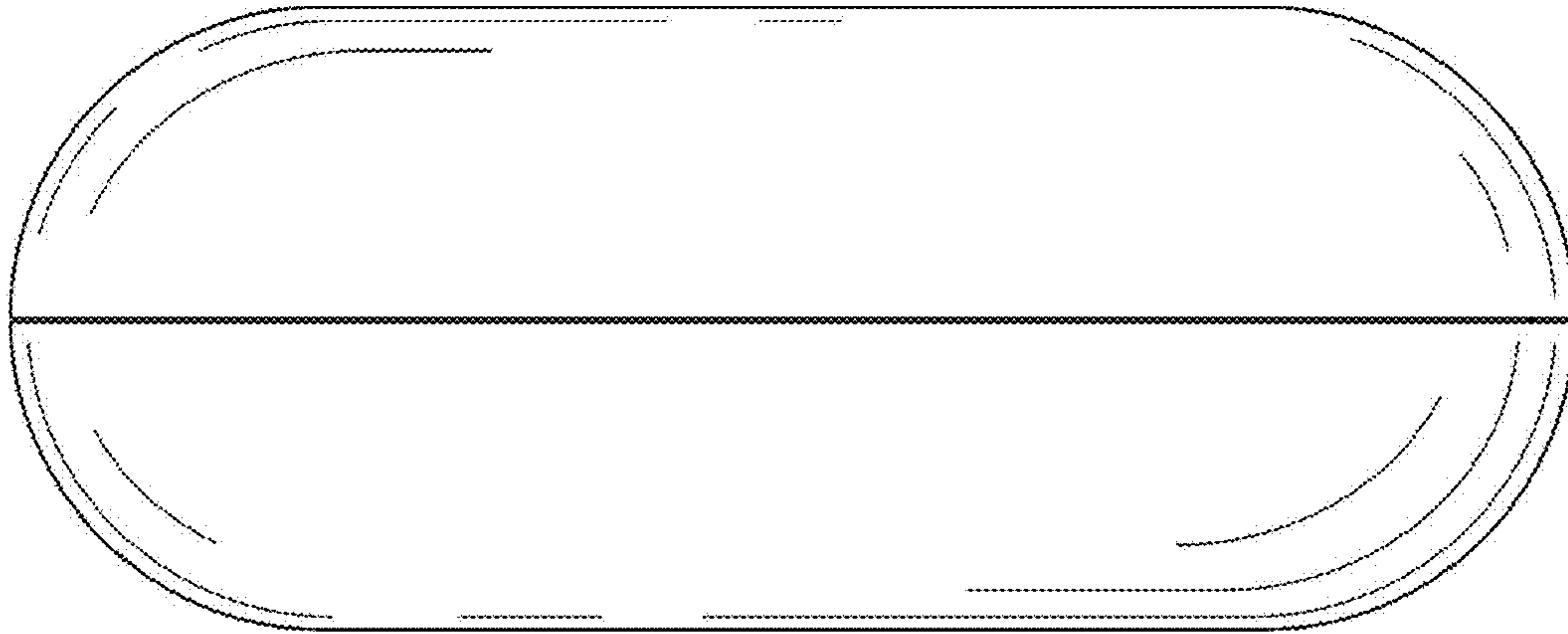


**FIG. 6**

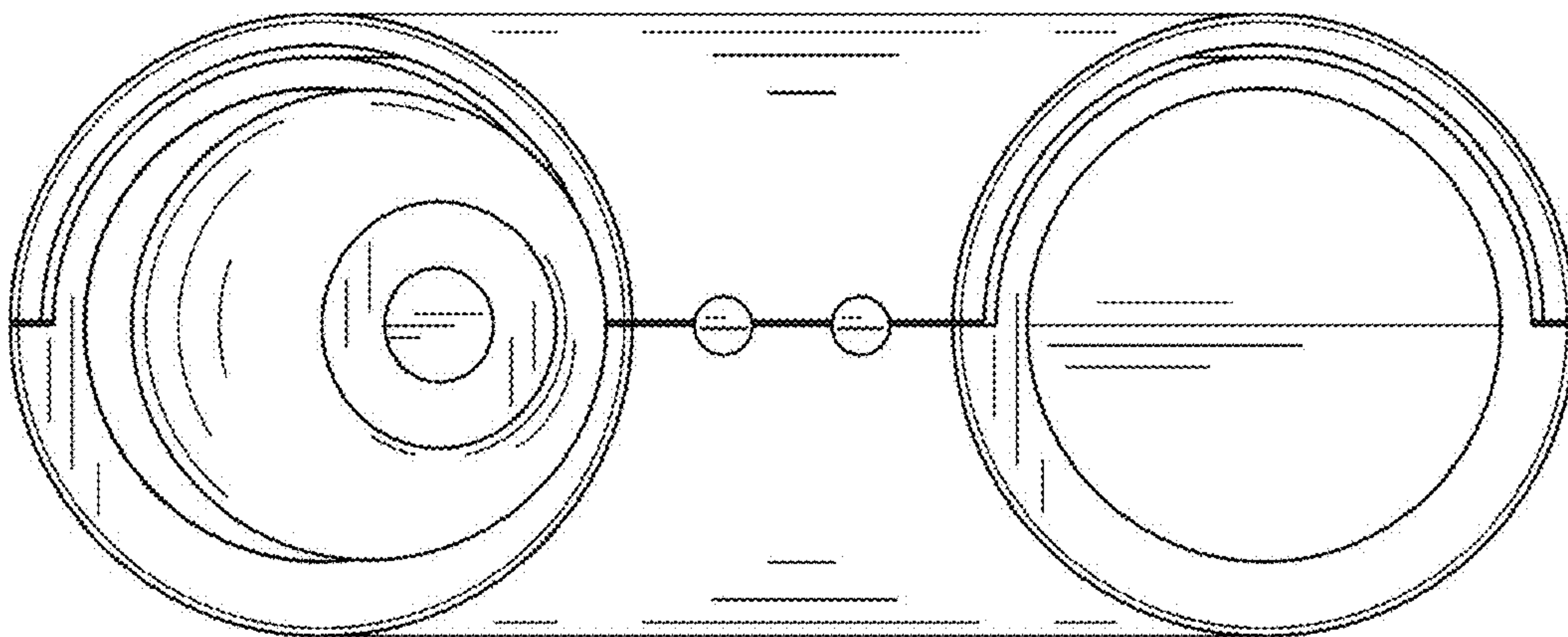




**FIG. 7**



**FIG. 8**



**FIG. 9**