



US00D959411S

(12) **United States Design Patent**
Ando et al.

(10) **Patent No.:** **US D959,411 S**

(45) **Date of Patent:** **** Aug. 2, 2022**

(54) **EARPHONE**

(71) Applicant: **JVCKENWOOD Corporation,**
Yokohama (JP)

(72) Inventors: **Yui Ando,** Yokohama (JP); **Satoshi Yoshimura,** Yokohama (JP)

(73) Assignee: **JVCKENWOOD Corporation,**
Yokohama (JP)

(**) Term: **15 Years**

(21) Appl. No.: **29/761,564**

(22) Filed: **Dec. 10, 2020**

(30) **Foreign Application Priority Data**

Sep. 17, 2020 (JP) 2020-019855 D

(51) **LOC (13) Cl.** **14-01**

(52) **U.S. Cl.**
USPC **D14/223**

(58) **Field of Classification Search**
USPC D14/205, 207, 217, 221, 225; D24/106,
D24/173, 174; D29/112

CPC H04R 1/10; H04R 1/1016; H04R 1/1066;
H04R 1/105; H04R 1/1033; H04R 1/08;
H04R 5/033; H04R 5/0335; H04R 25/00

See application file for complete search history.

(56) **References Cited**

U.S. PATENT DOCUMENTS

D742,861 S * 11/2015 Miyake D14/223
D800,097 S * 10/2017 Chen D14/223
D817,309 S * 5/2018 Czaniecki D14/223
D870,695 S * 12/2019 Min D14/205
D883,261 S * 5/2020 Zhang D14/223
D884,681 S * 5/2020 Zhang D14/223
D894,123 S * 8/2020 Xiong D14/223
D894,160 S * 8/2020 Andrevski D14/223
D904,352 S * 12/2020 Park H04R 1/1016
D14/223

D906,292 S * 12/2020 Wang D14/223
D906,298 S * 12/2020 Wang D14/223
D910,603 S * 2/2021 Li D14/223
D912,016 S * 3/2021 Ando D14/223
D912,647 S * 3/2021 Williamson D14/223

(Continued)

FOREIGN PATENT DOCUMENTS

CN 305895902 * 7/2020
CN 306161795 * 11/2020

OTHER PUBLICATIONS

Skullcandy, first available Aug. 2, 2019 [online], [retrieved Mar. 24, 2022]. Available from the Internet, URL:<https://www.amazon.com/dp/B07VS4GKQT/ref=cm_sw_em_r_mt_dp_P55ZA46XWWZZJXVN0D2E?_encoding=UTF8&psc=1>. (Year: 2019).*

(Continued)

Primary Examiner — Dana K Weiland

Assistant Examiner — Russell Carnell Smith, Jr.

(74) *Attorney, Agent, or Firm* — Amin, Turocy & Watson, LLP

(57) **CLAIM**

The ornamental design for an earphone, as shown and described.

DESCRIPTION

FIG. 1 is a left, front, and bottom perspective view of an earphone;

FIG. 2 is a front elevational view thereof;

FIG. 3 is a rear elevational view thereof;

FIG. 4 is a top plan view thereof;

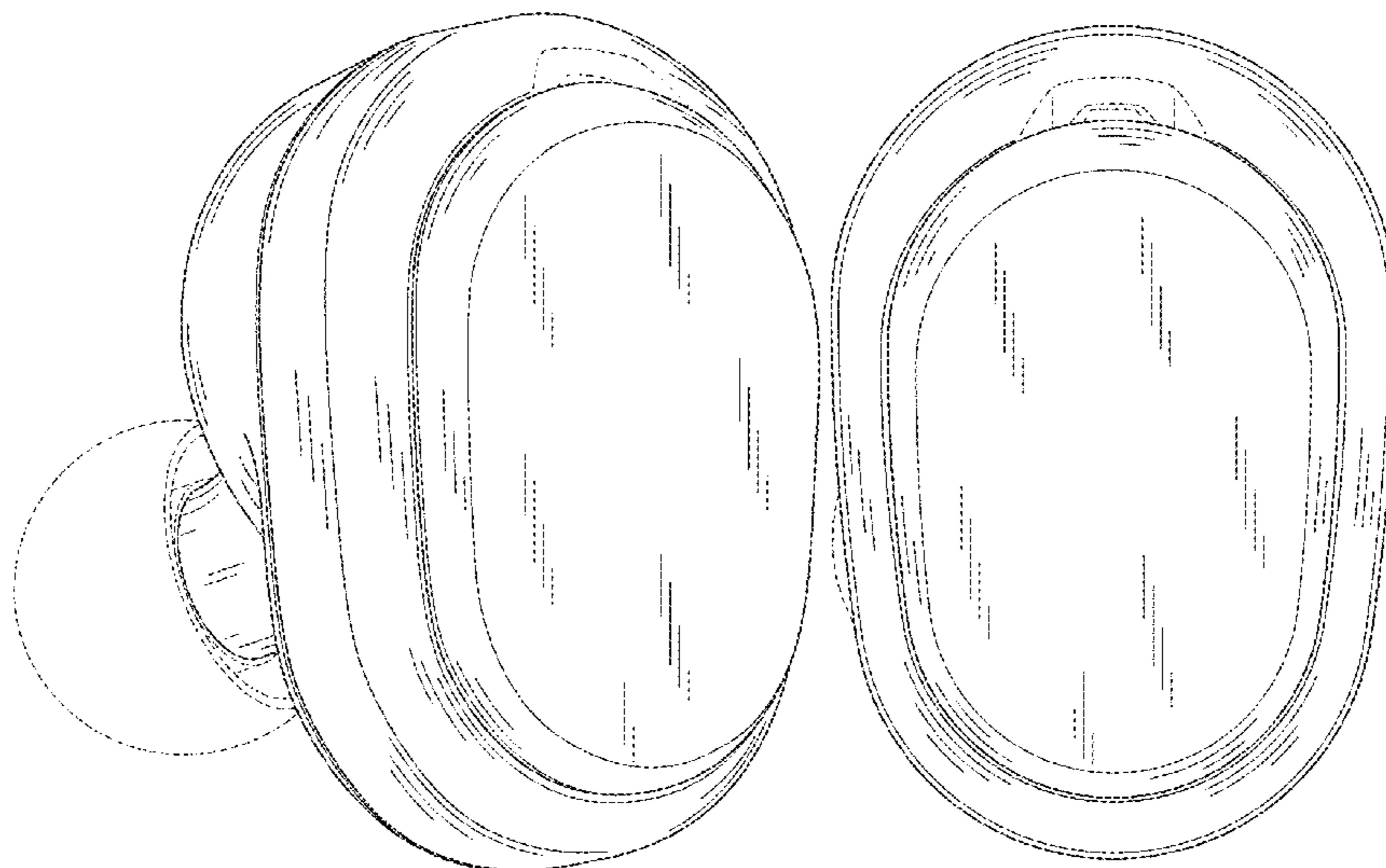
FIG. 5 is a bottom plan view thereof;

FIG. 6 is a left side elevational view thereof; and,

FIG. 7 is a right side elevational view thereof.

The broken lines shown in the drawings illustrate portions of the earphone that form no part of the claimed design.

1 Claim, 7 Drawing Sheets



(56)

References Cited

U.S. PATENT DOCUMENTS

D920,288 S * 5/2021 Vautour D14/223
D924,848 S * 7/2021 Yang D14/223
D926,162 S * 7/2021 Dang D14/223
D926,163 S * 7/2021 Williamson D14/223
D927,466 S * 8/2021 Zhang D14/223
D928,742 S * 8/2021 Liu D14/223
D936,638 S * 11/2021 Lefebure D14/223
D939,479 S * 12/2021 Wang D14/223
2017/0026738 A1* 1/2017 Tang H04R 1/1091
2020/0374621 A1* 11/2020 Huang H04R 1/1075
2021/0352395 A1* 11/2021 Wang A61B 5/02438

OTHER PUBLICATIONS

TOZO W1, first available Sep. 13, 2021 [online], [retrieved Mar. 24, 2022]. Available from the Internet, URL:<https://www.amazon.com/dp/B08R8HG6VR/ref=cm_sw_em_r_mt_dp_HVMC7T9K0H4QXV2EB4WF>. (Year: 2021).*

* cited by examiner

Fig. 1

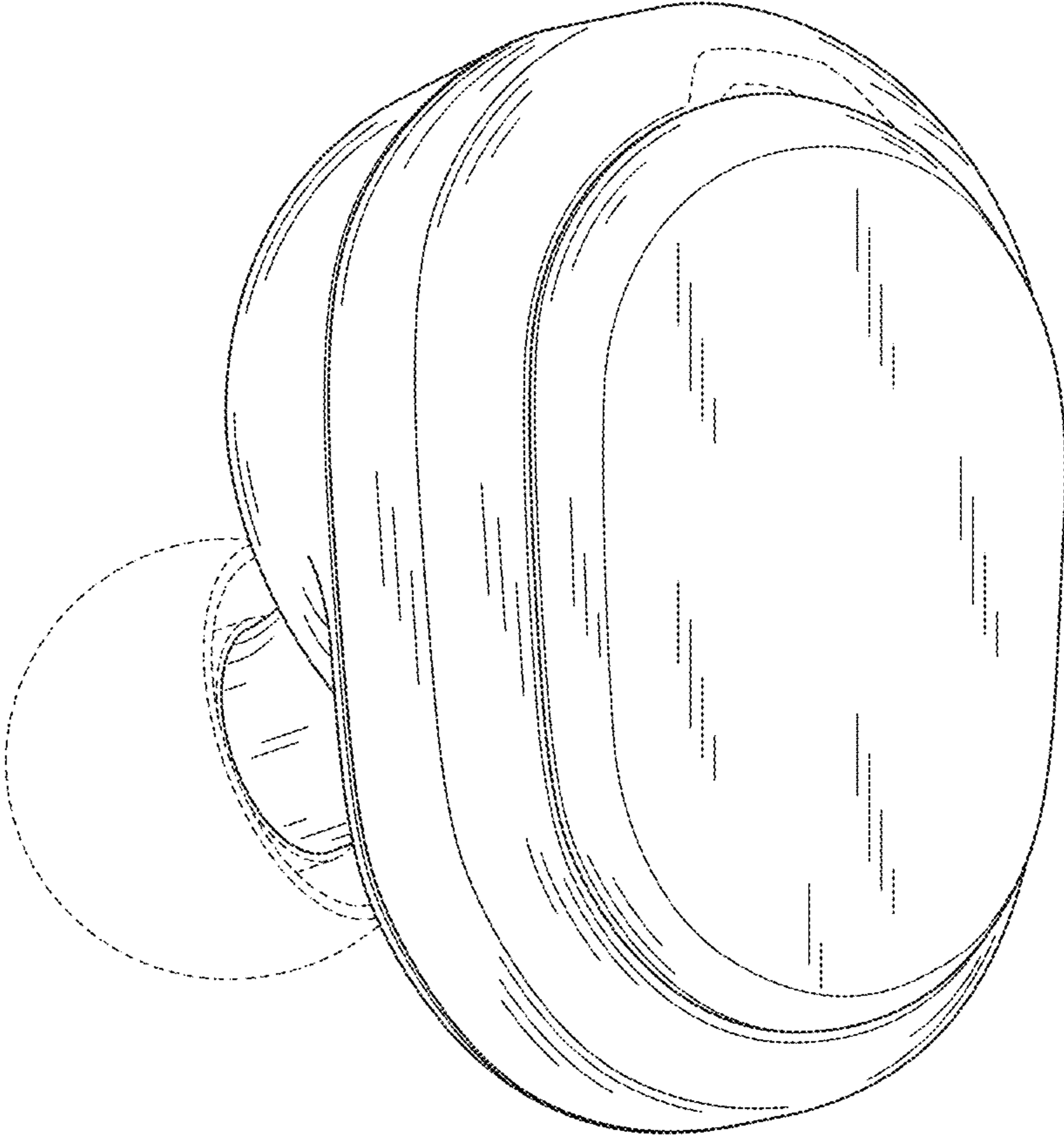


Fig.2

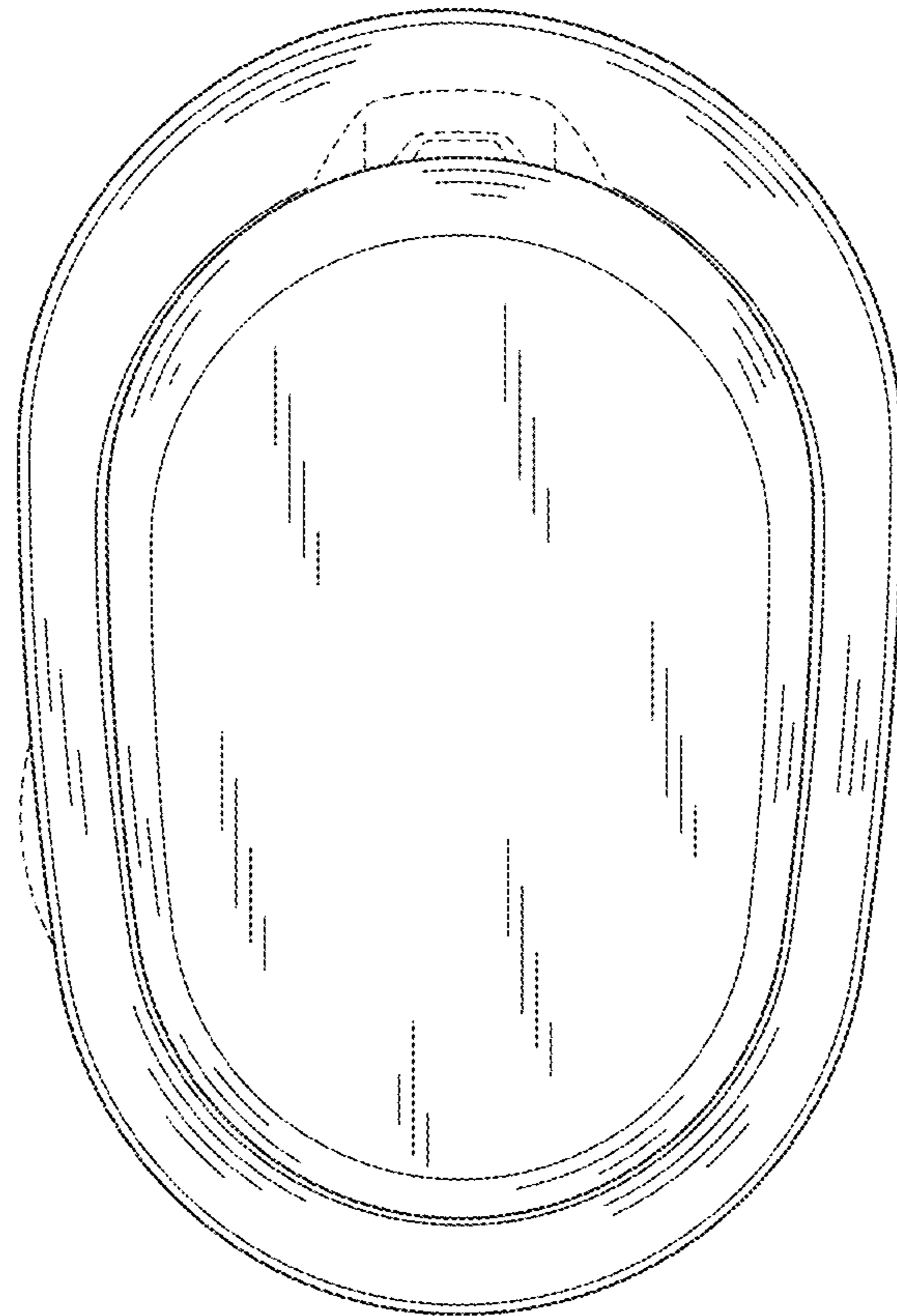


Fig.3

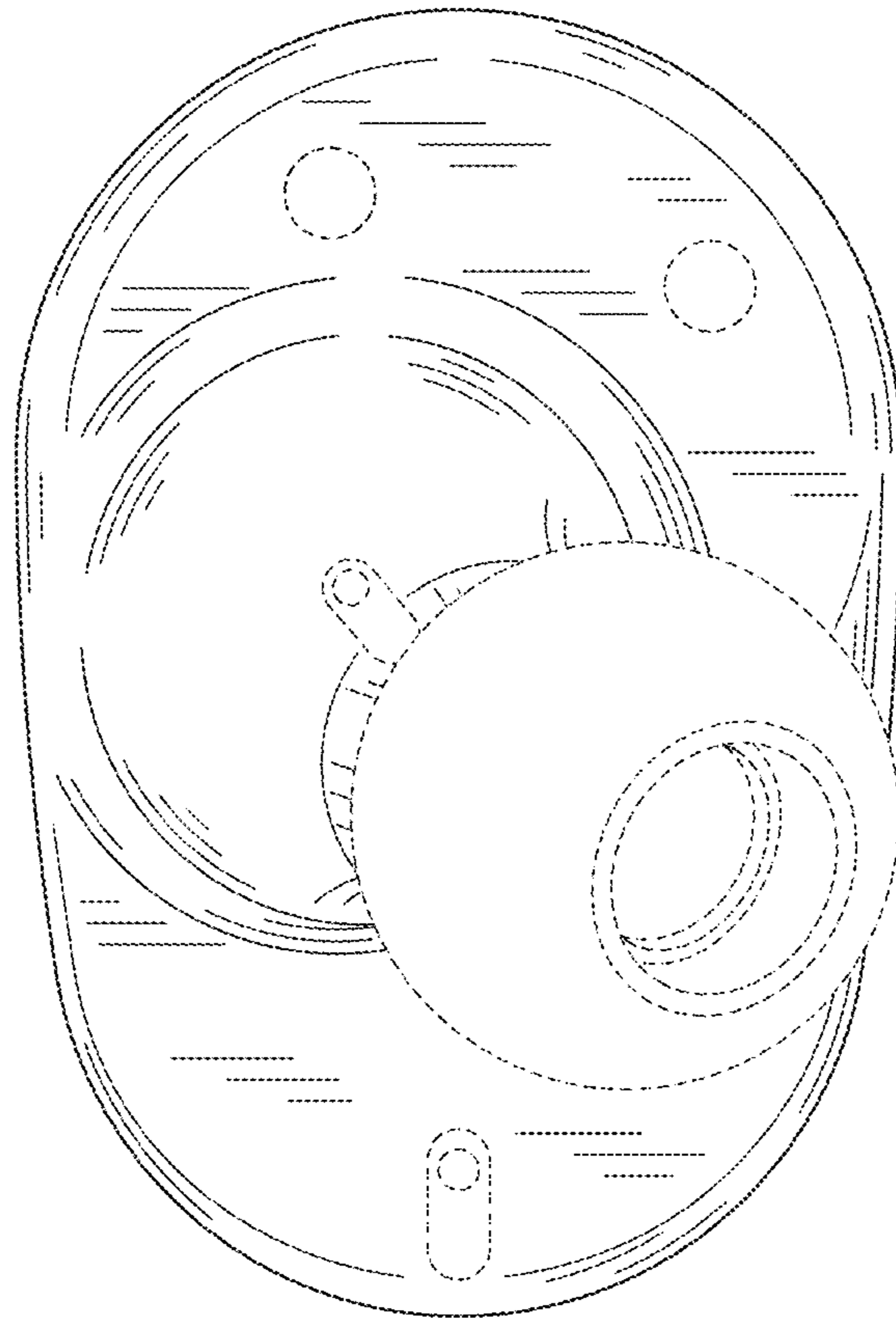


Fig.4

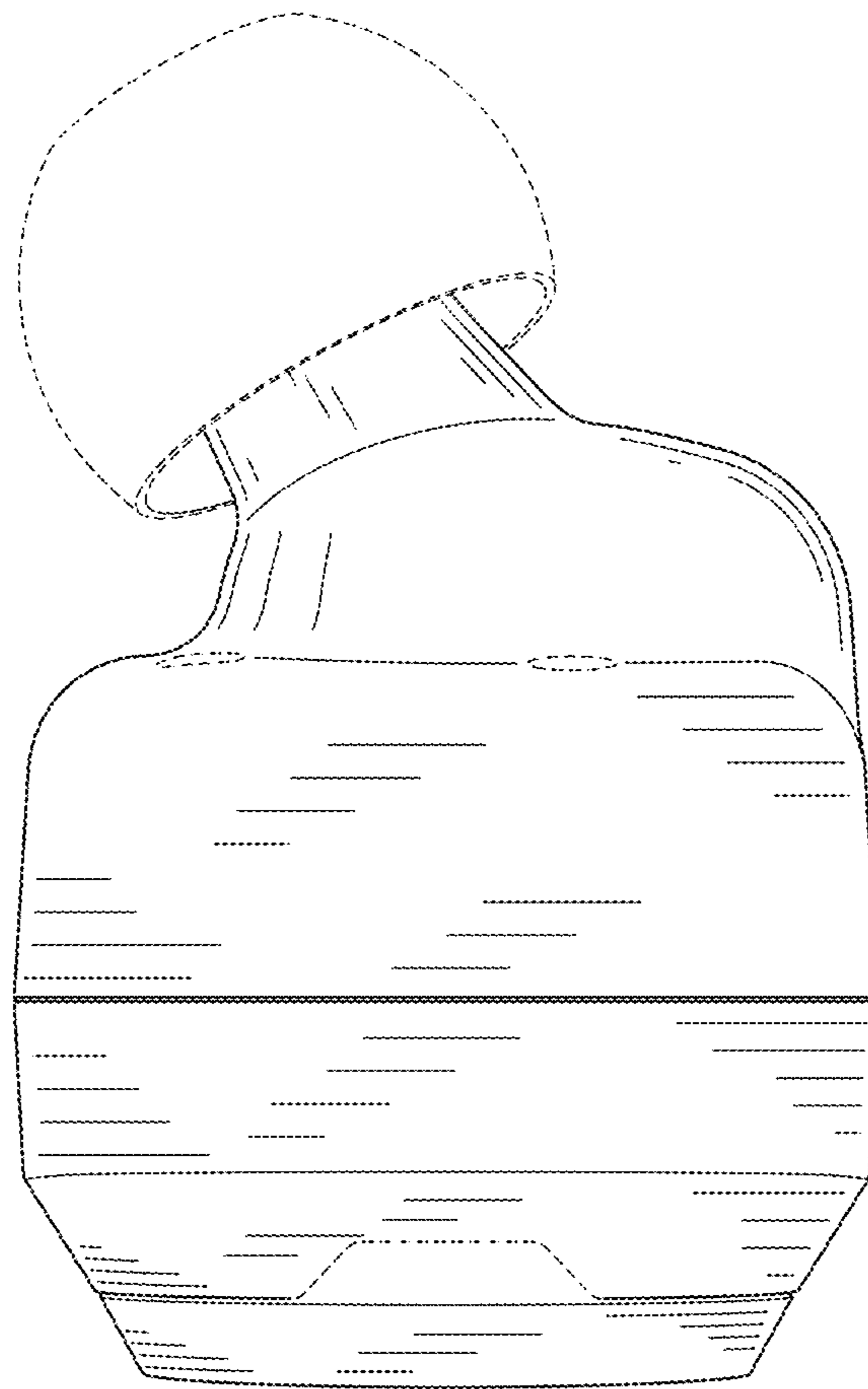


Fig.5

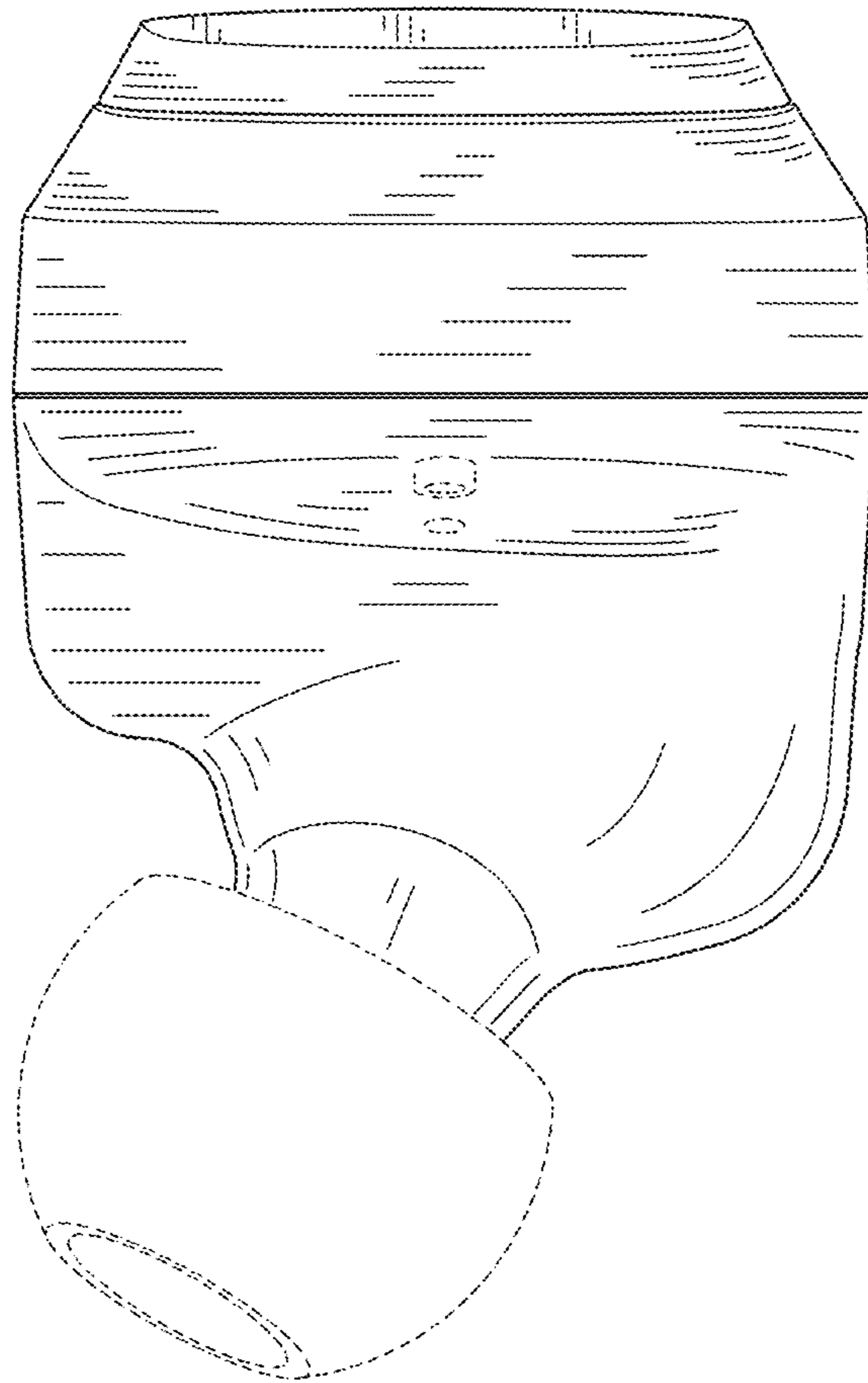


Fig.6

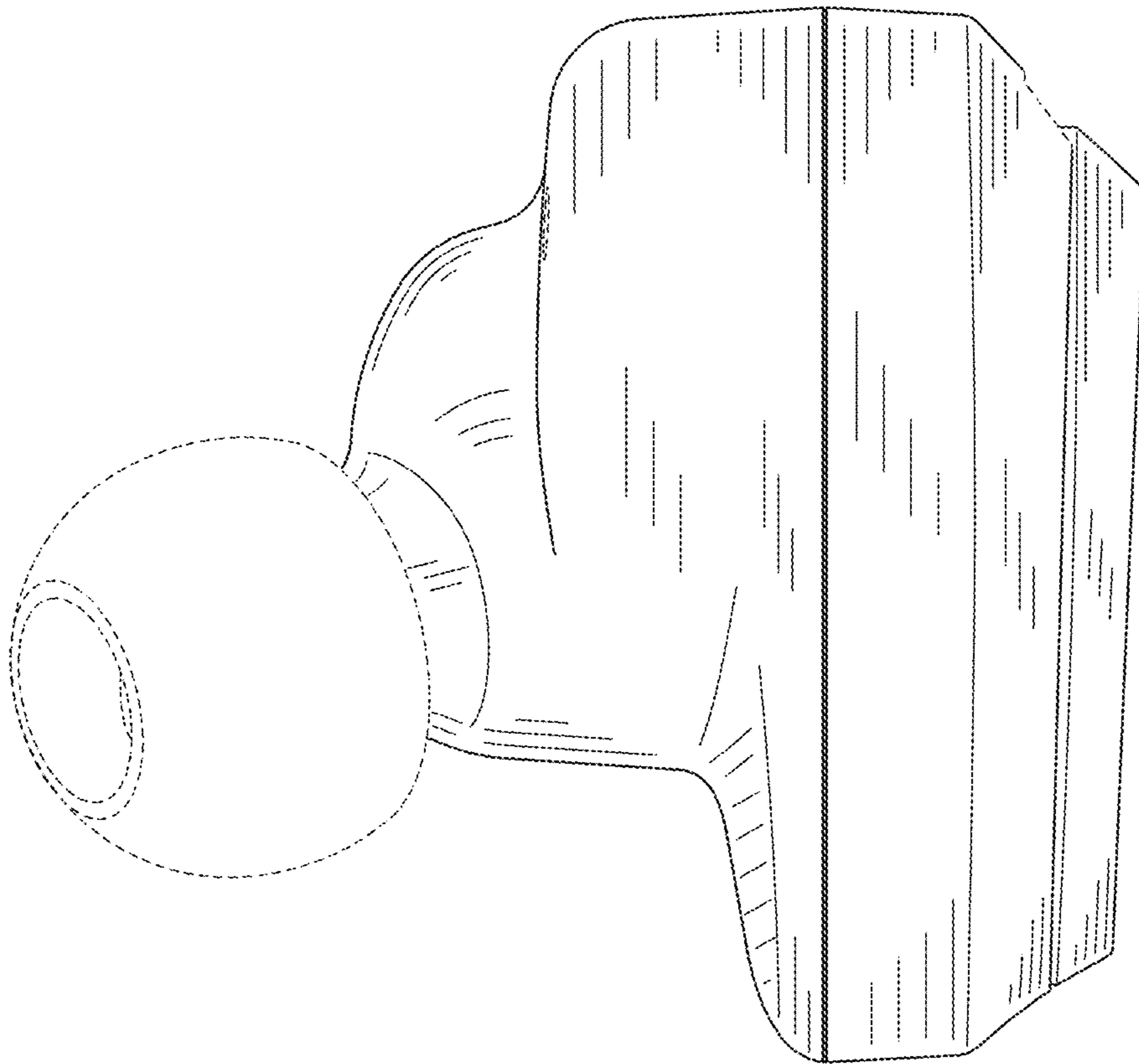


Fig. 7

