



US00D959409S

(12) **United States Design Patent** (10) **Patent No.:** **US D959,409 S**
Desagre et al. (45) **Date of Patent:** **** Aug. 2, 2022**

(54) **WIRELESS REMOTE CONTROL**
(71) Applicant: **SOMFY ACTIVITES SA**, Cluses (FR)
(72) Inventors: **Thomas Desagre**, Sallanches (FR);
Mathieu PrevotEAU, Cran-Gevrier (FR);
Pierre Garner, Paris (FR); **Thomas Droze**, Chambéry (FR)
(73) Assignee: **SOMFY ACTIVITES SA**, Cluses (FR)
(**) Term: **15 Years**

D538,758 S * 3/2007 Lemaire D13/169
D561,113 S * 2/2008 Samhammer D13/162
D595,670 S * 7/2009 Glassman D13/168
D627,306 S * 11/2010 Charleux D13/168
D735,131 S * 7/2015 Akana D13/108
D756,333 S * 5/2016 Smith D14/218
D757,691 S * 5/2016 Smith D14/218
D766,844 S * 9/2016 Turksu D10/104.1
D768,114 S * 10/2016 Hou D14/218
D784,259 S * 4/2017 Huang D13/108
D786,193 S * 5/2017 Akana D13/108
D796,355 S * 9/2017 Cho D10/70
D829,242 S * 9/2018 Laine D14/496

(Continued)

(21) Appl. No.: **35/512,020**
(22) Filed: **Jun. 3, 2021**
(80) **Hague Agreement Data**
Int. Filing Date: **Jun. 3, 2021**
Int. Reg. No.: **DM/214645**
Int. Reg. Date: **Jun. 3, 2021**
Int. Reg. Pub. Date: **Jun. 18, 2021**

OTHER PUBLICATIONS

Lumen, domácí elektroinstalační set by Magdalena Curdova, publication date Jan. 14, 2013, [online] URL: <https://www.behance.net/gallery/6667687/LUMEN-circular-switches> (Year: 2013).*

(Continued)

(30) **Foreign Application Priority Data**
Dec. 4, 2020 (EM) 008309827-0002
(51) **LOC (13) Cl.** **14-03**
(52) **U.S. Cl.**
USPC **D14/218**; D13/158
(58) **Field of Classification Search**
USPC D13/162, 168, 158, 169, 171; D14/217,
D14/218, 228, 388, 455, 203.1, 203.6,
D14/216, 496; D21/566
CPC G08C 17/00; G08C 17/02; H04B 1/202;
H01H 9/02; H01H 9/0214; H01H 9/0235;
H01H 9/0242
See application file for complete search history.

Primary Examiner — L. A. Grabenstetter
(74) *Attorney, Agent, or Firm* — IpHorgan Ltd.

(56) **References Cited**
U.S. PATENT DOCUMENTS

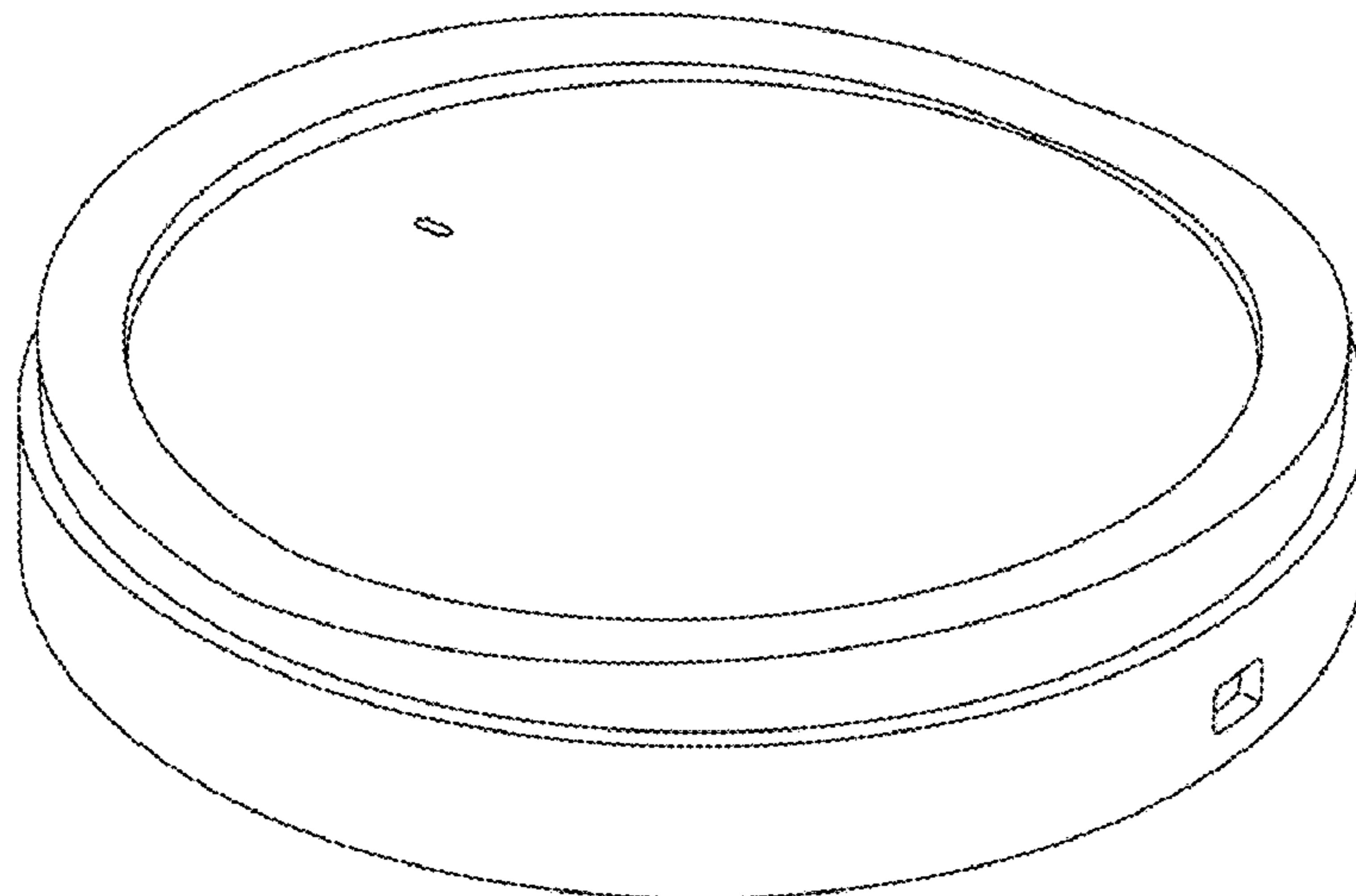
D496,336 S * 9/2004 Wang D13/171
D515,516 S * 2/2006 Mayo D13/171

(57) **CLAIM**
The ornamental design for a wireless remote control, as shown and described.

DESCRIPTION

Wireless remote control
1.1 : Perspective
1.2 : Front
1.3 : Back
1.4 : Right
1.5 : Left
1.6 : Top
1.7 : Bottom
The broken lines, and regions surrounded on all sides by broken lines, depict portions of the wireless remote control that form no part of the claimed design.

1 Claim, 7 Drawing Sheets



(56)

References Cited

U.S. PATENT DOCUMENTS

D855,586	S	*	8/2019	Bang	D14/218
D857,635	S	*	8/2019	Prevoteau	D13/162
D868,036	S	*	11/2019	Sohn	D14/218
D869,463	S	*	12/2019	Gagne-Keats	D14/358
D877,149	S	*	3/2020	Johnston	D14/218
D892,750	S	*	8/2020	Dimberg	D13/174

OTHER PUBLICATIONS

Meet the smart hubs competing to control your home, publication date Jul. 9, 2014, [online] URL: <https://www.cnet.com/home/smart-home/smart-hubs/> (Year: 2014).*

Bond Smart Home Bridge Review, publication date Jul. 23, 2019, [online] URL: <https://digitized.house/bond-bridge-review/> (Year: 2019).*

Etersky Smart WiFi Dimmer Switch, publication date Mar. 14, 2020, [online] URL: <https://www.amazon.co.uk/Etersky-Stepless-Compatible-Control-Schedule/dp/B085WJNLC3> (Year: 2020).*

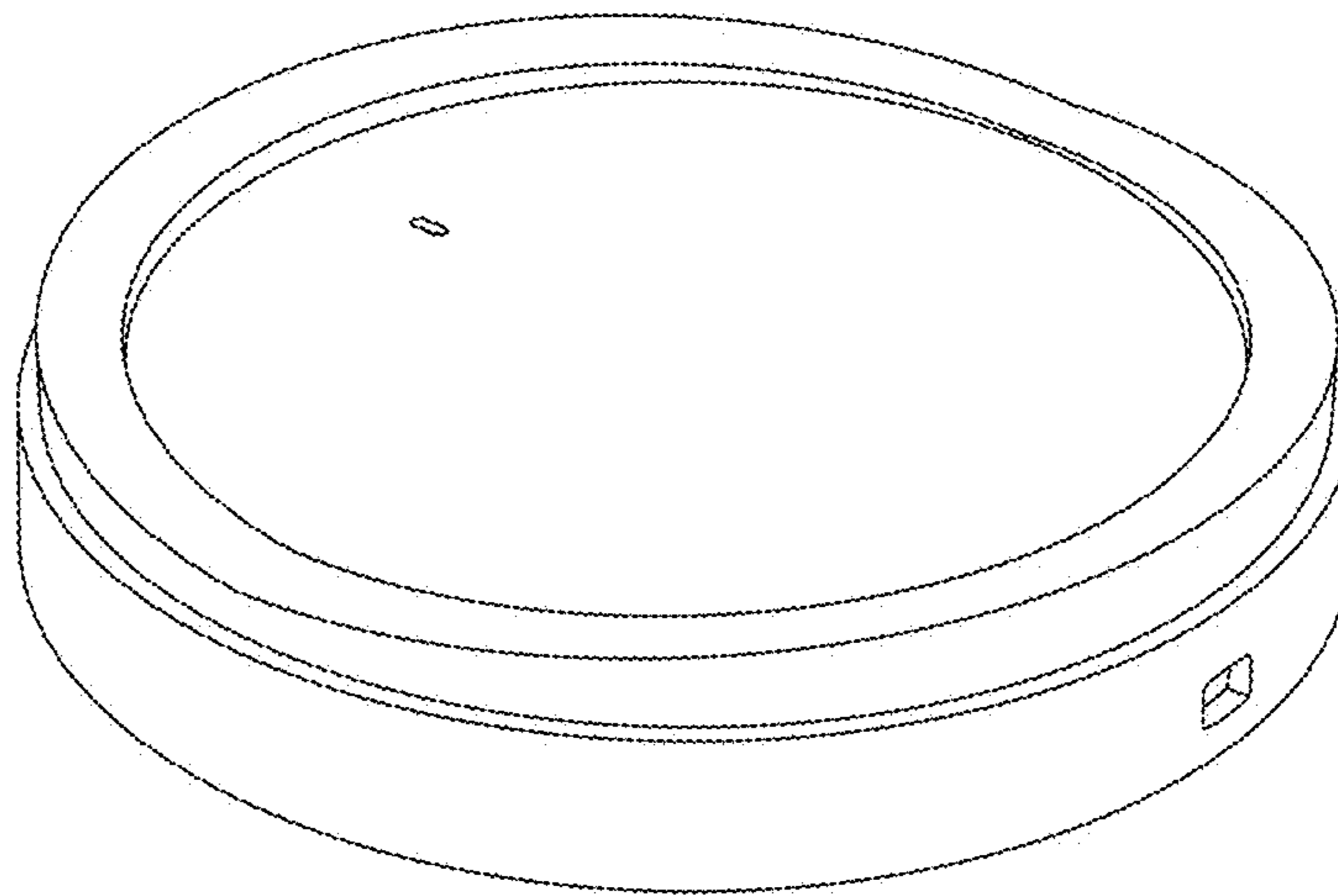
602 by Owon technology, publication date Mar. 27, 2020, [online] URL: <https://www.youtube.com/watch?v=5VwbW0iie2A> (Year: 2020).*

Enerj Smart Dimmer switch WiFi unboxing and complete setup, publication date Feb. 11, 2020, [online] URL: <https://www.youtube.com/watch?v=jXW11GOodsQ> (Year: 2020).*

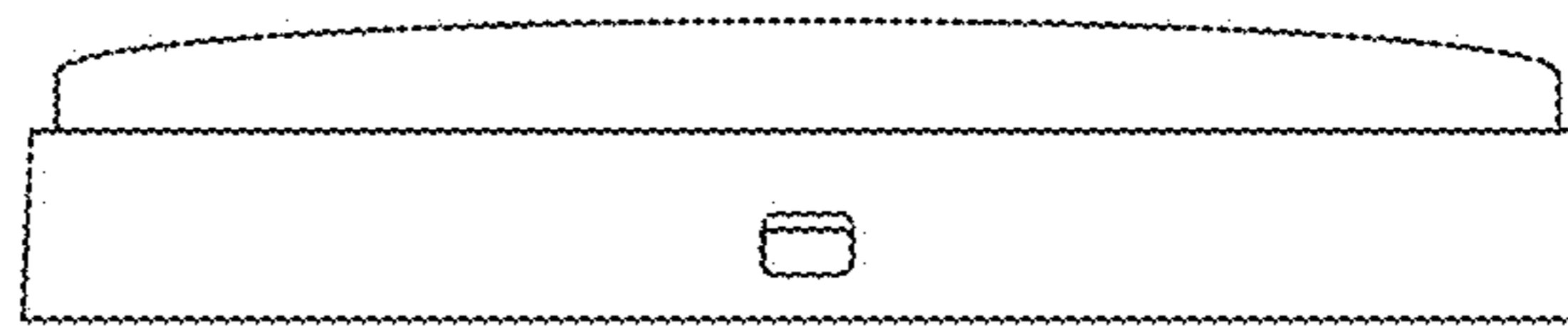
Somfy wall switch io, publication date Mar. 10, 2021, [online] URL: https://www.youtube.com/watch?v=xcODP_k2d7g (Year: 2021).*

* cited by examiner

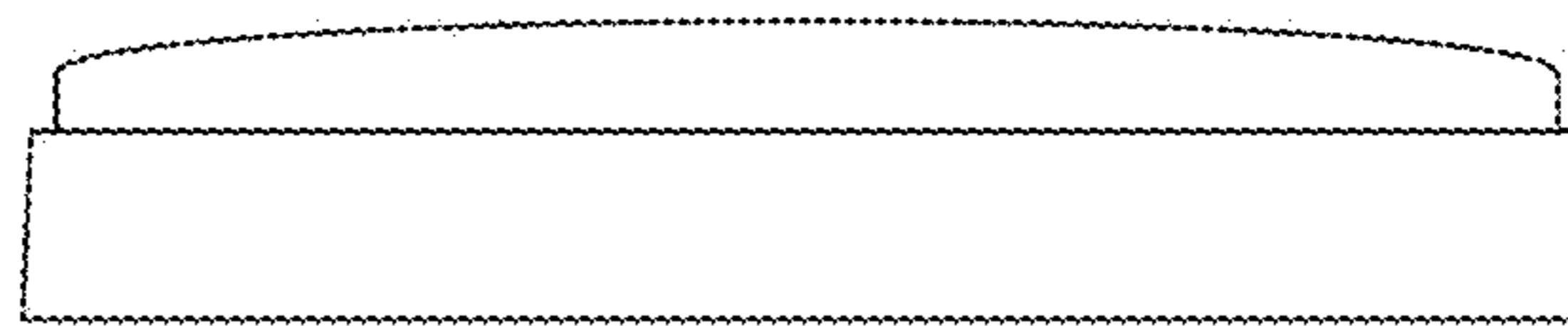
1.1



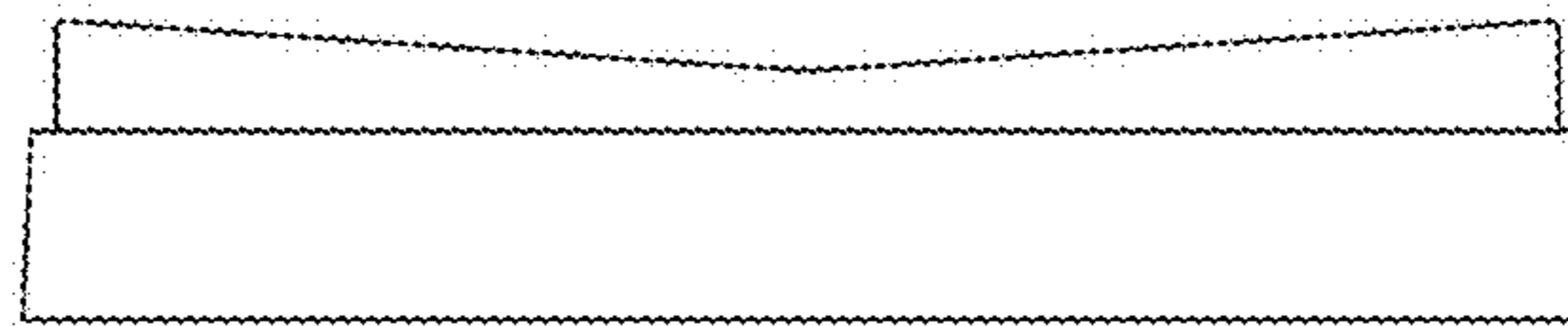
1.2



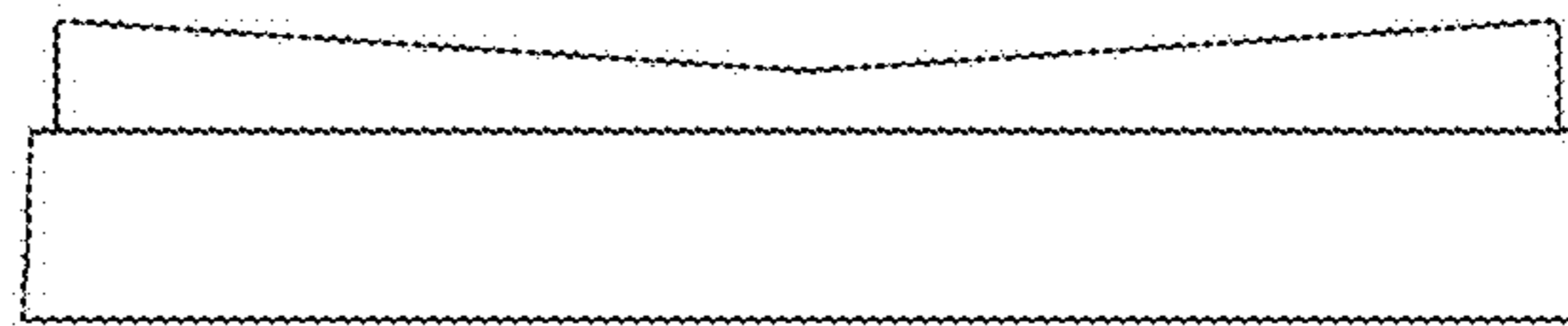
1.3



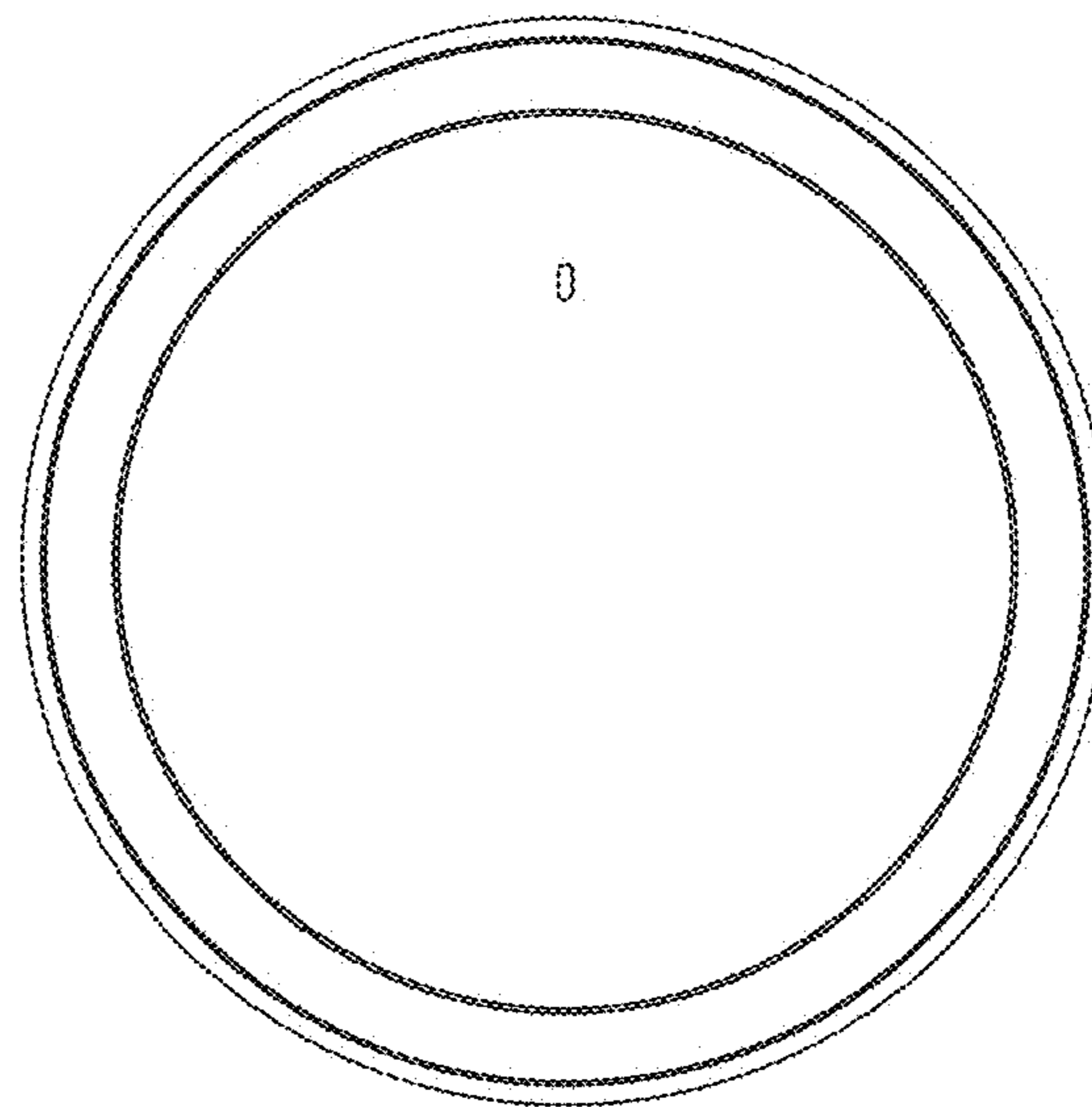
1.4



1.5



1.6



1.7

