



US00D959408S

(12) **United States Design Patent**
Han et al.

(10) **Patent No.:** **US D959,408 S**

(45) **Date of Patent:** **** Aug. 2, 2022**

(54) **ELECTRONIC DEVICE**

(71) Applicant: **Amazon Technologies, Inc.**, Seattle, WA (US)

(72) Inventors: **Sun Joo Han**, San Francisco, CA (US);
Giles David Matthew McWilliam, San Francisco, CA (US)

(73) Assignee: **Amazon Technologies, Inc.**, Seattle, WA (US)

(**) Term: **15 Years**

(21) Appl. No.: **29/679,687**

(22) Filed: **Feb. 8, 2019**

Related U.S. Application Data

(63) Continuation-in-part of application No. 29/650,576, filed on Jun. 7, 2018, now Pat. No. Des. 931,834.

(51) **LOC (13) Cl.** **14-01**

(52) **U.S. Cl.**
USPC **D14/216**

(58) **Field of Classification Search**
USPC D14/167, 168, 170–172, 188, 194–196,
D14/204, 209.1, 210–216, 219, 221, 222,
D14/224, 239, 496

(Continued)

(56) **References Cited**

U.S. PATENT DOCUMENTS

D83,282 S 2/1931 Smith
D671,528 S 11/2012 Fathollahi

(Continued)

OTHER PUBLICATIONS

Canadian Office Action dated Mar. 5, 2020 for Canadian Patent Application No. 184868, a counterpart of U.S. Appl. No. 29/650,576, 2 pages.

(Continued)

Primary Examiner — Keli L Hill

(74) *Attorney, Agent, or Firm* — Lee & Hayes, P.C.

(57) **CLAIM**

The ornamental design for an electronic device, as shown and described.

DESCRIPTION

FIG. 1 is a top perspective view of a first embodiment of the electronic device. The crosshatched pattern shown on the views of the first embodiment represents a fabric (e.g., a woven fabric), and is understood to be distributed uniformly over the surface of the claimed design upon which the pattern occurs;

FIG. 2 is a bottom perspective view thereof;

FIG. 3 is a front view thereof;

FIG. 4 is a back view thereof;

FIG. 5 is a left-side view thereof;

FIG. 6 is a right-side view thereof;

FIG. 7 is a top view thereof;

FIG. 8 is a bottom view thereof;

FIG. 9 is a top perspective view of a second embodiment of the electronic device;

FIG. 10 is a bottom perspective view thereof;

FIG. 11 is a front view thereof;

FIG. 12 is a back view thereof;

FIG. 13 is a left-side view thereof;

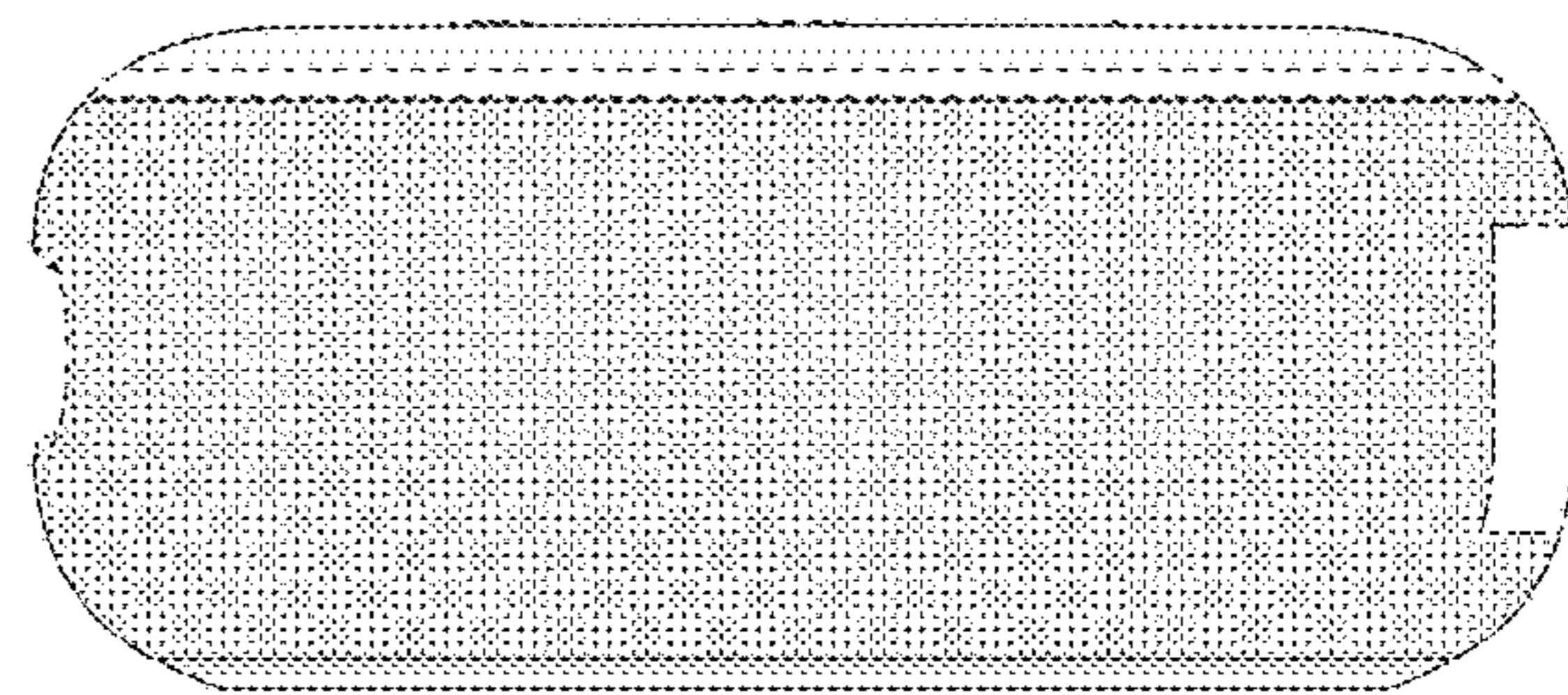
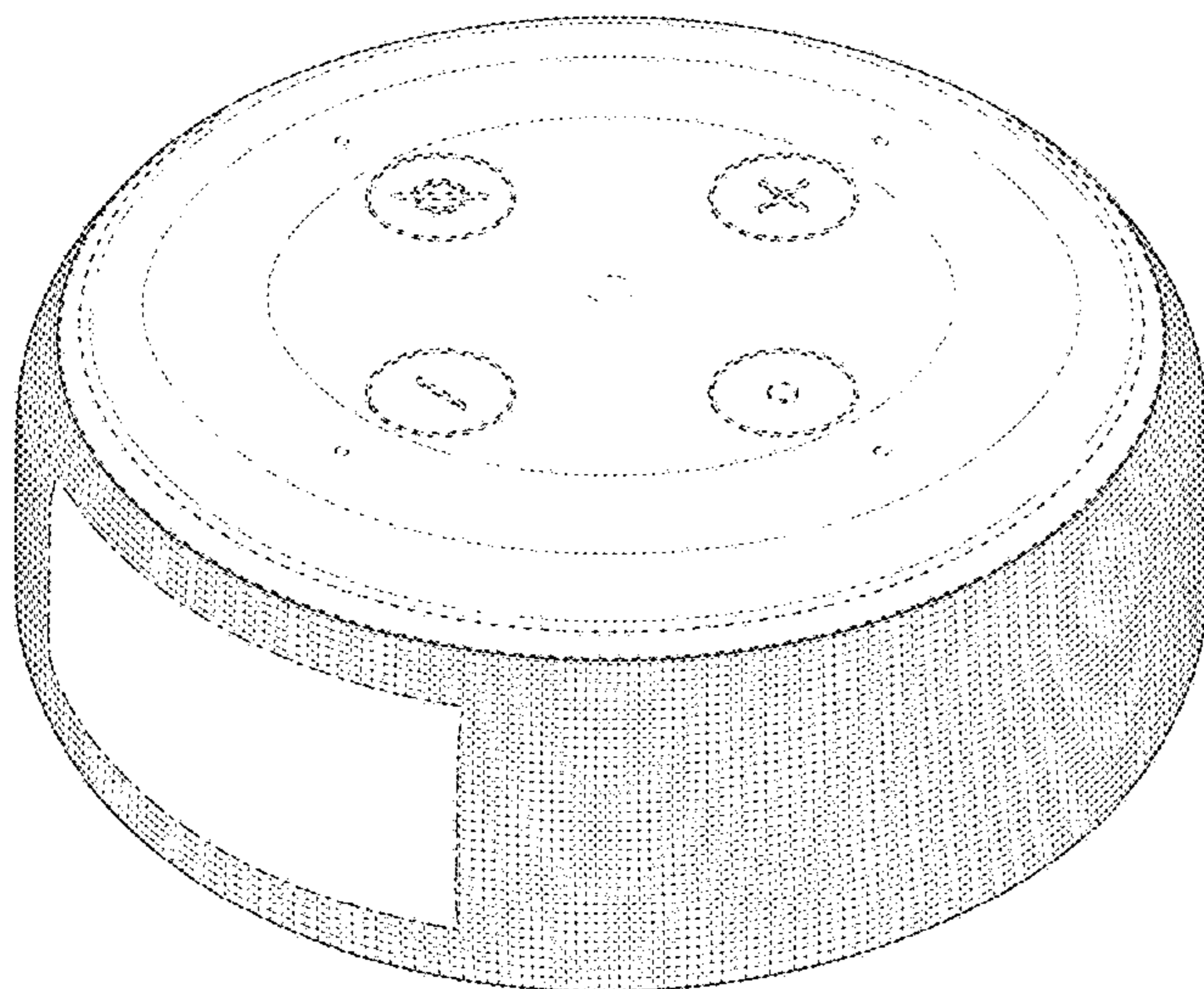
FIG. 14 is a right-side view thereof;

FIG. 15 is a top view thereof; and,

FIG. 16 is a bottom view thereof.

The dashed broken lines depict portions of the electronic device that form no part of the claimed design. The dot-dashed broken lines represent boundaries of the claimed electronic device and form no part of the claimed design. In some instances, the disclaimed area on the front surface of the electronic device is a display (e.g., ambient display) area.

1 Claim, 16 Drawing Sheets



(58) **Field of Classification Search**

CPC B60R 11/0217; G06F 1/1688; G10K 9/22;
 G10K 11/004; H03F 1/327; H04M 1/03;
 H04M 1/035; H04N 5/642; H04N
 21/4852; H04R 1/02; H04R 1/06; H04R
 1/021; H04R 1/025; H04R 1/026; H04R
 1/028; H04R 1/105; H04R 1/323; H04R
 1/403; H04R 1/2803; H04R 1/2834;
 H04R 5/02; H04R 7/20; H04R 9/06;
 H04R 9/025; H04R 2201/021; H04R
 2400/00; H04R 2400/07; H04R 2499/11;
 H04R 2499/13; H04R 2499/15; H04S
 3/00; H04S 7/30

See application file for complete search history.

(56) **References Cited**

U.S. PATENT DOCUMENTS

D729,205 S	5/2015	Shu et al.
D756,956 S	5/2016	Van Den Nieuwenhuizen et al.
D826,205 S	8/2018	Langhammer et al.
D829,684 S	10/2018	Hardi

D841,630 S	2/2019	Mecchella et al.	
D848,398 S	5/2019	Huang	
D900,812 S	11/2020	Friedman et al.	
D901,441 S	11/2020	Huang et al.	
D906,280 S	12/2020	Matarese et al.	
D906,290 S	12/2020	Kang et al.	
D908,660 S	1/2021	Xi	
D909,333 S	2/2021	Wu	
D916,051 S	4/2021	Wang	
D918,861 S *	5/2021	Chen	D14/206
D930,613 S *	9/2021	Han	D14/216
D931,834 S *	9/2021	Han	D14/216
2019/0394547 A1	12/2019	Lemons et al.	

OTHER PUBLICATIONS

Indian Office Action dated Jan. 9, 2019 for Indian Patent Applica-
 tion No. 312774-001, a counterpart of U.S. Appl. No. 29/650,576,
 2 pages.

Canadian Office Action dated Dec. 3, 2019, for Canadian Design
 Application No. 184868, a counterpart foreign applicatin of Design
 U.S. Appl. No. 29/650,576, 3 pages.

* cited by examiner

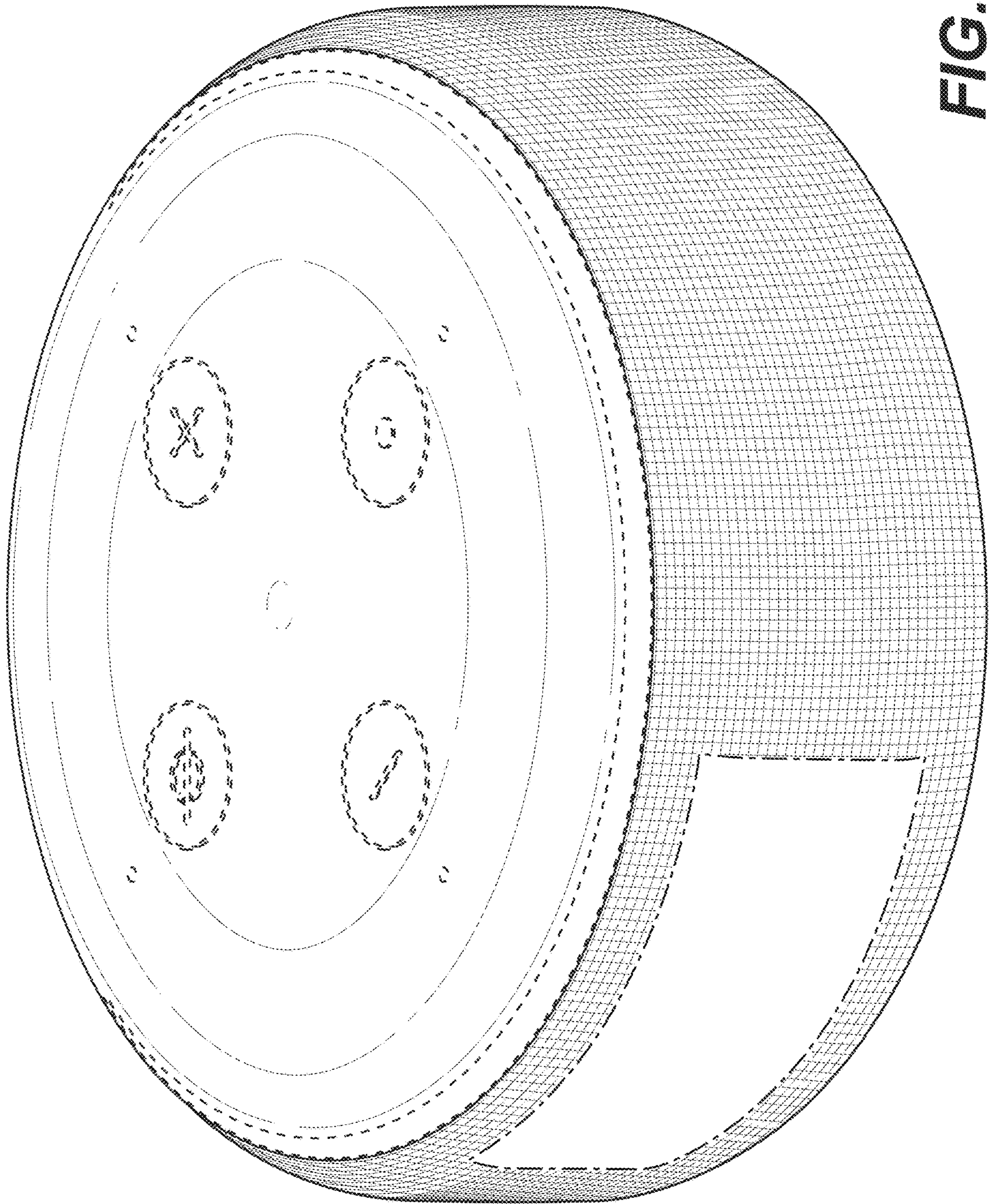


FIG. 1

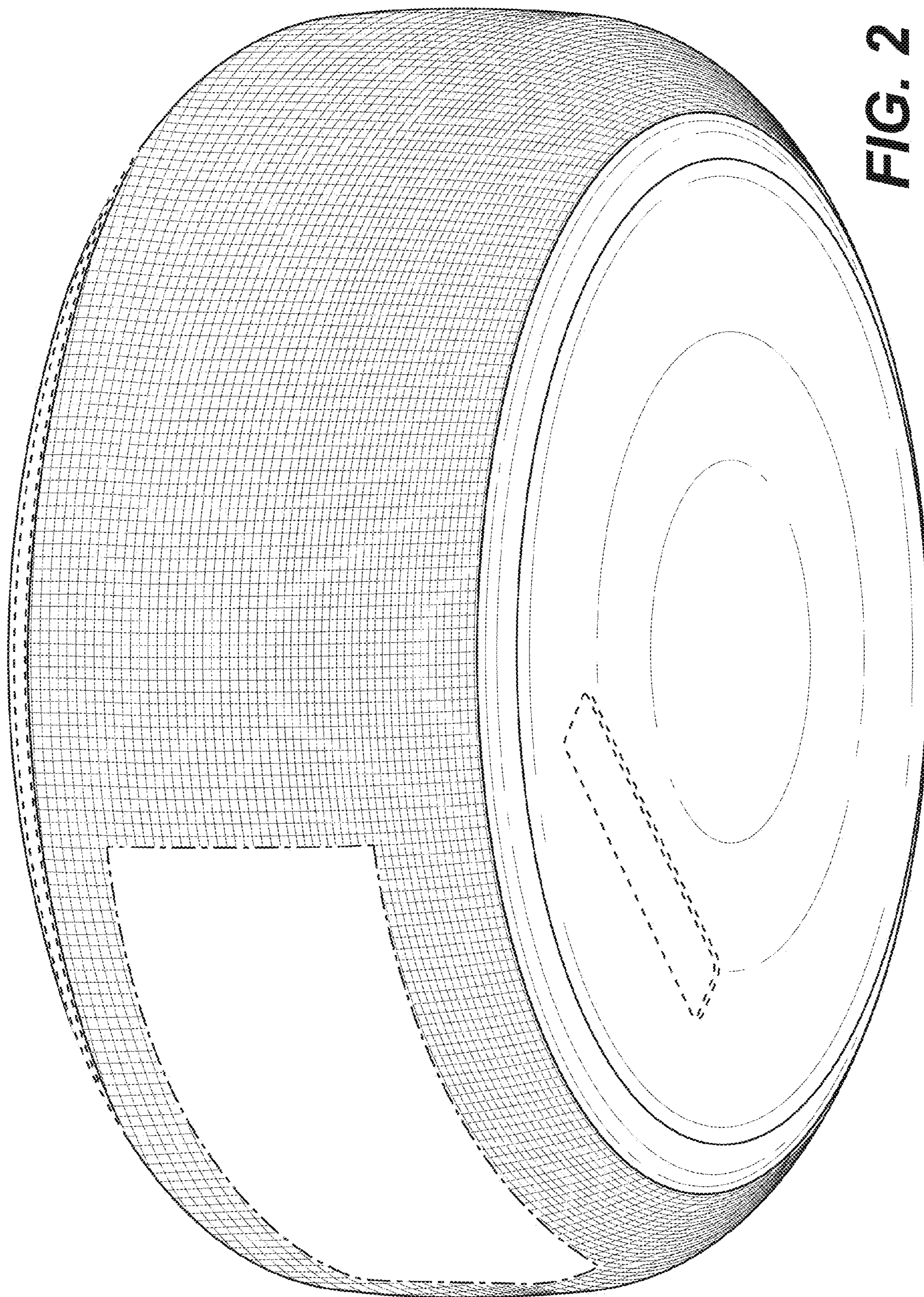


FIG. 2

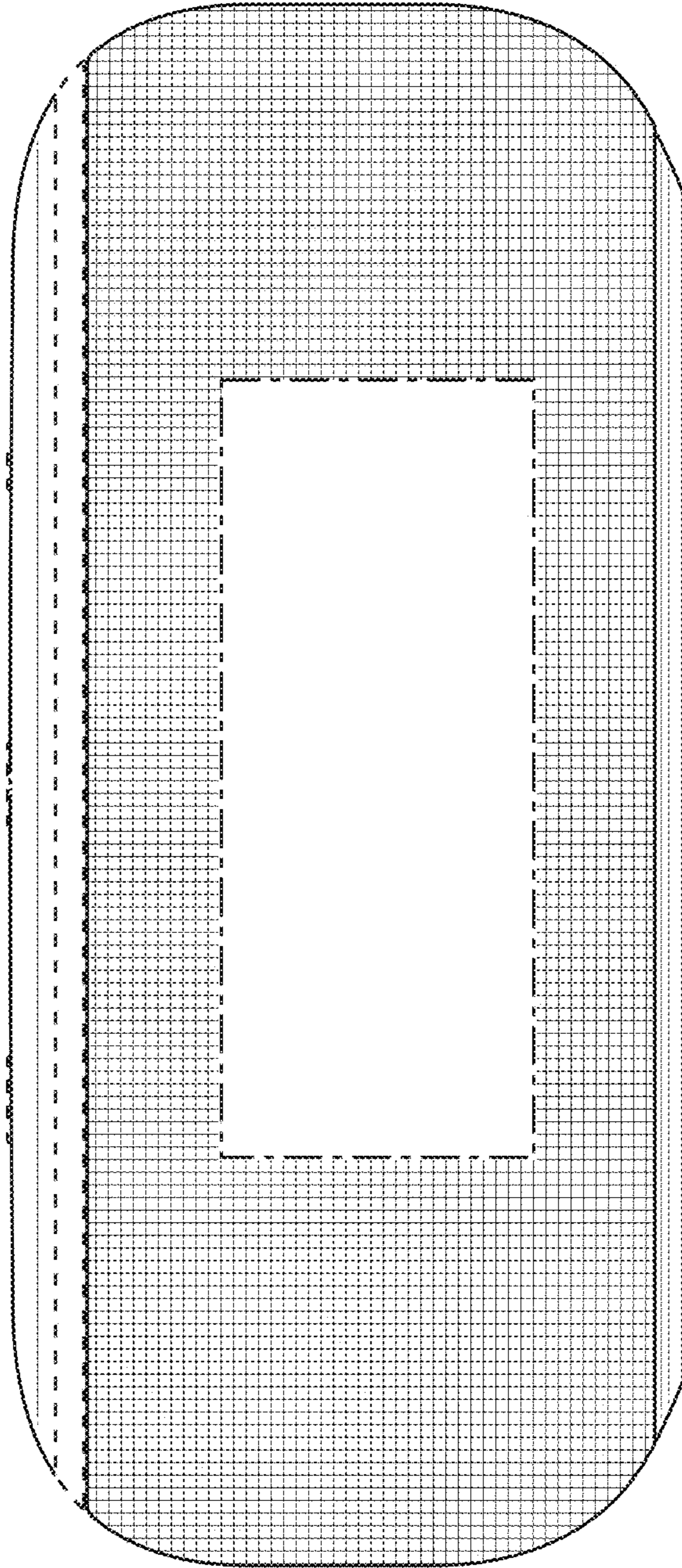


FIG. 3

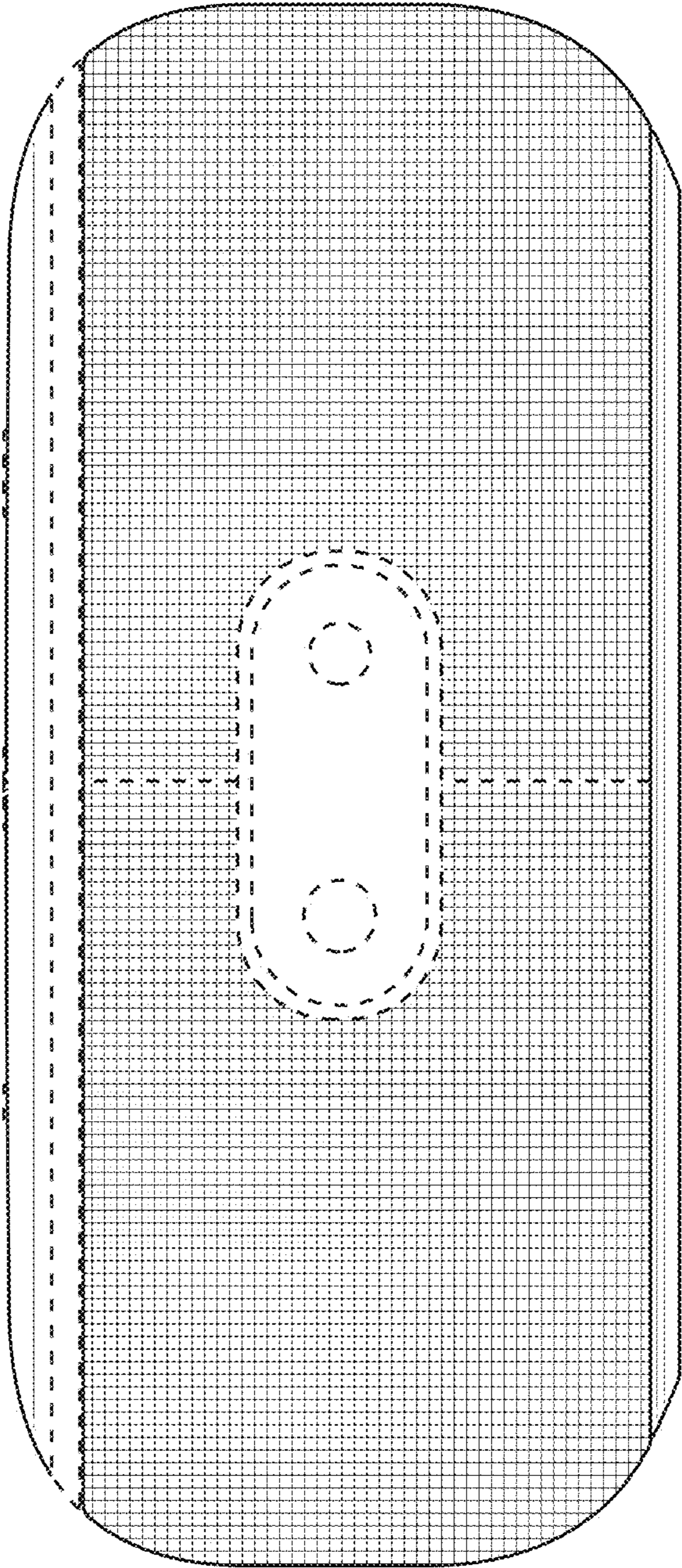


FIG. 4

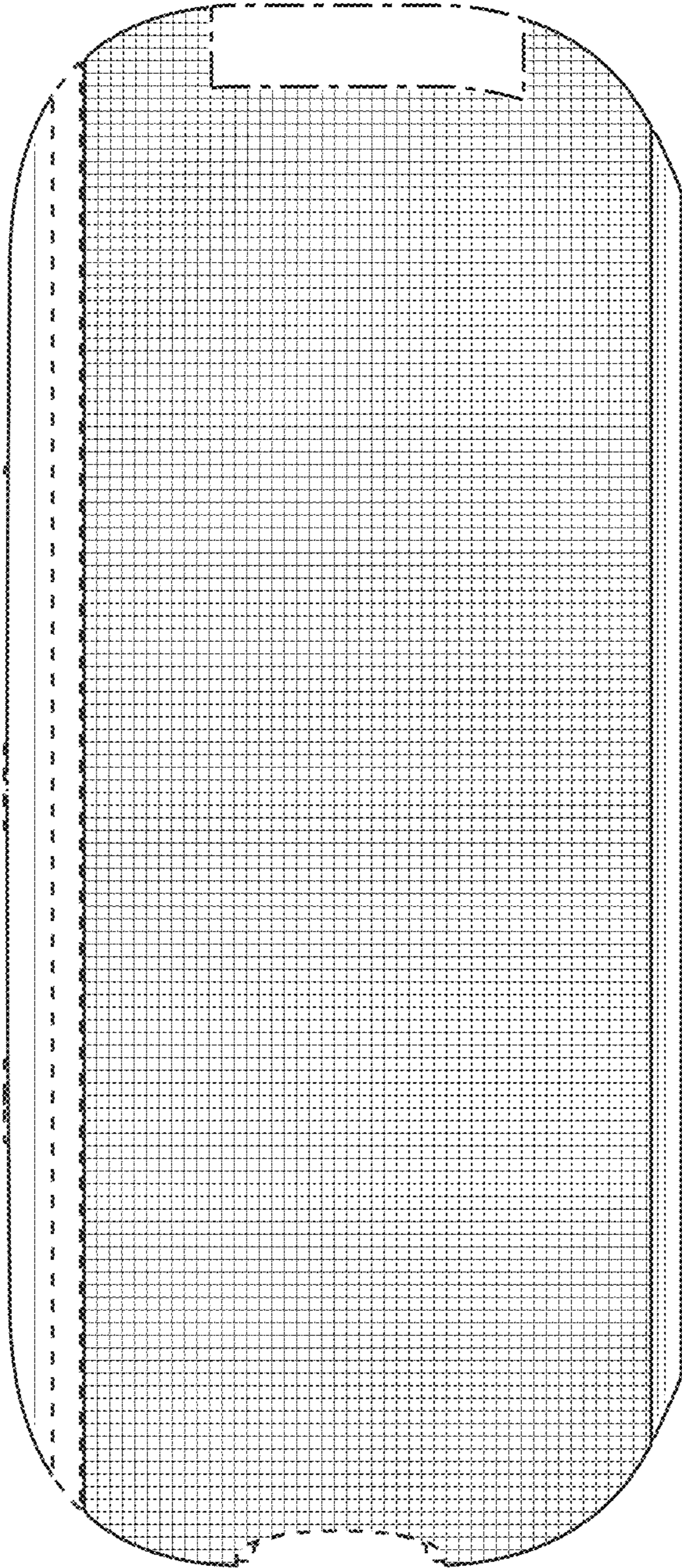


FIG. 5

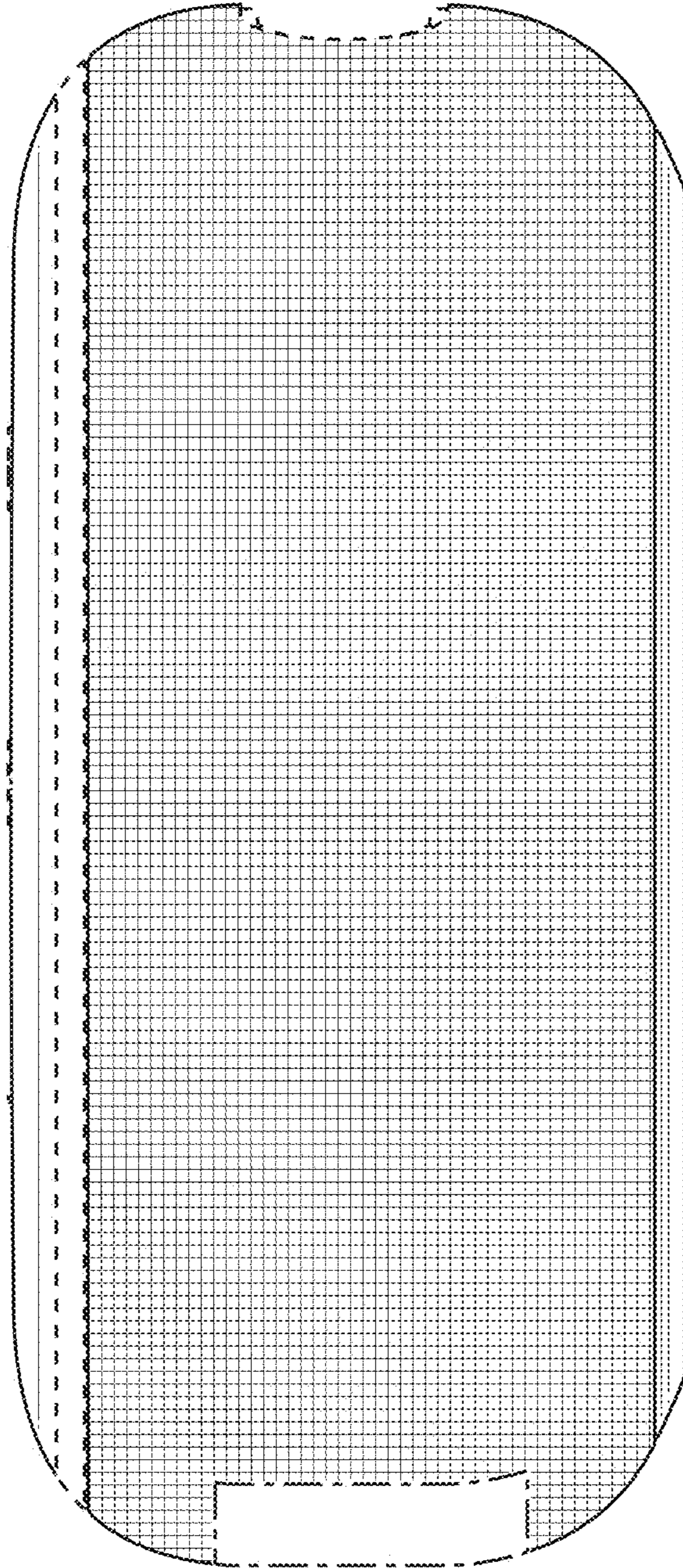


FIG. 6

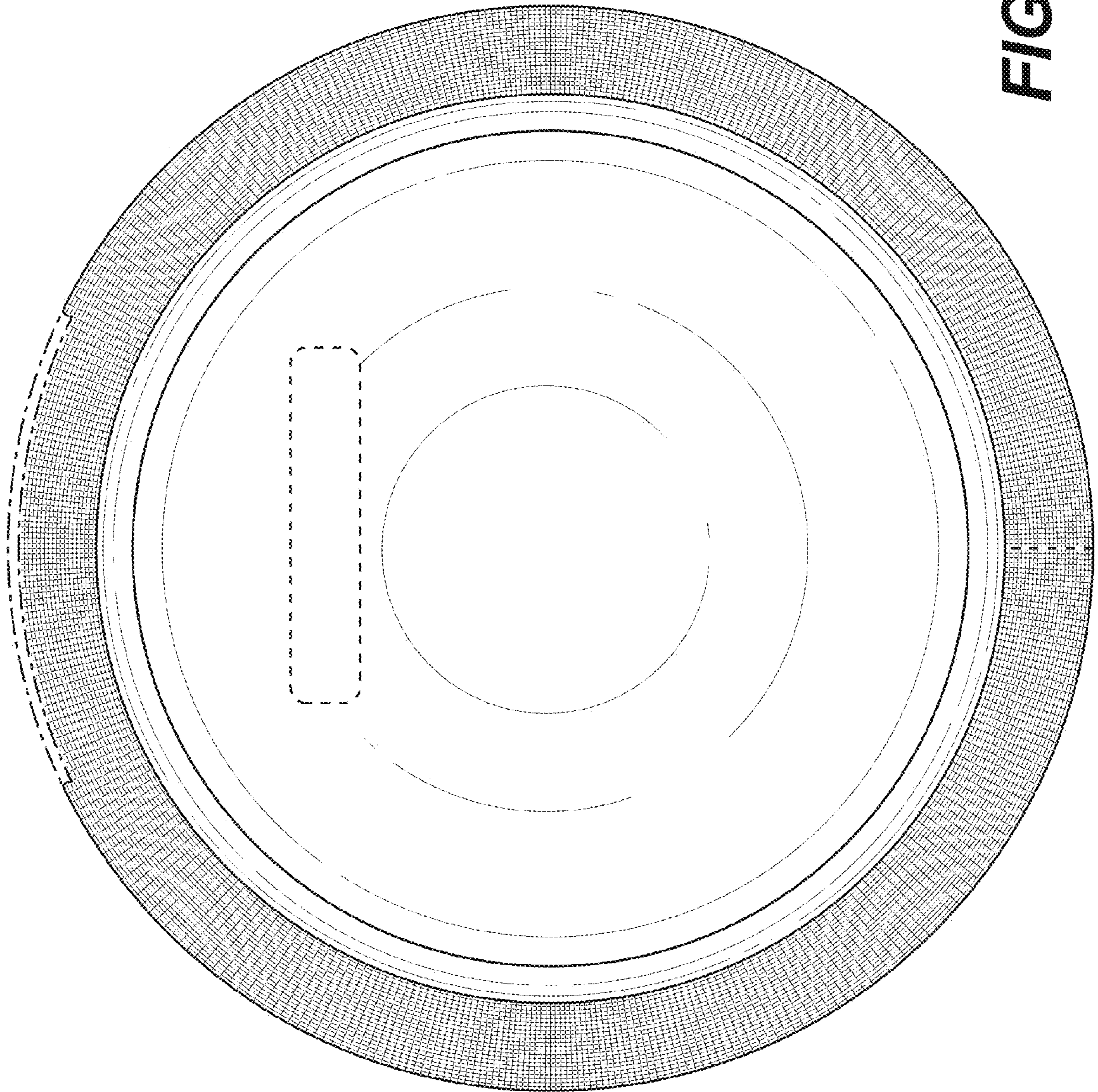


FIG. 8

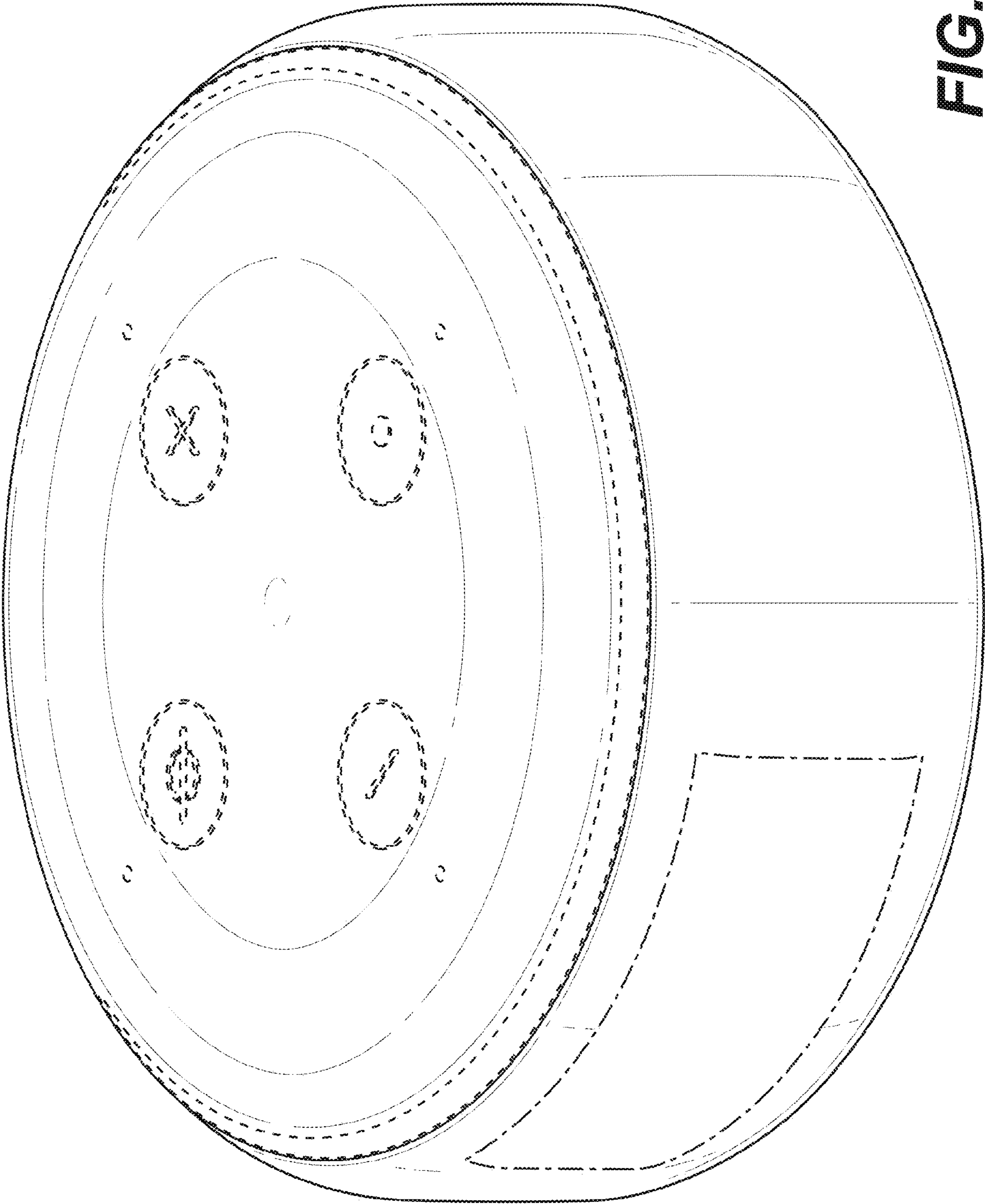


FIG. 9

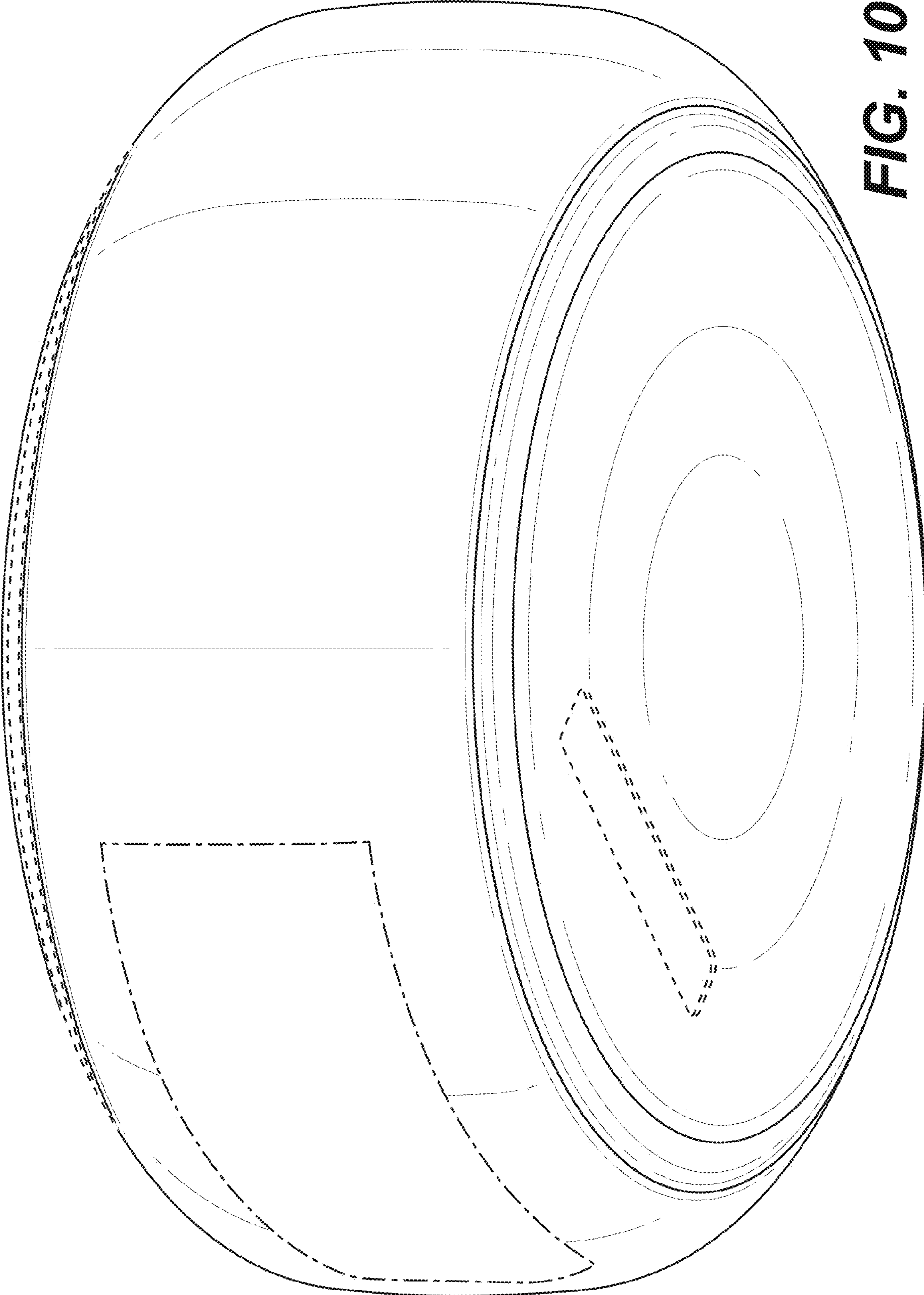


FIG. 10

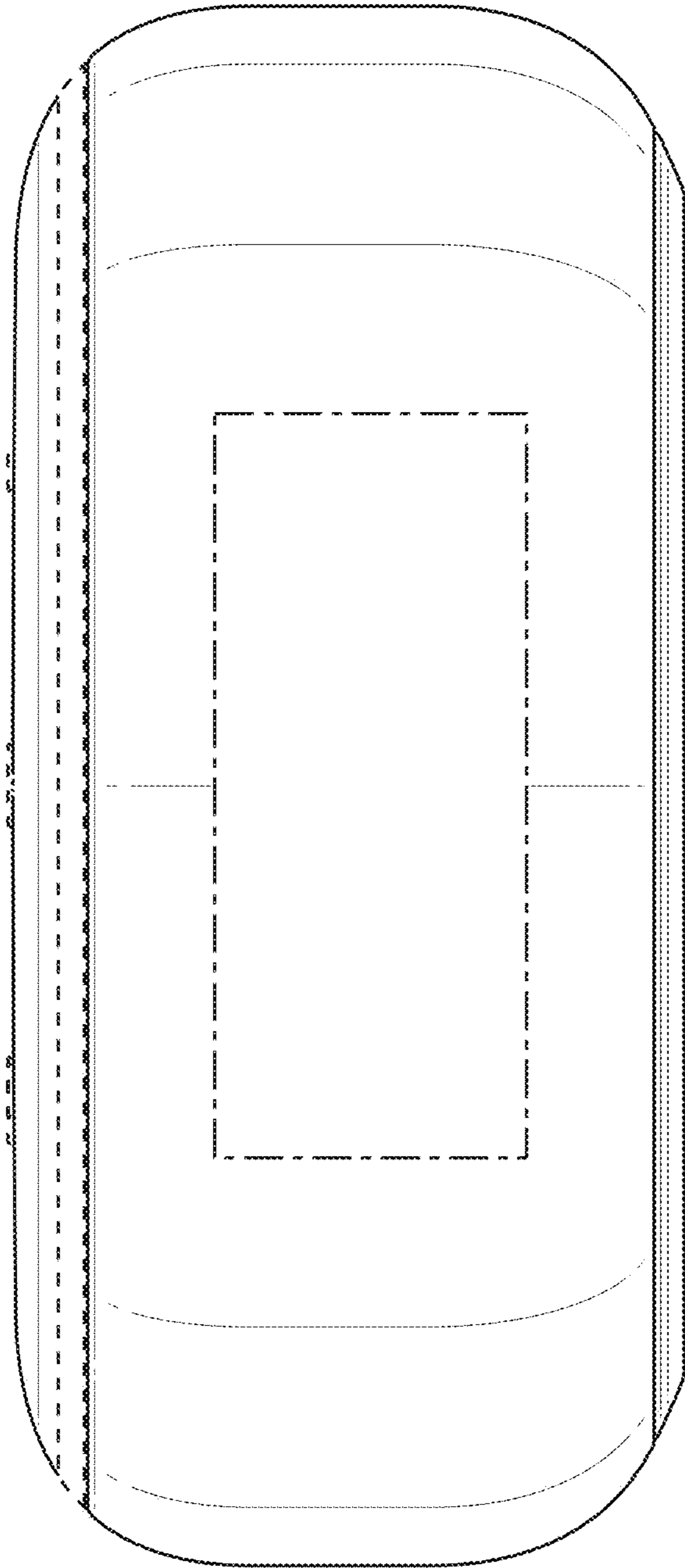


FIG. 11

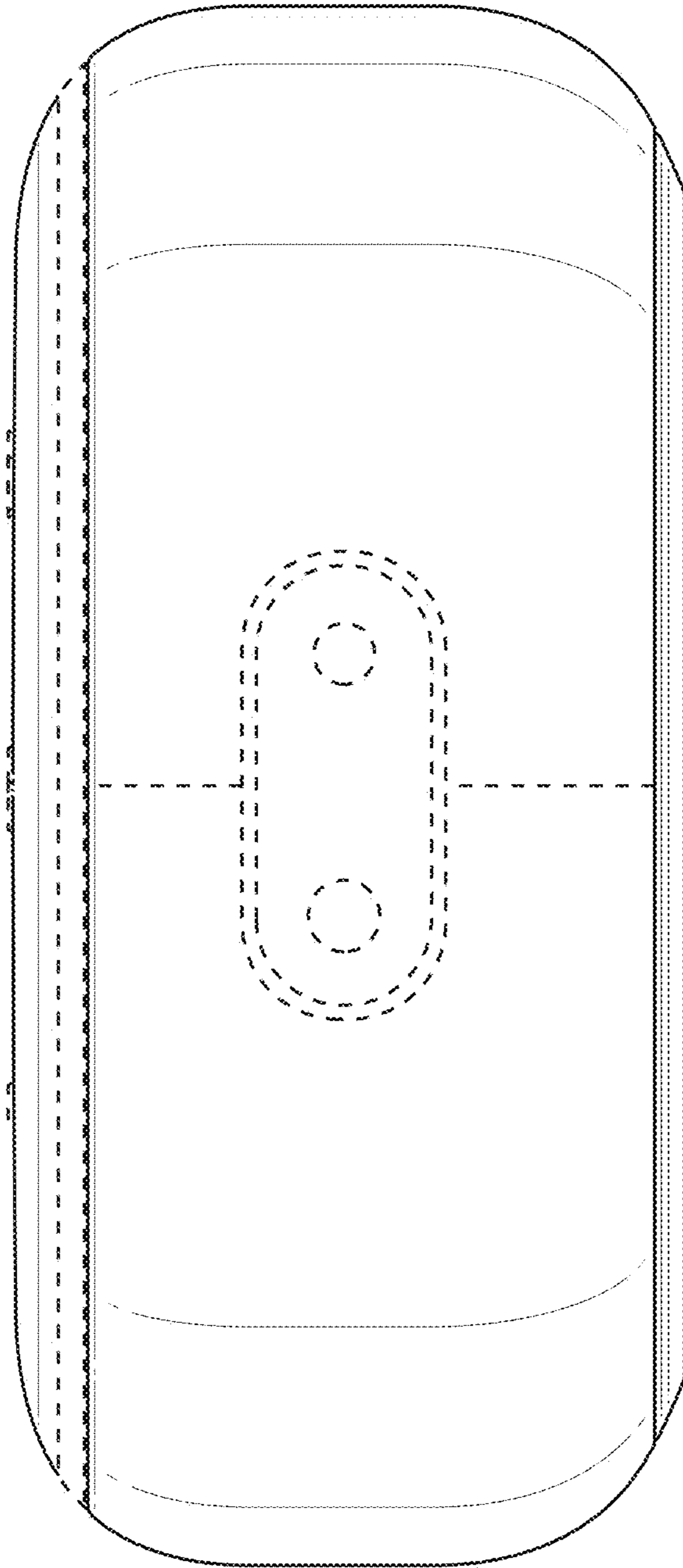


FIG. 12

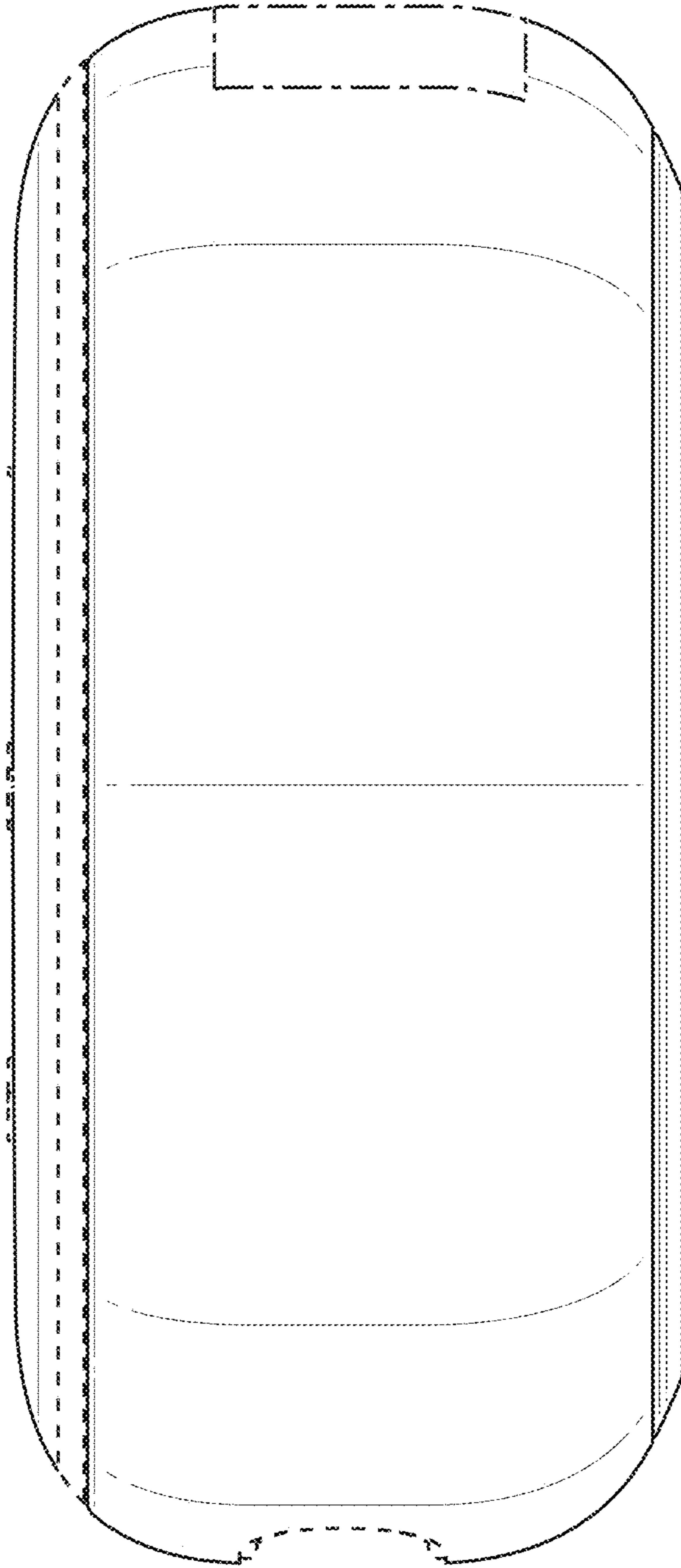


FIG. 13

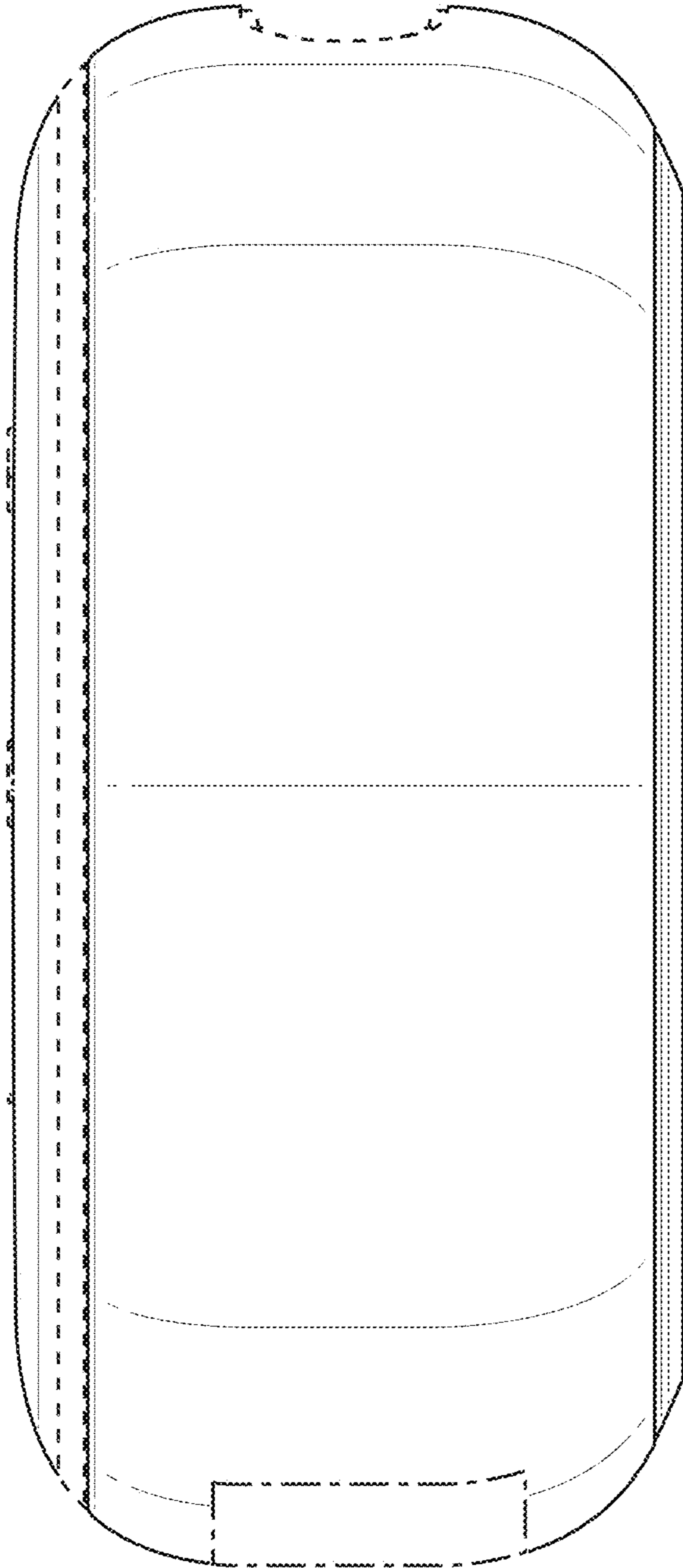


FIG. 14

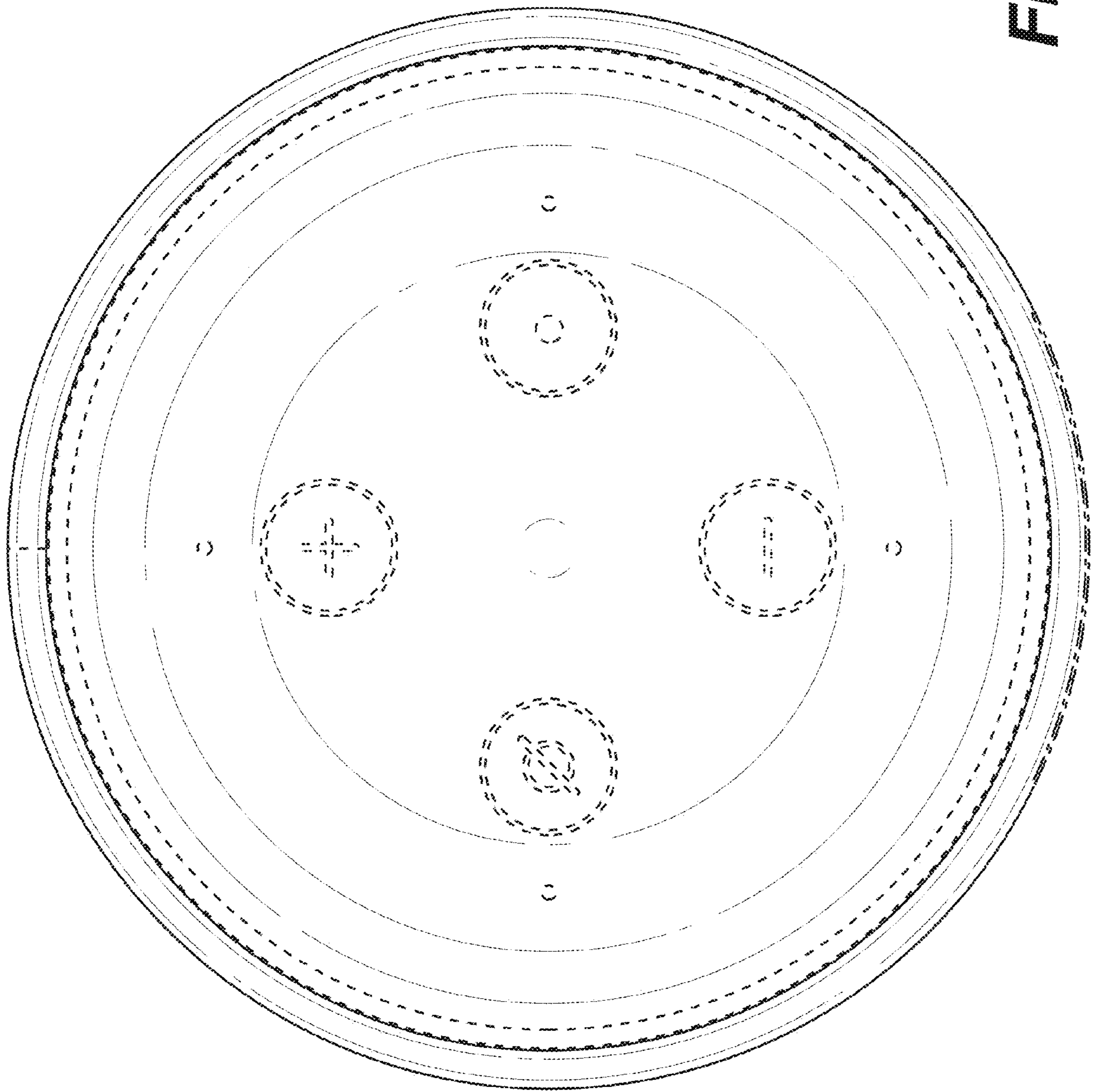


FIG. 15

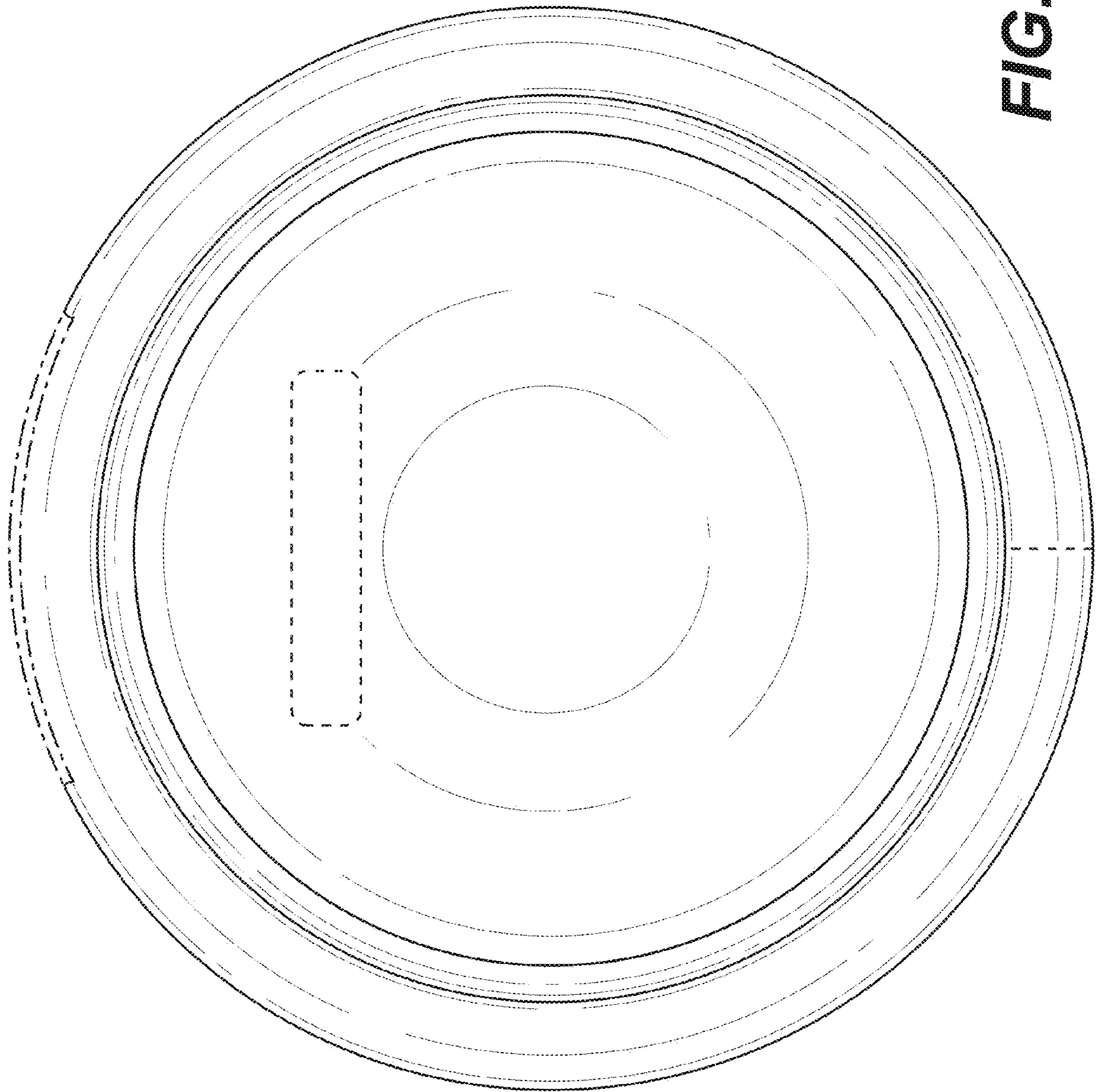


FIG. 16