



US00D959402S

(12) **United States Design Patent** (10) **Patent No.:** **US D959,402 S**
Li (45) **Date of Patent:** **** Aug. 2, 2022**

(54) **HAND CRANK RADIO**
(71) Applicant: **Hongxiang Li**, Guangdong (CN)
(72) Inventor: **Hongxiang Li**, Guangdong (CN)
(**) Term: **15 Years**
(21) Appl. No.: **29/713,595**

D863,251 S * 10/2019 Crane D14/194
D870,702 S * 12/2019 Xiao D14/214
D903,628 S * 12/2020 Zeng D14/204

FOREIGN PATENT DOCUMENTS

CN 3660092 * 6/2007
CN 304657616 * 6/2018
CN 306892964 * 10/2021
EM 007002696-0001 * 10/2019

(22) Filed: **Nov. 18, 2019**
(51) **LOC (13) Cl.** **14-03**
(52) **U.S. Cl.**
USPC **D14/188**
(58) **Field of Classification Search**
USPC D14/125–126, 155–159, 160–173,
D14/187–188, 191–198, 203.1–203.8,
D14/204–216, 217–222, 225–229, 445,
D14/496, 500; D16/200–208, 211,
D16/216–219, 221, 225, 230, 237
CPC H04R 1/02; H04R 1/021; H04R 1/025;
H04R 1/026; H04R 1/028; H04R 1/06;
H04R 1/105; H04R 1/323; H04R 1/403;
H04R 1/2803; H04R 1/2834
See application file for complete search history.

OTHER PUBLICATIONS

Greadio Am Fm Portable Radio, date first available: Aug. 21, 2019, [retrieved Dec. 14, 2021], Retrieved from Internet, URL: <<https://www.amazon.com/Portable-Transistor-Earphone-Operated-Batteries/dp/B07WNZXR5Y>> (Year: 2019).*

(Continued)

Primary Examiner — Barbara Fox
Assistant Examiner — Aram Kwon

(57) **CLAIM**

The ornamental design for a hand crank radio, as shown and described.

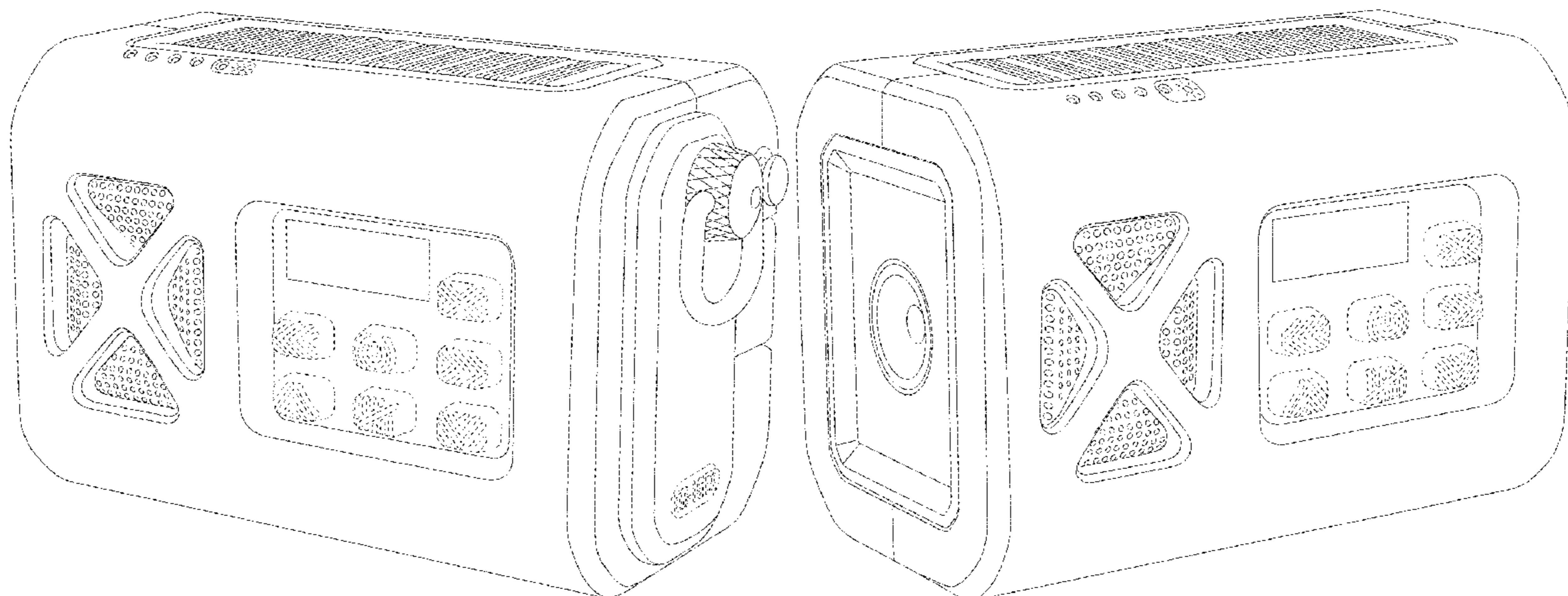
DESCRIPTION

FIG. 1 is a perspective view of a hand crank radio showing my new design;
FIG. 2 is a front elevational view thereof;
FIG. 3 is a rear elevational view thereof;
FIG. 4 is a left side elevational view thereof;
FIG. 5 is a right side elevational view thereof;
FIG. 6 is a top plan view thereof;
FIG. 7 is a bottom plan view thereof; and,
FIG. 8 is another perspective view thereof.
The broken lines are for the purpose of illustrating portions of the hand crank radio that form no part of the claimed design.

(56) **References Cited**
U.S. PATENT DOCUMENTS

D275,671 S * 9/1984 van de Ven D14/196
D275,672 S * 9/1984 van de Ven D14/196
D277,099 S * 1/1985 Aoijs D14/194
D278,906 S * 5/1985 Nakamura D14/194
D430,138 S * 8/2000 Ben-Moshe D14/196
D452,228 S * 12/2001 Tanaka D14/196
D513,246 S * 12/2005 Yim D14/168
D523,838 S * 6/2006 Lee D14/168
D552,594 S * 10/2007 Bhavnani D14/196
D658,628 S * 5/2012 Hahner D14/196
D691,114 S * 10/2013 Manz D14/207

1 Claim, 8 Drawing Sheets



(56)

References Cited

OTHER PUBLICATIONS

Midland—ER310, Emergency Crank Weather AM/FM Radio, date first available: Sep. 23, 2015, [retrieved Dec. 14, 2021], Retrieved from Internet, URL: <<https://www.amazon.com/dp/B015QIC1PW/?tag=thewire06-20&linkCode=xm2&ascsubtag=AwEAAAAAAAAAful&th=1>>(Year: 2015).*

Prunus J15 Portable Radio, date first available: Feb. 21, 2021, [retrieved Dec. 14, 2021], Retrieved from Internet, URL: <https://www.amazon.com/dp/B0986TQFLC/ref=sspa_dk_detail_4?psc=1&pd_rd_i=B0986TQFLC&pd_rd_w=RWgF5&pf_rd_p=9fd3ea7c-b77c-42ac-b4%E2%80%A6> (Year: 2021).*

RunningSnail Portable AM FM SW Radio, date first available: Jan. 12, 2021, [retrieved Dec. 14, 2021], Retrieved from Internet, URL: < https://www.amazon.com/Newest%E3%80%91RunningSnail-Batteries-Transistor-Excellent-Reception/dp/B08SQMRBMJ/ref=pd_sbs_48/134-6168437-2647347%E2%80%A6> (Year: 2021).*

* cited by examiner

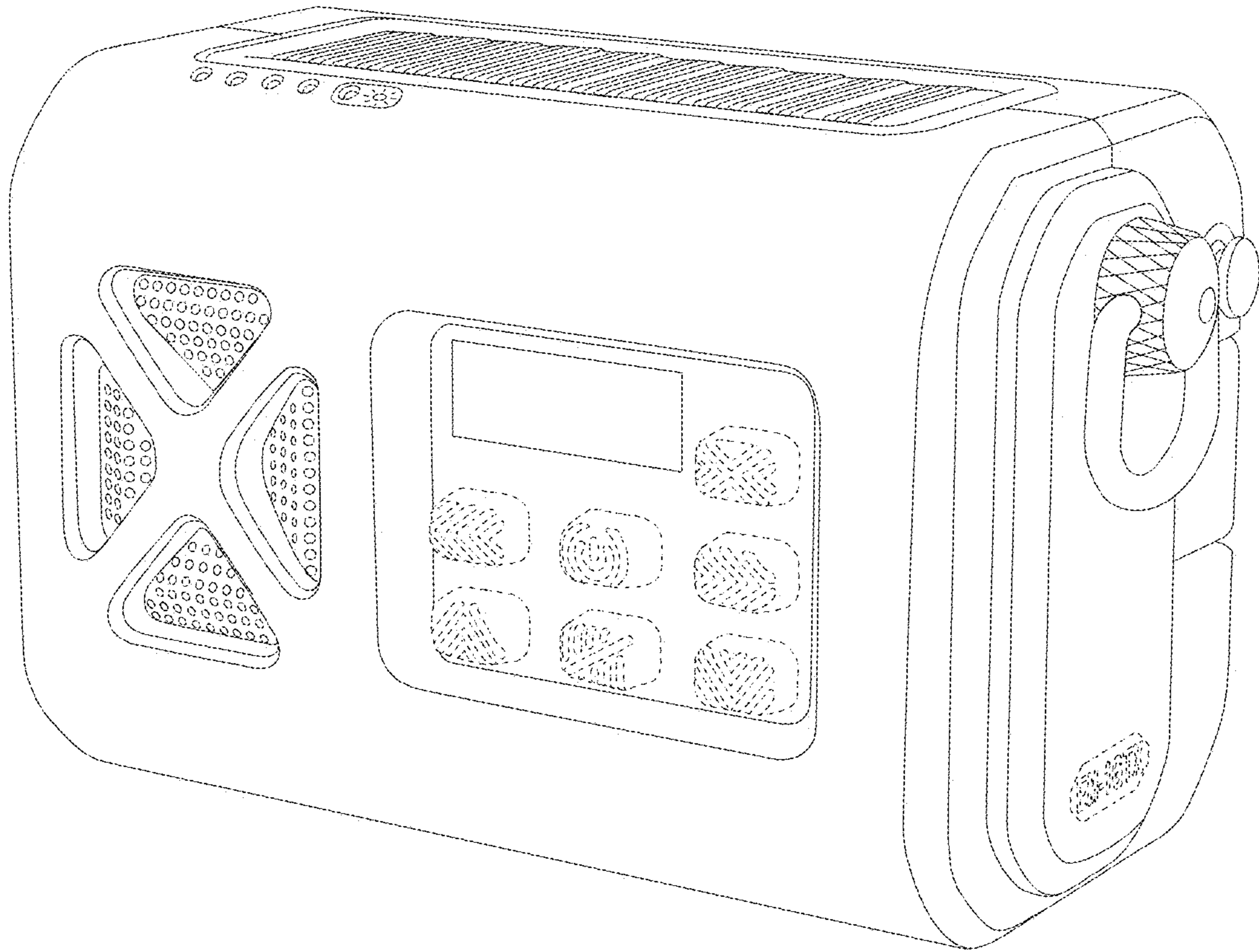


FIG.1

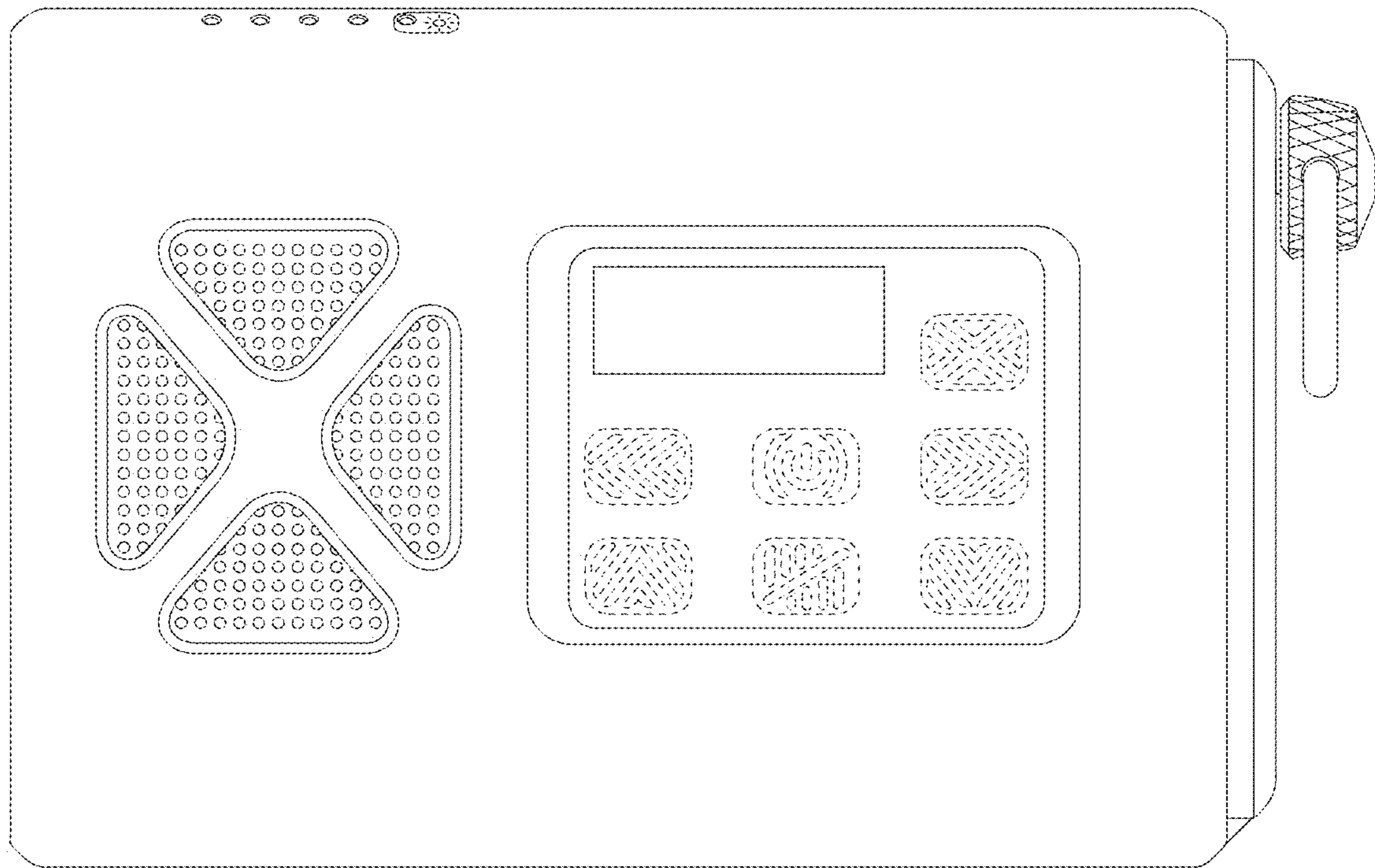


FIG. 2

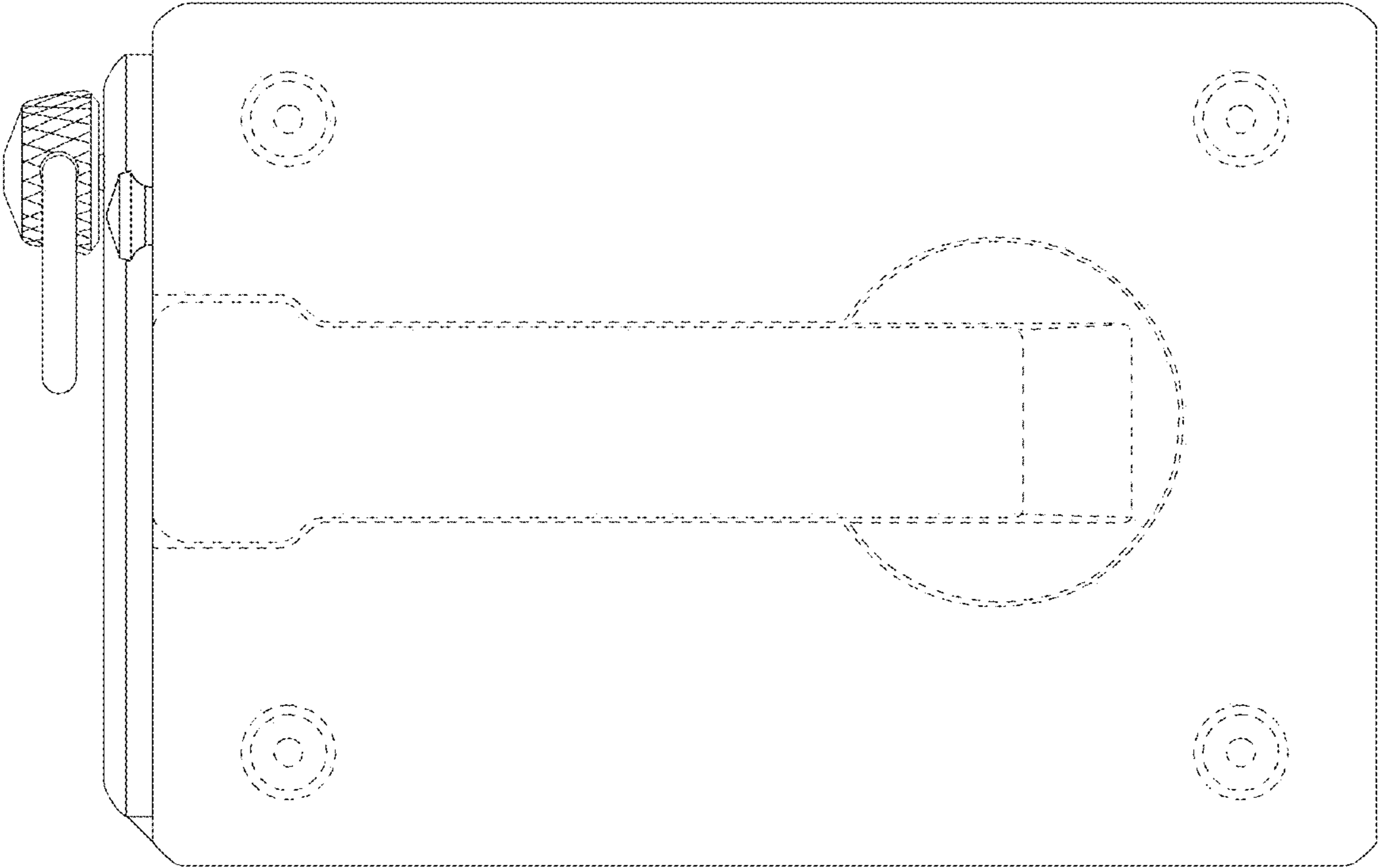


FIG.3

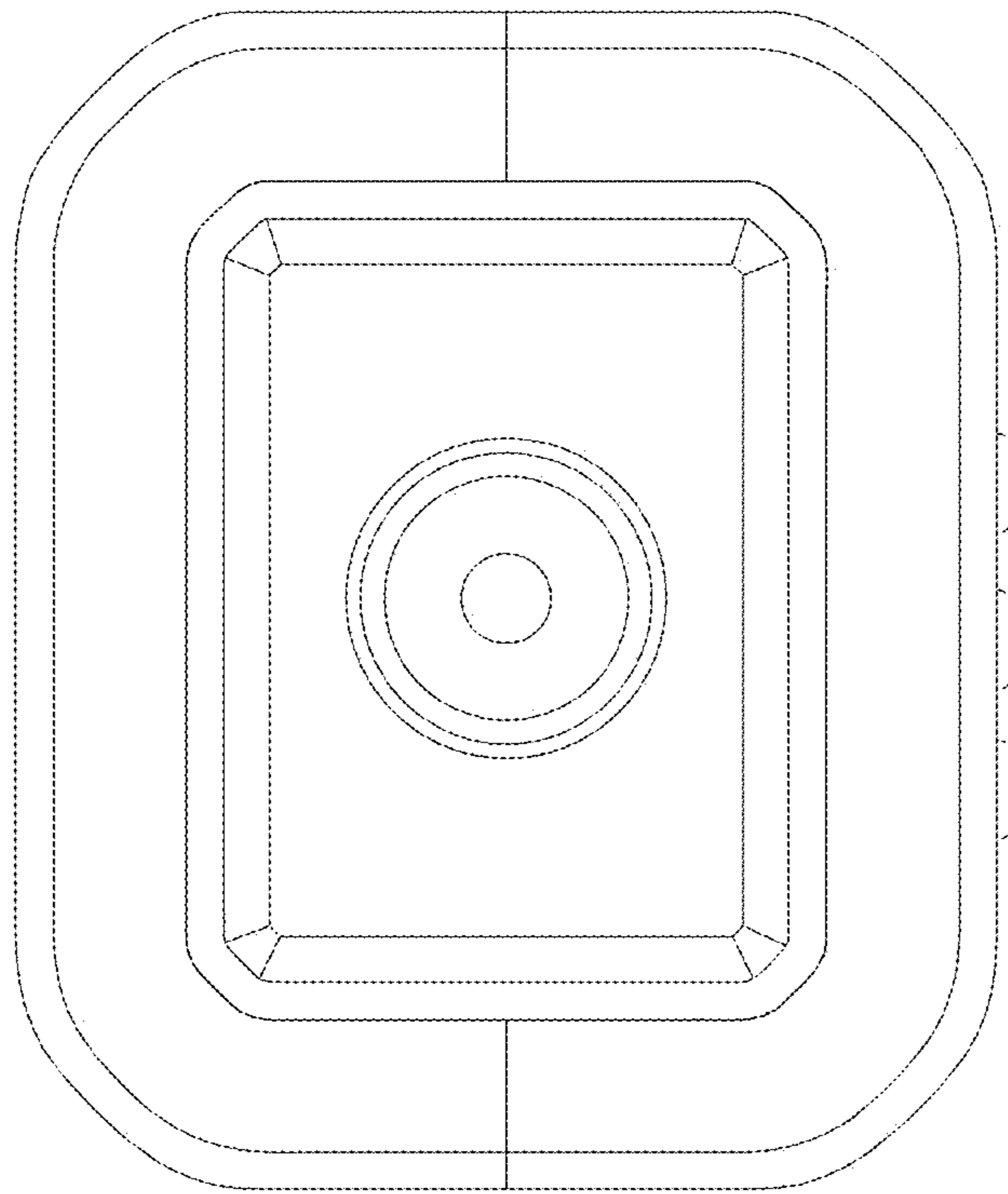


FIG.4

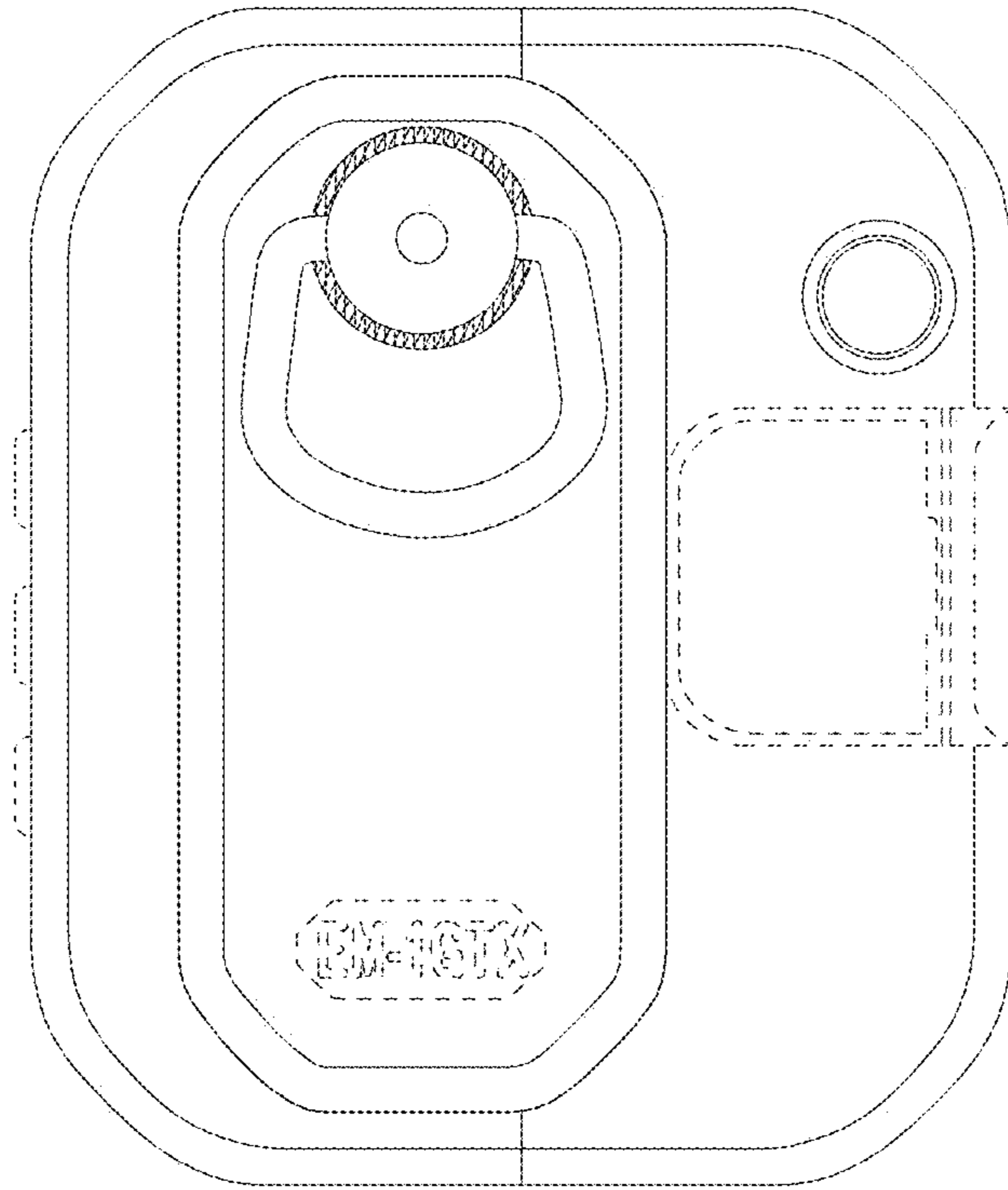


FIG. 5

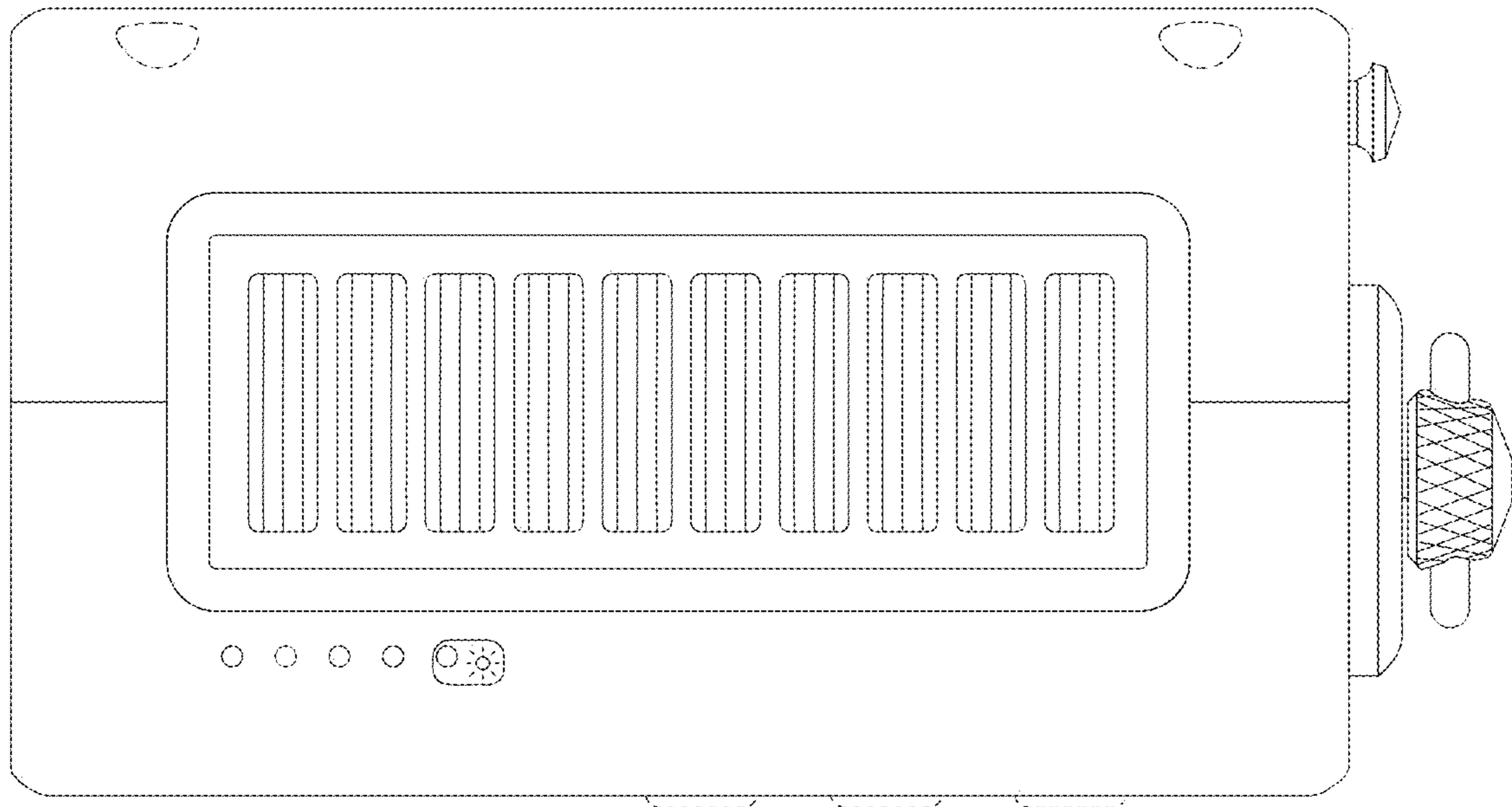


FIG.6



FIG.7

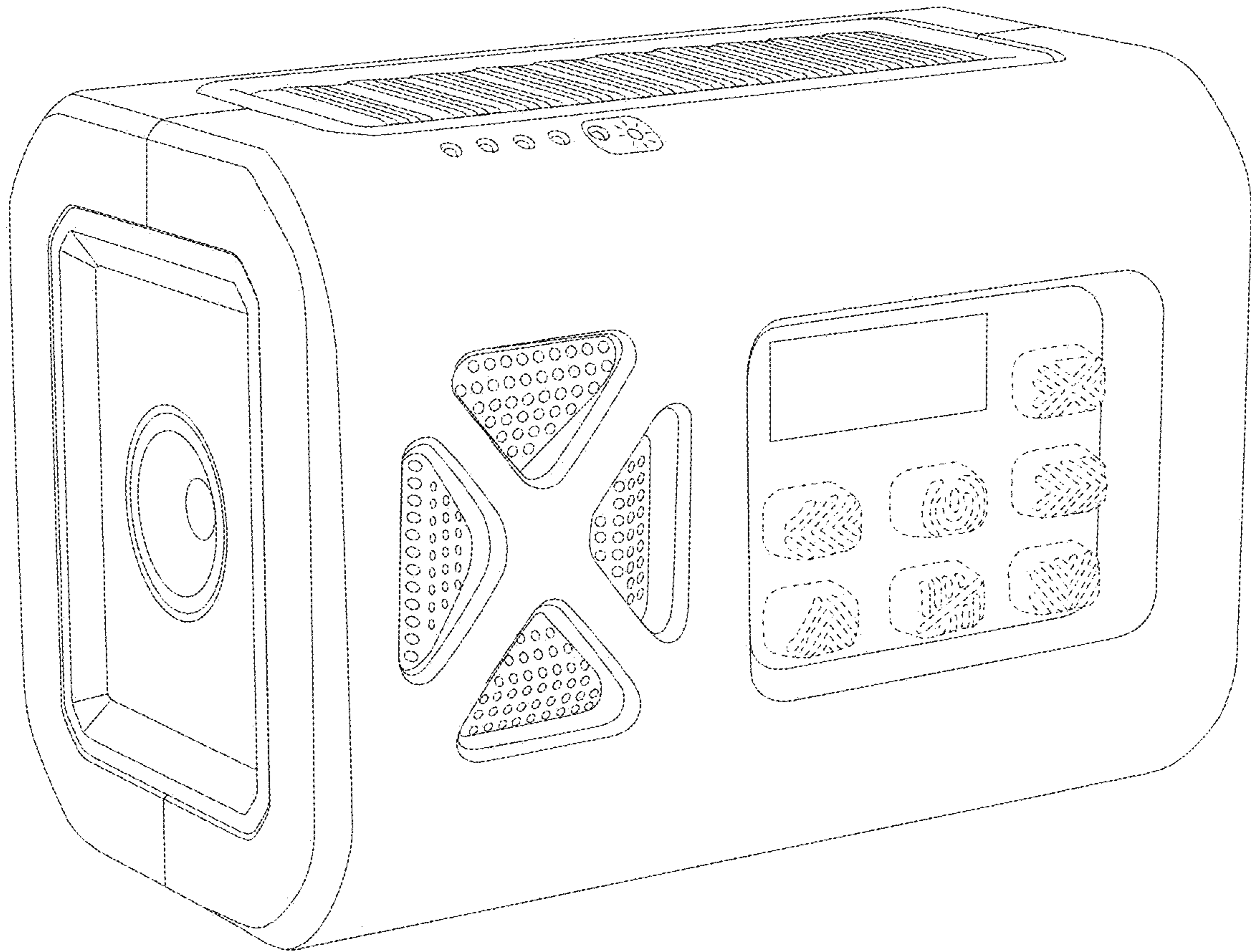


FIG.8