



US00D959394S

(12) **United States Design Patent** (10) **Patent No.:** **US D959,394 S**
Vinci et al. (45) **Date of Patent:** **** Aug. 2, 2022**

(54) **CLEANING BRUSH HANDLE**
(71) Applicants: **Peter R. Vinci**, Woodstock, NY (US);
Ian R. Vinci, Woodstock, NY (US);
Peter Vinci, Woodstock, NY (US)
(72) Inventors: **Peter R. Vinci**, Shandaken, NY (US);
Ian R. Vinci, Shandaken, NY (US);
Peter Vinci, Shandaken, NY (US);
Austin S. Reiss, Chichester, NY (US)

D451,681 S * 12/2001 Mink D4/138
D452,994 S * 1/2002 Mink D4/138
6,725,496 B2 * 4/2004 Chang A46B 7/023
15/184
D505,791 S * 6/2005 Chang D4/138
D518,962 S * 4/2006 Hay D4/119
D550,413 S * 9/2007 Cheng D32/35
D624,321 S * 9/2010 Rennette D4/121

(Continued)

(**) Term: **15 Years**
(21) Appl. No.: **29/672,491**

FOREIGN PATENT DOCUMENTS
KR 3020180000875 * 7/2018

(22) Filed: **Dec. 6, 2018**
(51) **LOC (13) Cl.** **04-01**
(52) **U.S. Cl.**
USPC **D14/115**
(58) **Field of Classification Search**
USPC D32/2-3, 15-26, 25, 30, 35, 39, 46, 54,
D32/200; D4/128, 103, 114-115,
D4/121-122, 124, 116, 133, 199, 138;
D3/200; D6/551
CPC B32B 33/00; A47L 25/00; A45D 34/04;
B24C 3/06; A46B 9/02
See application file for complete search history.

OTHER PUBLICATIONS

Hh-231 Electric Scrub Cleaning Hand Brush, Alibaba website 2020,
https://www.alibaba.com/product-detail/HH-231-Used-widely-for-Household_6074023905... site visited Mar. 2, 2020.*

Primary Examiner — John R Yeh
(74) *Attorney, Agent, or Firm* — Law Offices of Michael L. Wise, LLC

(57) **CLAIM**

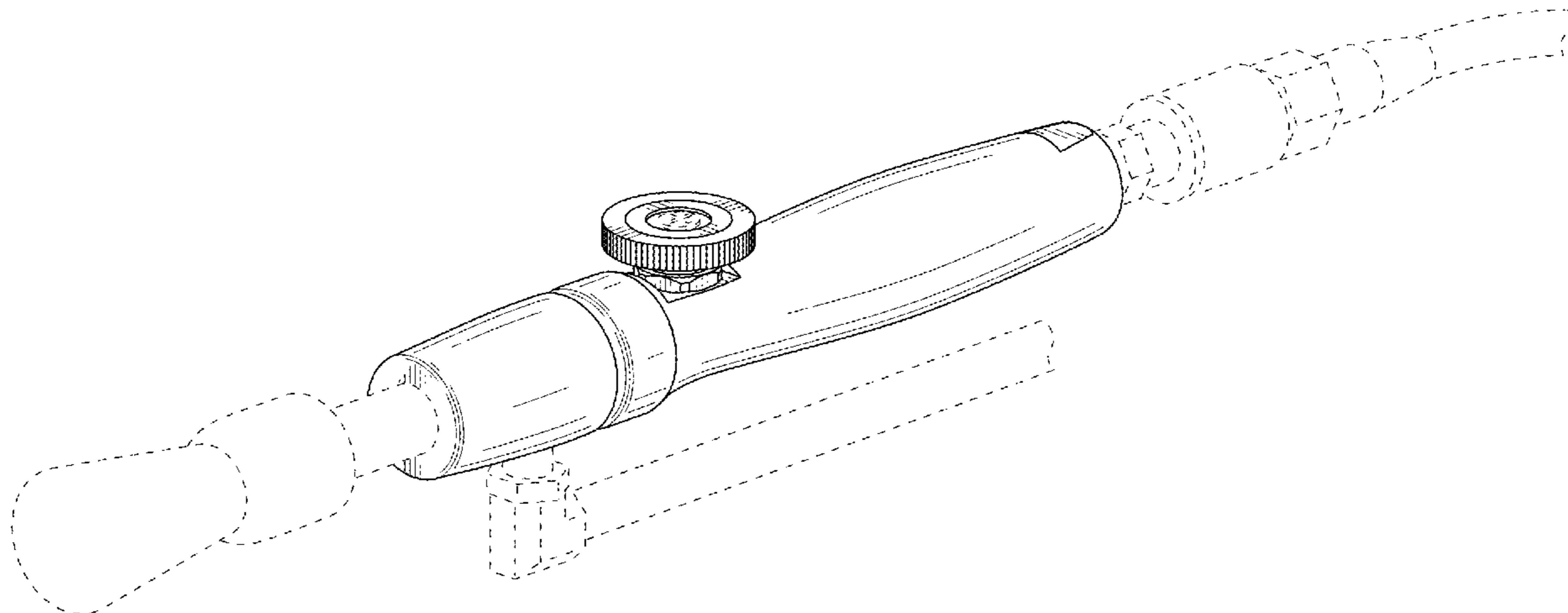
The ornamental design for a cleaning brush handle, as shown and described.

DESCRIPTION

FIG. 1 is a top perspective view of a cleaning brush handle showing our new design;
FIG. 2 is another top perspective view thereof;
FIG. 3 is a top plan view thereof;
FIG. 4 is a right side view thereof;
FIG. 5 is a bottom side view thereof;
FIG. 6 is a left side view thereof;
FIG. 7 is a front side view thereof; and,
FIG. 8 is a rear side view thereof.
The broken lines illustrate environment and portions of the cleaning brush handle that form no part of the claimed design.

(56) **References Cited**
U.S. PATENT DOCUMENTS
4,912,801 A * 4/1990 Hammill A46B 9/02
15/105
D315,833 S * 4/1991 Brazis D4/138
D319,736 S * 9/1991 Thuresson D4/135
D362,092 S * 9/1995 Wasak D32/40
D364,714 S * 11/1995 Jeffery D32/35
D367,559 S * 3/1996 Leslie D4/138
D383,612 S * 9/1997 Chan D4/138
D399,420 S * 10/1998 Holliday D9/718
5,906,319 A * 5/1999 Crowl A46B 11/066
239/310
5,993,560 A * 11/1999 Wasak A46B 7/023
134/6

1 Claim, 5 Drawing Sheets



(56)

References Cited

U.S. PATENT DOCUMENTS

D669,274 S * 10/2012 Meurrens D4/121
D691,810 S * 10/2013 Dana D4/108
8,727,650 B2 * 5/2014 Carroll A45D 34/04
401/107
D714,558 S * 10/2014 Mink D4/135
8,985,884 B2 * 3/2015 Nakamura B05C 11/00
401/171
D742,086 S * 10/2015 Pennington D32/35
D779,755 S * 2/2017 Balz D32/35
D782,202 S * 3/2017 Machiorlette D4/138
D787,190 S * 5/2017 Machiorlette D4/102
D800,457 S * 10/2017 Kaicker D4/138
9,867,448 B2 * 1/2018 Apodaca A45D 33/18
D814,130 S * 3/2018 Taub D32/40
D841,269 S * 2/2019 Bugni D32/35
10,206,743 B2 * 2/2019 Tankovich A61B 18/203
D847,593 S * 5/2019 Nadell D8/14
D851,410 S * 6/2019 Harrington D4/138
D863,779 S * 10/2019 Appelbaum D4/114
D866,104 S * 11/2019 Rao D32/35
10,874,193 B2 * 12/2020 Chen A45D 40/06
D908,297 S * 1/2021 Carriere D32/35
2006/0216104 A1 * 9/2006 Bouix A45D 34/04
401/270
2008/0034520 A1 * 2/2008 Heap A46B 11/0017
15/105
2014/0301765 A1 * 10/2014 Maiwald A61M 35/006
401/132
2015/0250288 A1 * 9/2015 Fedorov B05B 1/3013
239/337

* cited by examiner

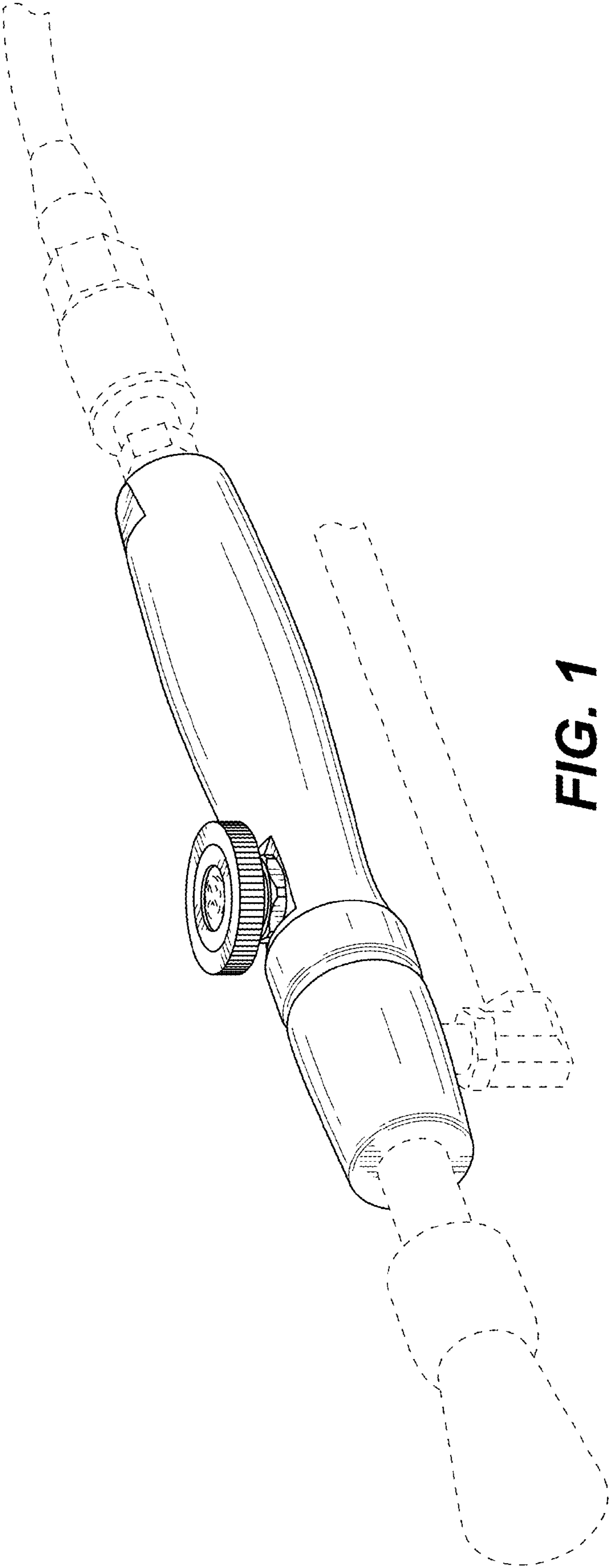


FIG. 1

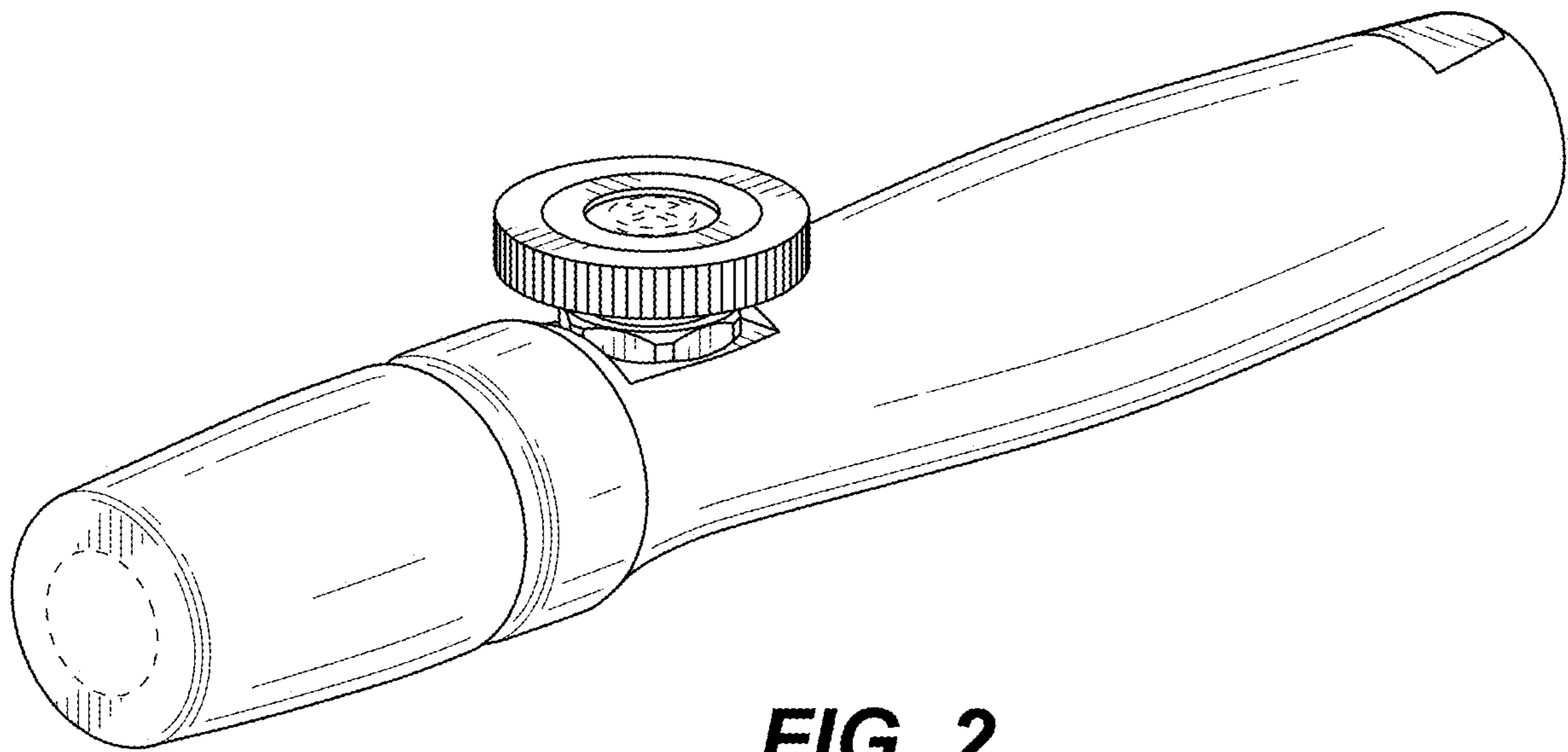


FIG. 2

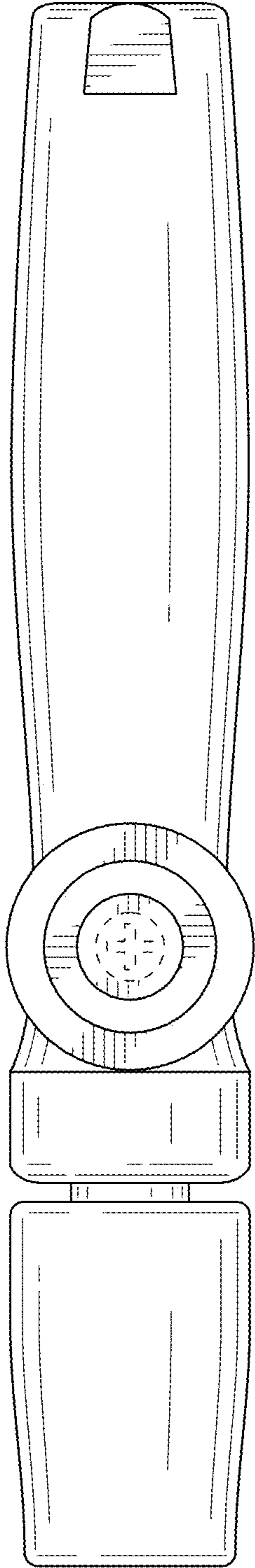


FIG. 3

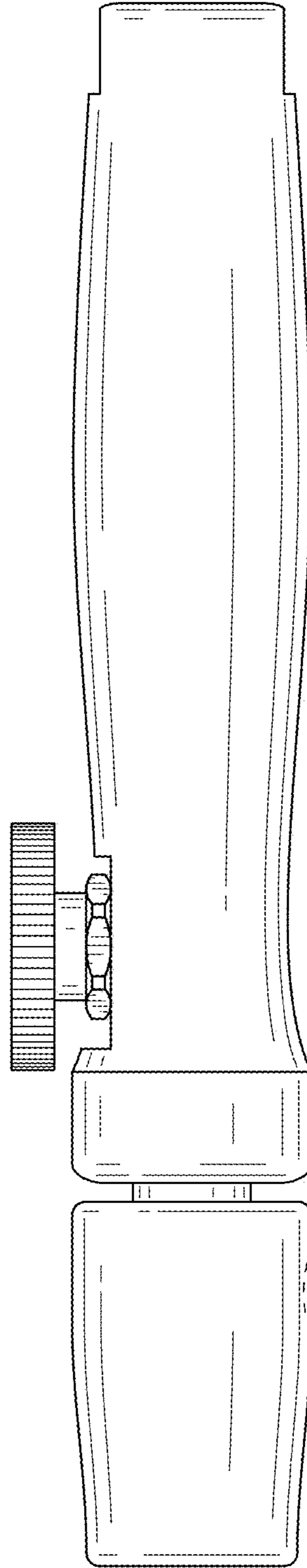


FIG. 4

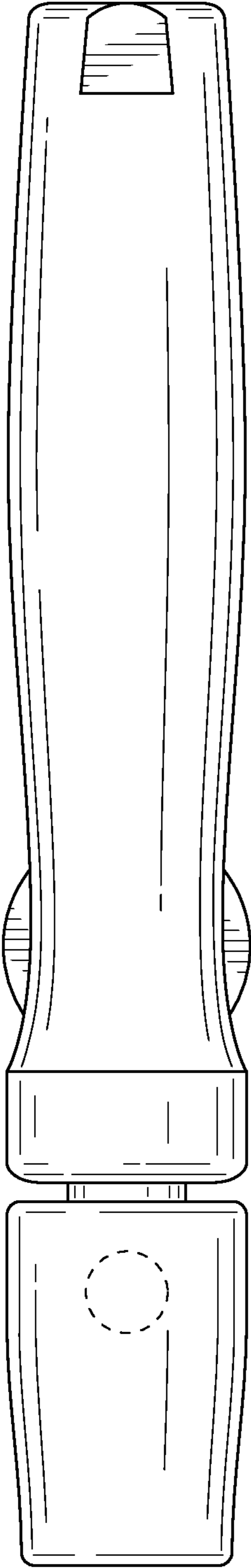


FIG. 5

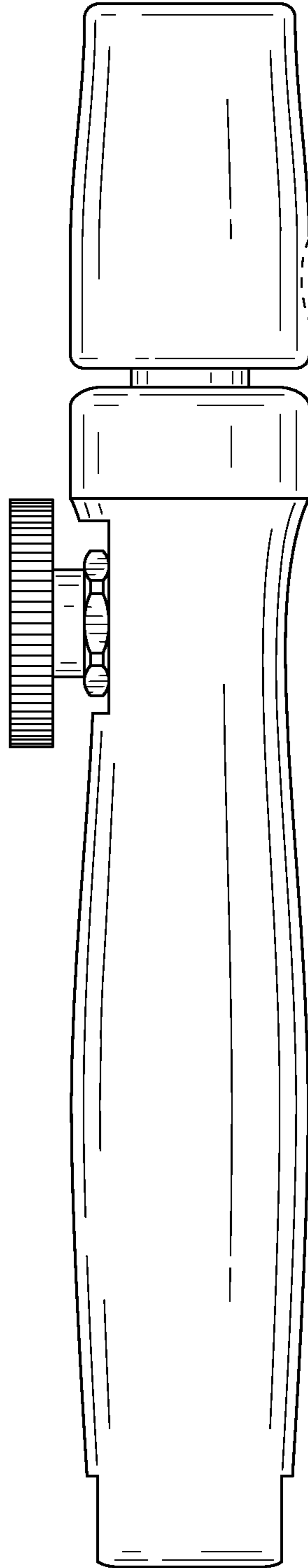


FIG. 6

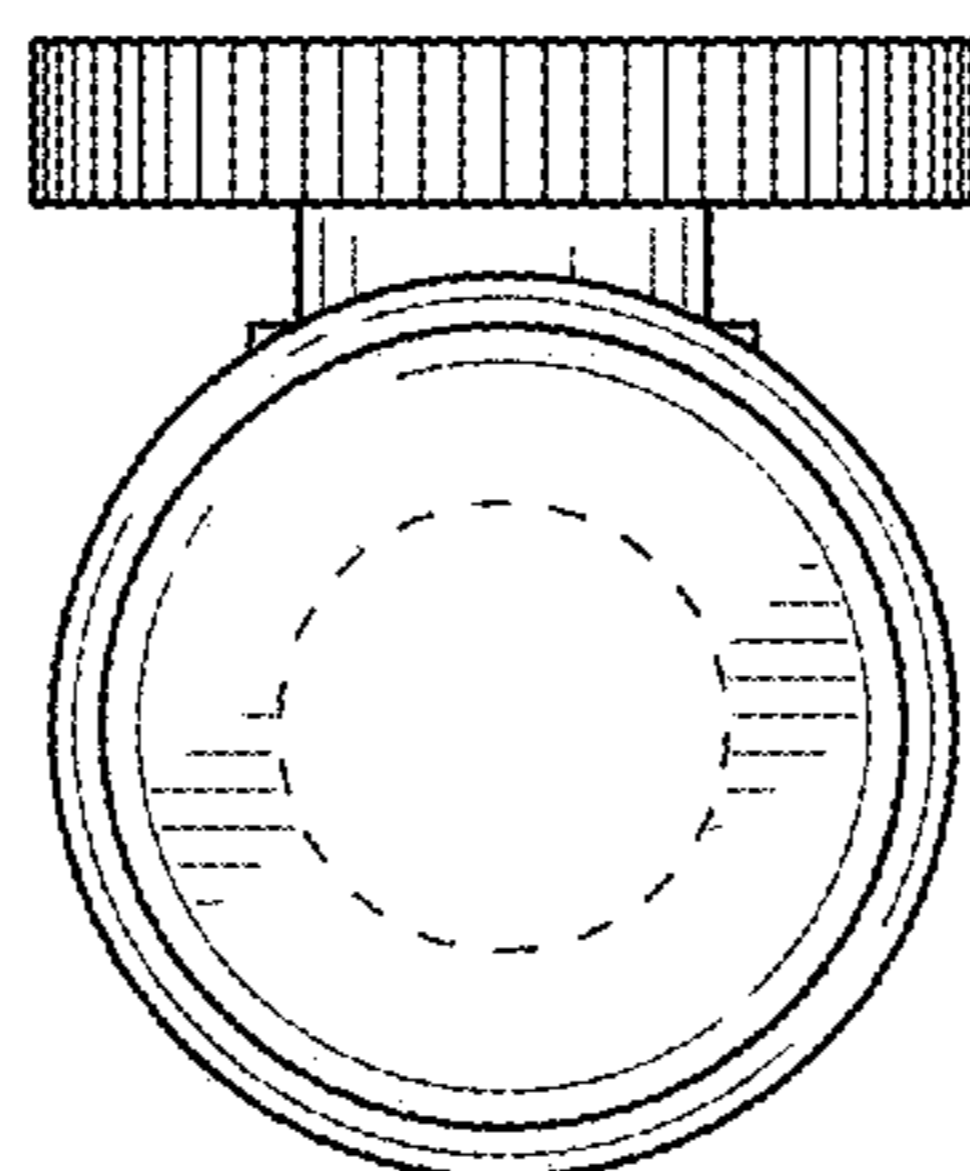


FIG. 7

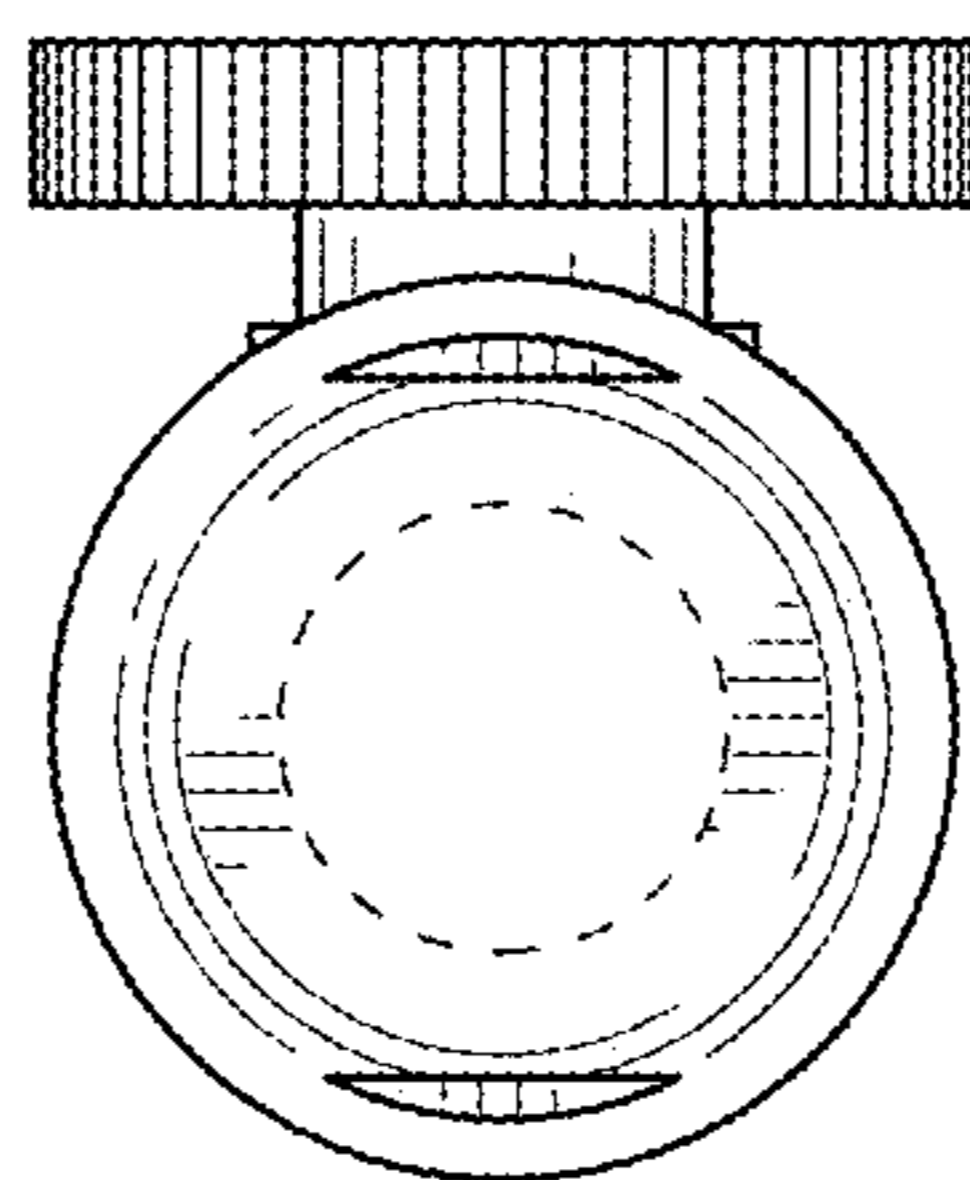


FIG. 8