



US00D959391S

(12) **United States Design Patent**
Jhun

(10) **Patent No.:** **US D959,391 S**

(45) **Date of Patent:** **** Aug. 2, 2022**

(54) **WALL MOUNTED BUTTON PANEL**

FOREIGN PATENT DOCUMENTS

(71) Applicant: **Crestron Electronics, Inc.**, Rockleigh,
NJ (US)

CA	123789	6/2009
CA	123790	6/2009
EM	000536990-0012	1/2006

(72) Inventor: **Sae Jhun**, Bayside, NY (US)

OTHER PUBLICATIONS

(73) Assignee: **Crestron Electronics, Inc.**, Rockleigh,
NJ (US)

Lutron Electronics Co., Inc., Palladium Brochure, P/N 367-2552
Rev E, Dec. 2015.

(**) Term: **15 Years**

(Continued)

(21) Appl. No.: **29/761,601**

Primary Examiner — Selina Sikder

(22) Filed: **Dec. 10, 2020**

(74) *Attorney, Agent, or Firm* — Crestron Electronics,
Inc.

(51) **LOC (13) Cl.** **13-03**

(52) **U.S. Cl.**
USPC **D13/164**

(58) **Field of Classification Search**
USPC D13/162, 164, 171
CPC .. H01H 3/12; H01H 9/02; H01H 9/16; H01H
9/18; H01H 9/181; H01H 9/182; H01H
13/04; H01H 13/06; H01H 13/14; H01H
2009/187; H05B 39/02; H05B 39/04;
H05B 39/085; H05B 39/086; H05B
39/088; G08C 17/02; H03K 17/96; H03K
17/962

See application file for complete search history.

(57) **CLAIM**

The ornamental design for a wall mounted button panel, as
shown and described.

DESCRIPTION

FIG. 1 shows a top-front perspective view of a wall mounted
button panel.
FIG. 2 shows a bottom-front perspective view of the wall
mounted button panel.
FIG. 3 shows a front elevation view of the wall mounted
button panel.
FIG. 4 shows a left side view of the wall mounted button
panel.
FIG. 5 shows a right side view of the wall mounted button
panel.
FIG. 6 shows a top view of the wall mounted button panel;
and,
FIG. 7 shows a bottom view of the wall mounted button
panel.
The broken line portion of the figure drawings is included to
show unclaimed subject matter only and forms no part of the
claimed design.

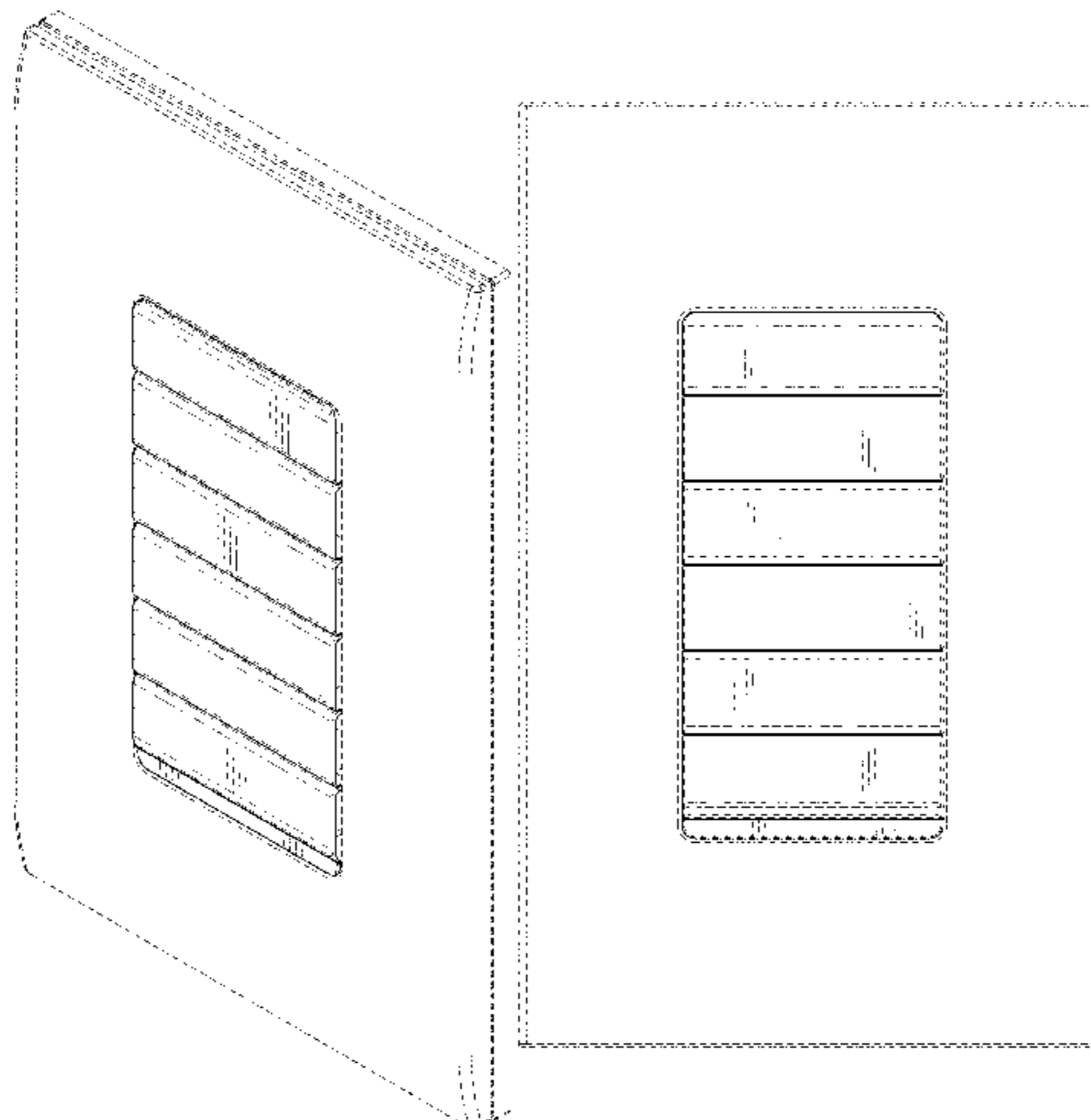
(56) **References Cited**

U.S. PATENT DOCUMENTS

D297,404 S	8/1988	Yandek et al.	
D335,867 S	5/1993	Rowen	
D394,042 S	5/1998	Hwang	
D430,478 S *	9/2000	De brey	D8/353
D436,930 S	1/2001	Butler	
D437,585 S	2/2001	Mayo et al.	
D450,043 S	11/2001	Mosebrook	
6,380,696 B1	4/2002	Sembhi et al.	
D465,460 S	11/2002	Mayo et al.	
6,535,202 B1 *	3/2003	Amari	H01H 13/705 341/23
6,545,434 B2	4/2003	Sembhi et al.	
D475,024 S	5/2003	Bennett et al.	
D518,794 S	4/2006	Hedderich et al.	

(Continued)

1 Claim, 7 Drawing Sheets



(56)

References Cited

U.S. PATENT DOCUMENTS

D519,939 S 5/2006 Hedderich et al.
 D539,758 S 4/2007 Blair et al.
 D543,951 S 6/2007 Blair et al.
 D563,326 S 3/2008 Patel et al.
 D564,457 S 3/2008 Billings et al.
 D581,369 S 11/2008 Egea
 D588,035 S * 3/2009 Schmalz D10/106.8
 D626,092 S 10/2010 Clymer et al.
 D633,448 S 3/2011 Biery et al.
 D633,874 S 3/2011 Feldstein et al.
 D636,351 S 4/2011 Rodriguez et al.
 D638,375 S 5/2011 Clymer et al.
 D642,894 S * 8/2011 Soper D8/353
 D644,914 S * 9/2011 Hoffman D8/353
 8,102,375 B1 * 1/2012 Feldstein G06F 3/02
 341/23
 D687,390 S 8/2013 McDonald et al.
 D714,736 S * 10/2014 O'Donnell D13/164
 D715,231 S 10/2014 O'Donnell
 D721,659 S 1/2015 Rodriguez et al.
 D729,612 S * 5/2015 de Peralta D8/350
 D731,986 S 6/2015 Madsen et al.
 D733,073 S 6/2015 Larkin et al.
 D733,076 S 6/2015 Jacoby et al.
 D734,277 S * 7/2015 Jacoby D13/164

D767,513 S 9/2016 Jacoby
 D768,582 S 10/2016 Jacoby
 D781,245 S * 3/2017 Okawa D13/162
 D792,358 S * 7/2017 Poulheim D13/164
 D797,685 S * 9/2017 Mosolygo D13/164
 D803,167 S 11/2017 Jacoby et al.
 D804,287 S * 12/2017 Baldwin D8/353
 D813,177 S 3/2018 Poulheim et al.
 D813,828 S 3/2018 Jacoby et al.
 9,965,047 B2 * 5/2018 Kirkpatrick H05B 45/20
 D831,588 S * 10/2018 Fiedler D13/164
 D834,539 S 11/2018 Poulheim et al.
 D859,326 S * 9/2019 Cox D13/164
 D887,372 S 6/2020 Jacoby et al.
 2016/0069537 A1 3/2016 Dimberg
 2016/0073467 A1 3/2016 McDonald et al.
 2017/0053753 A1 * 2/2017 Adams B41M 5/24

OTHER PUBLICATIONS

PCS PulseWorx, KPC 7-Button Controller Manual Configuration Guide, Version 1.0, Oct. 1, 2013.
 Control4 Lighting Equipment, available at www.c9ny.com/products/c4/lighting, accessed on Sep. 21, 2016.
 U.S. Appl. No. 29/293,669, filed Dec. 4, 2007, titled "Lighting control keypad", Abandoned.

* cited by examiner

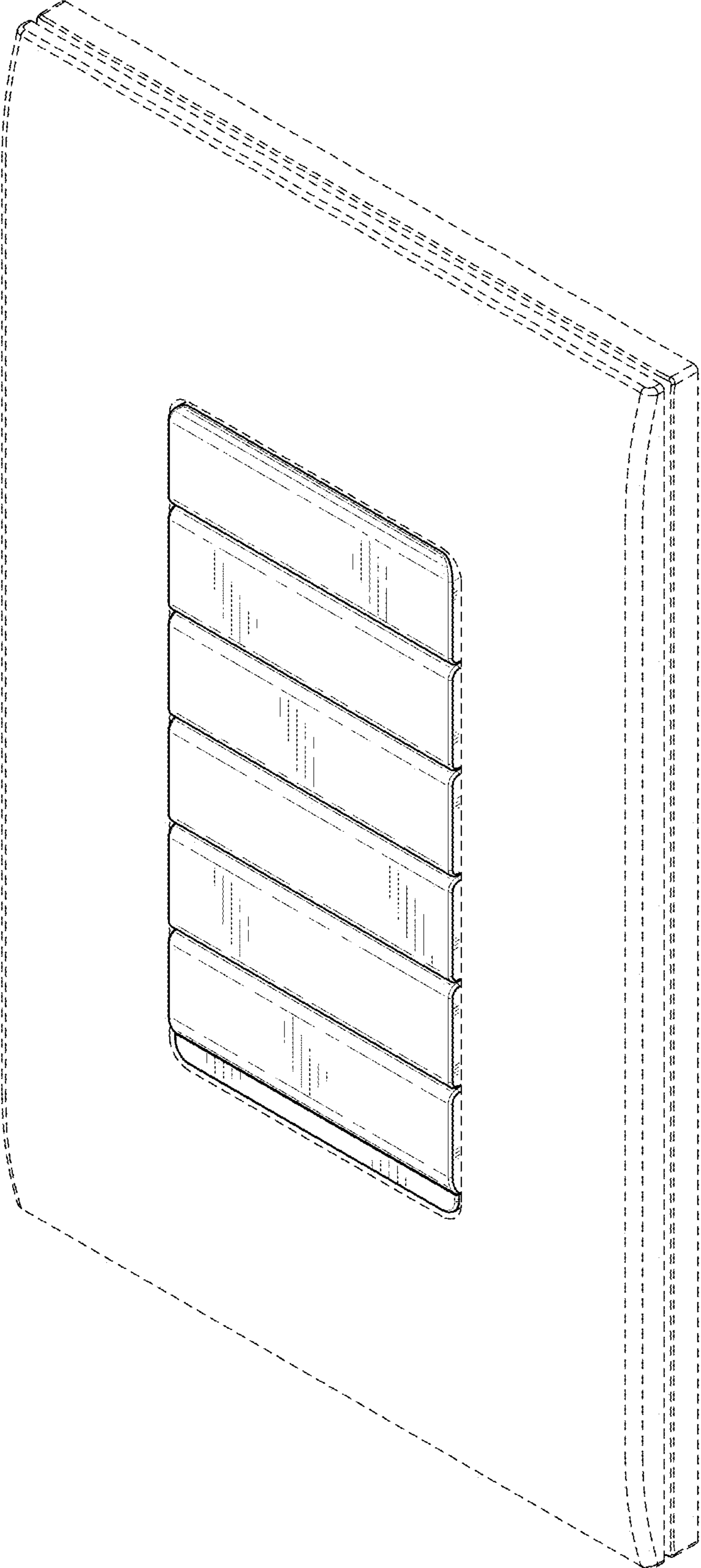


FIG. 1

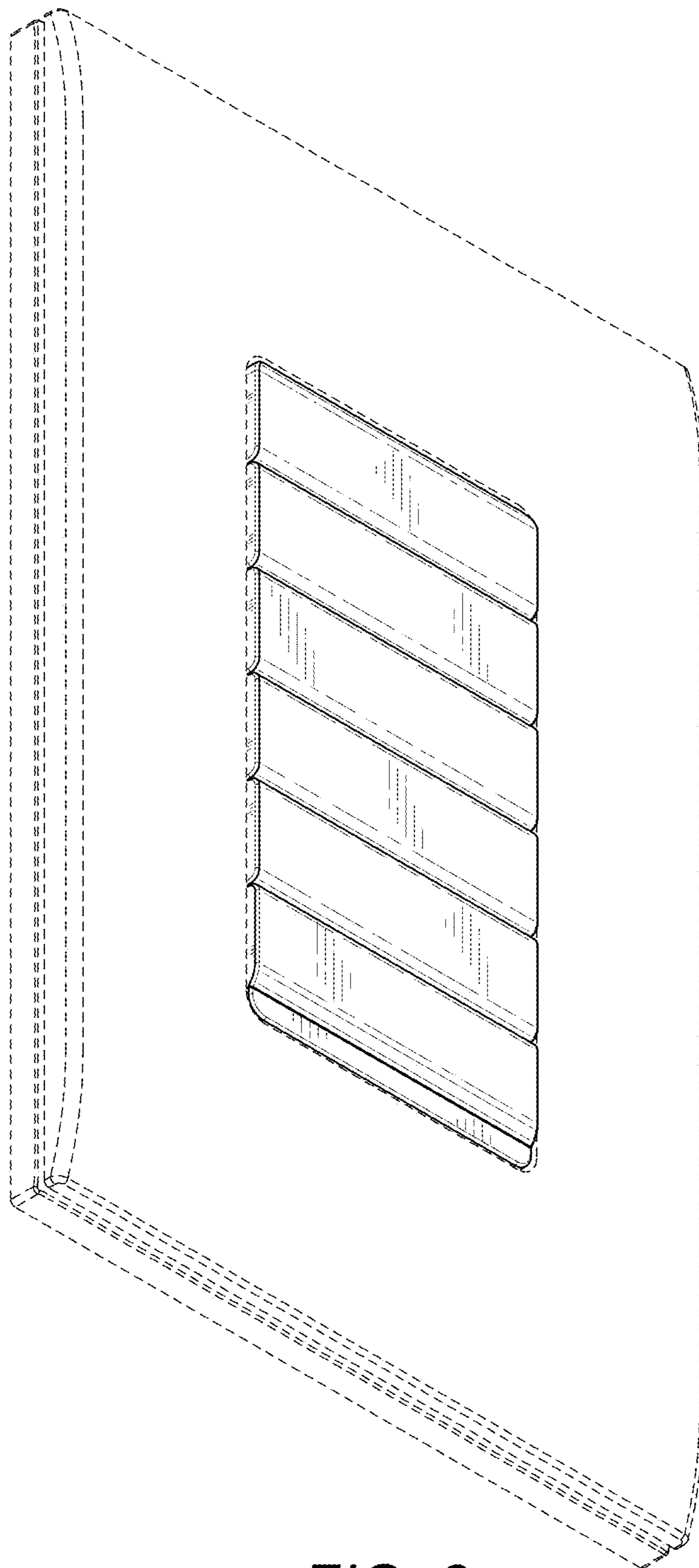


FIG. 2

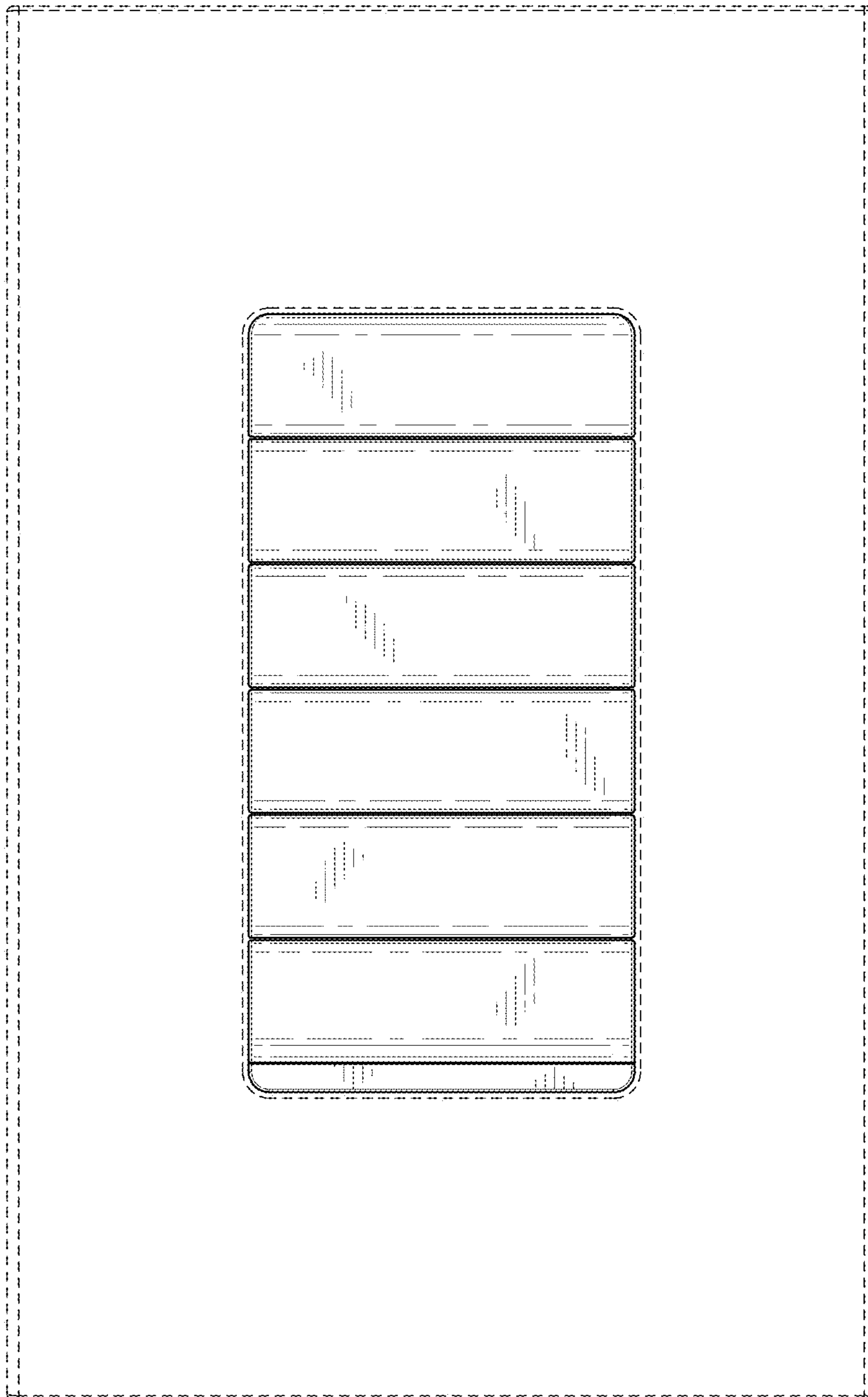


FIG. 3

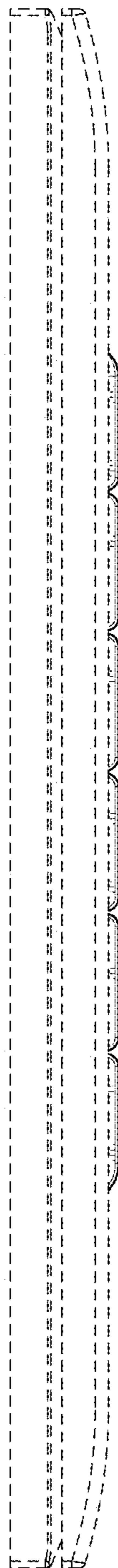


FIG. 4

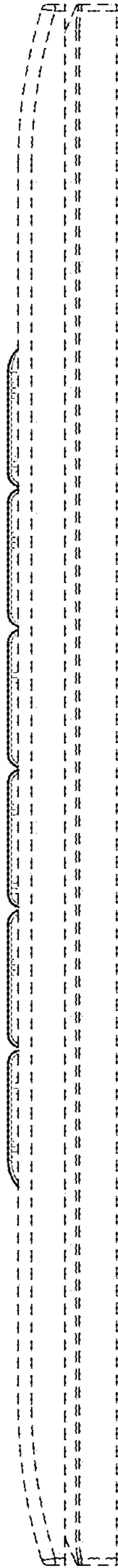


FIG. 5

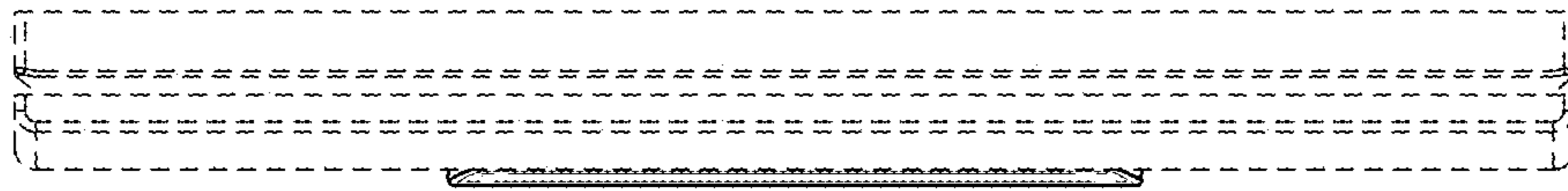


FIG. 6

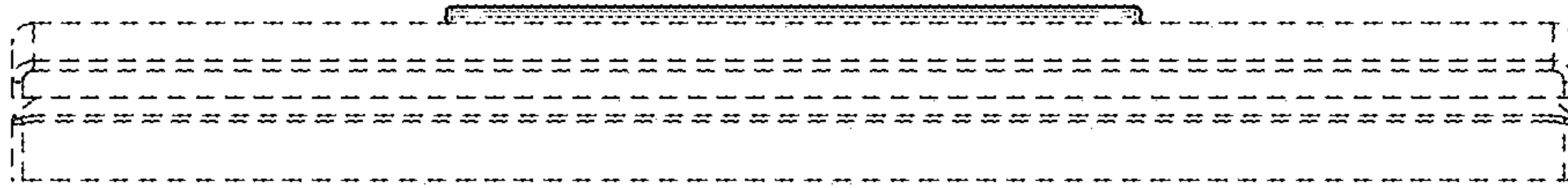


FIG. 7