



US00D959389S

(12) **United States Design Patent**
Hoofard et al.

(10) **Patent No.:** **US D959,389 S**

(45) **Date of Patent:** **** Aug. 2, 2022**

(54) **PORTION OF A LOADING DOCK CONTROL PANEL**

(71) Applicant: **ASSA ABLOY Entrance Systems AB**,
Landskrona (SE)

(72) Inventors: **Richard K. Hoofard**, Dallas, TX (US);
Daryl Day, Frisco, TX (US)

(73) Assignee: **ASSA ABLOY Entrance Systems AB**,
Landskrona (SE)

(**) Term: **15 Years**

(21) Appl. No.: **29/676,053**

(22) Filed: **Jan. 8, 2019**

(51) **LOC (13) Cl.** **13-03**

(52) **U.S. Cl.**
USPC **D13/162; D13/184**

(58) **Field of Classification Search**
USPC D13/152, 158, 162, 177, 184; D14/240,
D14/308

CPC B65G 69/003; B65G 69/008; B65G 69/28;
B65G 69/2882; H02J 9/06

See application file for complete search history.

(56) **References Cited**

U.S. PATENT DOCUMENTS

D285,306 S *	8/1986	Joffe	D14/240
D292,089 S *	9/1987	Smith	D14/240
D295,512 S *	5/1988	Becraft	D14/140.3
4,843,373 A *	6/1989	Trickle	B65G 69/003 340/540
5,047,748 A	9/1991	Trickle		
D325,829 S *	5/1992	Cury	D13/184
5,168,267 A	12/1992	Trickle		
5,453,735 A *	9/1995	Hahn	B65G 69/003 340/687
D391,233 S *	2/1998	Sitler	D13/184

D396,238 S *	7/1998	Schmitt	D13/184
5,831,540 A *	11/1998	Sullivan	B65G 69/2882 340/679
D405,767 S *	2/1999	Nelson	D13/184
D440,788 S *	4/2001	Alexandersson	D6/661
D452,392 S *	12/2001	Meder	D6/661
D453,755 S *	2/2002	Eleby	D14/308
D460,876 S *	7/2002	Onken	D6/671
6,812,849 B1 *	11/2004	Ancel	B65G 69/2882 340/500
7,119,673 B2 *	10/2006	Eager	G05B 23/0272 340/500

(Continued)

OTHER PUBLICATIONS

Reduce Loading Dock Accidents With Vehicle Restraints; available
2018; 3 pgs. ; <https://apsresource.com/products/vehicle-restraints/>.*

Primary Examiner — Selina Sikder

(74) *Attorney, Agent, or Firm* — Perkins Coie LLP

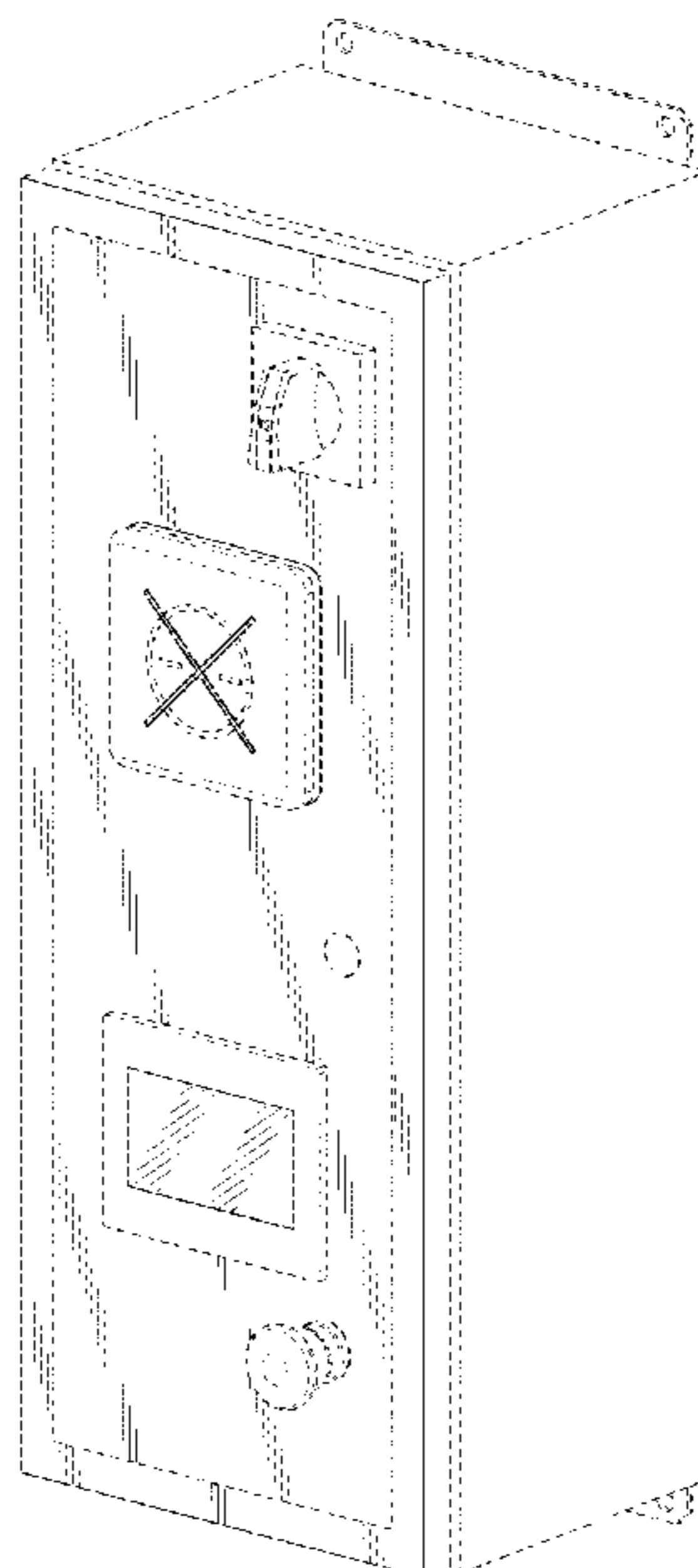
(57) **CLAIM**

The ornamental design for a portion of a loading dock control panel, as shown and described.

DESCRIPTION

FIG. 1 is a front-top perspective view of a loading dock control panel showing our new design; FIG. 2 is a front view of the loading dock control panel; FIG. 3 is a back view of the loading dock control panel; FIG. 4 is a left-side view of the loading dock control panel; FIG. 5 is a right-side view of the loading dock control panel; FIG. 6 is a top view of the loading dock control panel; and, FIG. 7 is a bottom view of the loading dock control panel. The portions of the images shown with broken lines are for illustrative purposes only and form no part of the claimed design.

1 Claim, 7 Drawing Sheets



(56)

References Cited

U.S. PATENT DOCUMENTS

D546,770 S * 7/2007 Herbstritt D13/162
 7,274,300 B2 * 9/2007 Duvernell B65G 69/001
 340/686.2
 7,750,890 B2 7/2010 Fitzgibbon et al.
 7,956,718 B2 6/2011 Murphy et al.
 8,345,010 B2 1/2013 Fitzgibbon et al.
 8,410,895 B2 4/2013 Murphy et al.
 8,497,761 B2 7/2013 McNeill et al.
 8,976,006 B2 3/2015 Krupke et al.
 D728,976 S * 5/2015 Galland D6/661
 9,230,419 B2 1/2016 Beggs et al.
 9,564,072 B2 2/2017 Senfleben et al.
 9,633,537 B2 4/2017 Beggs et al.
 9,771,225 B2 9/2017 Stone et al.
 9,776,511 B2 10/2017 Brooks et al.
 9,777,529 B2 10/2017 McNeill et al.
 9,926,148 B2 3/2018 Hochstein et al.
 D820,220 S * 6/2018 Kato D13/162
 10,032,380 B2 7/2018 Mushynski et al.
 10,053,904 B2 8/2018 McNeill et al.
 10,096,187 B2 10/2018 Deneen et al.
 10,358,858 B2 * 7/2019 Lietz E06B 9/82
 D863,231 S * 10/2019 Brown D13/164
 10,878,386 B2 * 12/2020 Hoofard G06Q 50/28
 2016/0104364 A1 4/2016 Brooks et al.
 2017/0044817 A1 2/2017 McNeill et al.
 2019/0144218 A1 * 5/2019 Hoofard B65G 69/008
 52/173.2

* cited by examiner

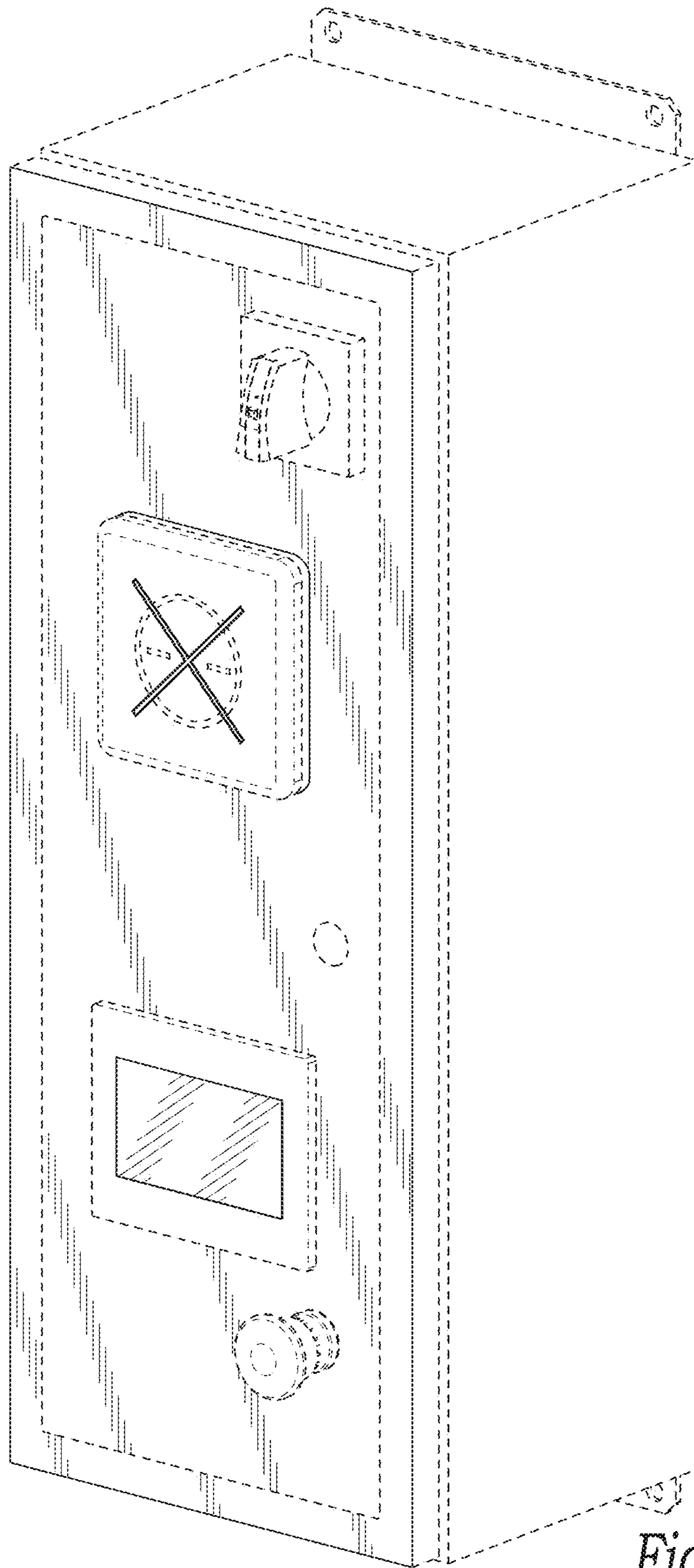


Fig. 1

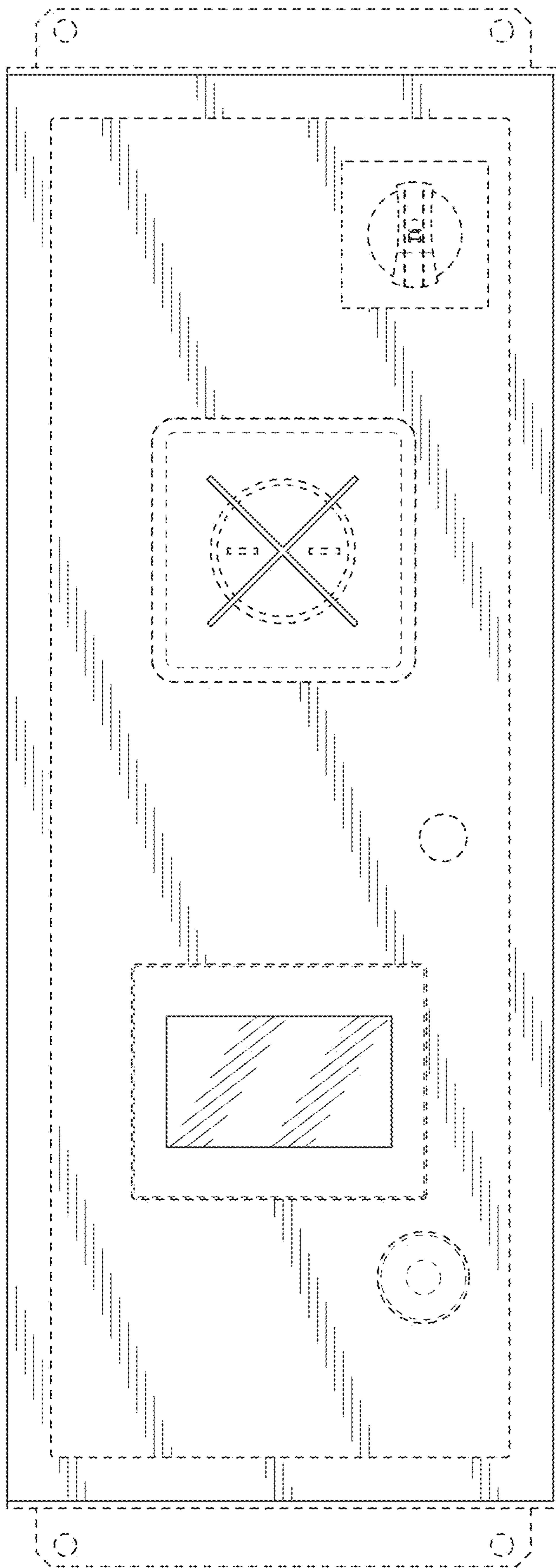


Fig. 2

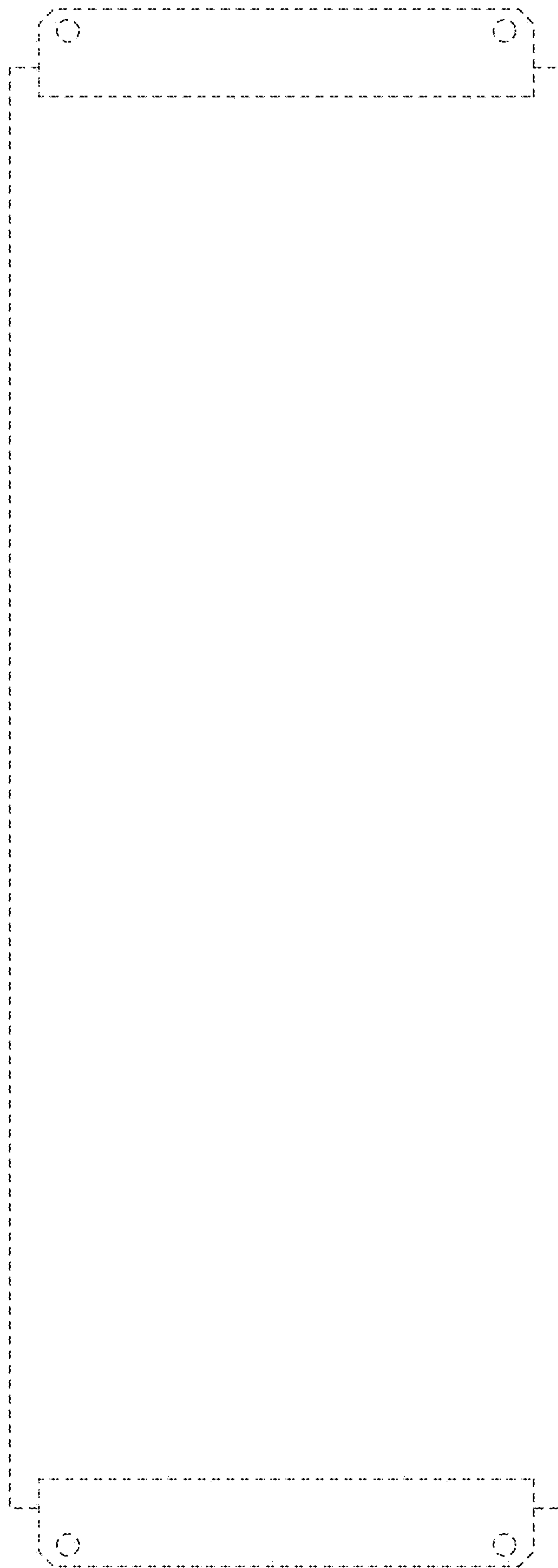


Fig. 3

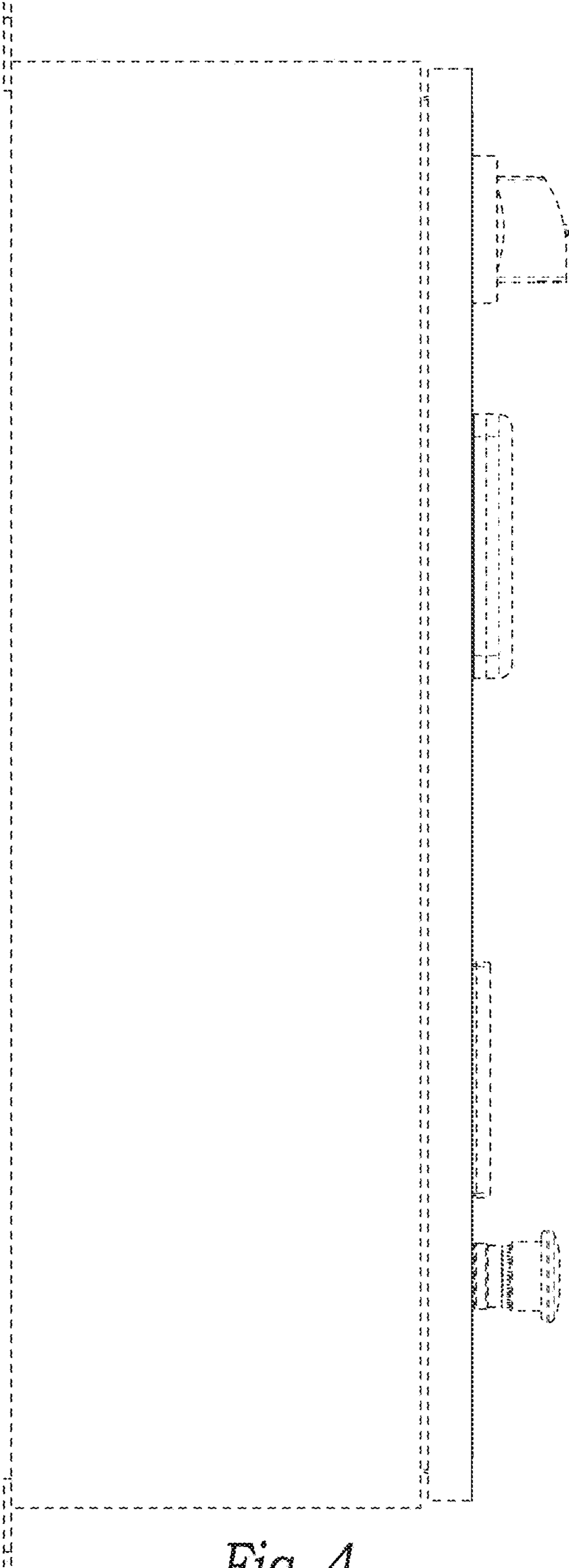


Fig. 4

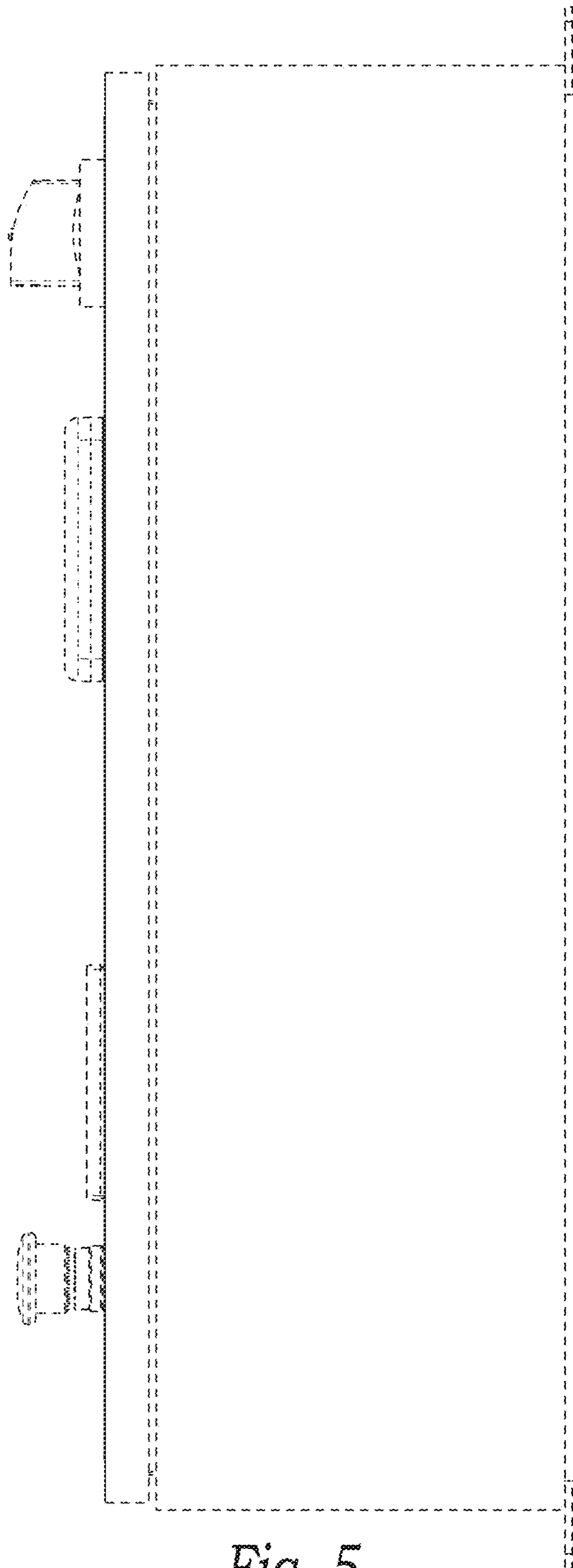


Fig. 5

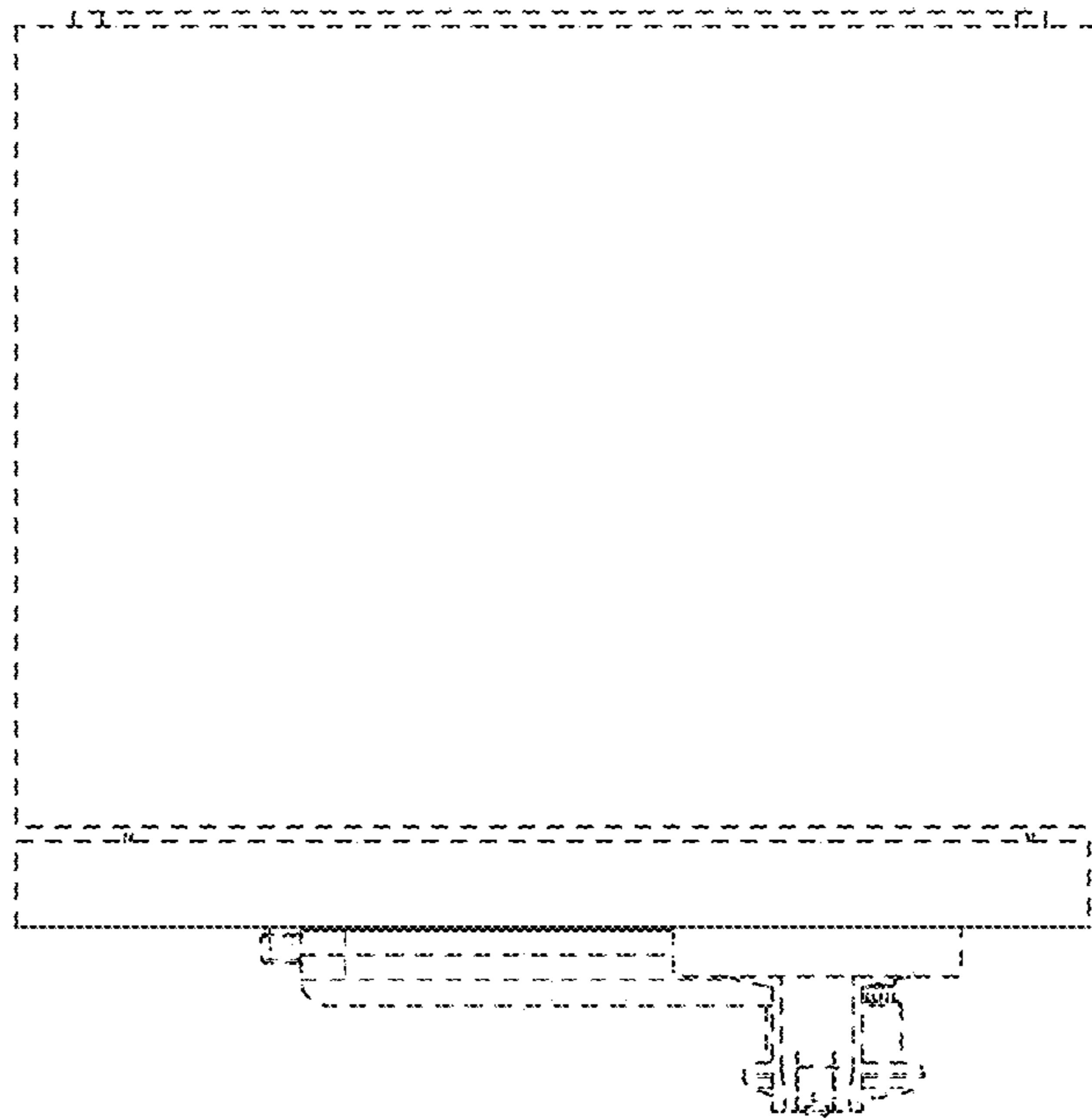


Fig. 6

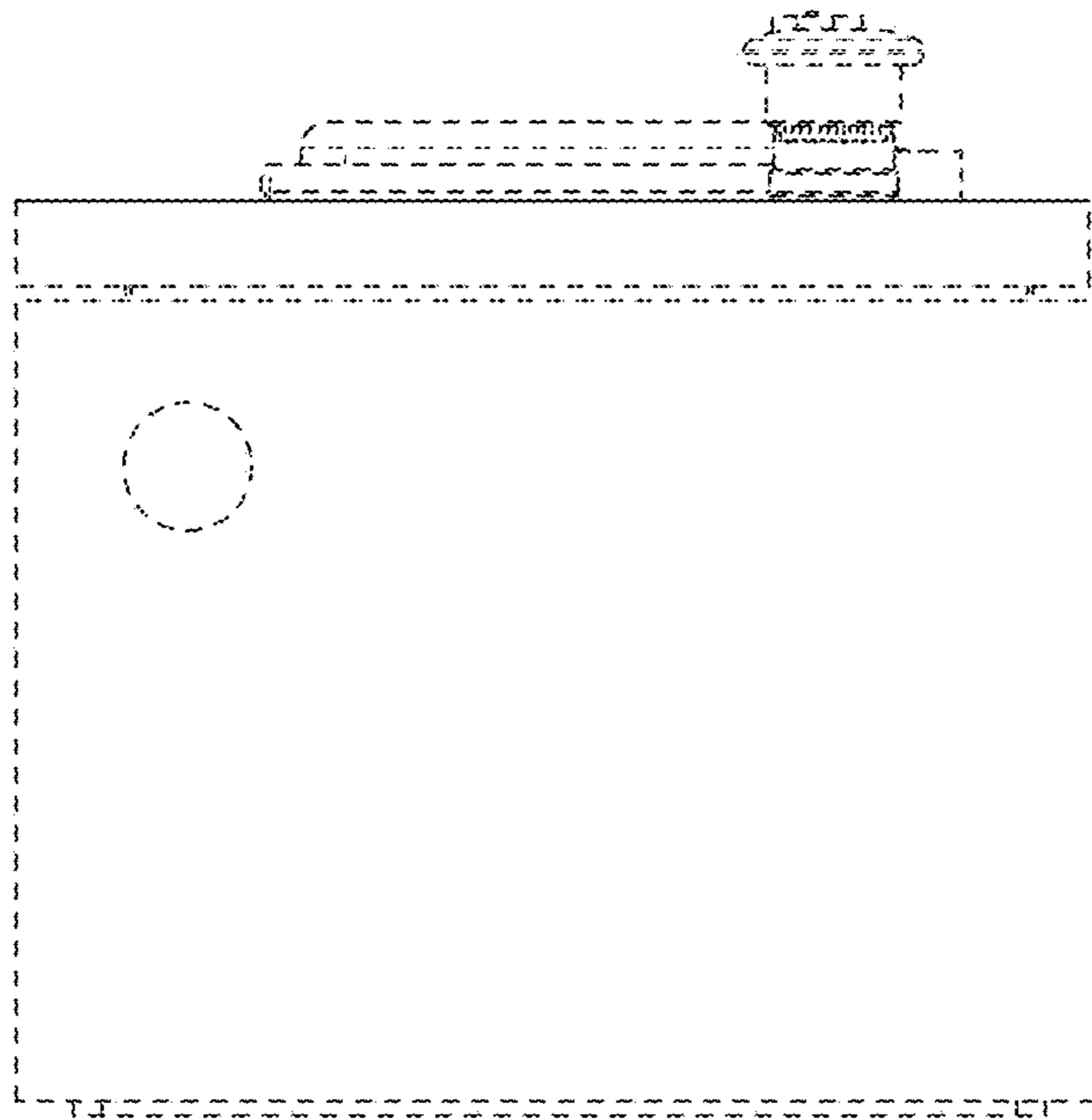


Fig. 7