



US00D959388S

(12) **United States Design Patent** (10) **Patent No.:** **US D959,388 S**
Tomczak et al. (45) **Date of Patent:** **** Aug. 2, 2022**

(54) **SWITCHING DEVICE** 8,461,469 B2 * 6/2013 Engemann H01H 3/3021
200/400

(71) Applicant: **Siemens Aktiengesellschaft**, Munich D752,524 S * 3/2016 Azzola D13/160
(DE) D755,131 S * 5/2016 Azzola D13/160
D781,790 S * 3/2017 Leveque D13/160
D781,791 S * 3/2017 Leveque D13/160

(72) Inventors: **Christoph Tomczak**, Erlangen (DE); D803,166 S * 11/2017 Azzola D13/160
Vincent Holger Weckert, Nuremberg D858,458 S * 9/2019 Tomczak D13/158
(DE) 10,511,159 B2 * 12/2019 Locatelli G06F 3/04847
2006/0118397 A1 * 6/2006 Dahl H02B 11/133
200/50.01

(73) Assignee: **SIEMENS** 2008/0001688 A1 * 1/2008 Gottschalk H01H 71/02
AKTIENGESELLSCHAFT, Munich 335/172
(DE) 2009/0014292 A1 * 1/2009 Lyu H02B 11/133
200/50.26

(**) Term: **15 Years** 2010/0163374 A1 * 7/2010 Kim H02B 11/10
200/50.26

(Continued)

(21) Appl. No.: **29/741,214**
(22) Filed: **Jul. 10, 2020**

(30) **Foreign Application Priority Data**

Jan. 15, 2020 (EM) 007516190

(51) **LOC (13) Cl.** **13-03**

(52) **U.S. Cl.**
USPC **D13/158**

(58) **Field of Classification Search**
USPC D13/123, 133, 158-162, 173, 178, 184,
D13/199

CPC .. H01H 3/30; H01H 5/00; H01H 9/00; H01H
9/02; H01H 9/20; H01H 33/70; H01H
71/02; H01H 71/04

See application file for complete search history.

(56) **References Cited**

U.S. PATENT DOCUMENTS

6,184,483 B1 * 2/2001 Coudert H01H 3/30
200/323

D608,297 S * 1/2010 Shin D13/160

D608,298 S * 1/2010 Shin D13/160

D608,299 S * 1/2010 Shin D13/160

FOREIGN PATENT DOCUMENTS

EP 2015413 A2 * 1/2009 H02B 11/127

Primary Examiner — Shawn T Gingrich

(74) *Attorney, Agent, or Firm* — Cozen O'Connor

(57) **CLAIM**

The ornamental design for a switching device, as shown and described.

DESCRIPTION

FIG. 1 is a front elevational view of a switching device showing our new design;

FIG. 2 is a rear elevational view thereof;

FIG. 3 is a top plan view thereof;

FIG. 4 is a bottom plan view thereof;

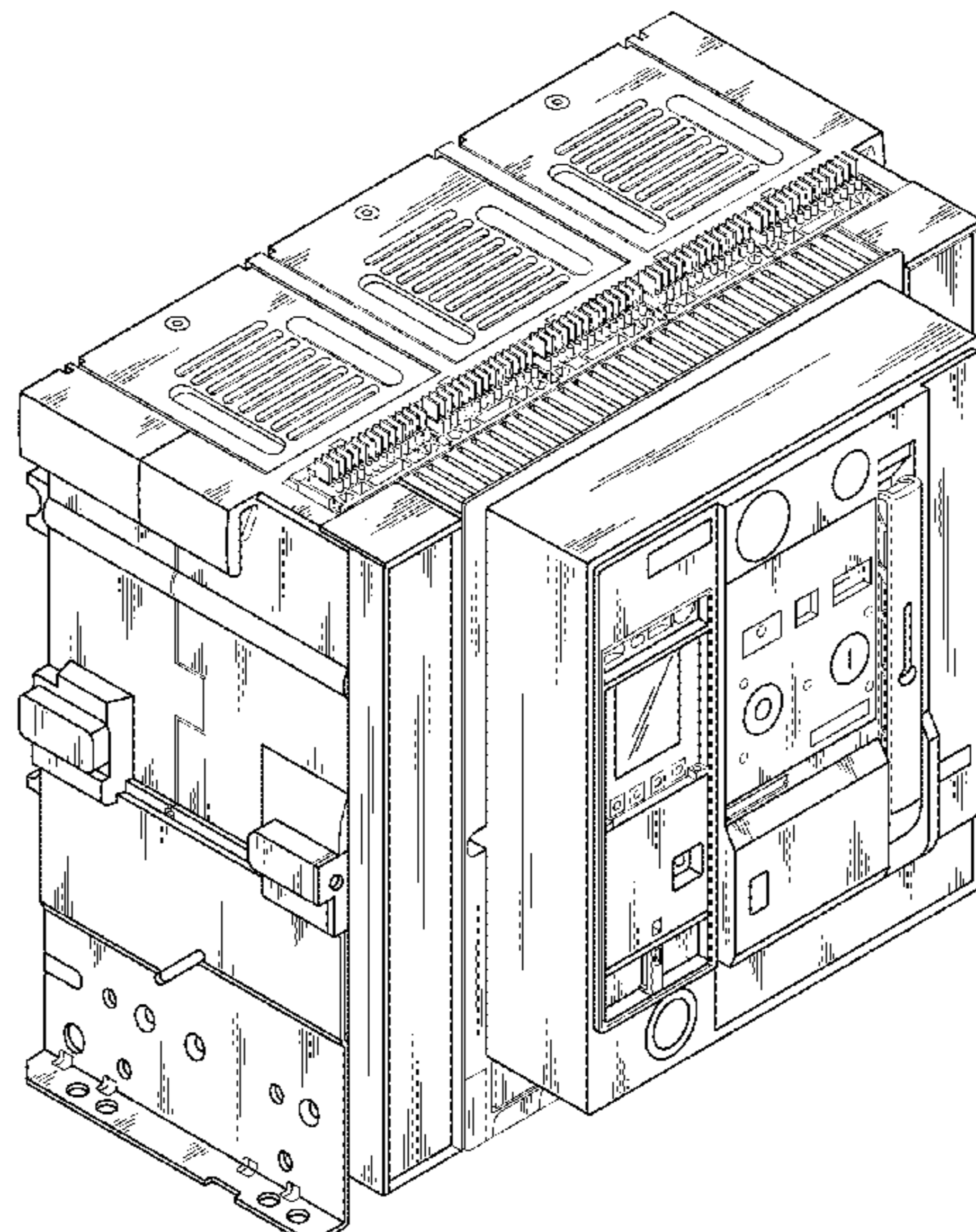
FIG. 5 is a right-side elevational view thereof;

FIG. 6 is a left-side elevational view thereof; and,

FIG. 7 is a front, top and left-side perspective view of the switching device.

The broken lines in the drawings illustrate portions of the switching device that form no part of the claimed design.

1 Claim, 7 Drawing Sheets



(56)

References Cited

U.S. PATENT DOCUMENTS

2012/0325628 A1* 12/2012 Besana H01H 9/167
200/43.14
2016/0217950 A1* 7/2016 Bresciani H01H 33/10
2018/0123329 A1* 5/2018 Seo H02B 11/10
2018/0294110 A1* 10/2018 Lee H01H 73/18
2020/0211793 A1* 7/2020 Rakus H01H 9/22

* cited by examiner

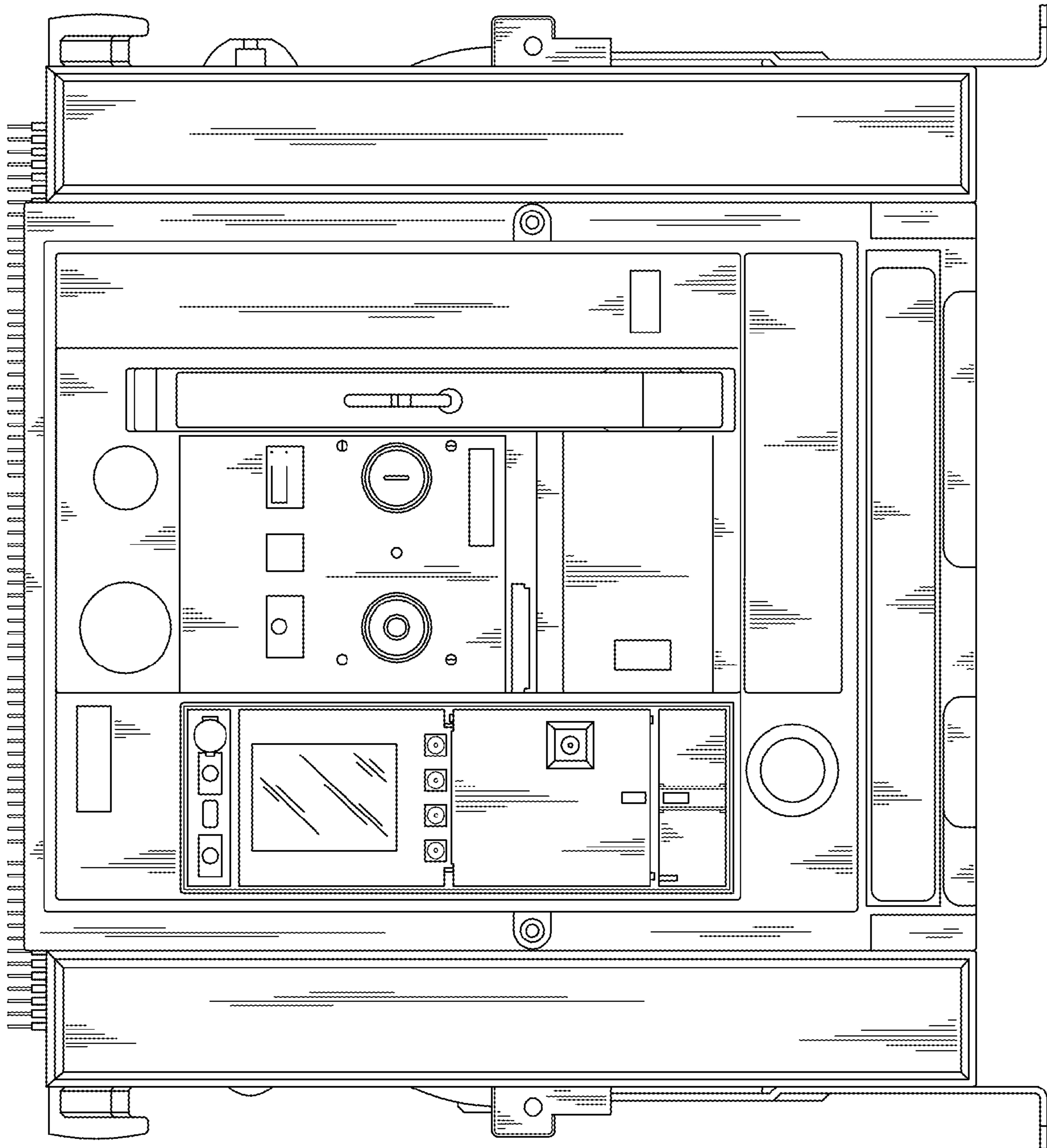


FIG. 1

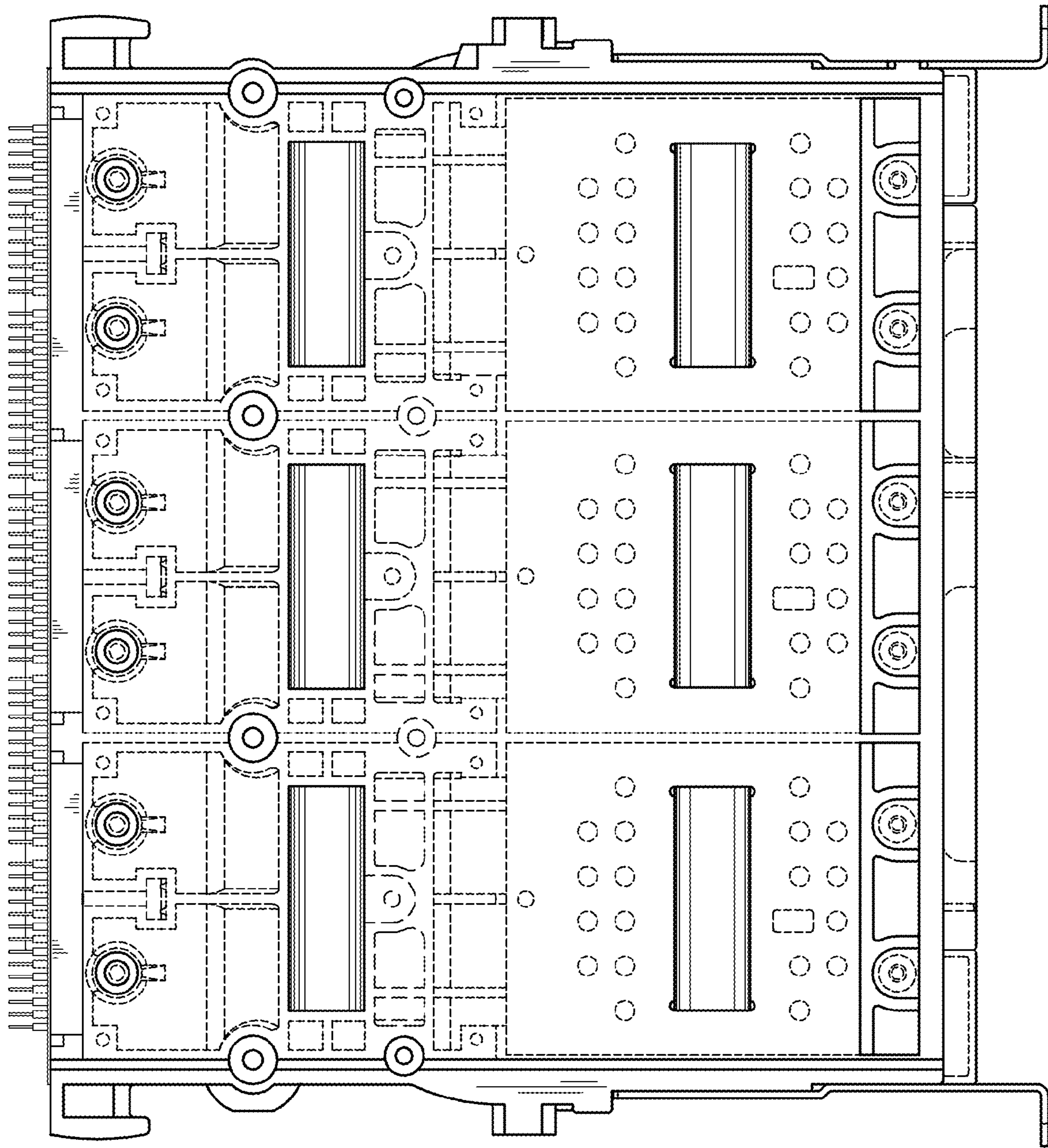


FIG.2

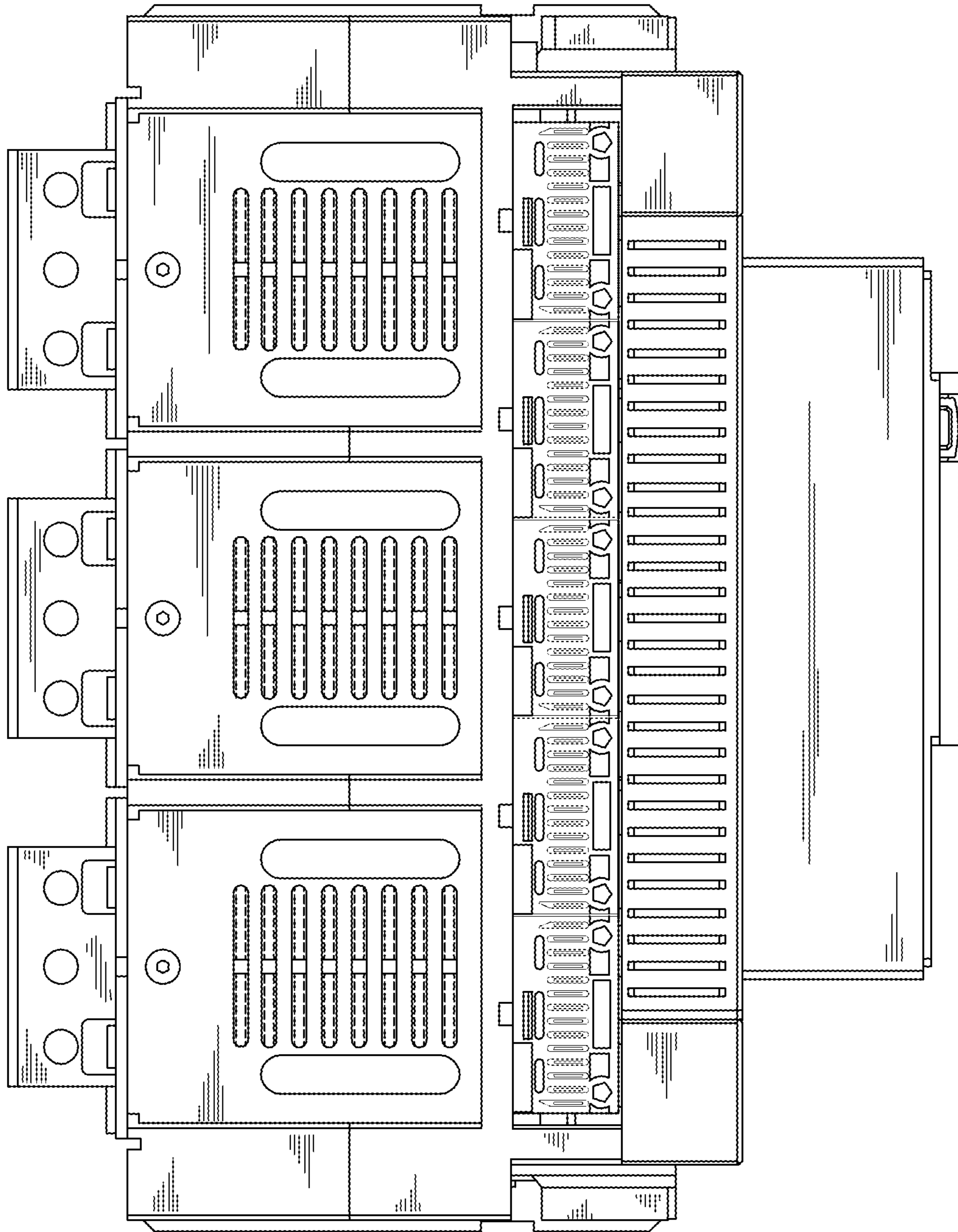


FIG. 3

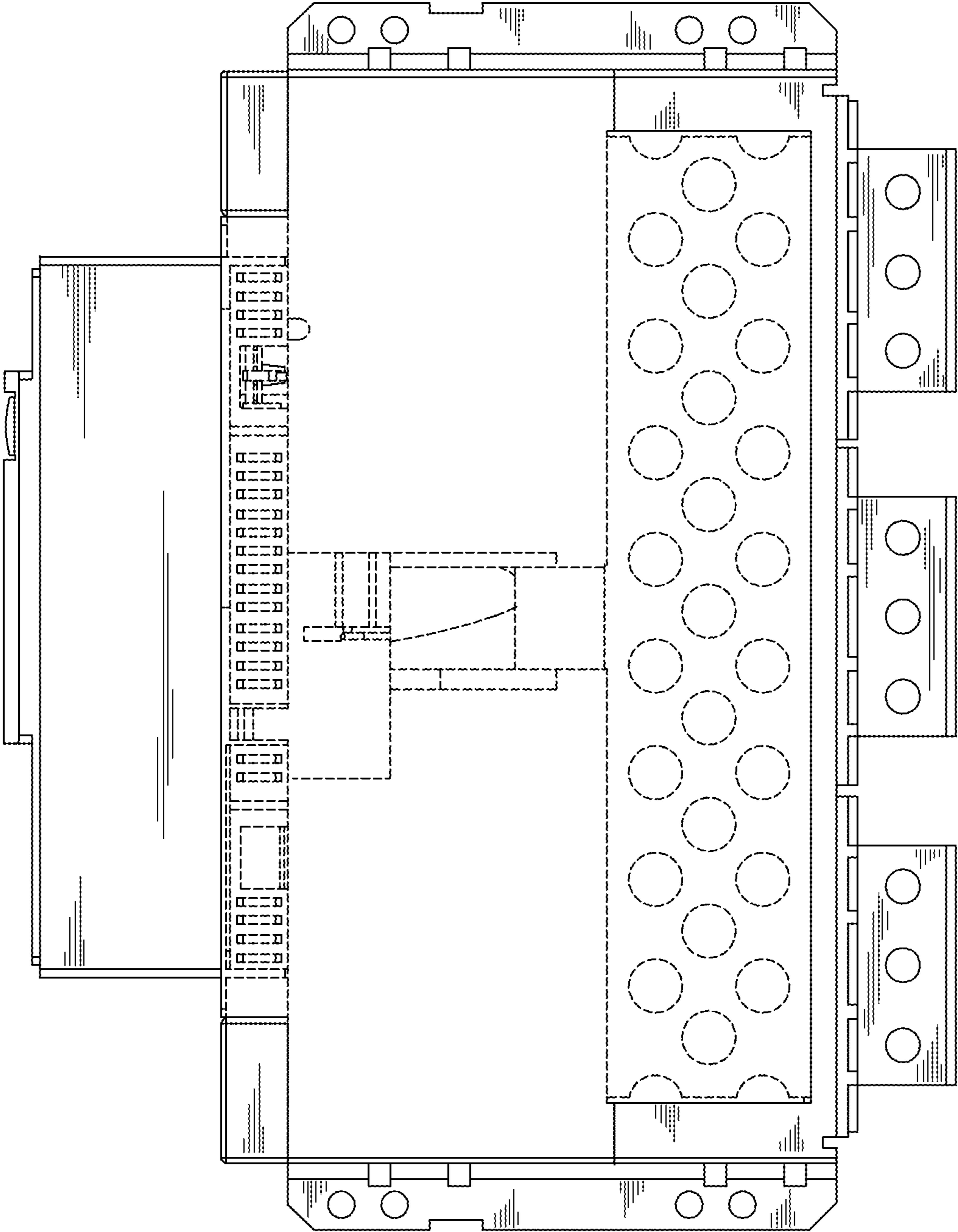


FIG. 4

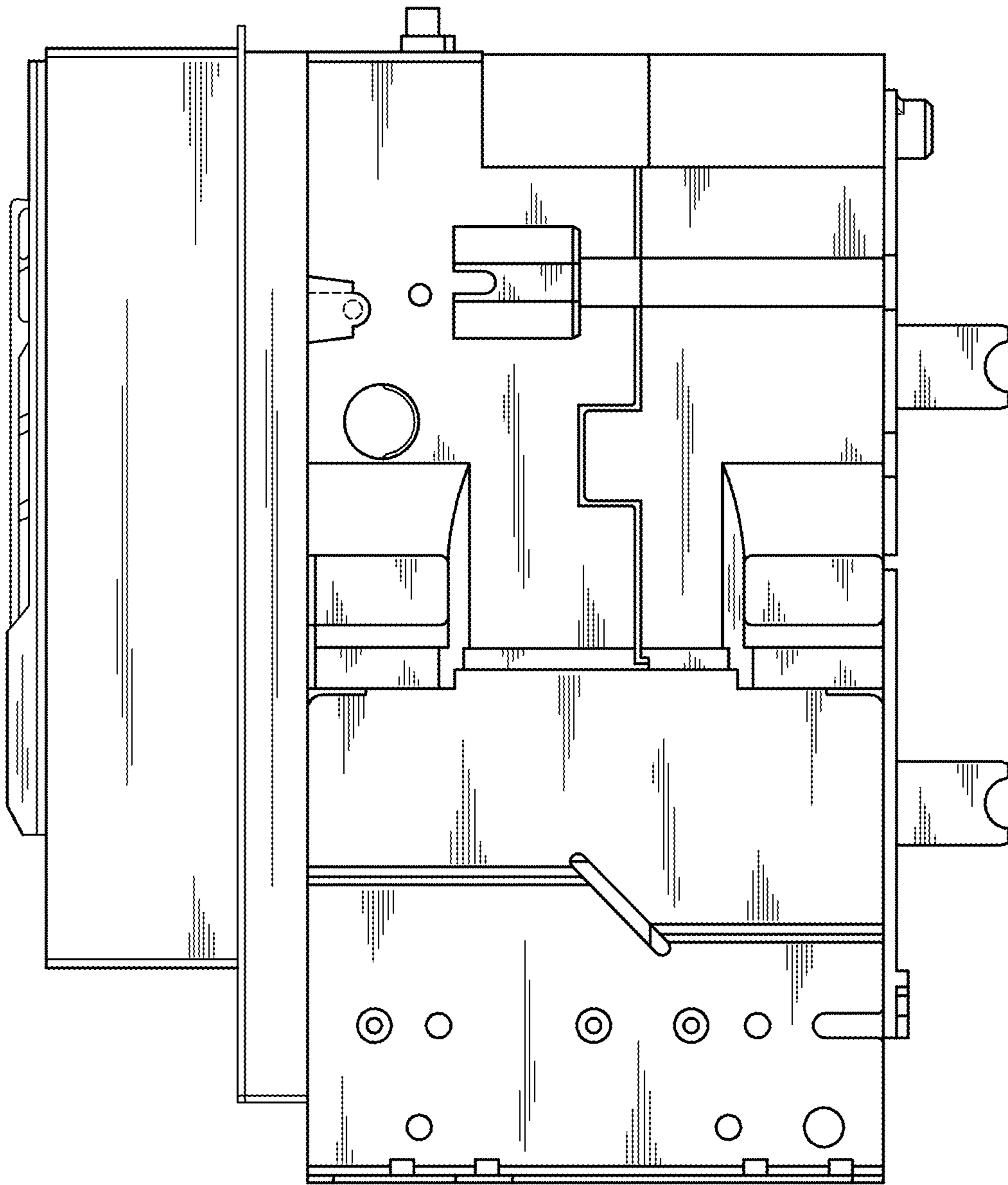


FIG.5

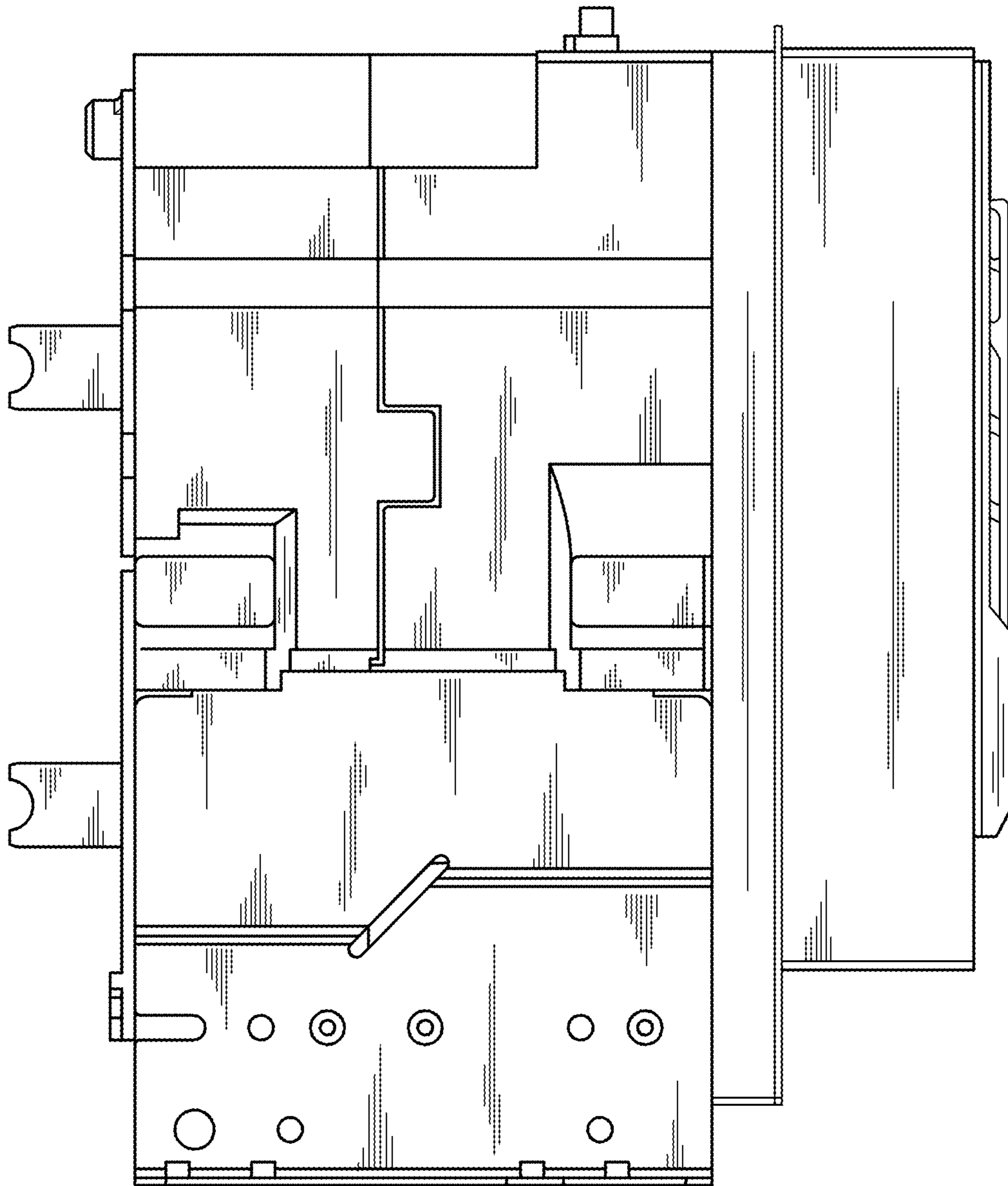


FIG. 6

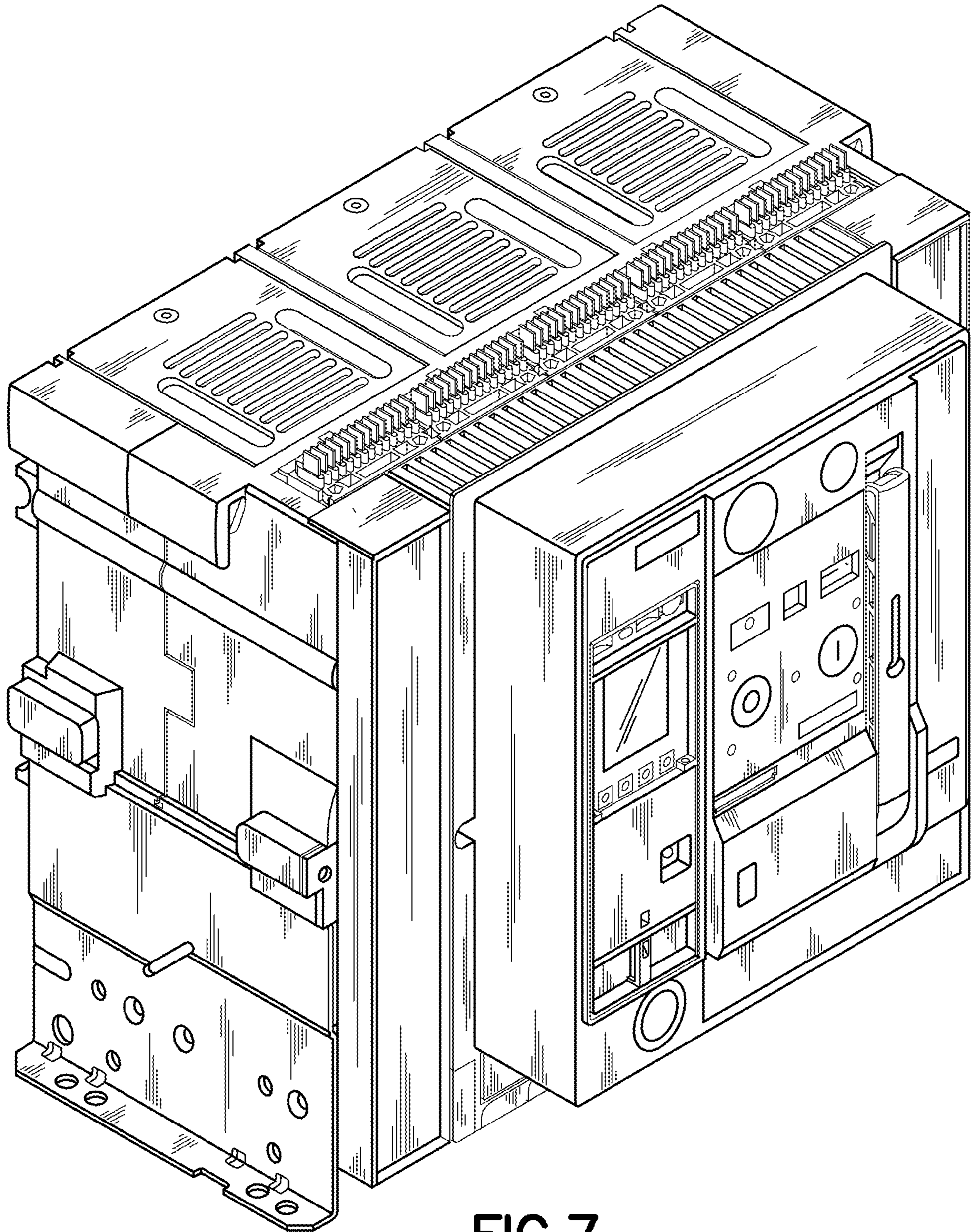


FIG.7