



US00D959385S

(12) **United States Design Patent** (10) **Patent No.:** **US D959,385 S**  
**Klein** (45) **Date of Patent:** **\*\* Aug. 2, 2022**

(54) **GRIPPED WIRE CONNECTOR WITH OVAL BUMPS**

(71) Applicant: **John E. Klein**, Chandler, AZ (US)

(72) Inventor: **John E. Klein**, Chandler, AZ (US)

(\*\*) Term: **15 Years**

(21) Appl. No.: **29/736,412**

(22) Filed: **May 29, 2020**

(51) **LOC (13) Cl.** ..... **13-03**

(52) **U.S. Cl.**  
USPC ..... **D13/150**

(58) **Field of Classification Search**  
USPC ..... D13/103, 118-120, 123, 133, 146, 147,  
D13/149, 150, 154, 184, 199; D9/452,  
D9/453; D19/194  
CPC ... H01R 4/00; H01R 4/12; H01R 4/22; H01R  
4/48; H01R 43/04; H02G 15/04; H02G  
15/08

See application file for complete search history.

(56) **References Cited**

**U.S. PATENT DOCUMENTS**

|               |         |              |       |                     |
|---------------|---------|--------------|-------|---------------------|
| D126,574 S *  | 4/1941  | Deibel       | ..... | D26/113             |
| D175,257 S *  | 8/1955  | Hopkins      | ..... | D9/449              |
| D190,583 S *  | 6/1961  | Schinske     | ..... | D13/150             |
| 3,483,310 A * | 12/1969 | Krup         | ..... | H01R 4/22<br>174/87 |
| D233,992 S *  | 12/1974 | Marr         | ..... | D13/150             |
| D310,969 S *  | 10/1990 | Butler       | ..... | D9/453              |
| D321,861 S *  | 11/1991 | Wennemar     | ..... | D13/150             |
| D330,011 S *  | 10/1992 | Miller       | ..... | D13/150             |
| D338,159 S *  | 8/1993  | Densky       | ..... | D9/453              |
| 5,315,066 A * | 5/1994  | Spiteri, Sr. | ..... | H01R 4/22<br>174/87 |
| 5,910,643 A * | 6/1999  | Laine        | ..... | H01R 4/22<br>174/87 |
| D426,439 S *  | 6/2000  | Hames        | ..... | D8/40               |

|              |        |                |       |         |
|--------------|--------|----------------|-------|---------|
| D471,234 S * | 3/2003 | Okutani        | ..... | D19/194 |
| 6,677,530 B2 | 1/2004 | Blaha et al.   |       |         |
| D503,684 S * | 4/2005 | Popovici       | ..... | D13/150 |
| D523,821 S   | 6/2006 | Michaud et al. |       |         |
| D537,416 S * | 2/2007 | Fortin         | ..... | D13/156 |
| 7,365,270 B2 | 4/2008 | Michaud et al. |       |         |

(Continued)

**OTHER PUBLICATIONS**

175PCS Electrical Wire Connectors Screw Terminals, dated Mar. 26, 2019, [online], [site visited Aug. 13, 2021]. Available from Internet, URL: <https://www.amazon.com/Electrical-Connectors-Terminals-Connection-Assortment/dp/B07KFD6LBR/> (Year: 2019).\*

(Continued)

*Primary Examiner* — Shawn T Gingrich  
(74) *Attorney, Agent, or Firm* — Booth Udall Fuller, PLC; Kenneth C. Booth

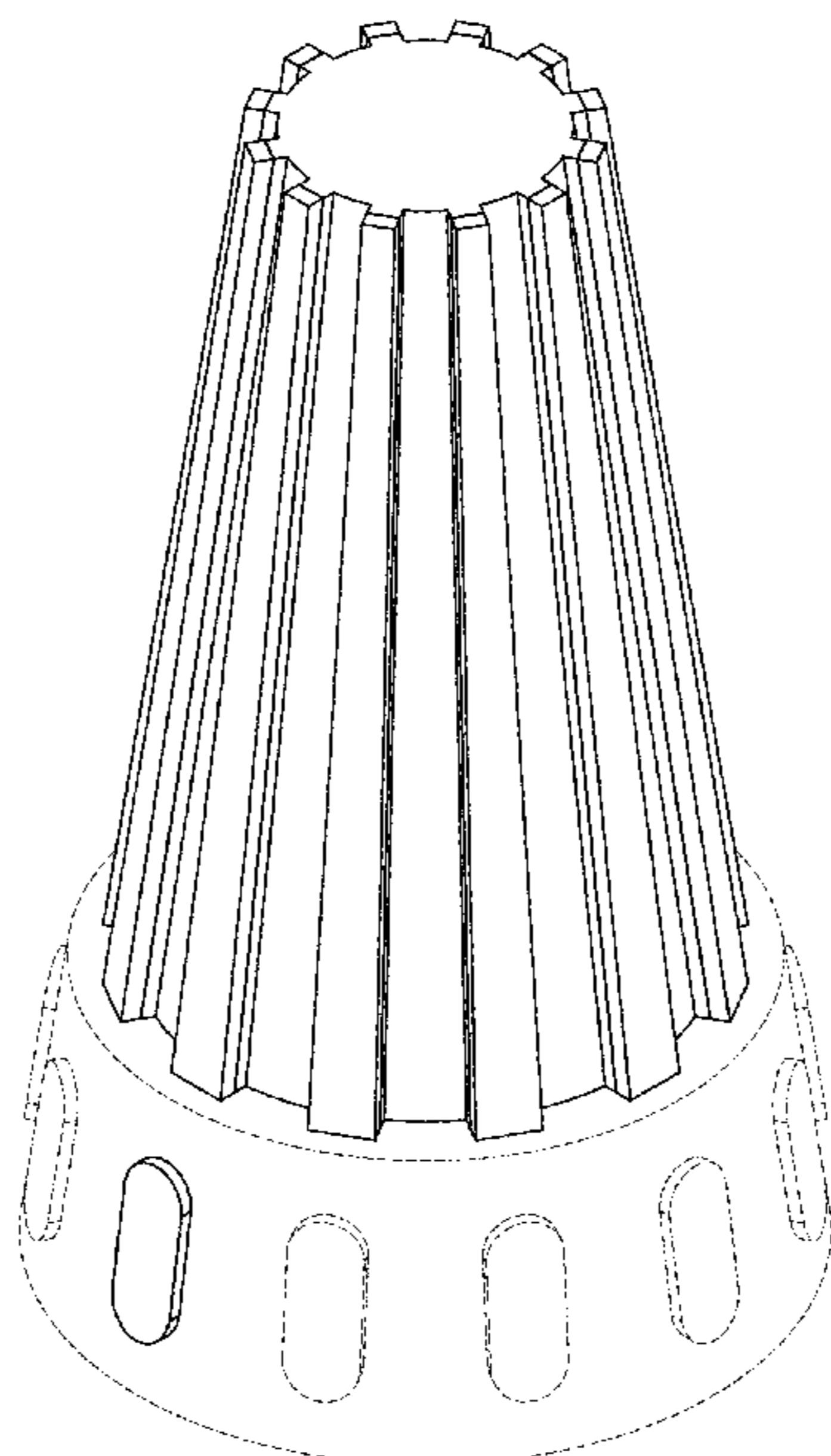
(57) **CLAIM**

I claim the ornamental design for a gripped wire connector with oval bumps, as shown and described.

**DESCRIPTION**

FIG. 1 is a front view for a gripped wire connector with oval bumps;  
FIG. 2 is a right side view thereof;  
FIG. 3 is a left side view thereof;  
FIG. 4 is a top view thereof;  
FIG. 5 is a bottom view thereof;  
FIG. 6 is a back view thereof;  
FIG. 7 is a front perspective view thereof;  
FIG. 8 is a rear perspective view thereof; and,  
FIG. 9 is a cross-sectional view thereof taken along section lines FIG. 9-FIG. 9 of FIG. 1.  
The broken lines in the figures represent portions of the article which form no part of the claimed design.

**1 Claim, 9 Drawing Sheets**



(56)

**References Cited**

U.S. PATENT DOCUMENTS

|                   |         |                |                      |
|-------------------|---------|----------------|----------------------|
| 8,525,026 B1 *    | 9/2013  | Rhea .....     | H01R 43/00<br>174/87 |
| 9,017,112 B1 *    | 4/2015  | Knowles .....  | H01R 4/22<br>439/750 |
| D732,389 S *      | 6/2015  | Nickel .....   | D9/453               |
| 9,391,388 B1 *    | 7/2016  | King, Jr. .... | H01R 4/22            |
| D777,111 S *      | 1/2017  | Zantout .....  | D13/150              |
| D904,189 S *      | 12/2020 | Twede .....    | D9/453               |
| 2010/0018741 A1 * | 1/2010  | Rhea .....     | H01R 4/22<br>174/87  |

OTHER PUBLICATIONS

Standard Wire Connector, Assortment (30-Pack), dated Feb. 5, 2019, [online], [site visited Aug. 13, 2021]. Available from Internet, URL: <https://www.homedepot.com/p/Commercial-Electric-Standard-Wire-Connector-Assortment-30-Pack-778128/302686297> (Year: 2019).\*

CLD Wire Connectors, dated Jul. 23, 2017, [online], [site visited Aug. 13, 2021]. Available from Internet, URL: <http://cldinc.ca/screw-on-wire-connectors> (Year: 2017).\*

Twister® ProfLEX™ Wire Connector, Model 347 Red/Yellow: <https://idealind.com/shop/twister-prof-flex-347-box-of-50.html>.

\* cited by examiner

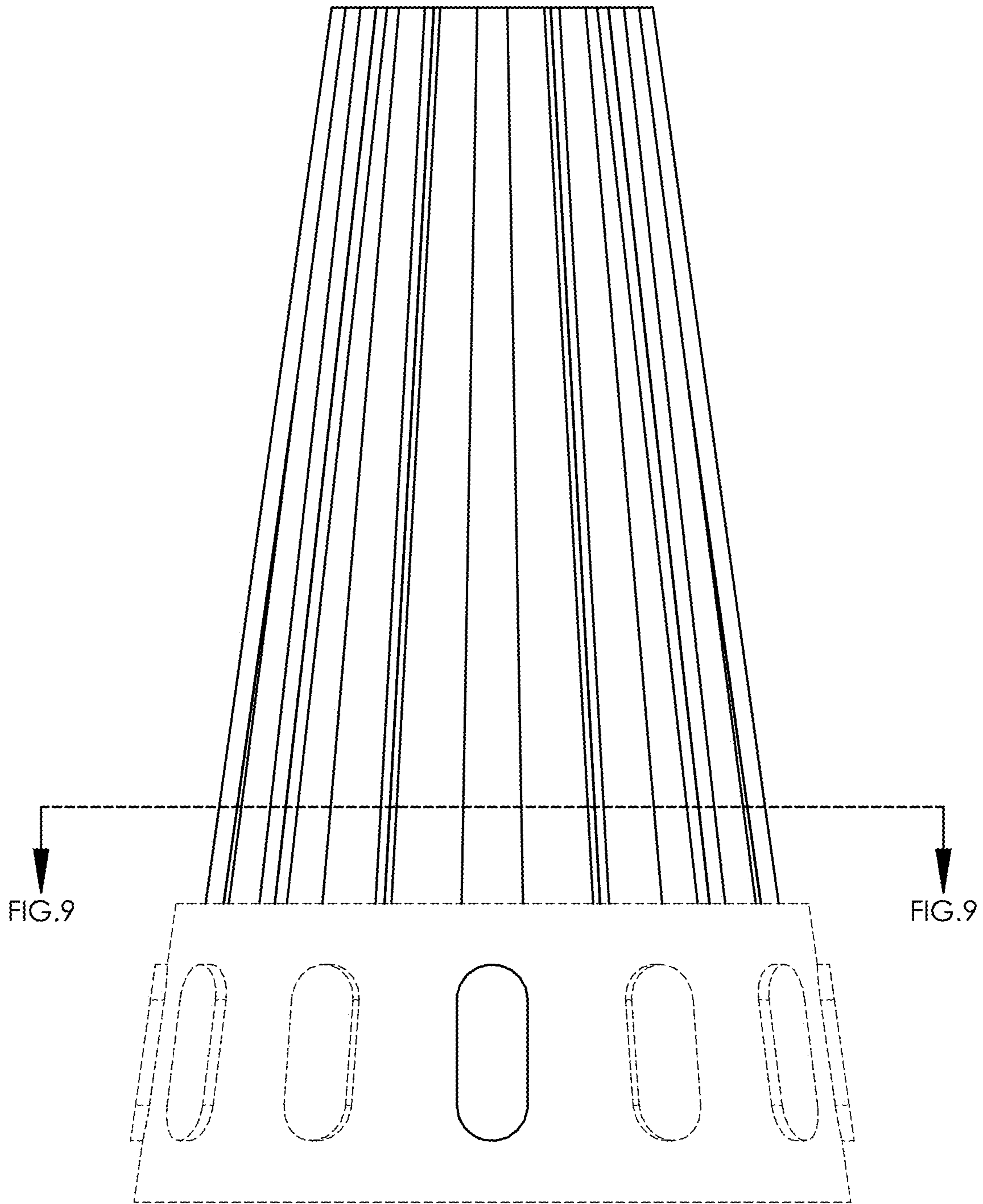


FIG. 1

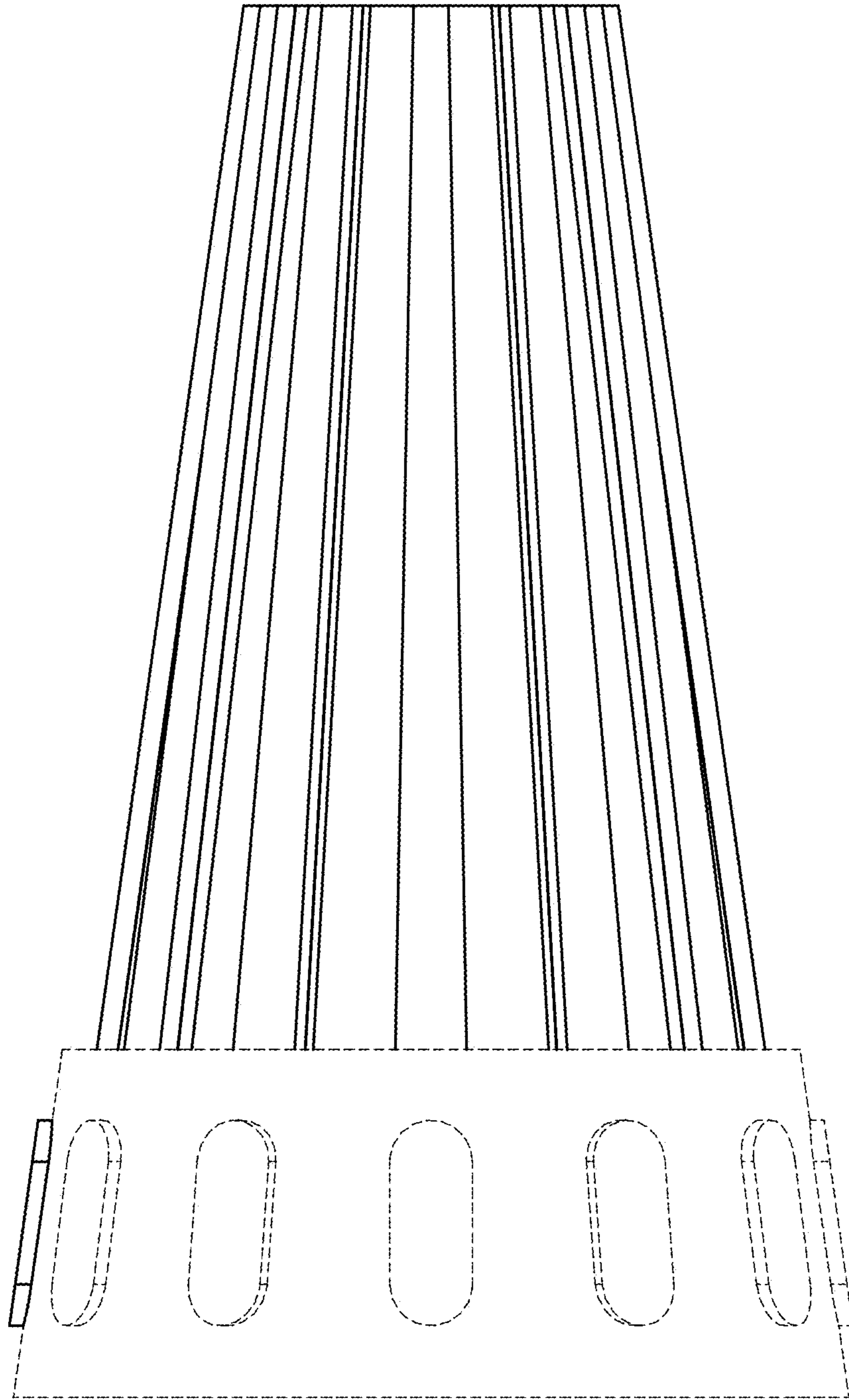


FIG. 2

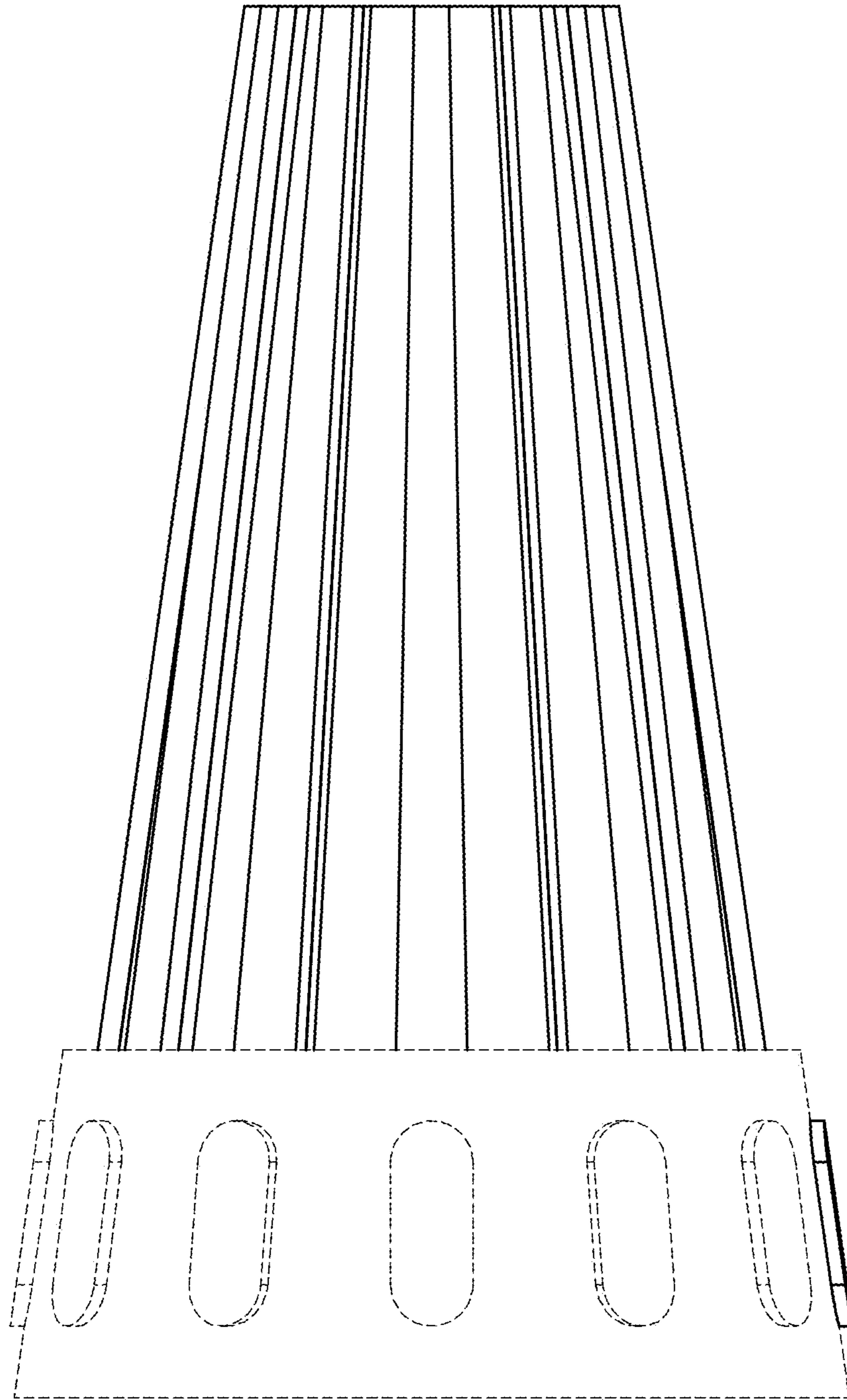


FIG. 3



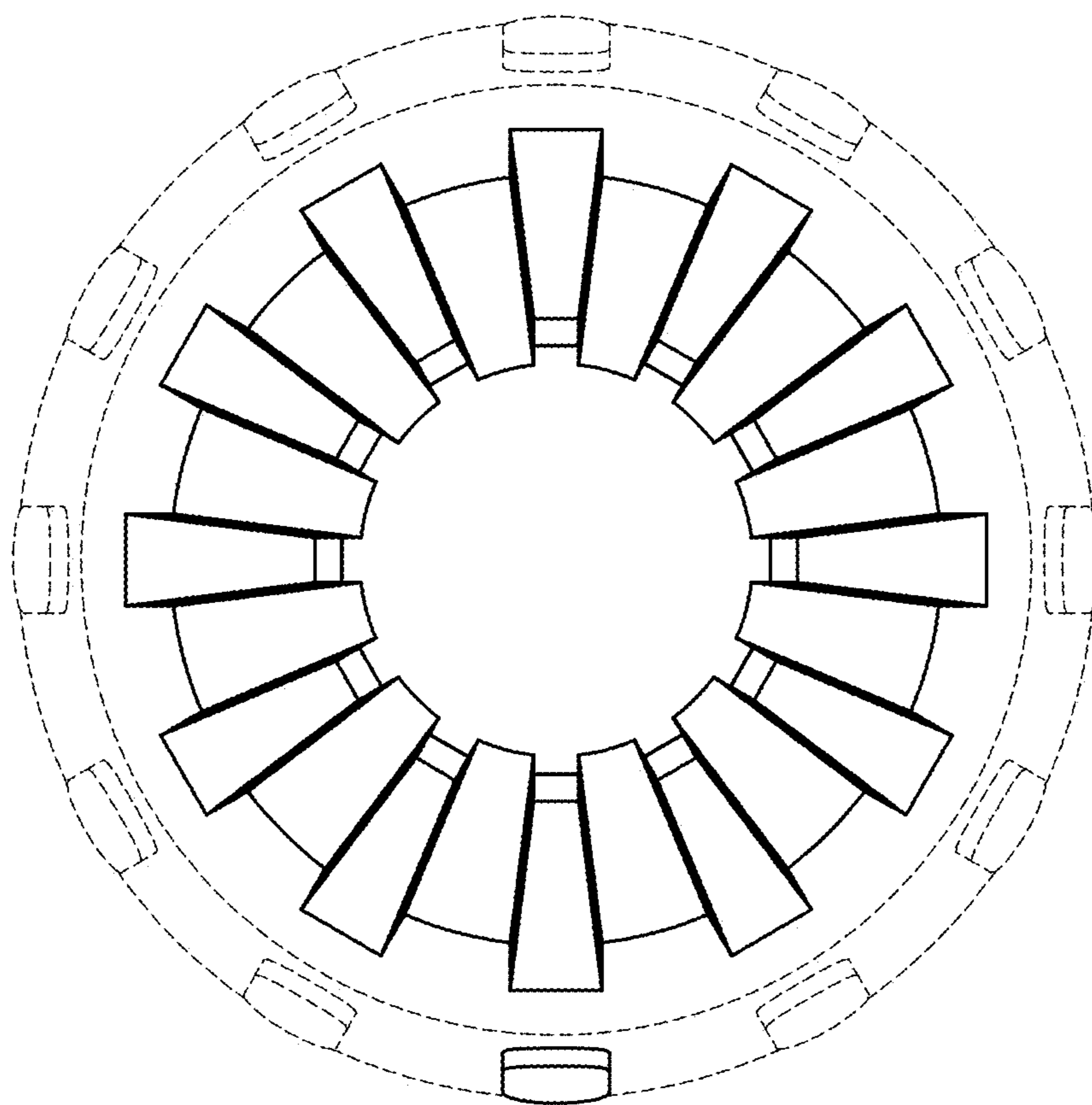


FIG. 4

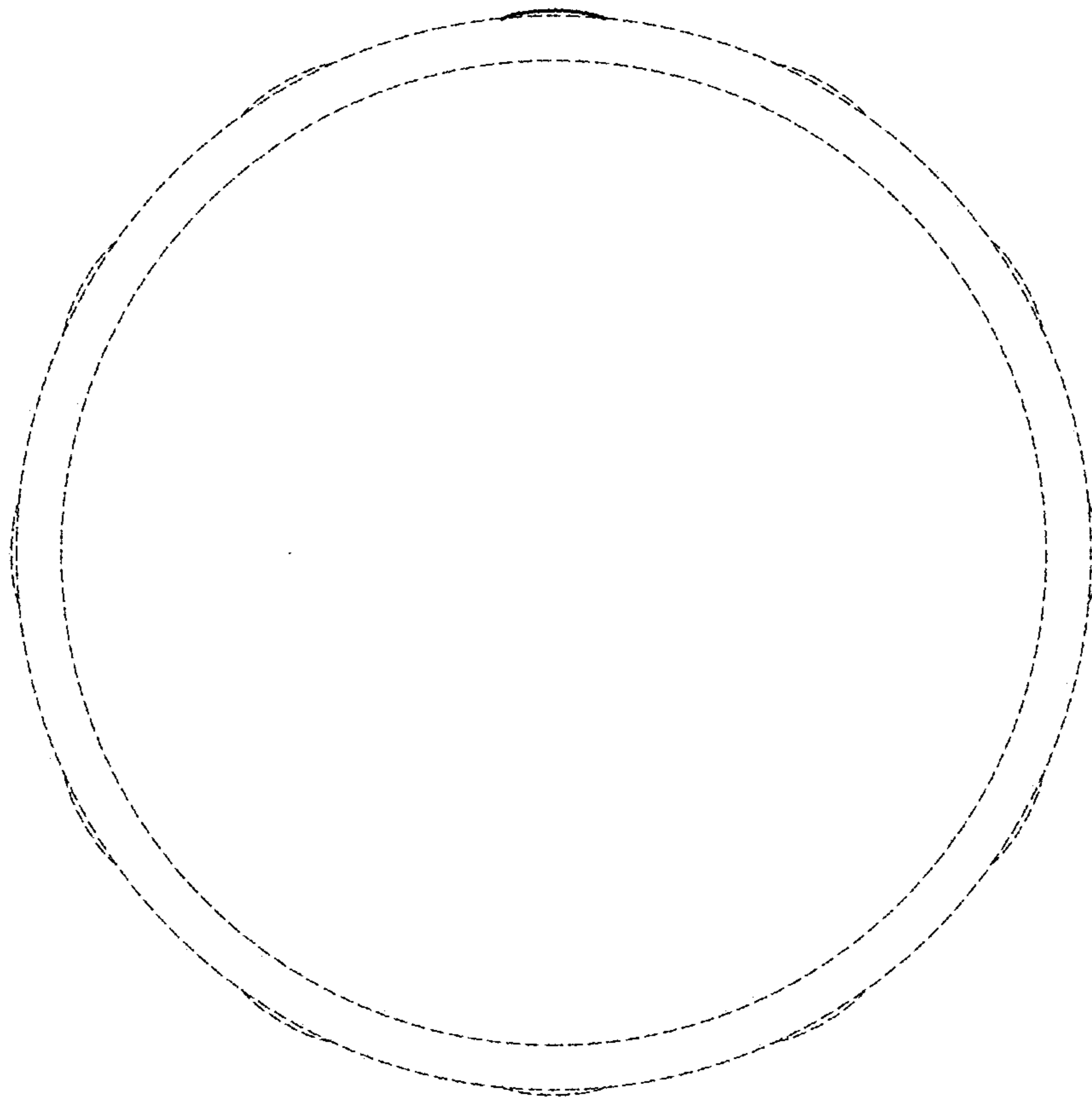


FIG. 5

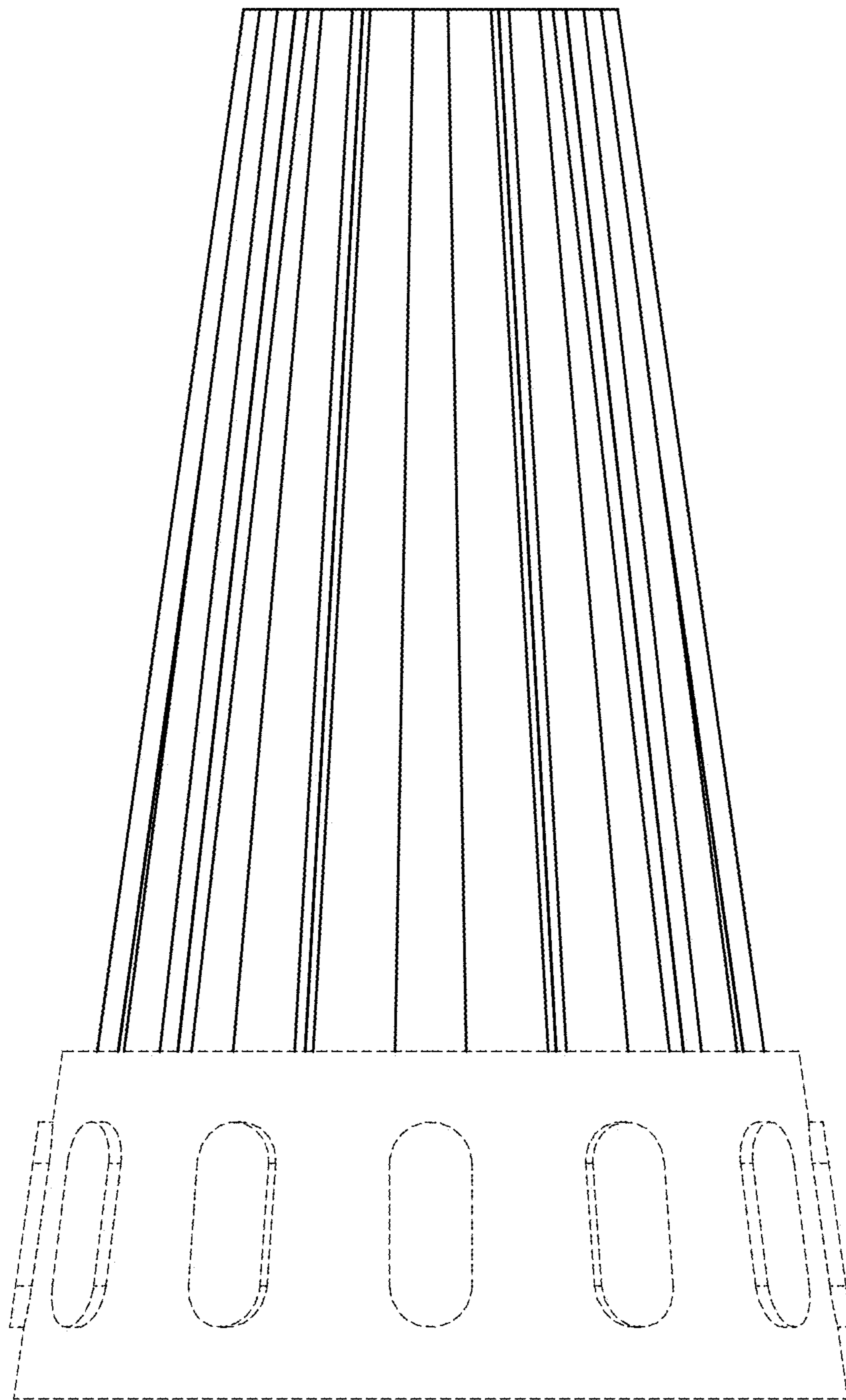


FIG. 6



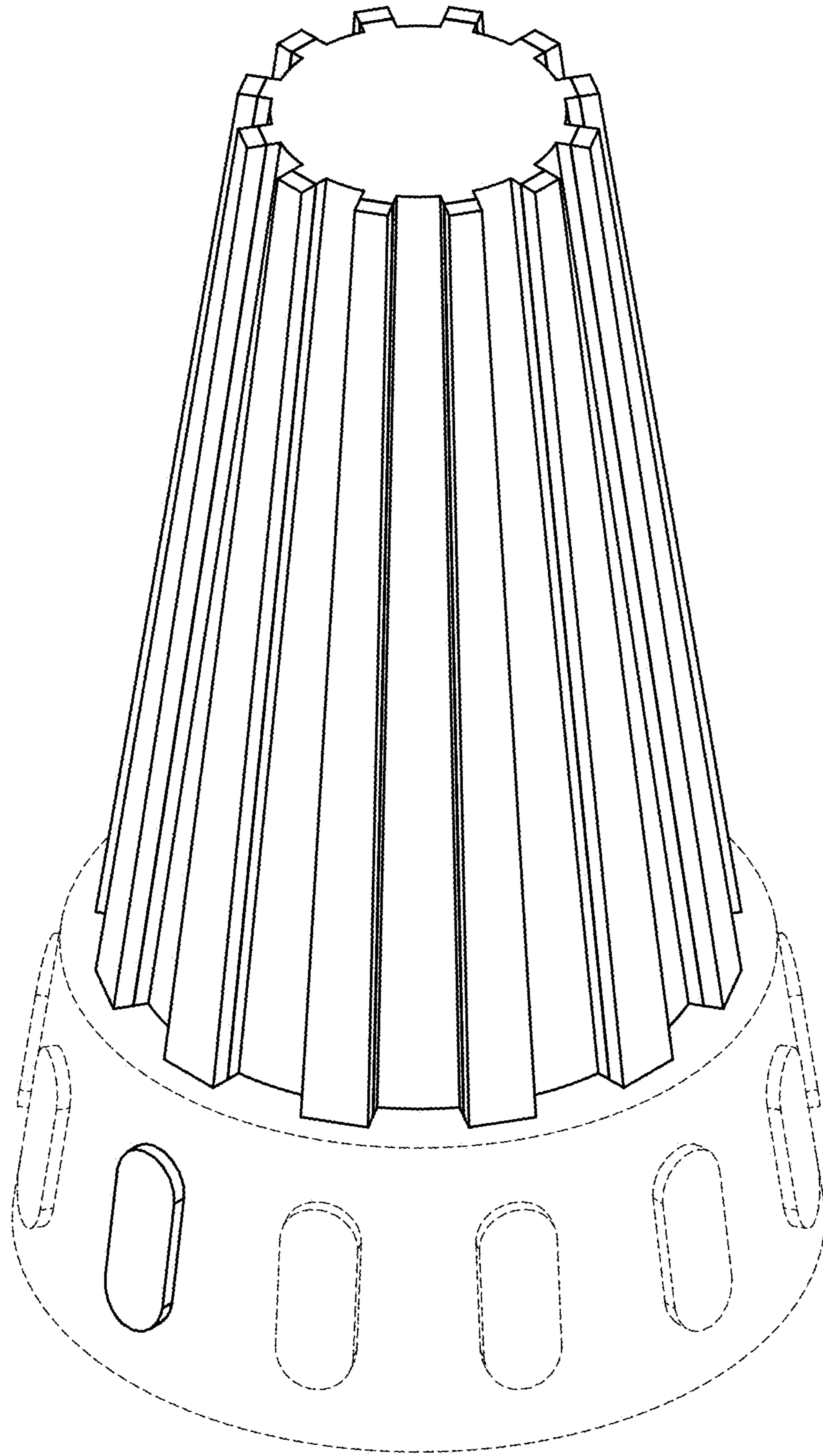


FIG. 7

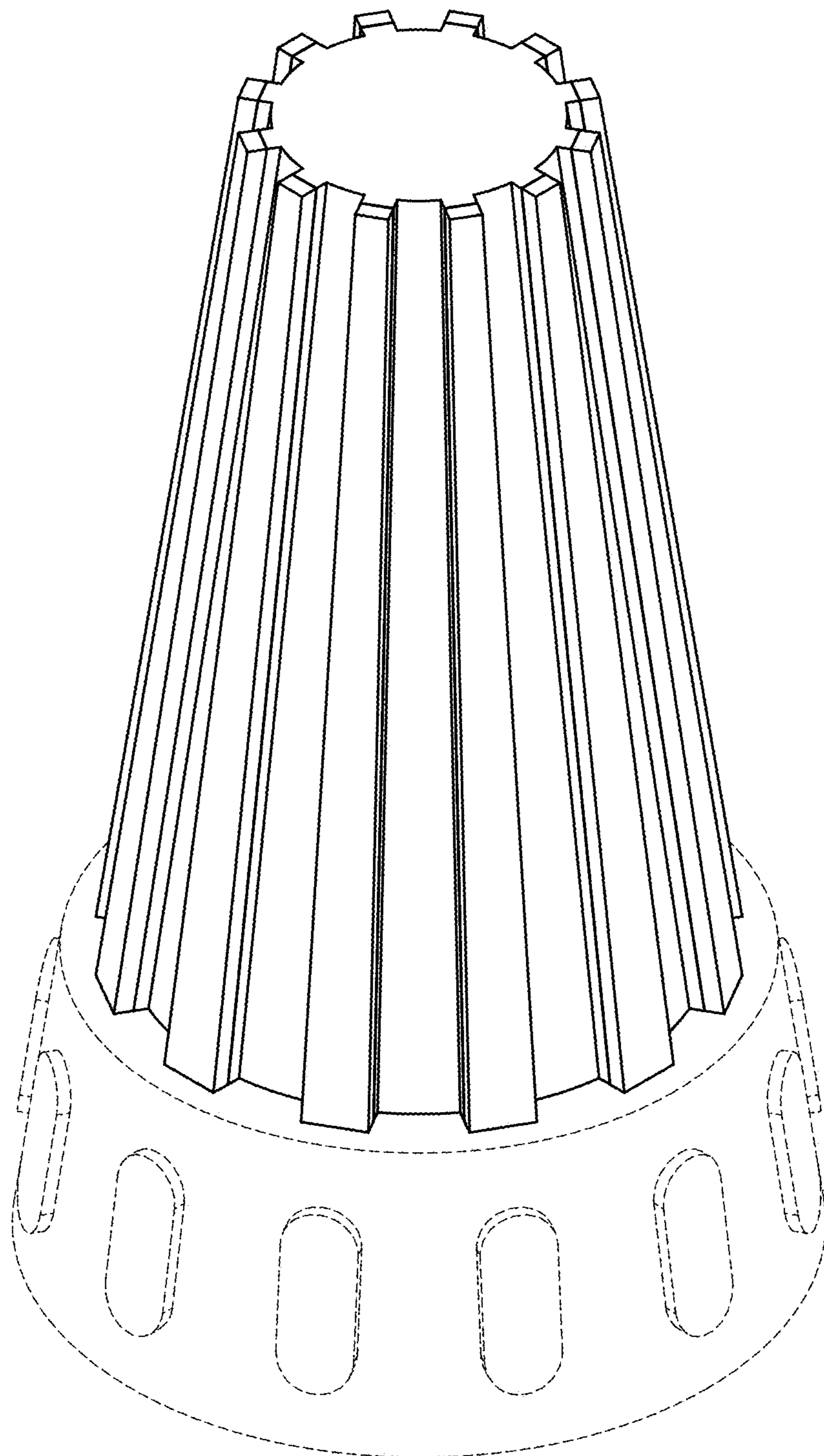


FIG. 8

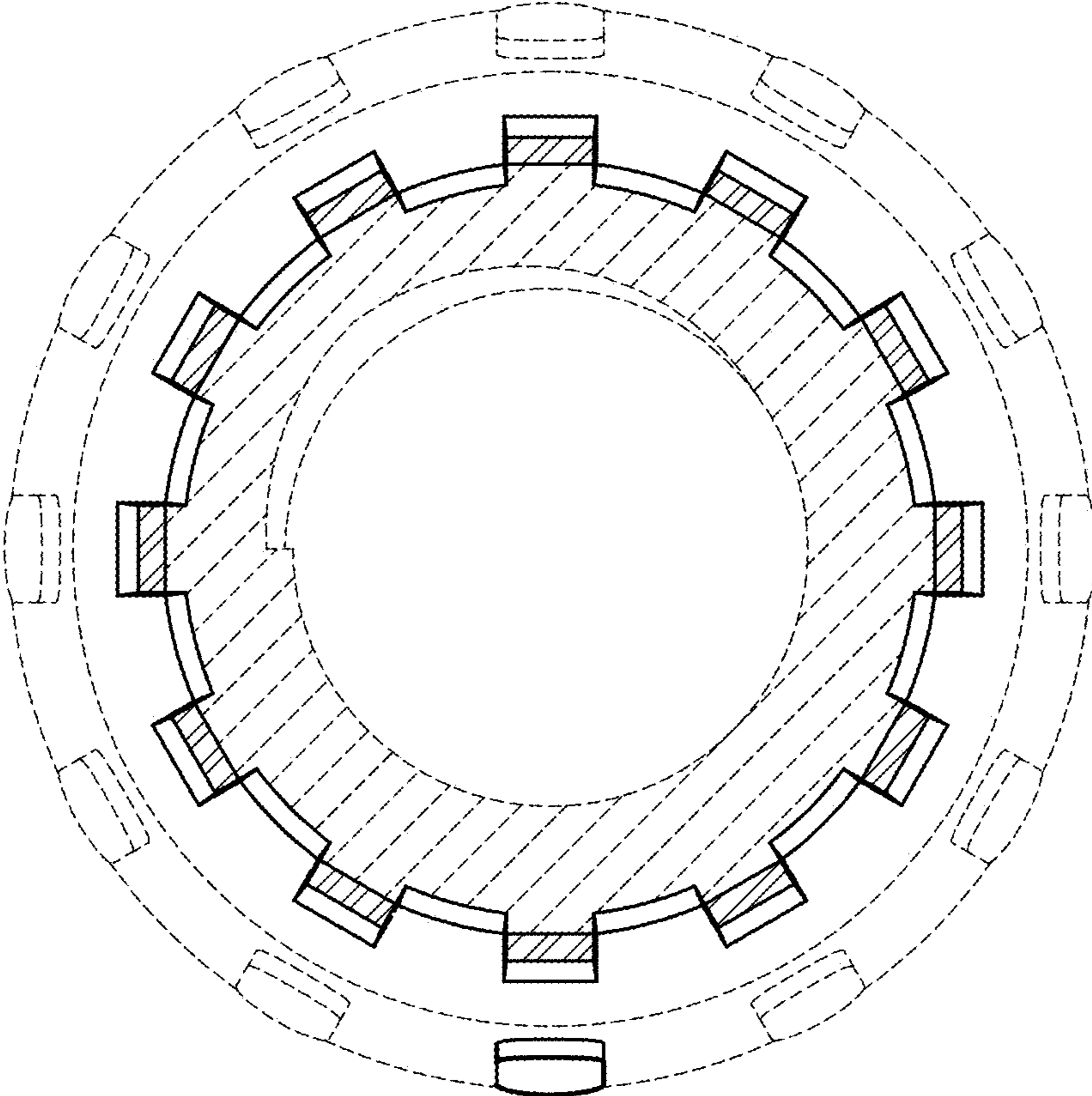


FIG. 9