



US00D959381S

(12) **United States Design Patent**
Yamamoto et al.

(10) **Patent No.:** **US D959,381 S**

(45) **Date of Patent:** **** Aug. 2, 2022**

(54) **CONNECTOR HOUSING**

(71) Applicant: **Japan Aviation Electronics Industry, Limited, Tokyo (JP)**

(72) Inventors: **Hirotsugu Yamamoto, Tokyo (JP); Ting Wang, Hong Kong (CN)**

(73) Assignee: **JAPAN AVIATION ELECTRONICS INDUSTRY, LIMITED, Tokyo (JP)**

(**) Term: **15 Years**

(21) Appl. No.: **29/764,849**

(22) Filed: **Jan. 4, 2021**

(30) **Foreign Application Priority Data**

Jul. 7, 2020 (JP) 2020-013808 D

(51) **LOC (13) Cl.** **13-03**

(52) **U.S. Cl.**
USPC **D13/147; D13/133**

(58) **Field of Classification Search**
USPC D13/119-120, 133-134, 146-147, 149,
D13/153-154, 174, 182, 199; D14/433
CPC H01R 12/57; H01R 13/521; H01R 13/631;
H01R 13/639; H01R 13/6272
See application file for complete search history.

(56) **References Cited**

U.S. PATENT DOCUMENTS

- 4,657,331 A * 4/1987 Coldren H01R 13/6272
439/571
- D314,755 S * 2/1991 Endo D13/147
- D323,645 S * 2/1992 Suzuki D13/147
- D324,849 S * 3/1992 Nagasaka D13/147
- D325,372 S * 4/1992 Taguchi D13/147
- 5,236,373 A * 8/1993 Kennedy H01R 13/639
439/352
- D464,321 S * 10/2002 Chen D13/147
- D560,169 S * 1/2008 Kudo D13/147

- D605,132 S * 12/2009 Tanaka D13/147
- D742,321 S * 11/2015 Endo D13/147
- D843,323 S * 3/2019 Endo D13/147
- 2002/0037661 A1 * 3/2002 Endo H01R 13/6272
439/352

(Continued)

Primary Examiner — Shawn T Gingrich

Assistant Examiner — Bryan N. Melvin

(74) *Attorney, Agent, or Firm* — Manabu Kanesaka

(57) **CLAIM**

The ornamental design for a connector housing, as shown and described.

DESCRIPTION

FIG. 1 is a front elevational view of a connector housing showing our new design;

FIG. 2 is a rear elevational view thereof;

FIG. 3 is a right side elevational view thereof;

FIG. 4 is a left side elevational view thereof;

FIG. 5 is a top plan view thereof;

FIG. 6 is a bottom plan view thereof;

FIG. 7 is a cross-sectional view thereof taken along a line 7-7 in FIG. 1;

FIG. 8 is a cross-sectional view thereof taken along a line 8-8 in FIG. 1;

FIG. 9 is a cross-sectional view thereof taken along a line 9-9 in FIG. 3;

FIG. 10 is a perspective view showing a front, top and right side thereof;

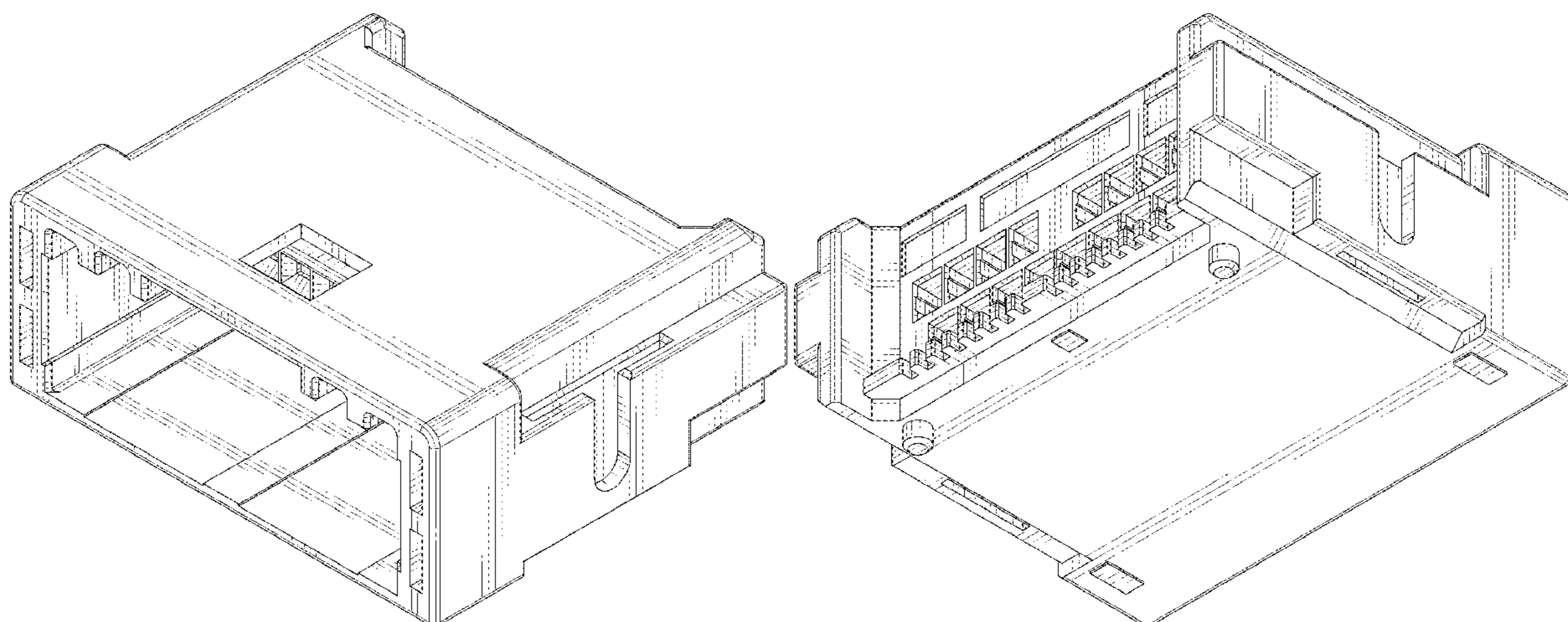
FIG. 11 is a perspective view showing a rear, bottom and left side thereof;

FIG. 12 is a perspective view showing a front, right and bottom side thereof; and,

FIG. 13 is a perspective view showing a rear, left and top side thereof.

The broken line showing of the connector housing is for the purpose of illustrating portions of the article and forms no part of the claimed design.

1 Claim, 8 Drawing Sheets



(56)

References Cited

U.S. PATENT DOCUMENTS

2002/0072265 A1* 6/2002 Chen H01R 13/6272
439/357

* cited by examiner

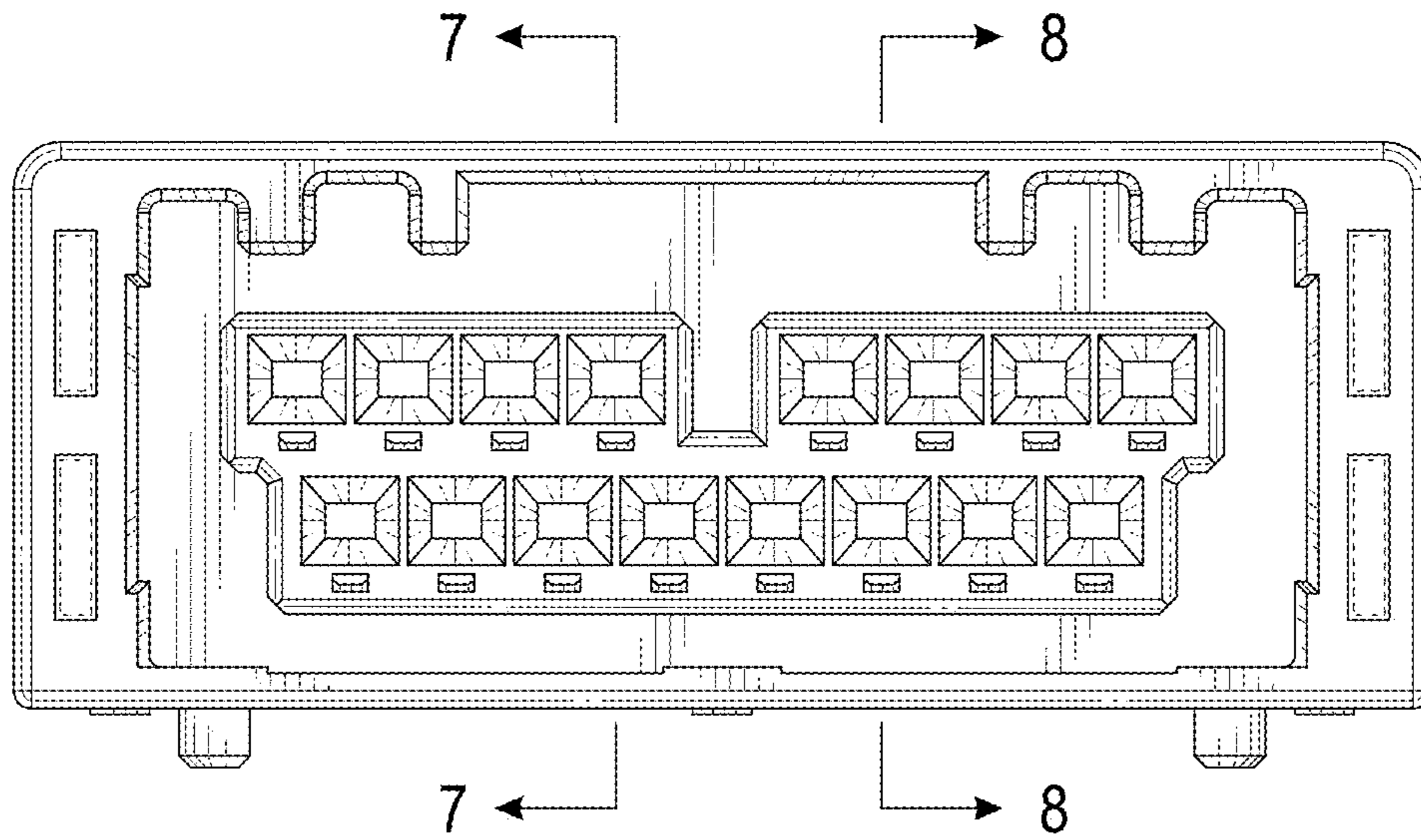


FIG. 1

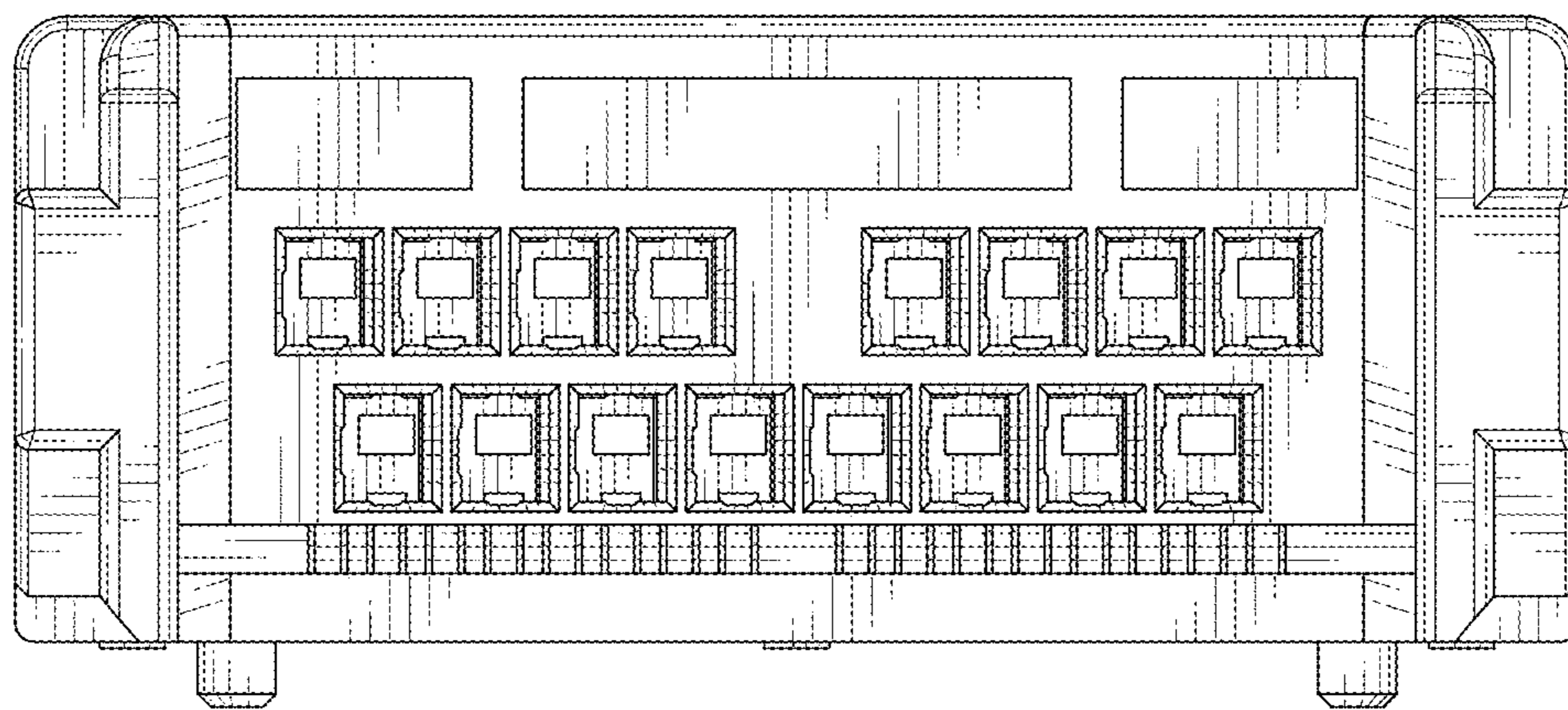


FIG. 2

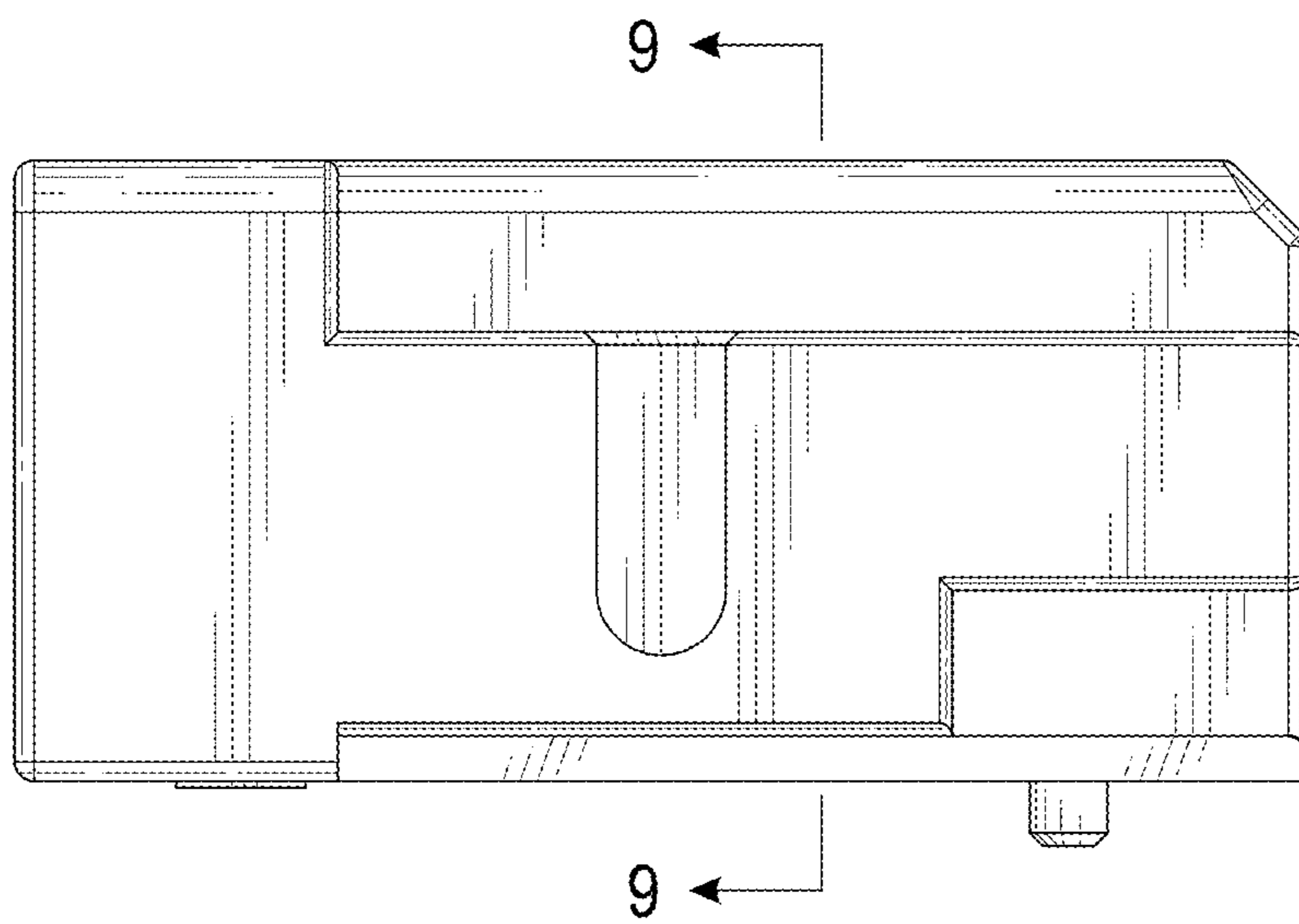


FIG. 3

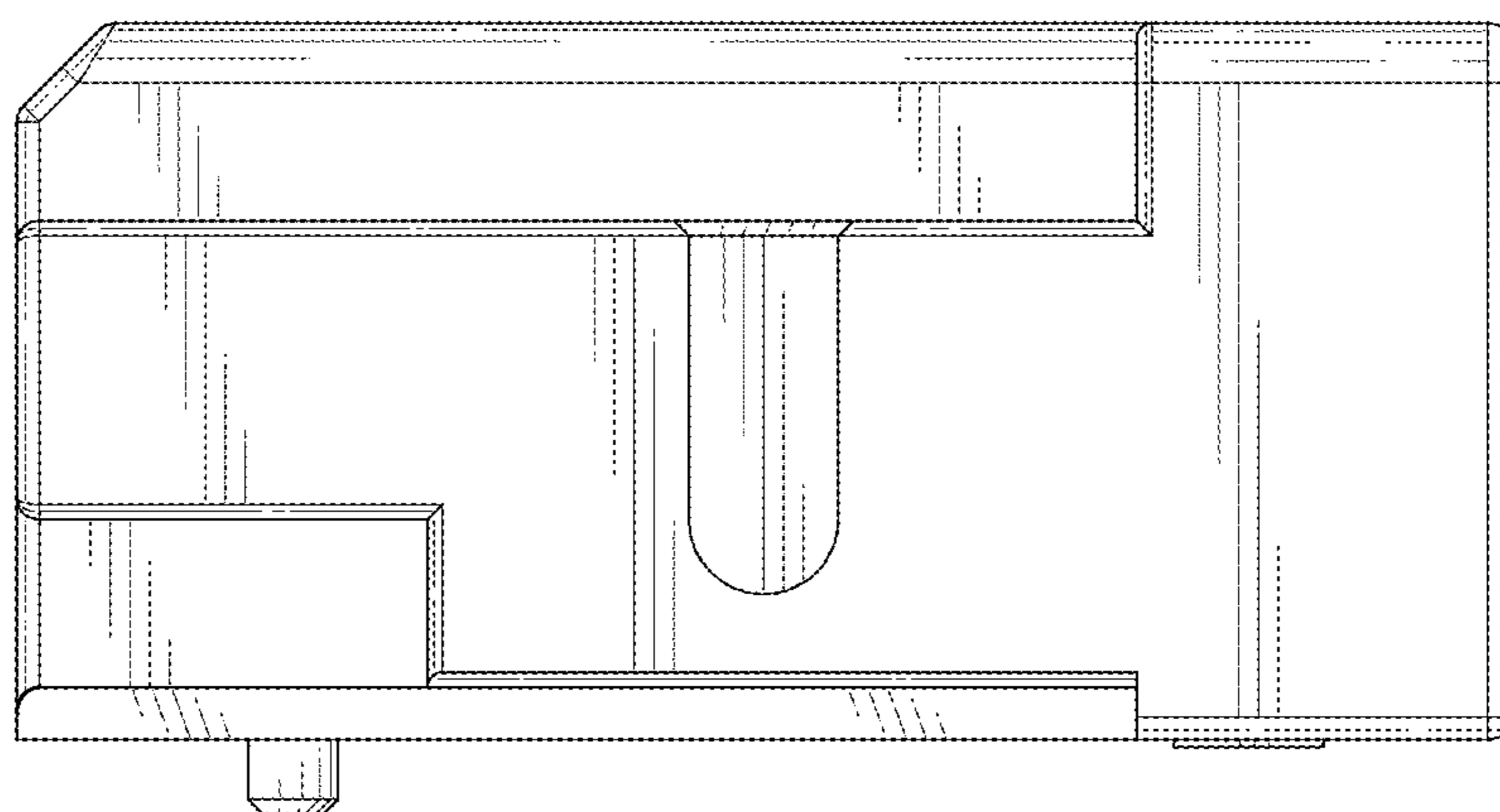


FIG. 4

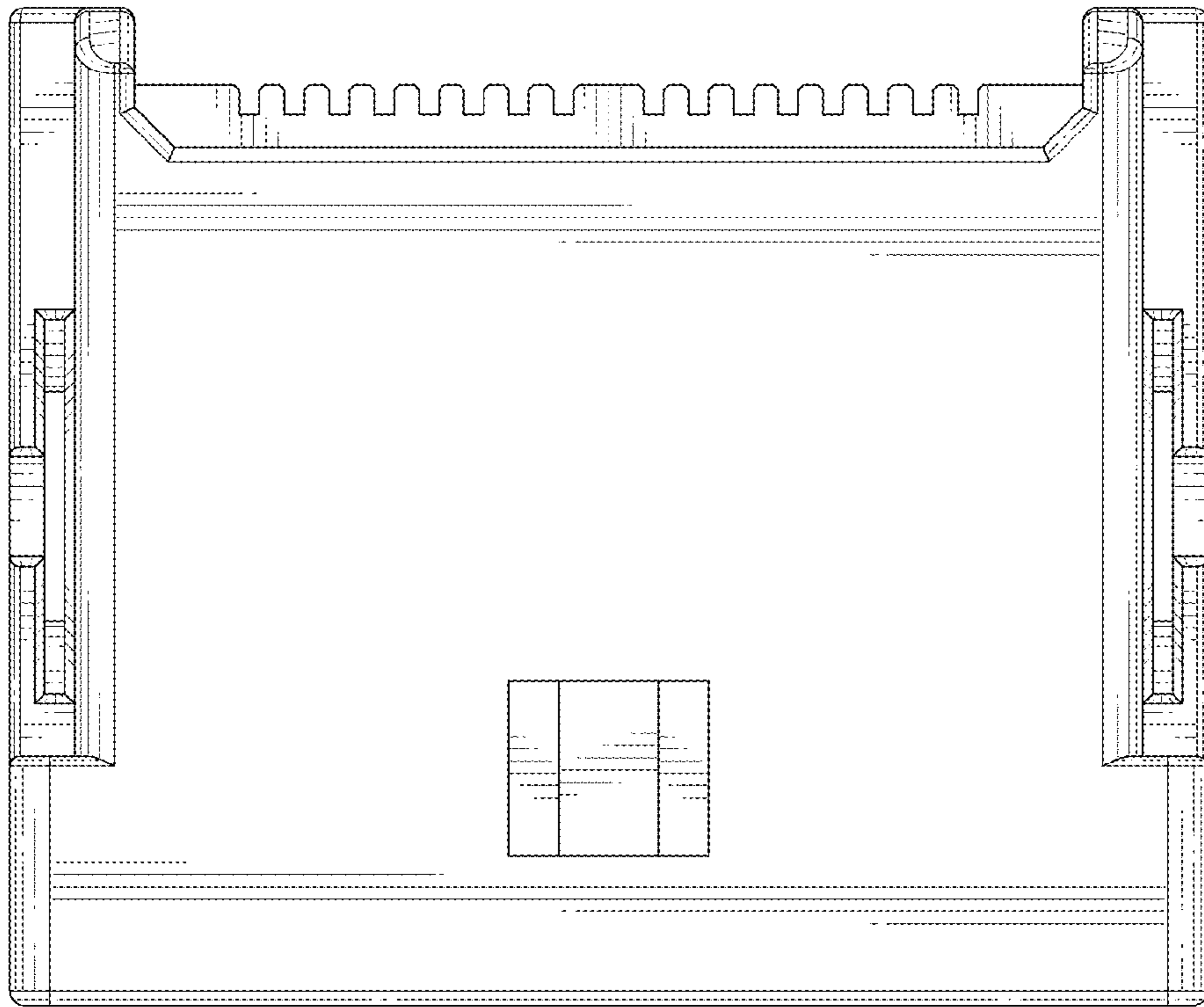


FIG. 5

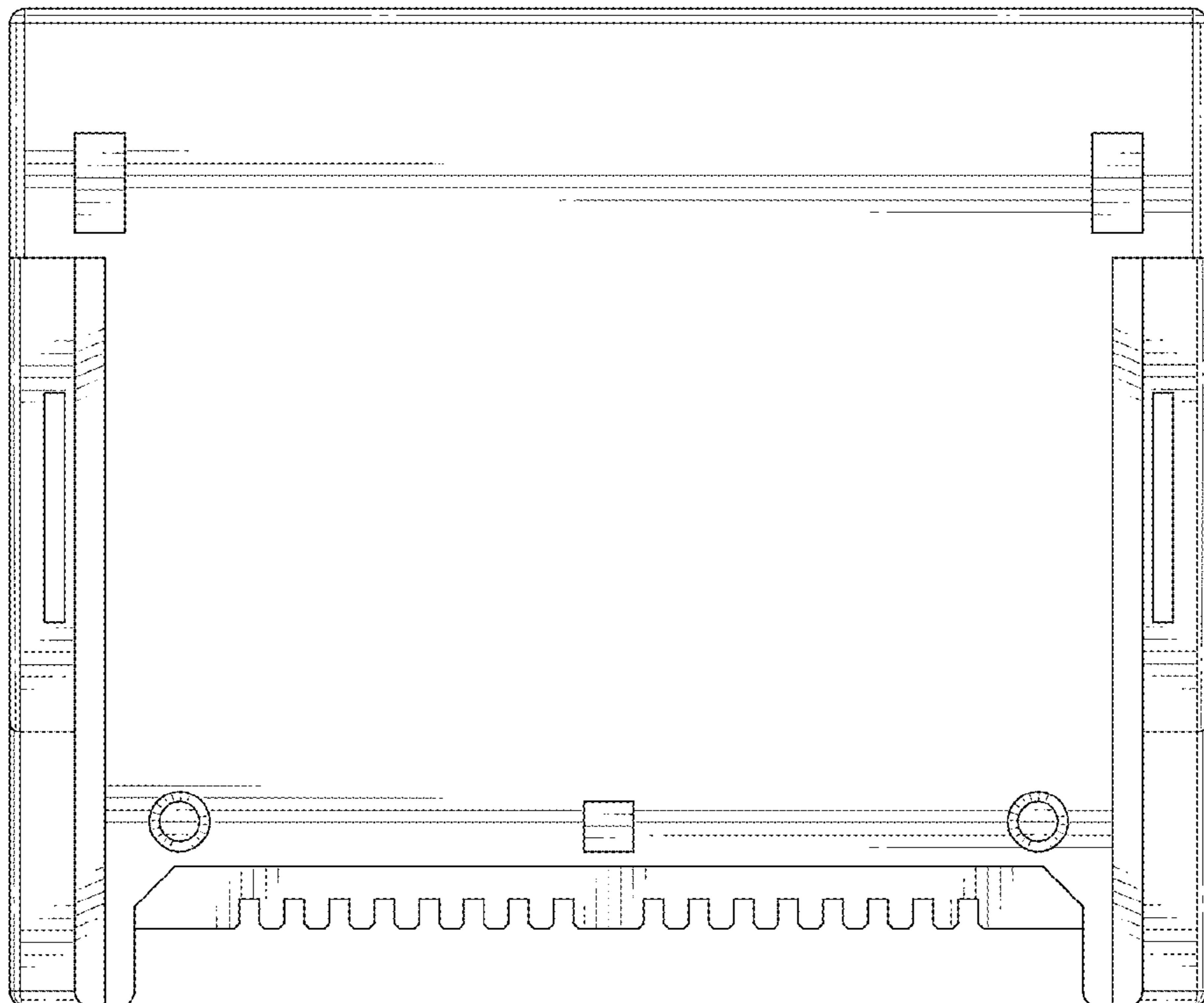


FIG. 6

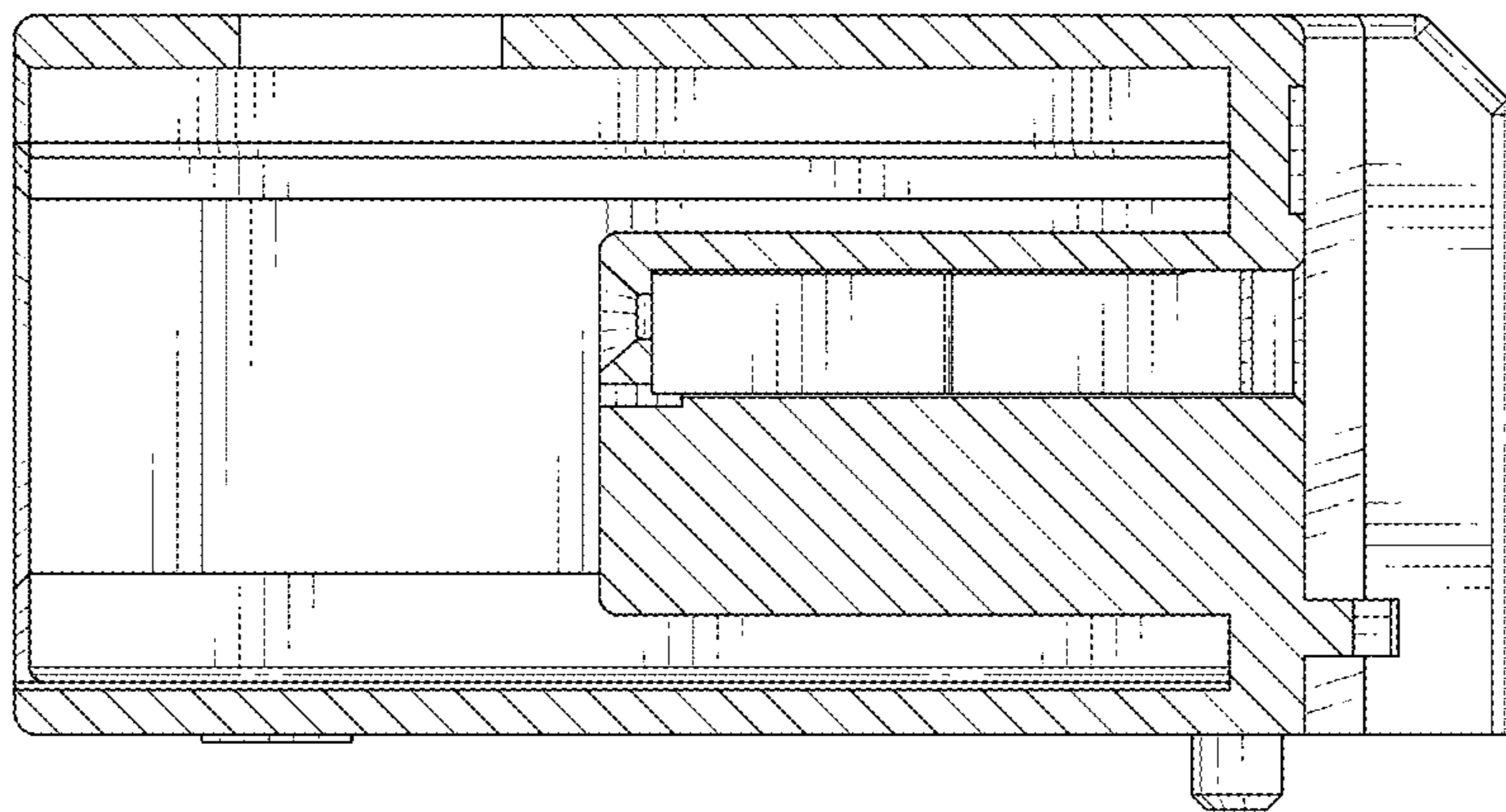


FIG. 7

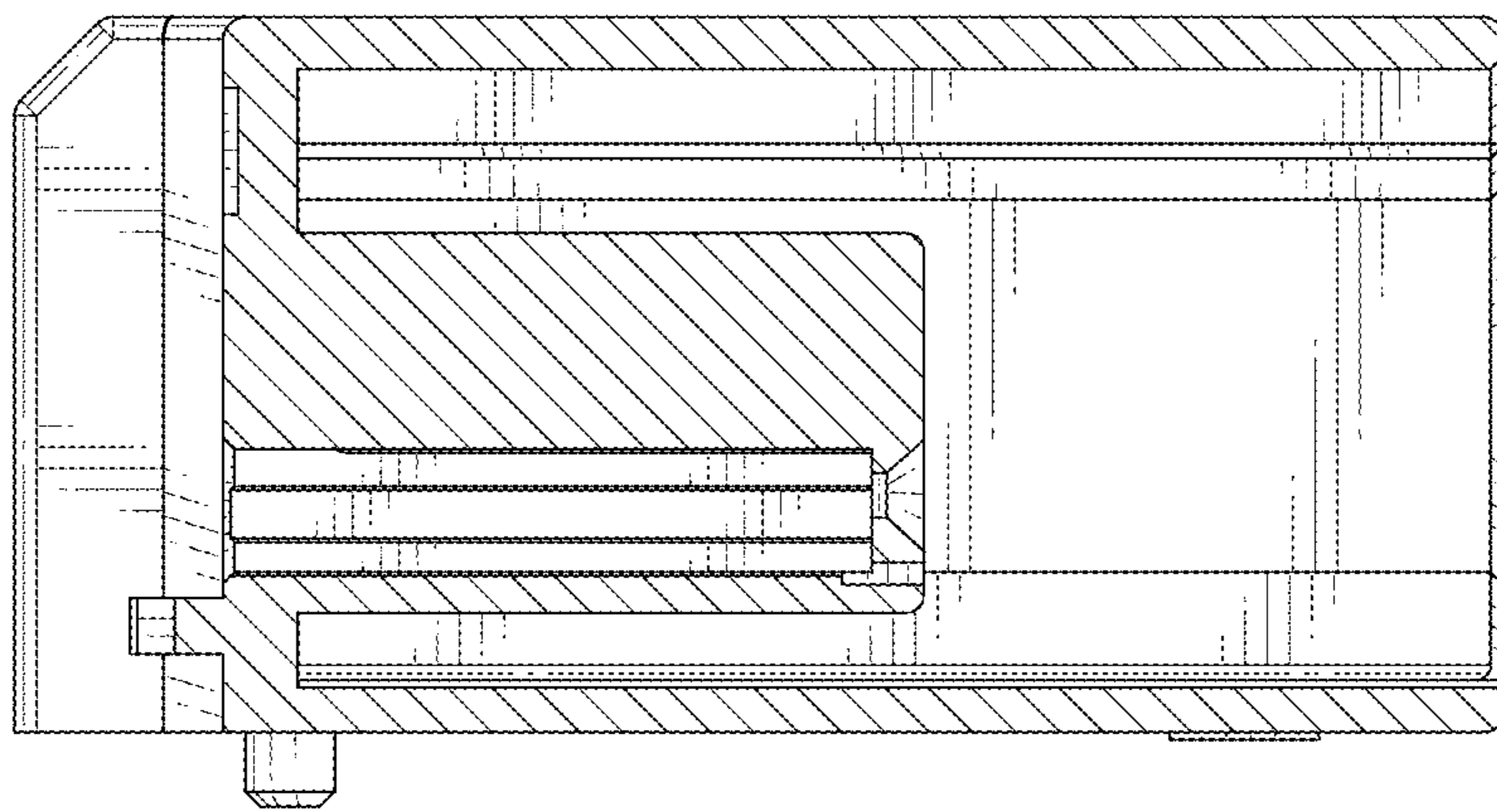


FIG. 8

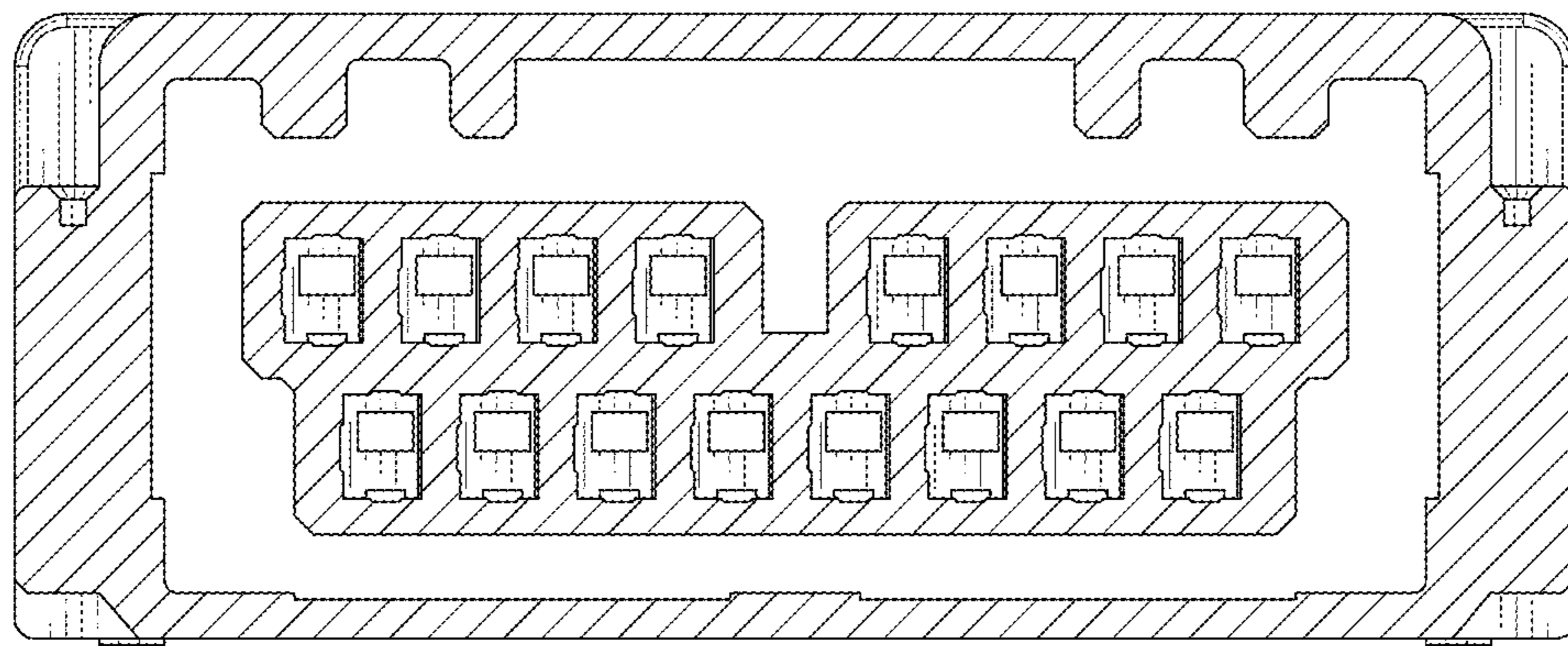


FIG. 9

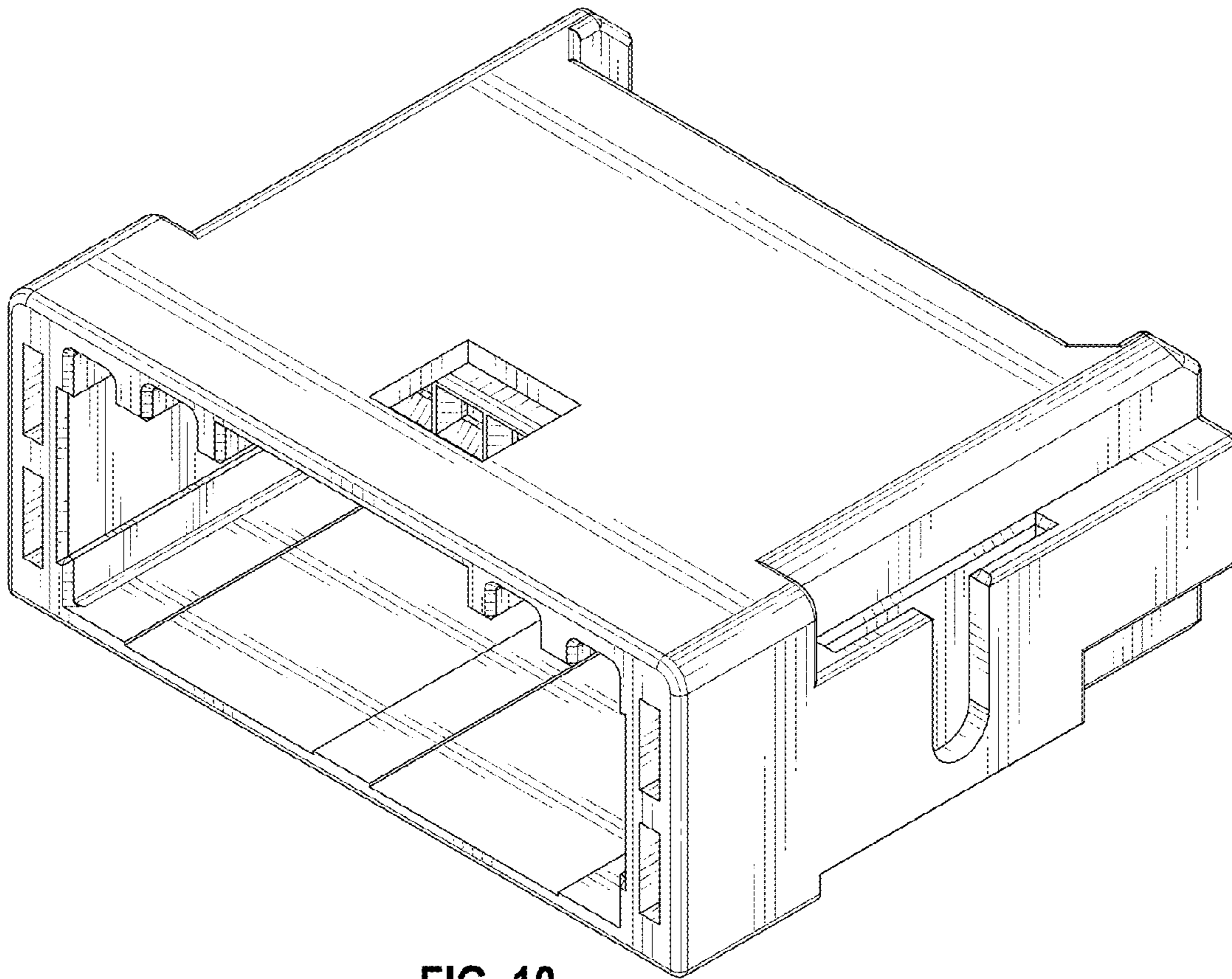


FIG. 10

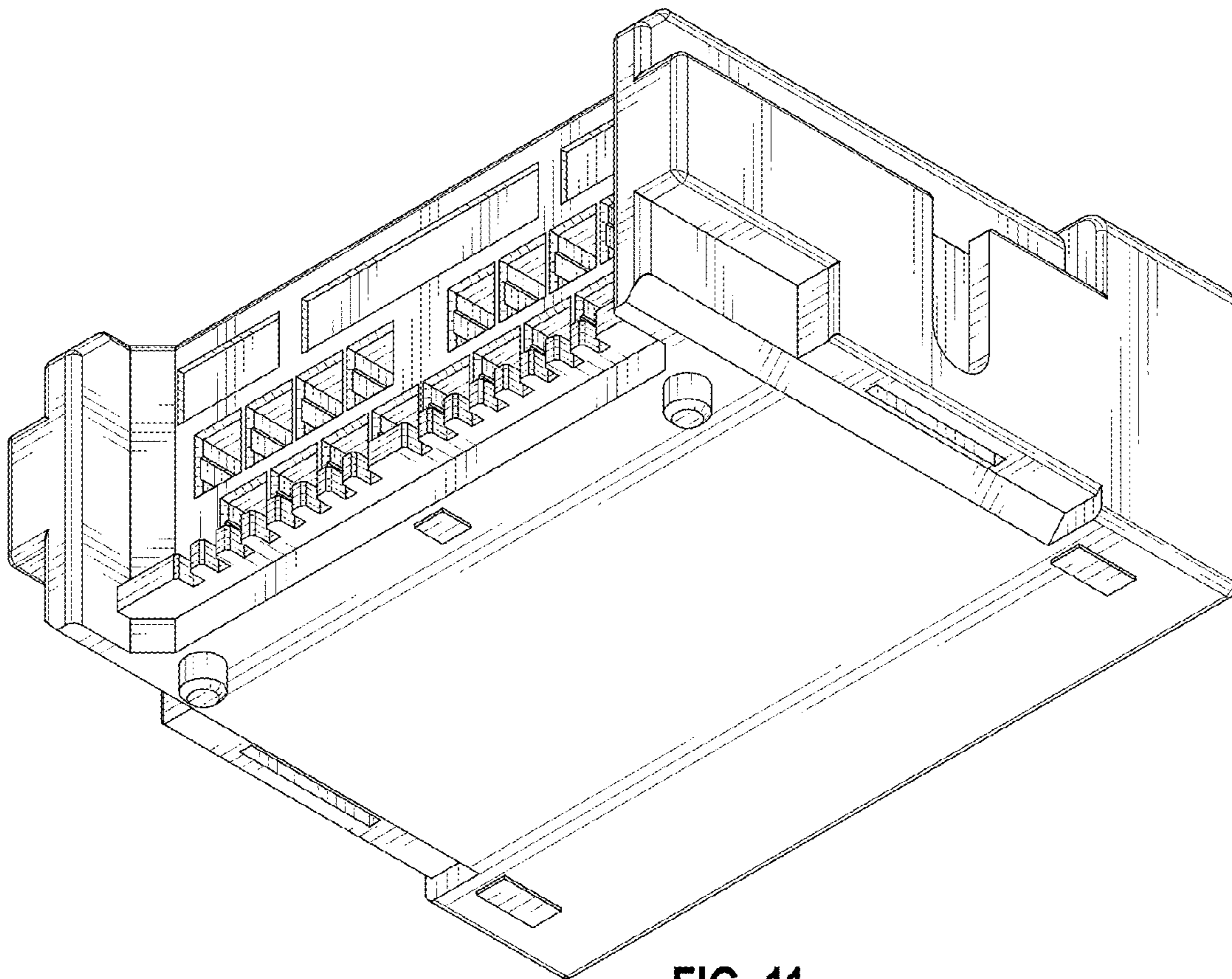


FIG. 11

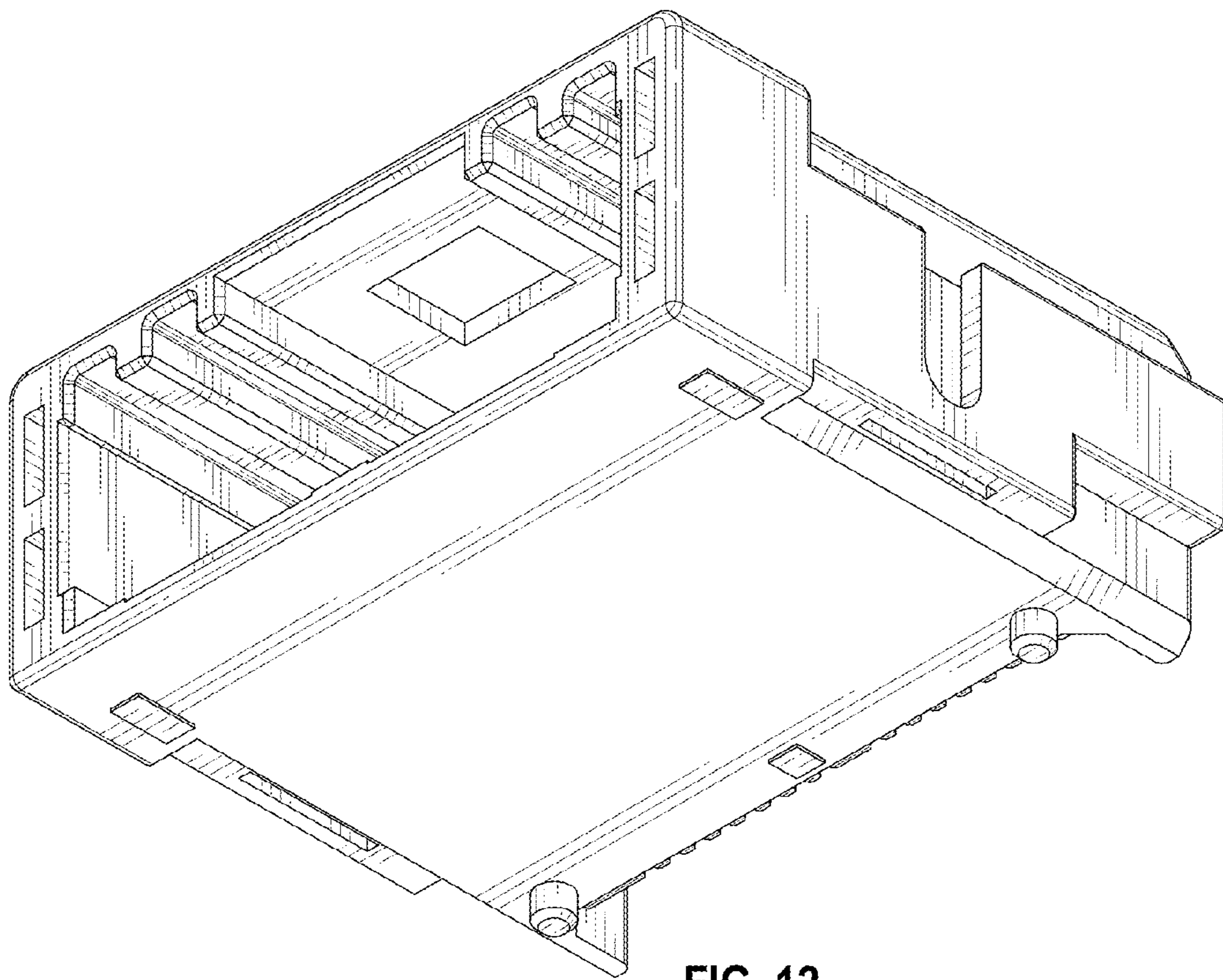


FIG. 12

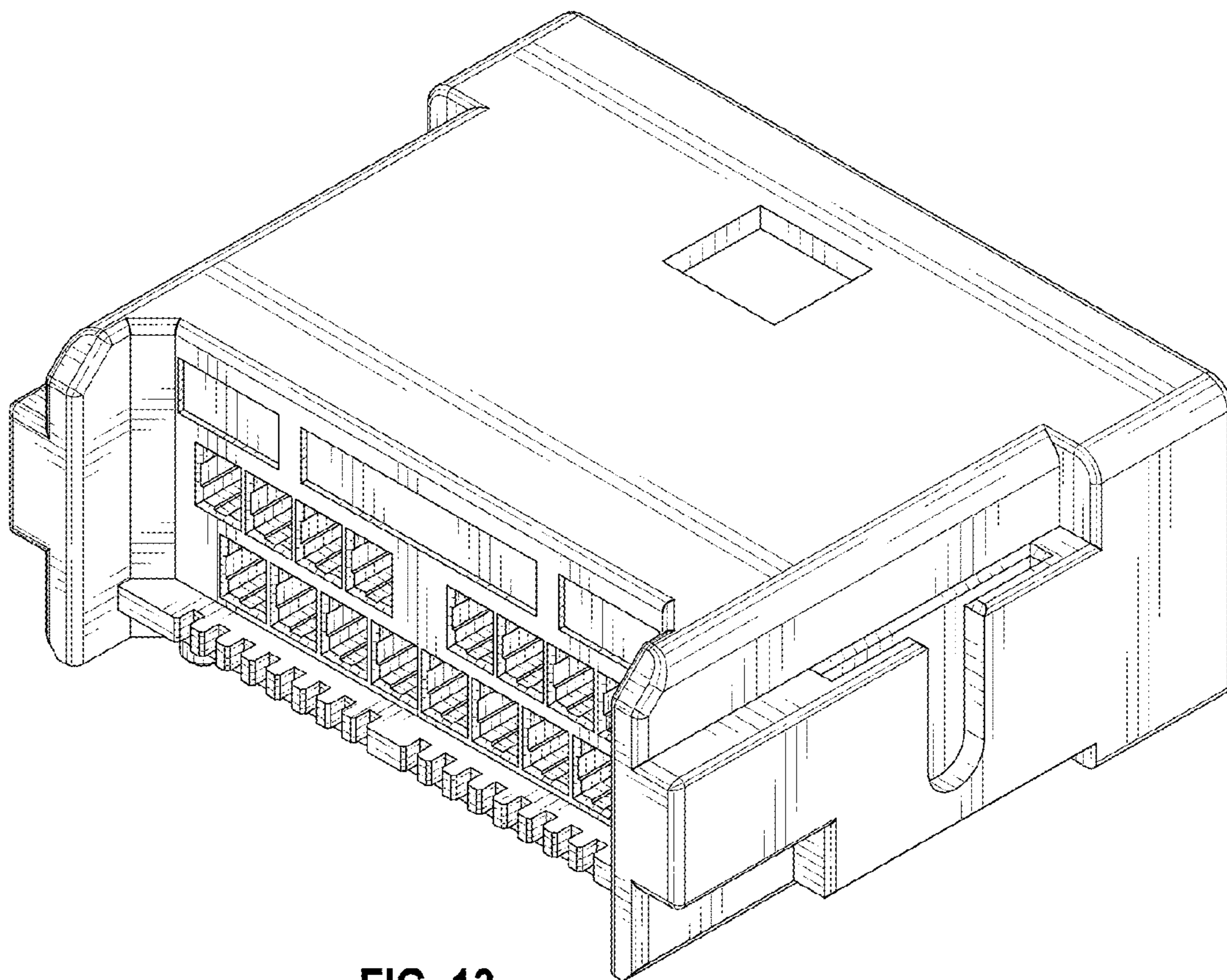


FIG. 13