



US00D959375S

(12) **United States Design Patent** (10) **Patent No.:** **US D959,375 S**  
**Ludwig et al.** (45) **Date of Patent:** **\*\* Aug. 2, 2022**

(54) **POWER CASE**  
 (71) Applicant: **Steelcase Inc.**, Grand Rapids, MI (US)  
 (72) Inventors: **James Ludwig**, Grand Rapids, MI (US); **Julie Yonehara**, Grand Rapids, MI (US); **Hyun Yoo**, Grand Rapids, MI (US)  
 (73) Assignee: **Steelcase Inc.**, Grand Rapids, MI (US)

D459,297 S 6/2002 Searle  
 D464,934 S 10/2002 Chen  
 D495,819 S 9/2004 Krieger et al.  
 D511,746 S 11/2005 Lu  
 D530,277 S 10/2006 Lin  
 D533,500 S 12/2006 Wang  
 D539,216 S 3/2007 Hamaguchi  
 D539,217 S 3/2007 Hamaguchi  
 D543,143 S 5/2007 Hamaguchi  
 D546,495 S 7/2007 Barbeau et al.

(Continued)

(\*\*) Term: **15 Years**

**OTHER PUBLICATIONS**

(21) Appl. No.: **29/805,950**

US D774,840 S, 12/2016, Seiders et al. (withdrawn)

(Continued)

(22) Filed: **Aug. 31, 2021**

*Primary Examiner* — Jennifer O King

(74) *Attorney, Agent, or Firm* — Crowell & Moring LLP

**Related U.S. Application Data**

(63) Continuation-in-part of application No. 29/689,066, filed on Apr. 26, 2019, now Pat. No. Des. 933,013.

(51) **LOC (13) Cl.** ..... **13-02**

(52) **U.S. Cl.**

USPC ..... **D13/119**

(58) **Field of Classification Search**

USPC ..... D13/103, 104, 107, 108, 110, 119, 120, D13/149, 184, 199; D10/77

CPC ..... H01M 5/5044; H01M 10/48

See application file for complete search history.

(56) **References Cited**

**U.S. PATENT DOCUMENTS**

D263,581 S 3/1982 Kaye  
 4,497,881 A 2/1985 Bertolino  
 D282,323 S 1/1986 Fetty  
 D393,468 S 4/1998 Dalby  
 D393,829 S 4/1998 Shimizu  
 D400,160 S 10/1998 Nagano  
 D413,858 S 9/1999 Murakami et al.  
 D419,137 S 1/2000 Gaffney et al.  
 D427,142 S 6/2000 Luh et al.  
 D457,131 S 5/2002 Kitoh et al.

(57) **CLAIM**

We claim the ornamental design for a power case, as shown and described.

**DESCRIPTION**

FIG. 1 is a top perspective view of a power case;

FIG. 2 is a top plan view thereof;

FIG. 3 is a bottom plan view thereof;

FIG. 4 is a rear elevation view thereof;

FIG. 5 is a front elevation view thereof;

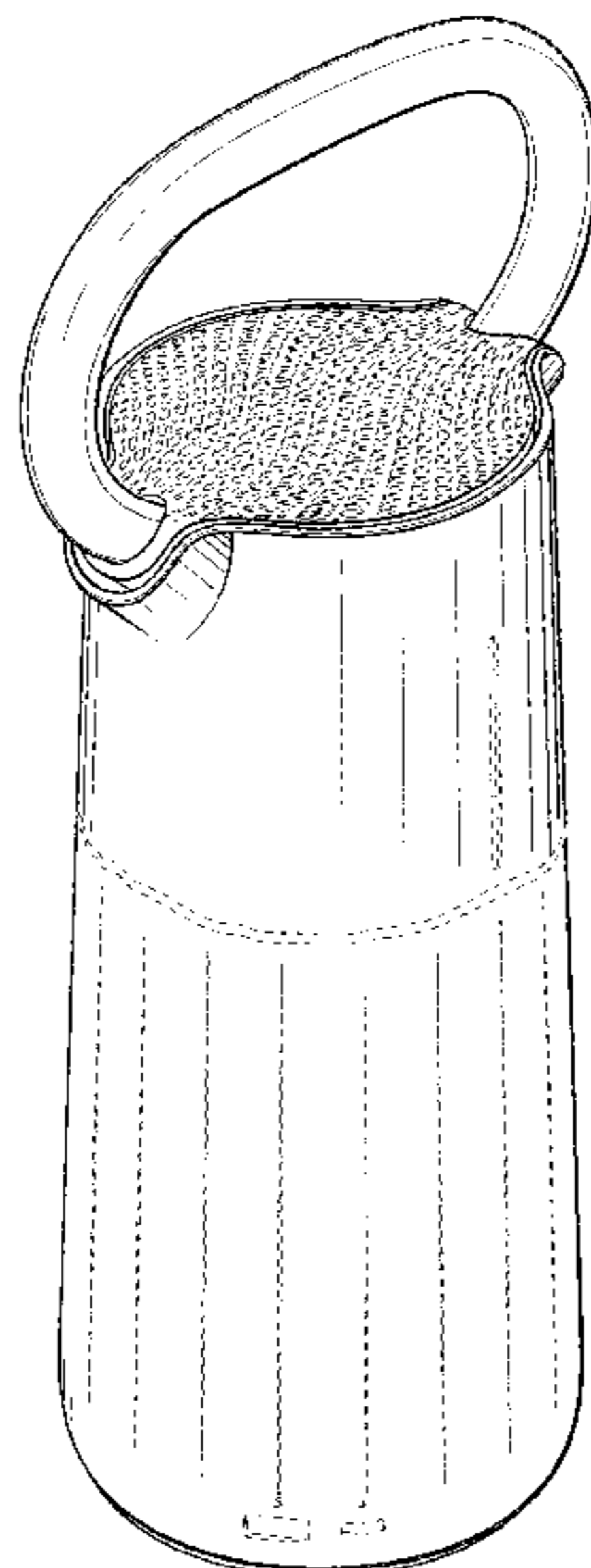
FIG. 6 is a left side elevation view thereof;

FIG. 7 is a right side elevation view thereof; and,

FIG. 8 is a bottom perspective view thereof.

The broken lines are for the purpose of illustrating surface features that form no part of the claimed ornamental design, and the symbolic break across the vertical aspect illustrates that embodiments within the scope of the present claimed design may vary in height but the portion of the design between those phantom breaklines forms no part of the claimed design.

**1 Claim, 7 Drawing Sheets**



(56)

**References Cited**

U.S. PATENT DOCUMENTS

D551,616 S 9/2007 Shimizu  
 D557,450 S 12/2007 Barbeau et al.  
 D562,226 S 2/2008 Uehlein-Proctor et al.  
 D574,768 S 8/2008 Witte  
 D577,333 S 9/2008 Daniel et al.  
 D582,843 S 12/2008 Linardos  
 D585,893 S 2/2009 Wang  
 D591,232 S 4/2009 Zhuang  
 D593,488 S 6/2009 Harrison et al.  
 D598,374 S 8/2009 Sasada  
 D598,844 S 8/2009 Harrison et al.  
 D600,000 S 9/2009 Horito et al.  
 D603,331 S 11/2009 Schupp  
 D633,034 S 2/2011 Heine et al.  
 D633,035 S 2/2011 Heine et al.  
 D664,092 S 7/2012 Gea Suarez  
 D664,498 S 7/2012 Liu  
 D682,212 S 5/2013 Udagawa et al.  
 D683,696 S 6/2013 Woodard et al.  
 D685,735 S 7/2013 Wang  
 D686,155 S 7/2013 Nguyen  
 D718,480 S 11/2014 Lee  
 D722,956 S 2/2015 Alima  
 D735,163 S 7/2015 Valeur  
 D740,221 S 10/2015 Popper et al.  
 D751,978 S 3/2016 Hong et al.  
 D758,347 S 6/2016 Hinokio  
 D762,564 S 8/2016 Patton et al.  
 D766,213 S 9/2016 Hinokio  
 D769,223 S 10/2016 Hinokio  
 D774,452 S 12/2016 Rost  
 D780,115 S 2/2017 Huang  
 D782,413 S 3/2017 Tsui  
 D808,572 S 1/2018 Zhang  
 D808,927 S 1/2018 Schaal et al.

D808,928 S 1/2018 Schaal et al.  
 D814,415 S 4/2018 Xiong  
 D817,875 S 5/2018 Zhang  
 D824,218 S 7/2018 Seiders et al.  
 D826,845 S 8/2018 Greiner  
 D826,846 S 8/2018 Greiner  
 D827,566 S 9/2018 Liu et al.  
 D829,689 S 10/2018 Kim  
 D833,384 S 11/2018 Takayanagi  
 D841,579 S 2/2019 Lai  
 D842,236 S 3/2019 Garduno et al.  
 D844,557 S 4/2019 Wang  
 D845,527 S 4/2019 Hsu  
 D868,739 S 12/2019 Ryu  
 D869,440 S 12/2019 Lee  
 D885,837 S 6/2020 Bo  
 D909,645 S 2/2021 Tong  
 D917,382 S 4/2021 Qiu  
 D920,947 S 6/2021 Feng  
 D933,003 S \* 10/2021 Simonelli ..... D13/107  
 D933,012 S \* 10/2021 Xu ..... D13/110  
 D935,998 S \* 11/2021 Nikoozadeh ..... D13/108  
 D936,577 S \* 11/2021 Huang ..... D13/108

OTHER PUBLICATIONS

Undated websites for Bose SoundLink Revolve Portable speaker, viewed on Jun. 18, 2019 at [https://www.bose.com/en\\_us/products/speakers/portable\\_speakers/soundlink\\_revolve.html](https://www.bose.com/en_us/products/speakers/portable_speakers/soundlink_revolve.html).  
 Undated website for OOM artistic products, last viewed on Nov. 29, 2019 at [https://www.facebook.com/pg/OOM-127464630667799/photos/?ref=page\\_internal](https://www.facebook.com/pg/OOM-127464630667799/photos/?ref=page_internal).  
 “Powering Teams Anywhere at Work”, (Jul. 2019), Steelcase.com, <https://www.steelcase.com/research/articles/topics/collaboration/powering-teams-anywhere-work/> (Year: 2019).

\* cited by examiner

FIG. 1

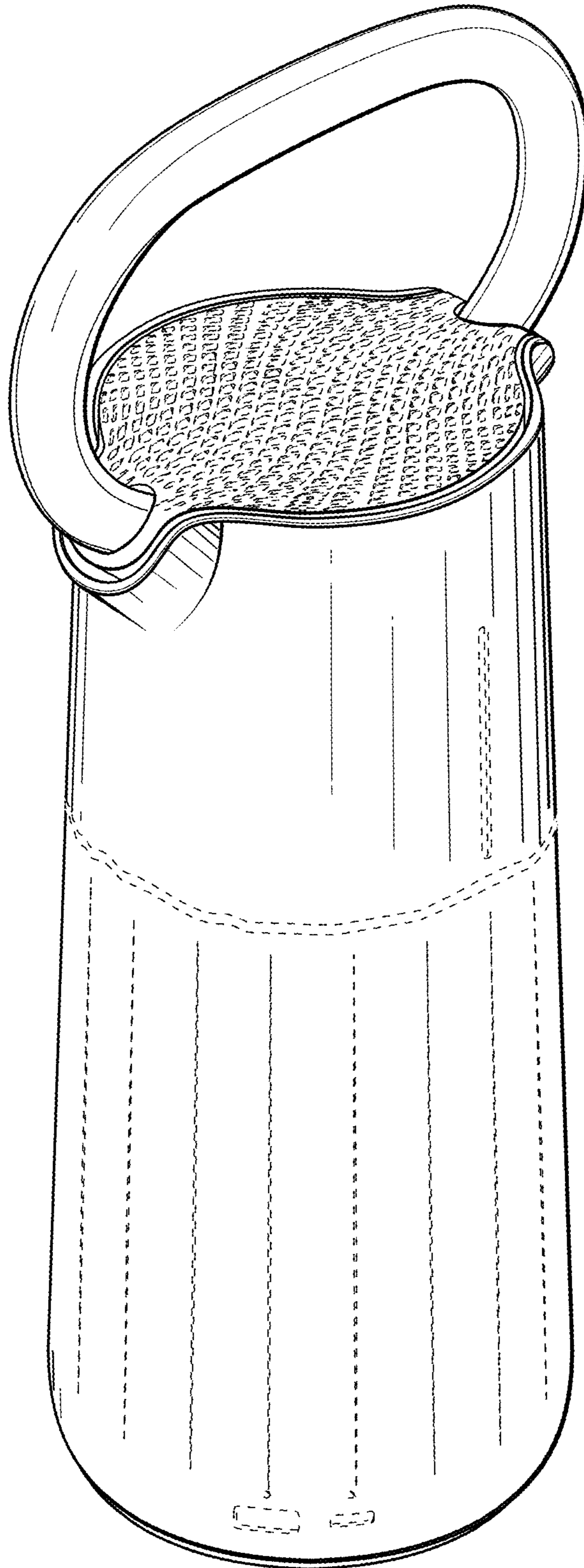


FIG. 2

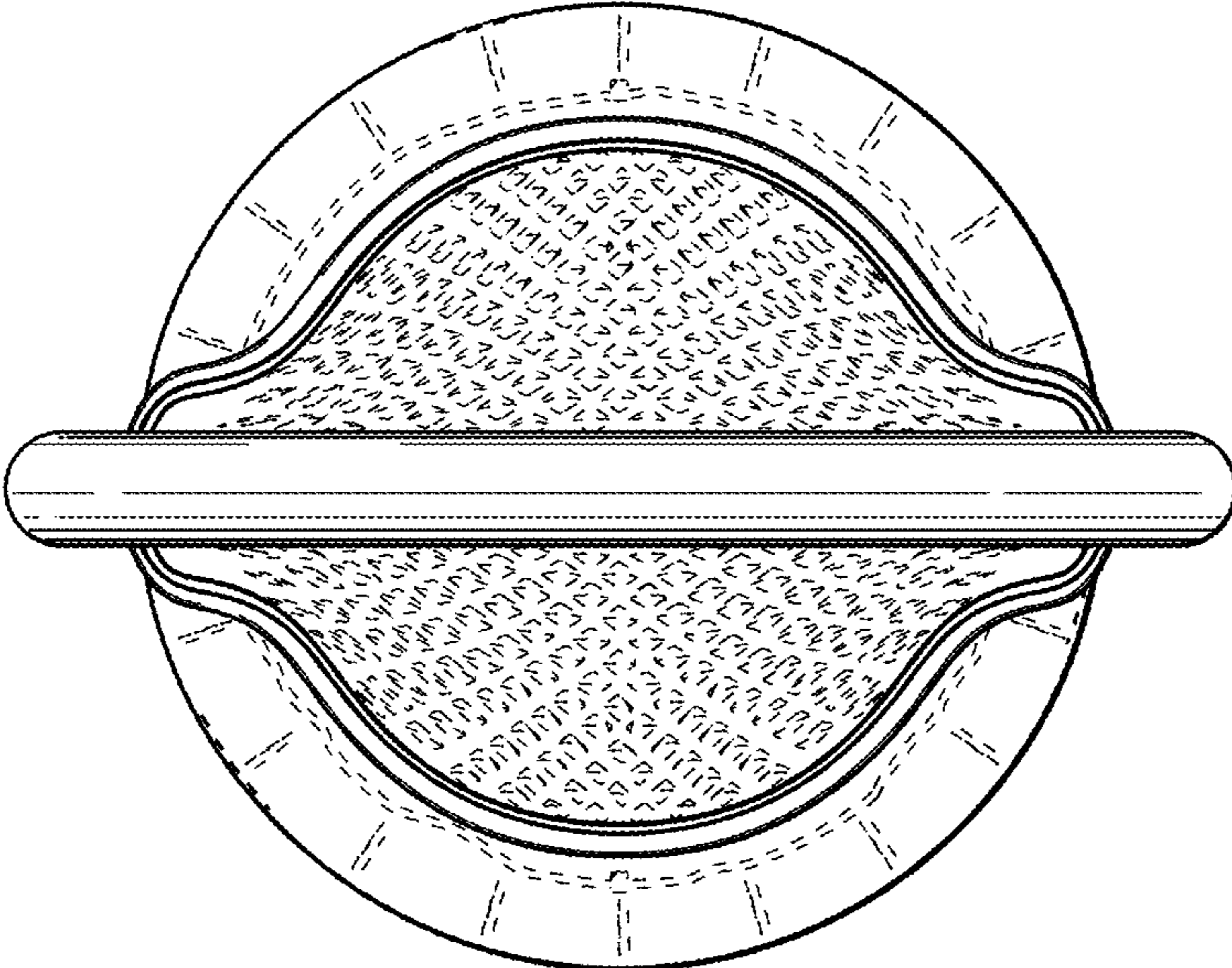


FIG. 3

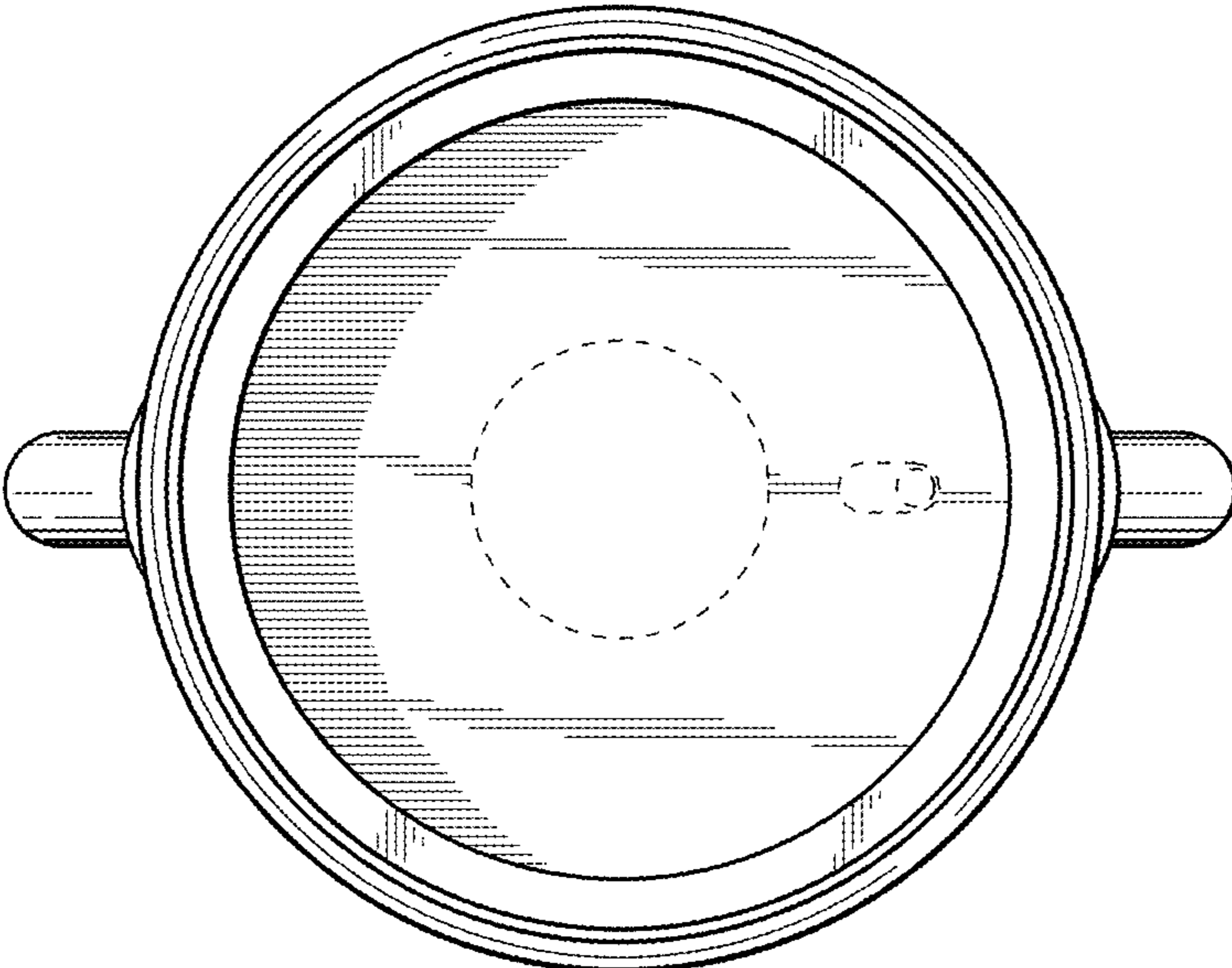


FIG. 4

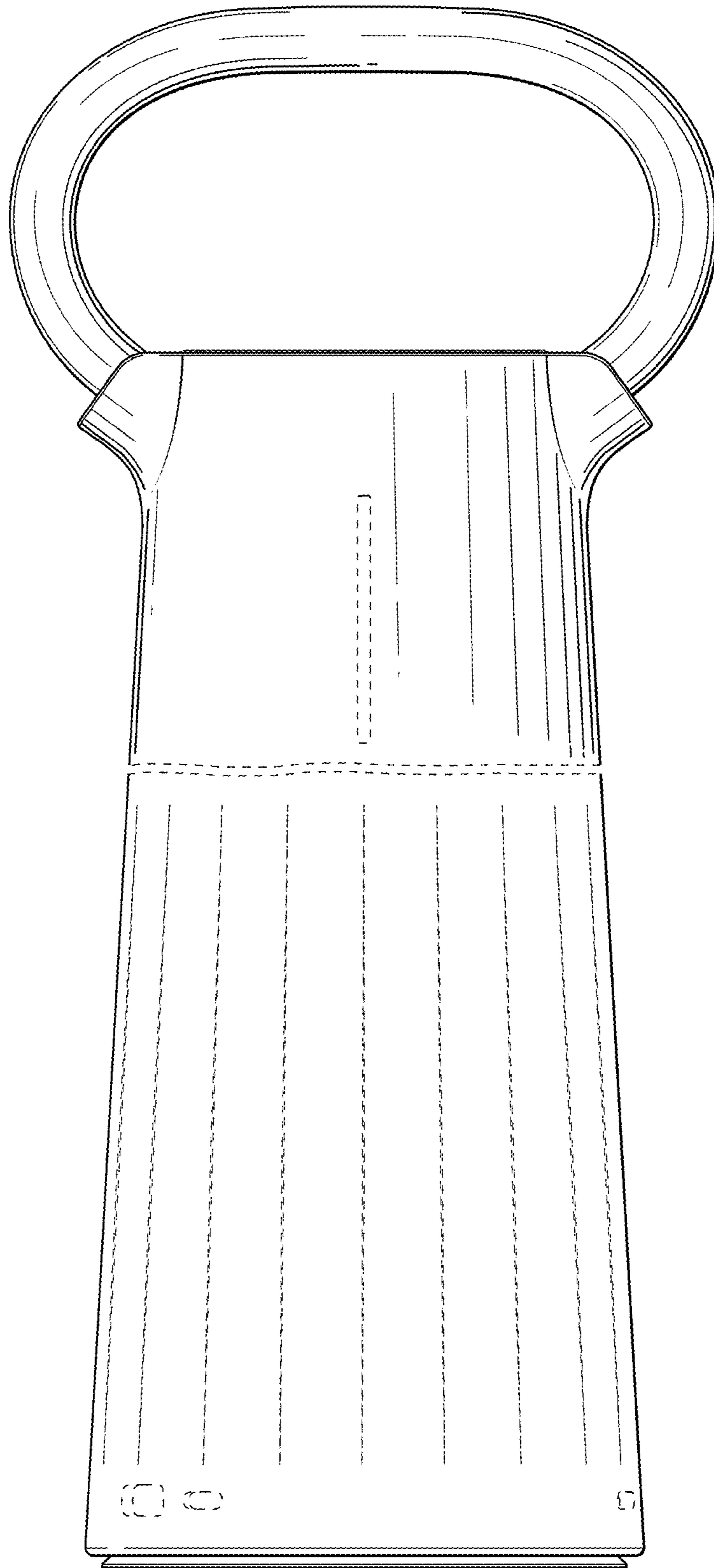


FIG. 5

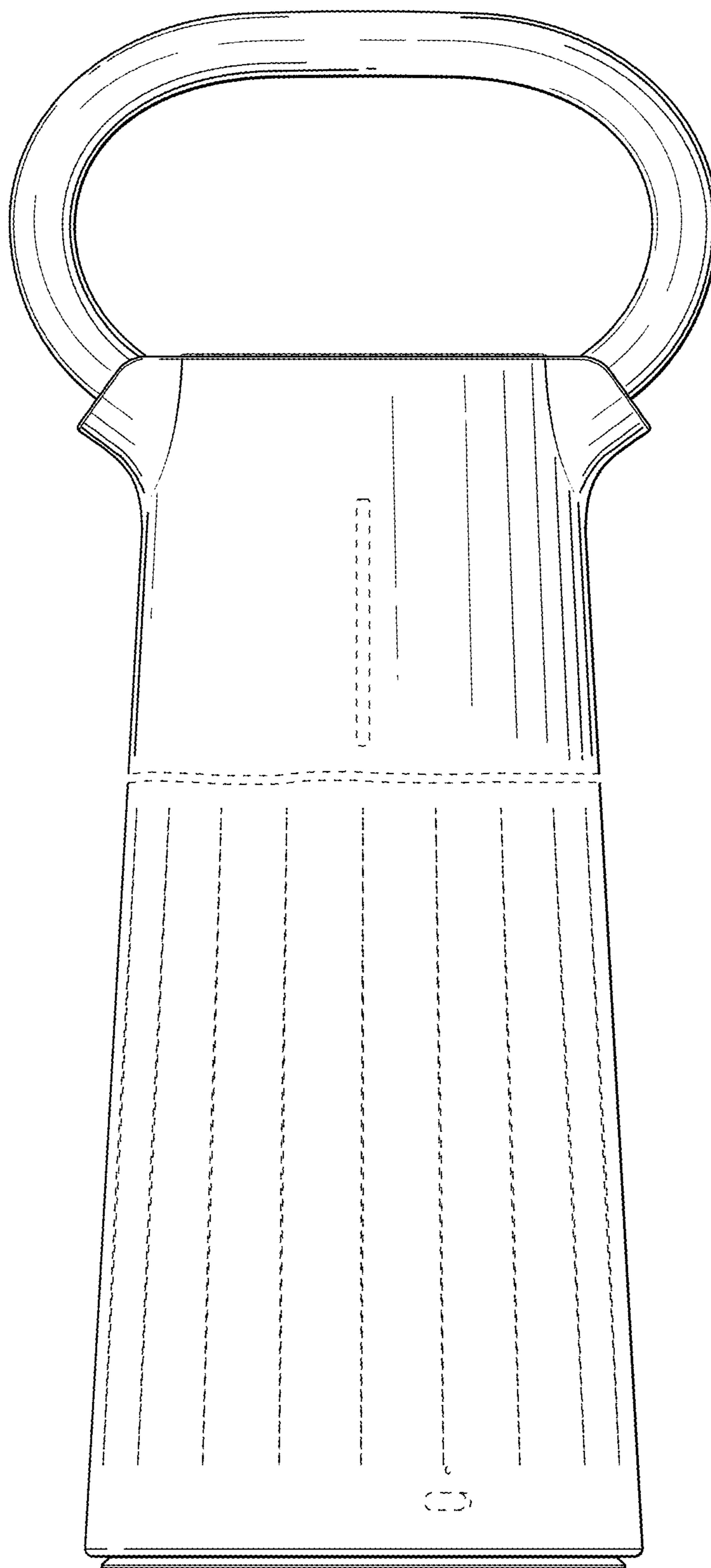


FIG. 6

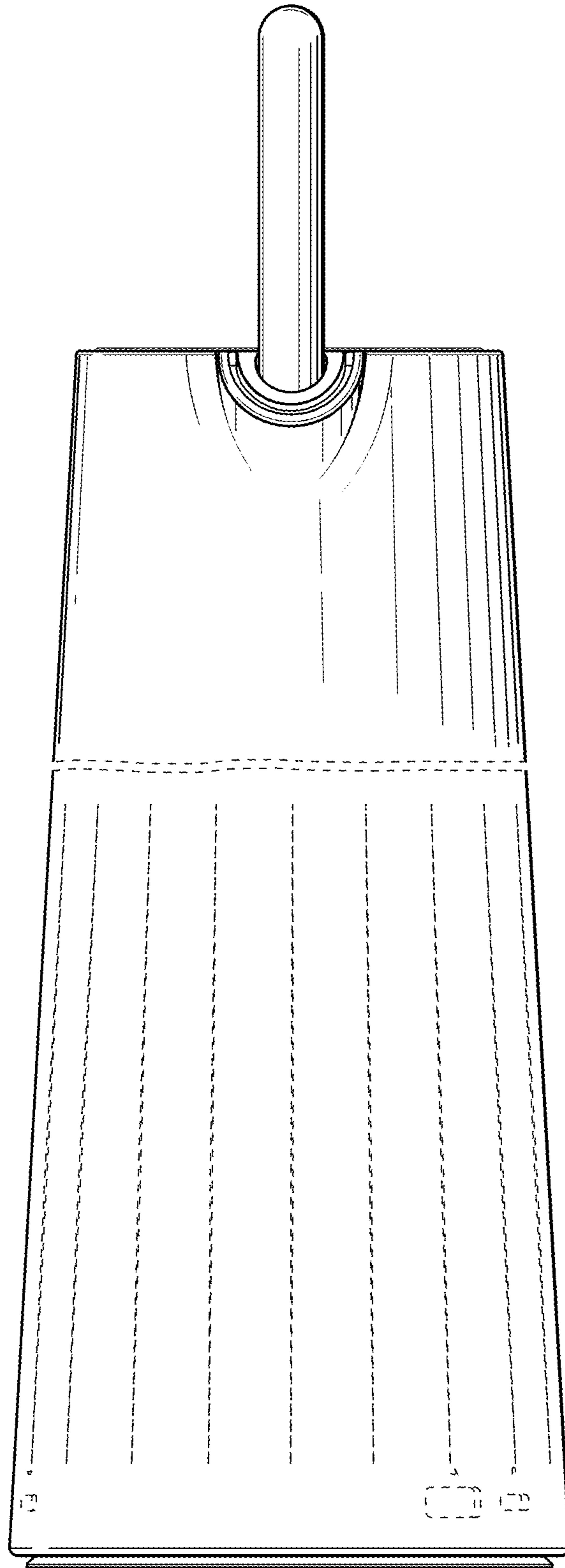


FIG. 7

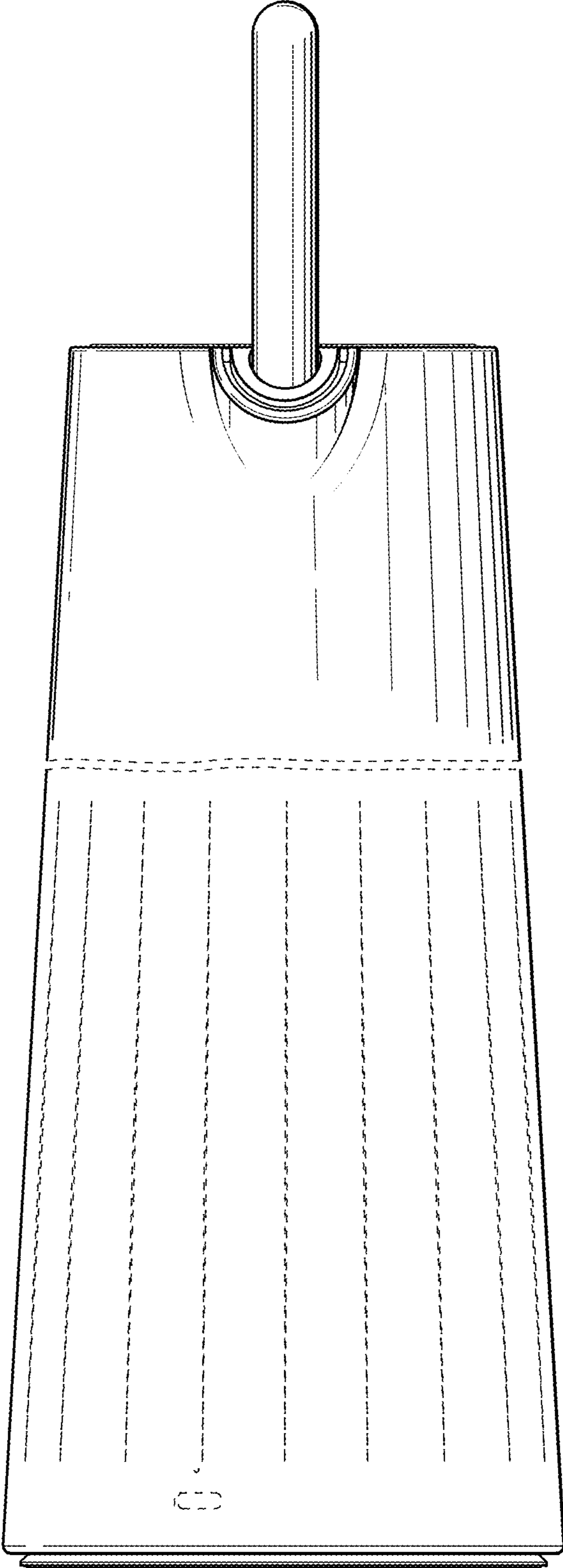




FIG. 8

