



US00D959374S

(12) **United States Design Patent** (10) **Patent No.:** **US D959,374 S**
Miron (45) **Date of Patent:** **** Aug. 2, 2022**

(54) **BNC CAP ASSEMBLY**

(71) Applicant: **Electrical Grid Monitoring Ltd.**, Rosh Haayin (IL)

(72) Inventor: **Eyal Miron**, Hod-Hasharon (IL)

(73) Assignee: **Electrical Grid Monitoring Ltd.**, Rosh Haayin (IL)

(**) Term: **15 Years**

(21) Appl. No.: **29/758,312**

(22) Filed: **Nov. 13, 2020**

(51) **LOC (13) Cl.** **13-02**

(52) **U.S. Cl.**
USPC **D13/118**

(58) **Field of Classification Search**
USPC D15/1-6, 7-9, 14, 16, 28, 29, 72, 89,
D15/130, 142, 148, 149; D12/122-123;
D13/118; D32/1, 3, 5, 7, 13, 14, 19, 21,
D32/23, 25, 27, 29, 32, 33, 35; D8/382,
D8/383, 385, 386, 387, 394, 397, 399;
D18/10, 34.2, 34.8, 40, 46, 58; D23/231,
D23/232, 225

CPC F01L 2013/0052; F01L 2001/0535; F01L
2001/0473; F01L 1/047; F01L 1/344;
F16C 3/02; F16C 3/06; F16C 3/18
See application file for complete search history.

(56) **References Cited**

U.S. PATENT DOCUMENTS

D631,066 S * 1/2011 Itadani D15/9
D678,337 S * 3/2013 Yamamoto D15/5
D710,062 S * 7/2014 Ishibashi D32/25
D728,177 S * 4/2015 Ishibashi D8/399

(Continued)

OTHER PUBLICATIONS

Caps. (Design—© Questel) orbit.com. [Online PDF compilation of references] 71 pgs. Print Dates Range Oct. 14, 2020-May 15, 2007 [Retrieved Mar. 31, 2022].*

(Continued)

Primary Examiner — Manpreet S Matharu

Assistant Examiner — Suzanne E Tisdell

(74) *Attorney, Agent, or Firm* — Pearl Cohen Zedek Latzer Baratz LLP

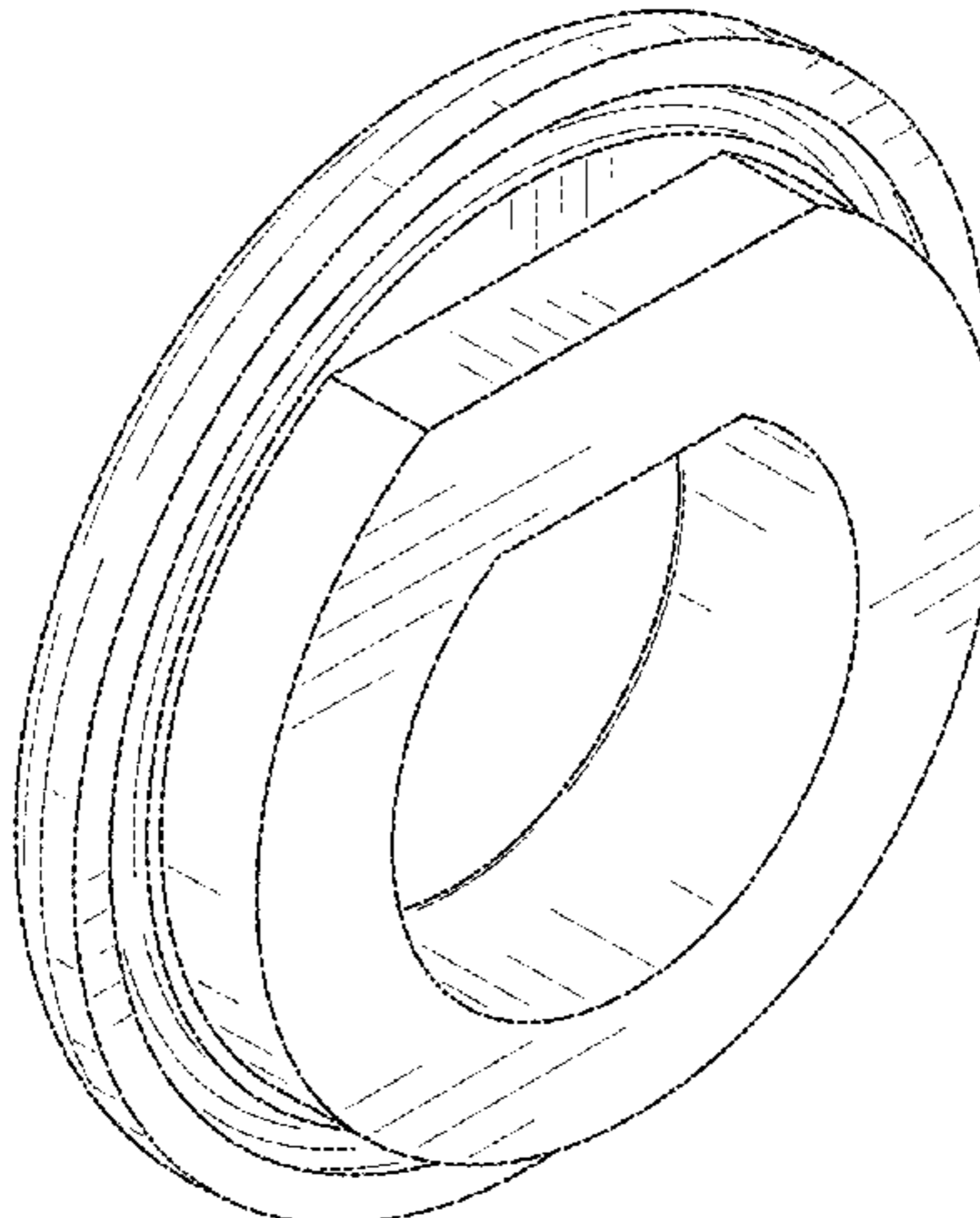
(57) **CLAIM**

The ornamental design for a BNC cap assembly, as shown and described.

DESCRIPTION

FIG. 1 is a top, back, right side perspective view of a BNC cap assembly according to a first embodiment; FIG. 2 is a back elevational view thereof; FIG. 3 is a front elevational bottom plan view thereof; FIG. 4 is a left side elevational view thereof; FIG. 5 is a right side elevational view thereof; FIG. 6 is a top plan view thereof; FIG. 7 is a bottom plan view thereof; and FIG. 8 is a top, back, right side perspective view thereof, shown connected with a disclaimed BNC plug with which the BNC cap assembly may be integrated. FIG. 9 is a top, back, right side perspective view of a BNC cap assembly according to a second embodiment; FIG. 10 is a back elevational view thereof; FIG. 11 is a front elevational bottom plan view thereof; FIG. 12 is a left side elevational view thereof; FIG. 13 is a right side elevational view thereof; FIG. 14 is a top plan view thereof; FIG. 15 is a bottom plan view thereof; and, FIG. 16 is a top, back, right side perspective view thereof, shown connected with a disclaimed BNC plug with which the BNC cap assembly may be integrated. Broken lines included in the figures show portions of the BNC cap assembly that form no part of the claimed design. Broken lines in FIG. 16 show environmental structures that also form no part of the claimed design.

1 Claim, 12 Drawing Sheets



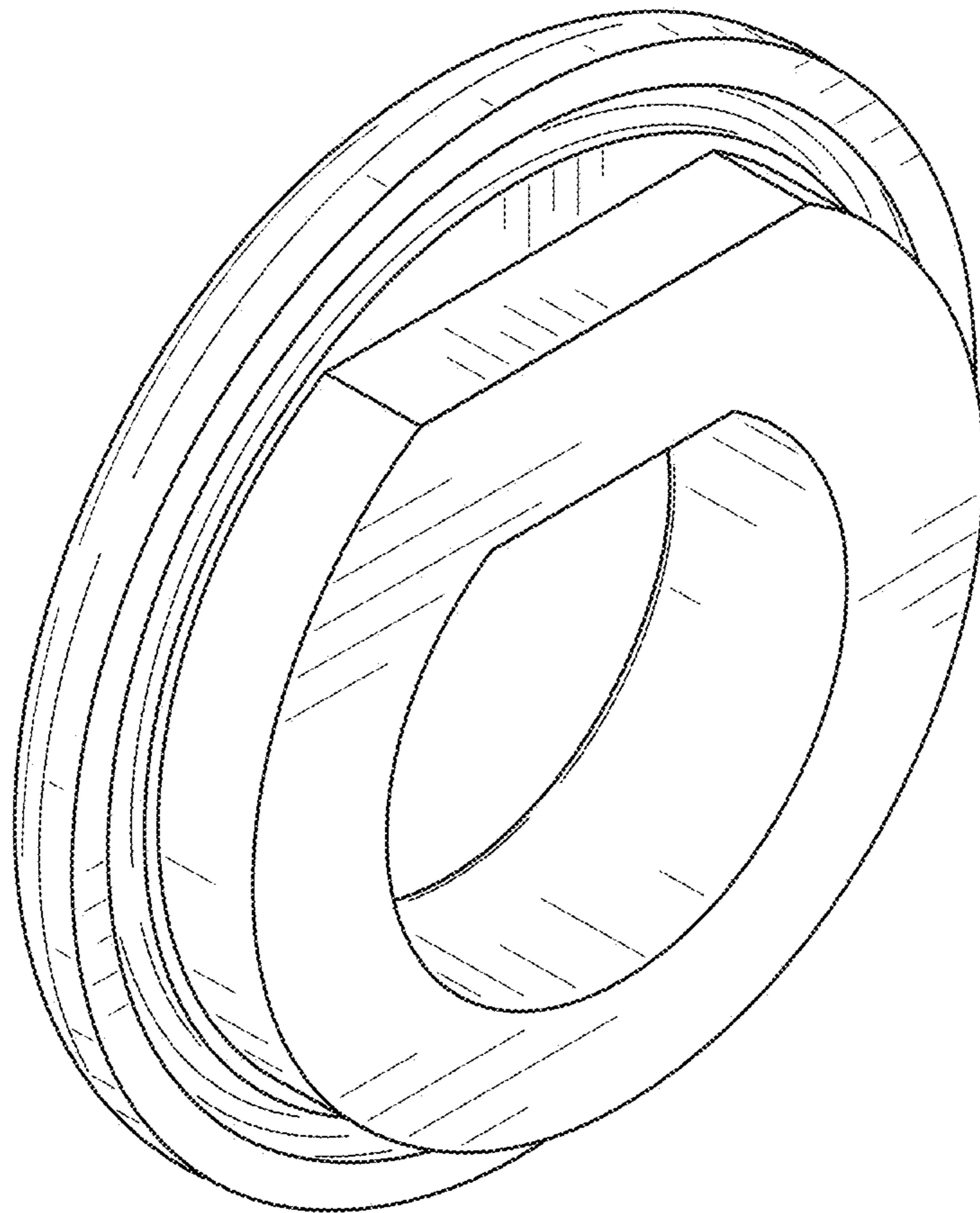


FIG. 1

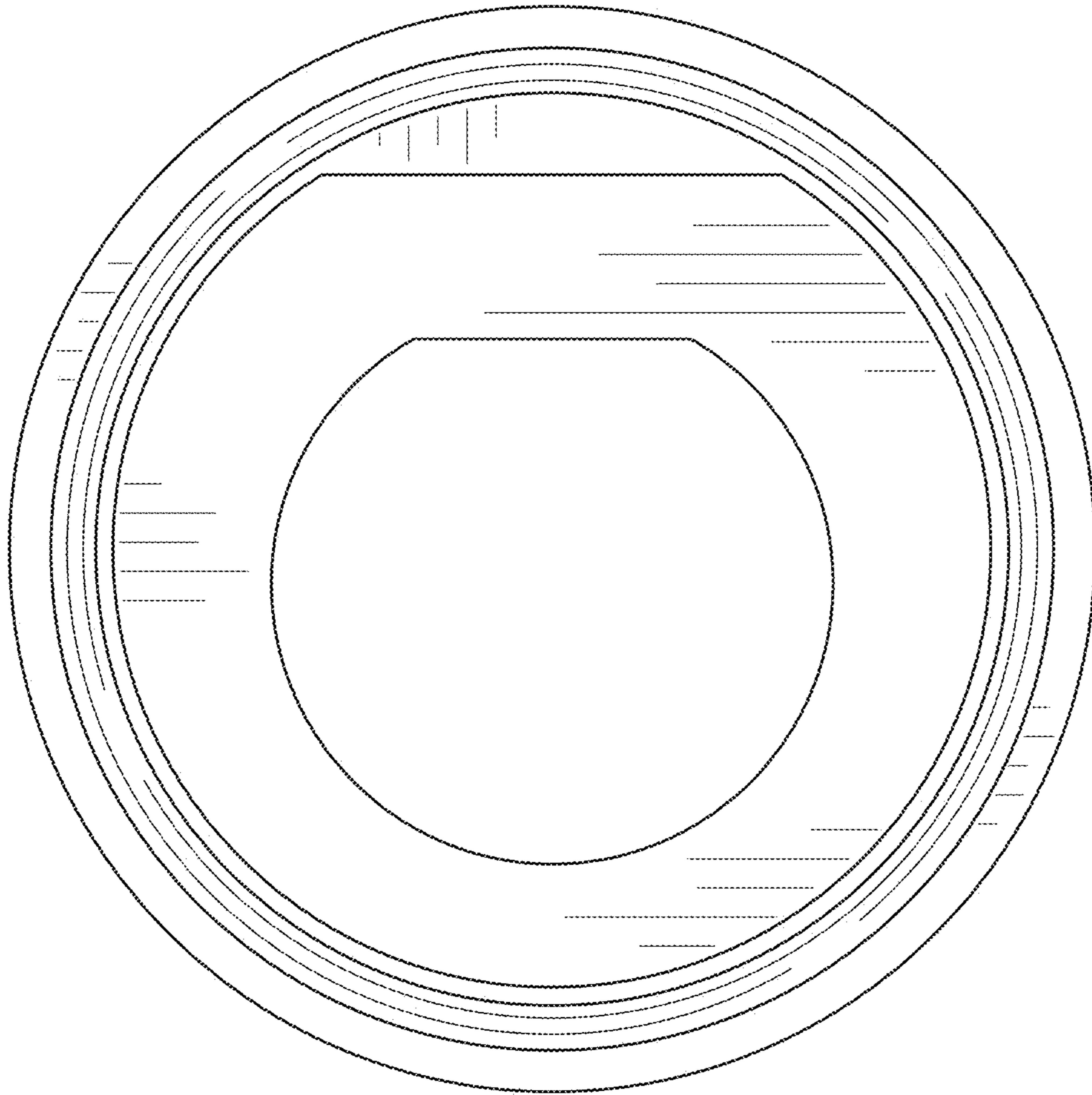


FIG. 2

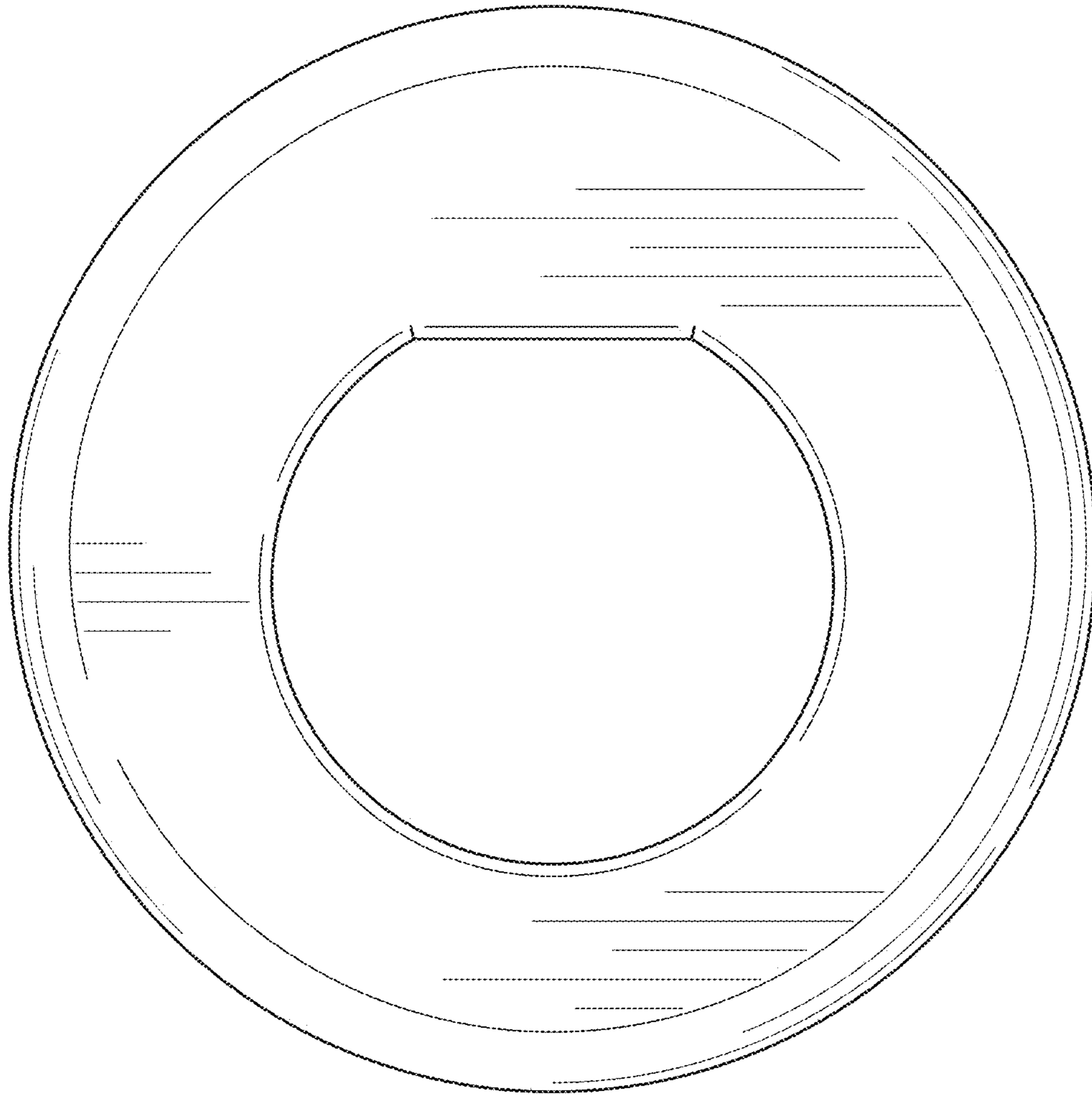


FIG. 3

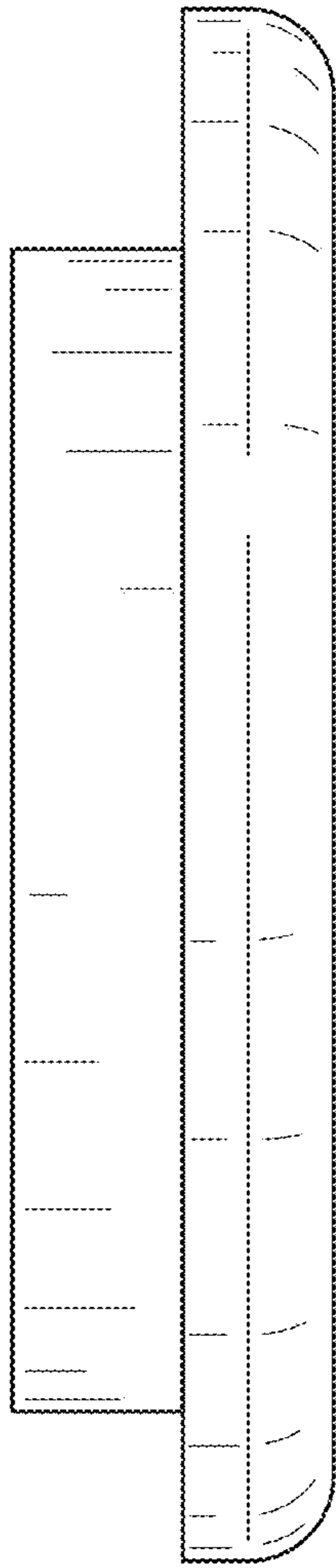


FIG. 4

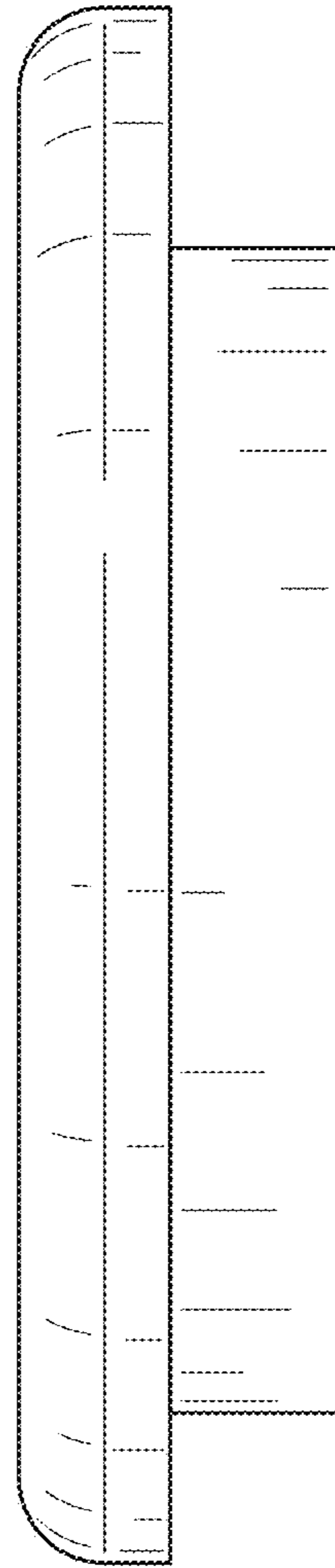


FIG. 5

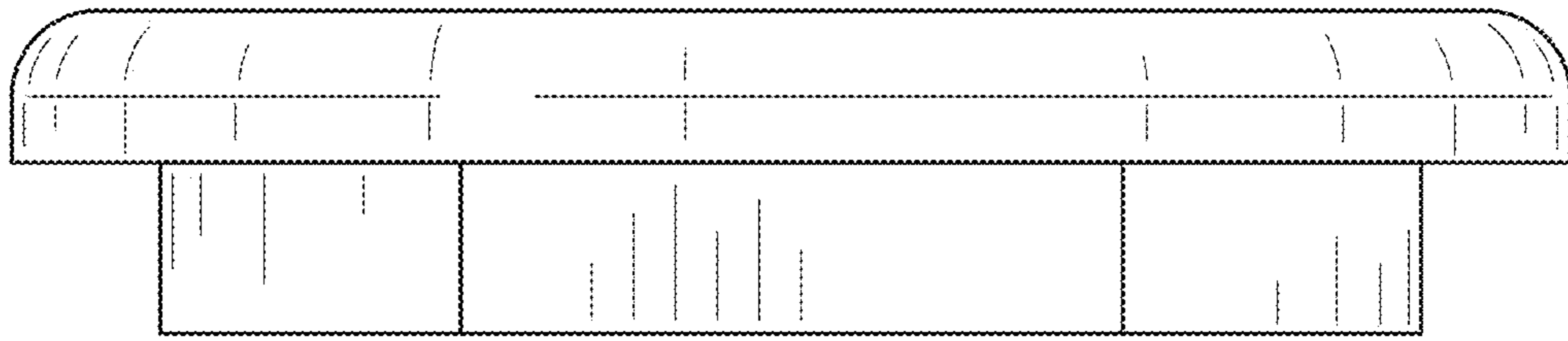


FIG. 6

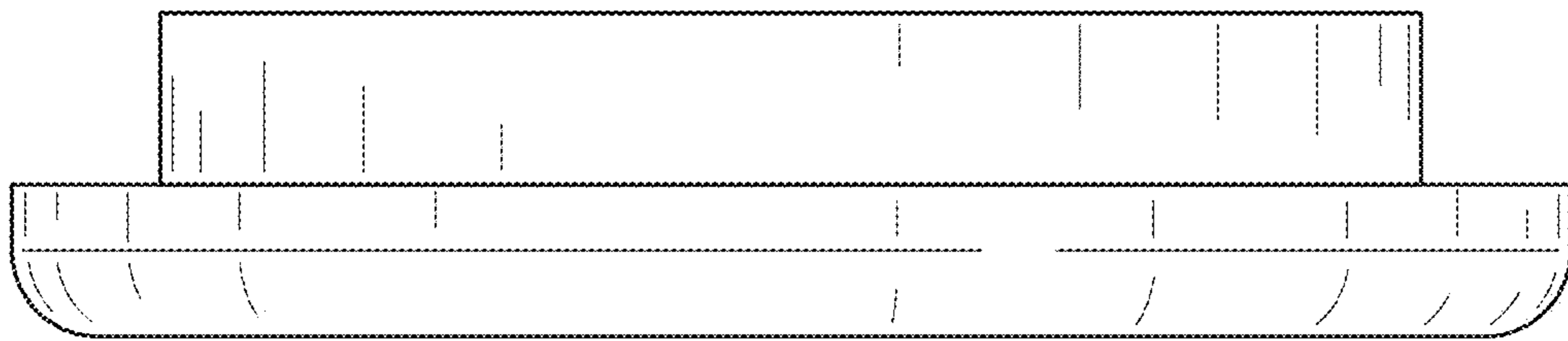


FIG. 7

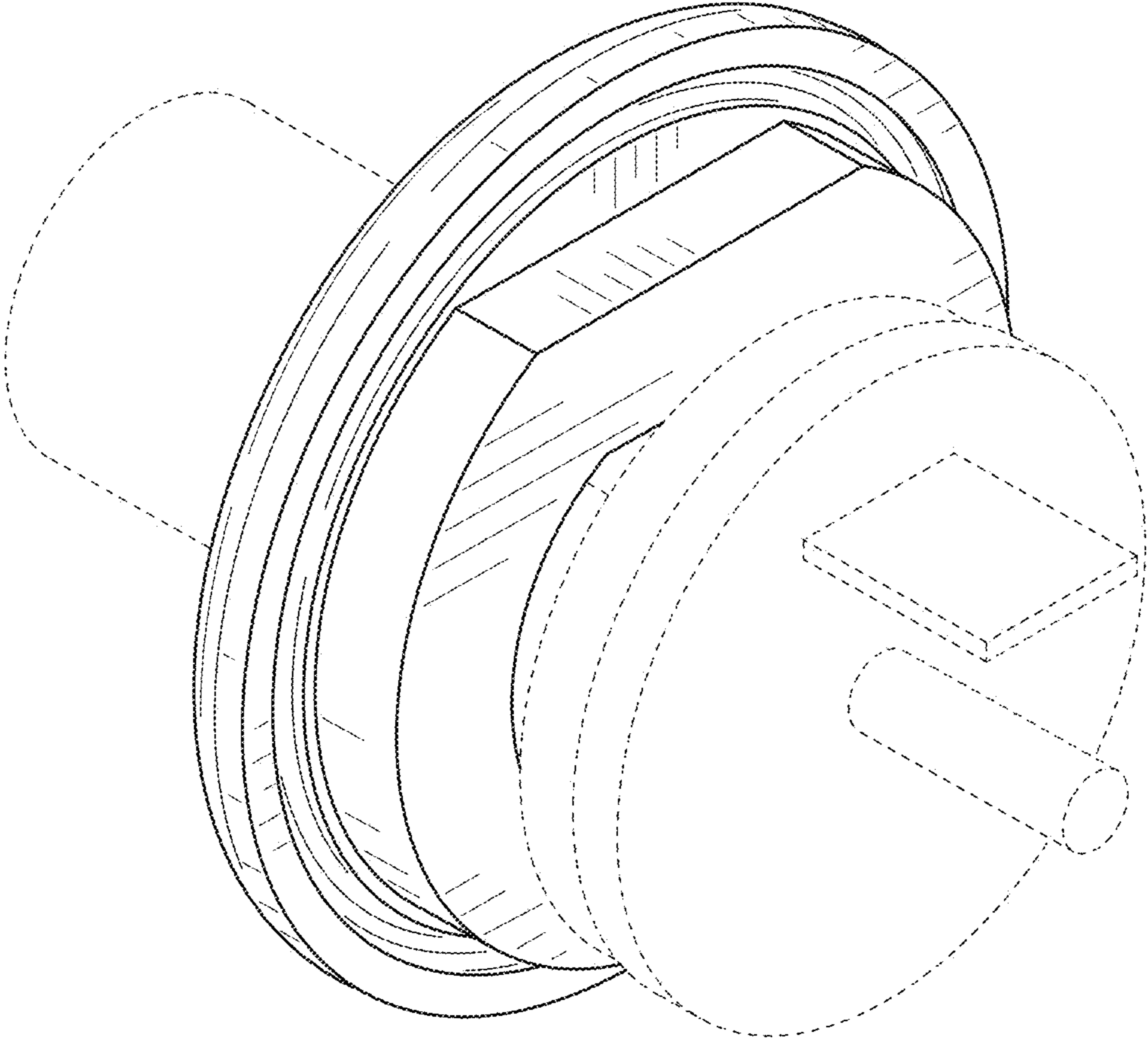


FIG. 8

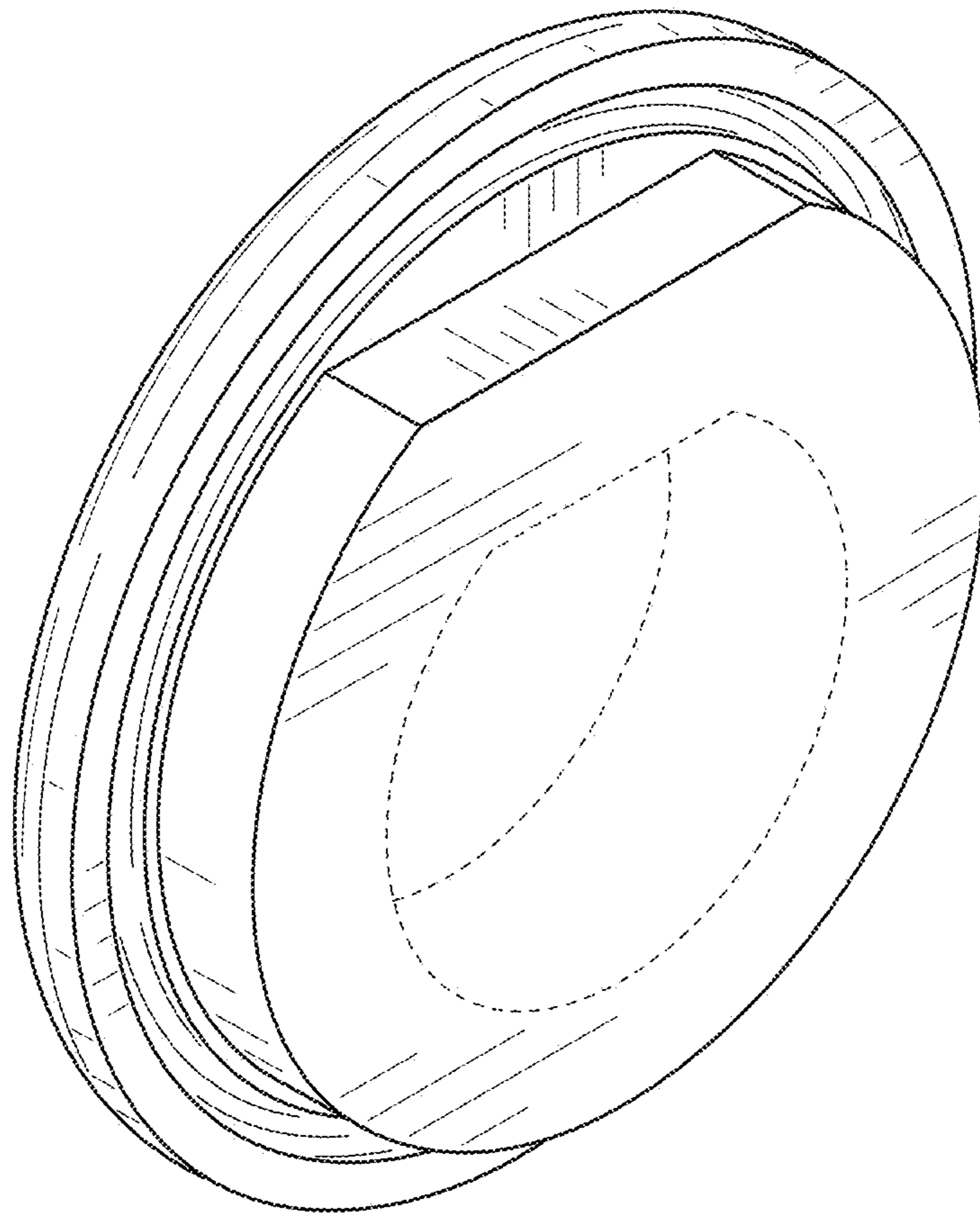


FIG. 9

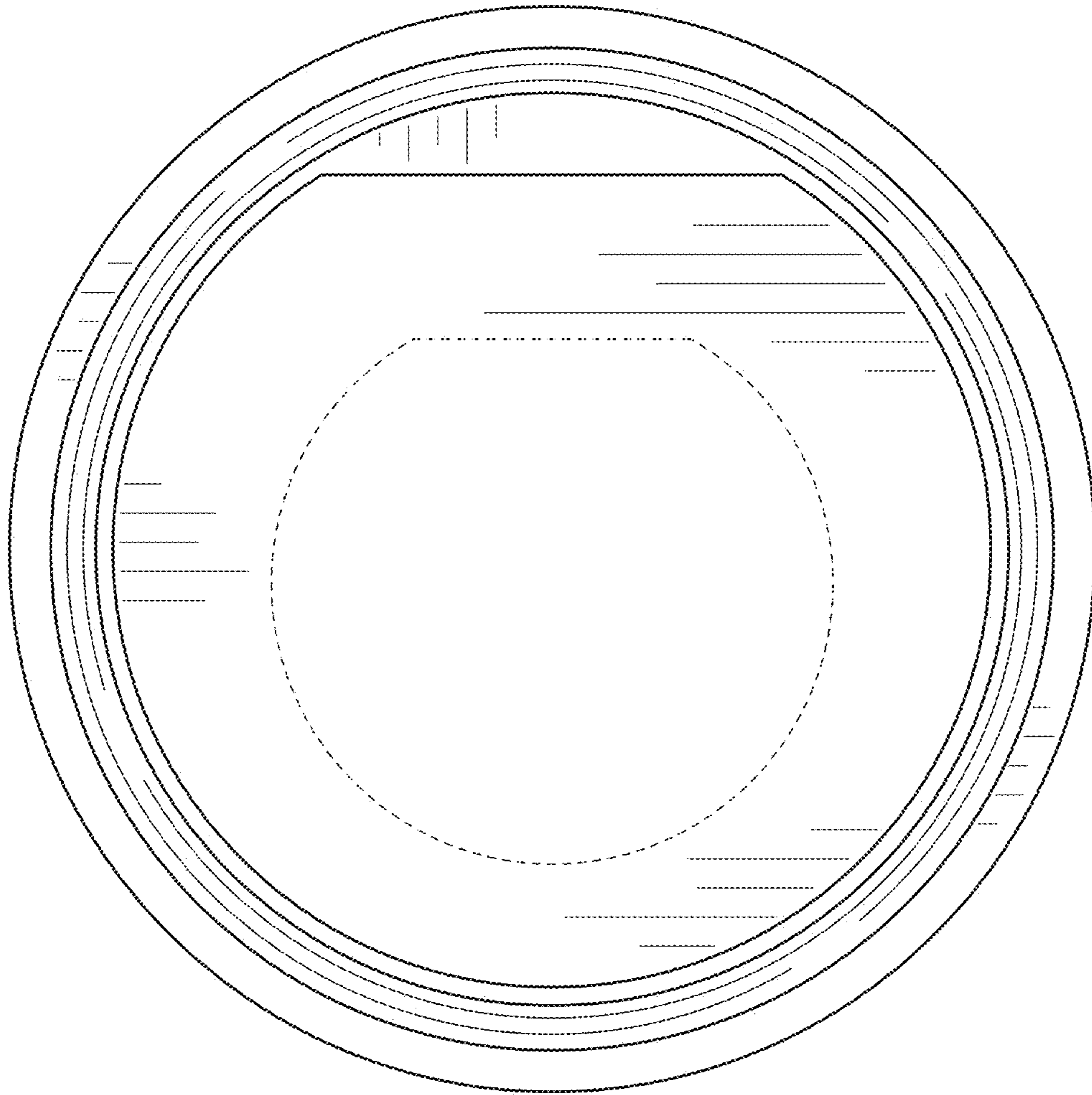


FIG. 10

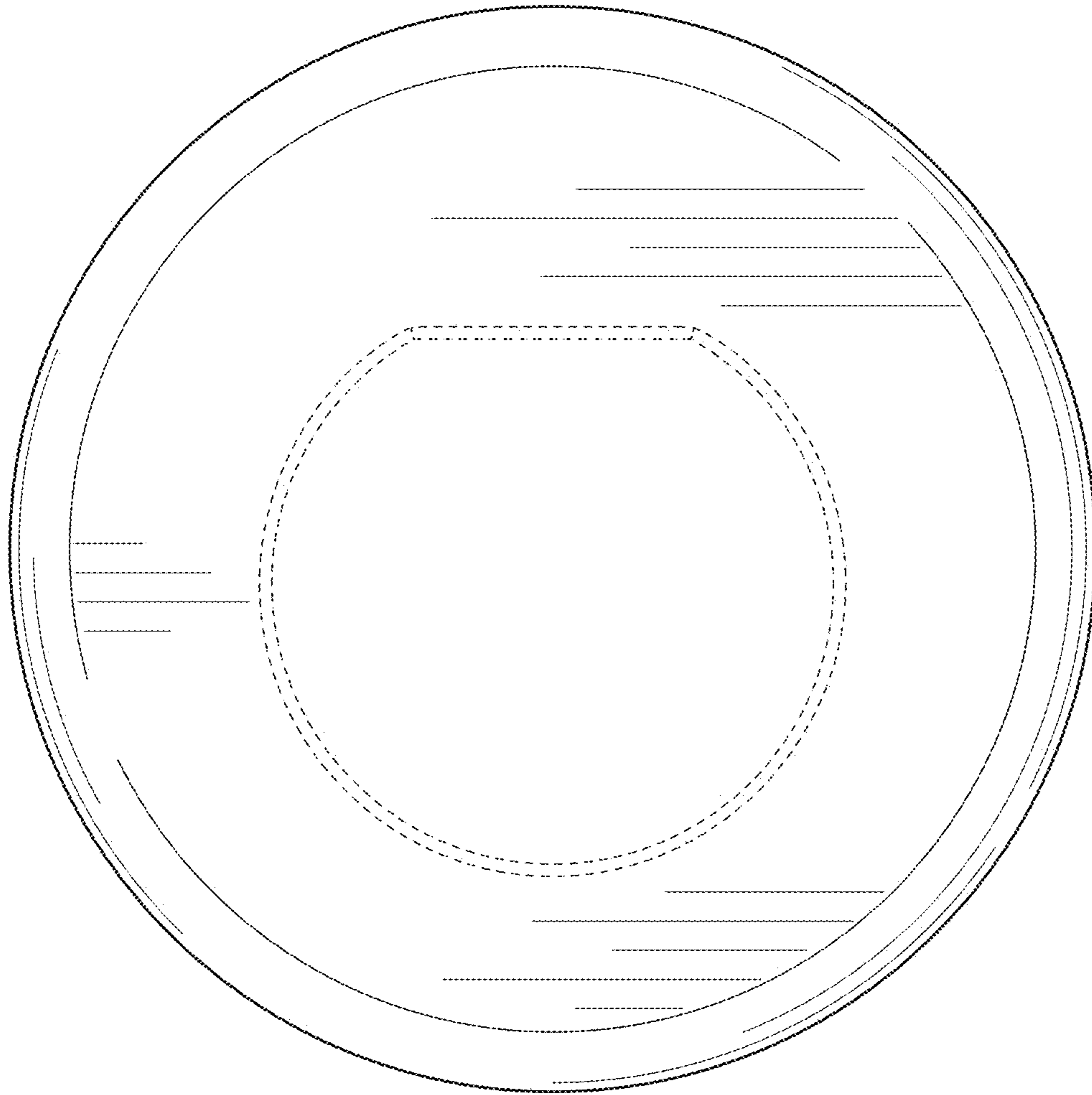


FIG. 11

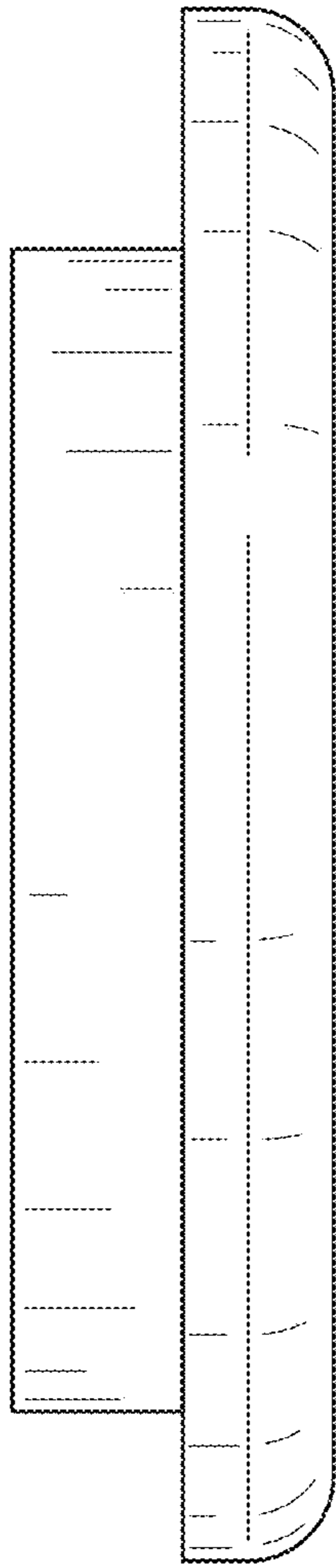


FIG. 12

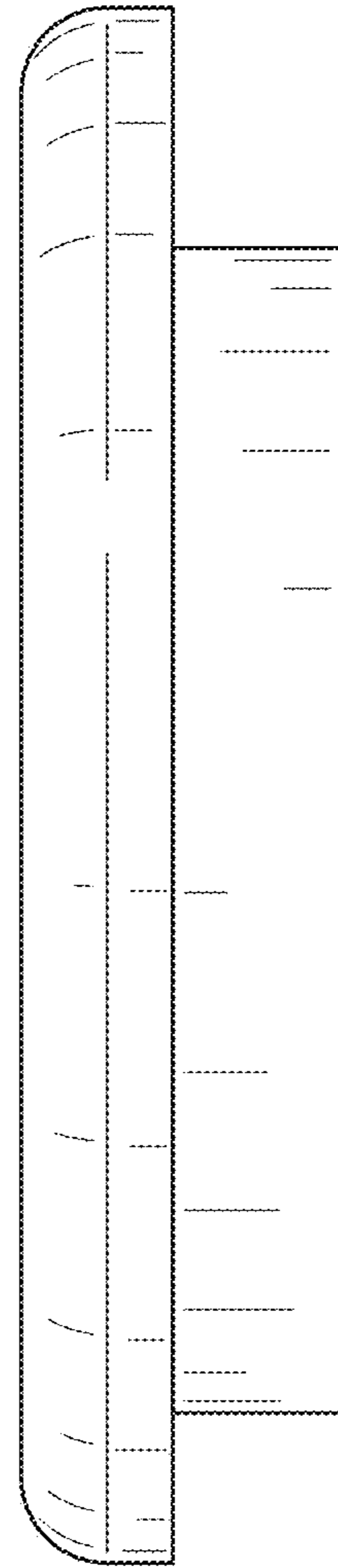


FIG. 13

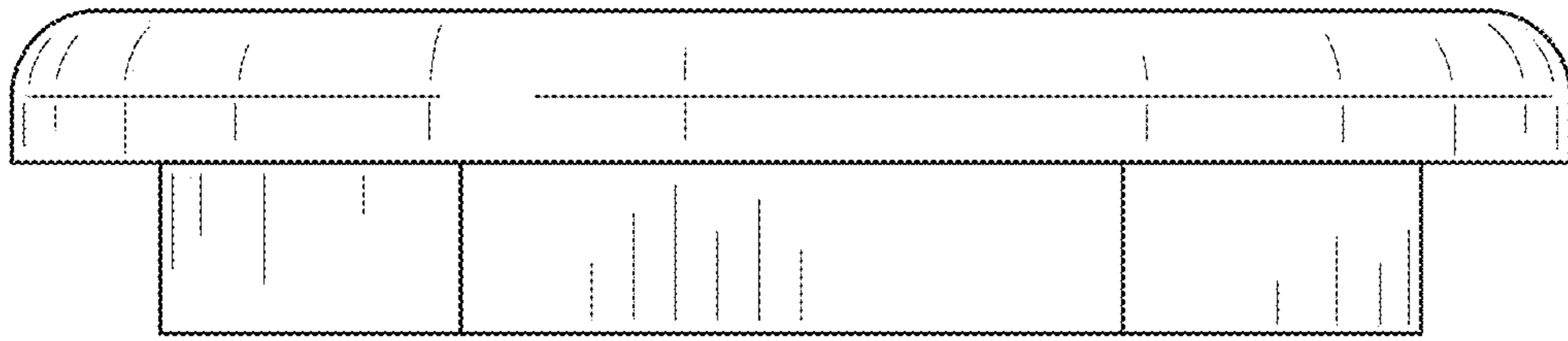


FIG. 14

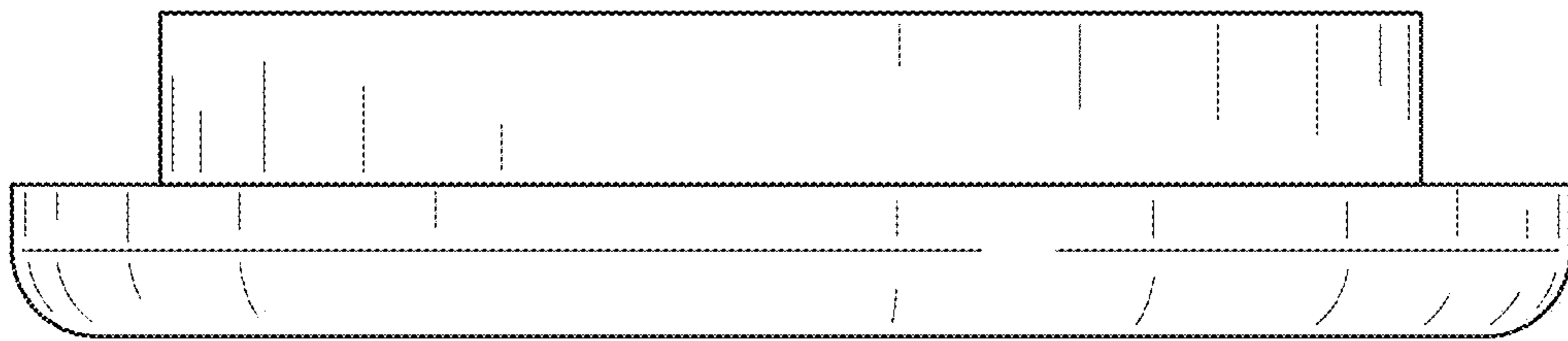


FIG. 15

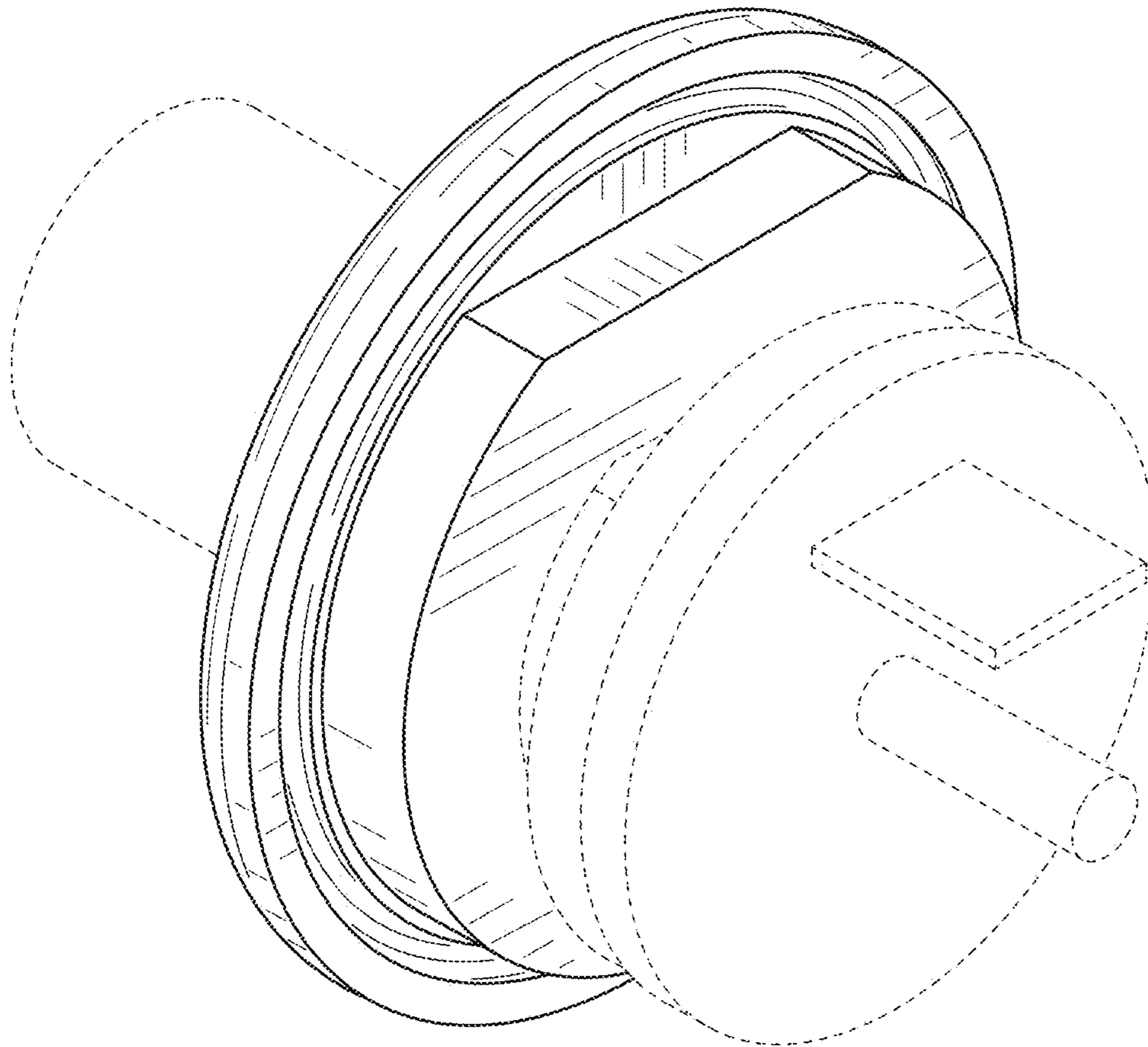


FIG. 16