



US00D959372S

(12) **United States Design Patent** (10) **Patent No.:** **US D959,372 S**  
**Li** (45) **Date of Patent:** **\*\* Aug. 2, 2022**

(54) **POWER PLUG**

(71) Applicant: **LINHAI QIGUANG LIGHTING CO., LTD.**, Taizhou (CN)

(72) Inventor: **Yue Li**, Linhai (CN)

(73) Assignee: **LINHAI QIGUANG LIGHTING CO., LTD.**, Taizhou (CN)

(\*\*) Term: **15 Years**

(21) Appl. No.: **29/816,894**

(22) Filed: **Nov. 25, 2021**

(51) **LOC (13) Cl.** ..... **13-02**

(52) **U.S. Cl.**  
USPC ..... **D13/110**

(58) **Field of Classification Search**

USPC ..... D13/107, 108, 110, 137.1, 137.2, 137.3, D13/137.4, 138.1, 138.2, 139.1, 139.2, D13/139.3, 139.4, 139.5, 139.6, 139.7, D13/139.8, 146, 151, 152, 153, 154, 158, D13/159, 160, 161, 162, 162.1, 163, 164, D13/165, 166, 167, 168, 169, 171, 172, D13/173, 174, 175, 176, 177, 178, 179, D13/184, 199

CPC ..... H01R 13/00; H01R 13/03; H01R 13/04; H01R 13/10; H01R 13/35; H01R 13/44; H01R 13/46; H01R 13/453; H01R 13/4534; H01R 13/502; H01R 13/506; H01R 13/514; H01R 13/518; H01R 13/6272; H01R 13/631; H01R 13/639; H01R 13/652; H01R 13/665; H01R 13/6633; H01R 13/6666; H01R 13/6675; H01R 13/7135; H01R 31/02; H01R 31/06; H01R 31/065; H01R 25/00; H01R 25/006; H01R 9/00; H01R 11/00; H01R 35/04; H01R 2201/06; H01H 2207/00; H01H 2207/022; H01H 2203/00; H05K 5/00; H05K 5/03; H02G 3/088

See application file for complete search history.

(56) **References Cited**

U.S. PATENT DOCUMENTS

D94,143 S \* 12/1934 Hill ..... D13/137.1  
D127,010 S \* 5/1941 Judisch ..... D13/137.1  
D258,429 S \* 3/1981 Buckler ..... D13/138.1

(Continued)

FOREIGN PATENT DOCUMENTS

CN 307369413 \* 5/2022  
CN 307377061 \* 5/2022

OTHER PUBLICATIONS

“Waterproof Led Fairy String Lights Garland Meteor Shower Lights Christmas Decorations Lights”, first accessed Jun. 9, 2022. Alibaba.com [https://www.alibaba.com/product-detail/Waterproof-Led-Fairy-String-Lights-Garland\_1600383966741.html?spm=a2700.shop\_plgr.41413.13.530c2cc%E2%80%A6] (Year: 2022).\*

(Continued)

*Primary Examiner* — Rosemary K Tarcza

*Assistant Examiner* — Seth David Kumpf

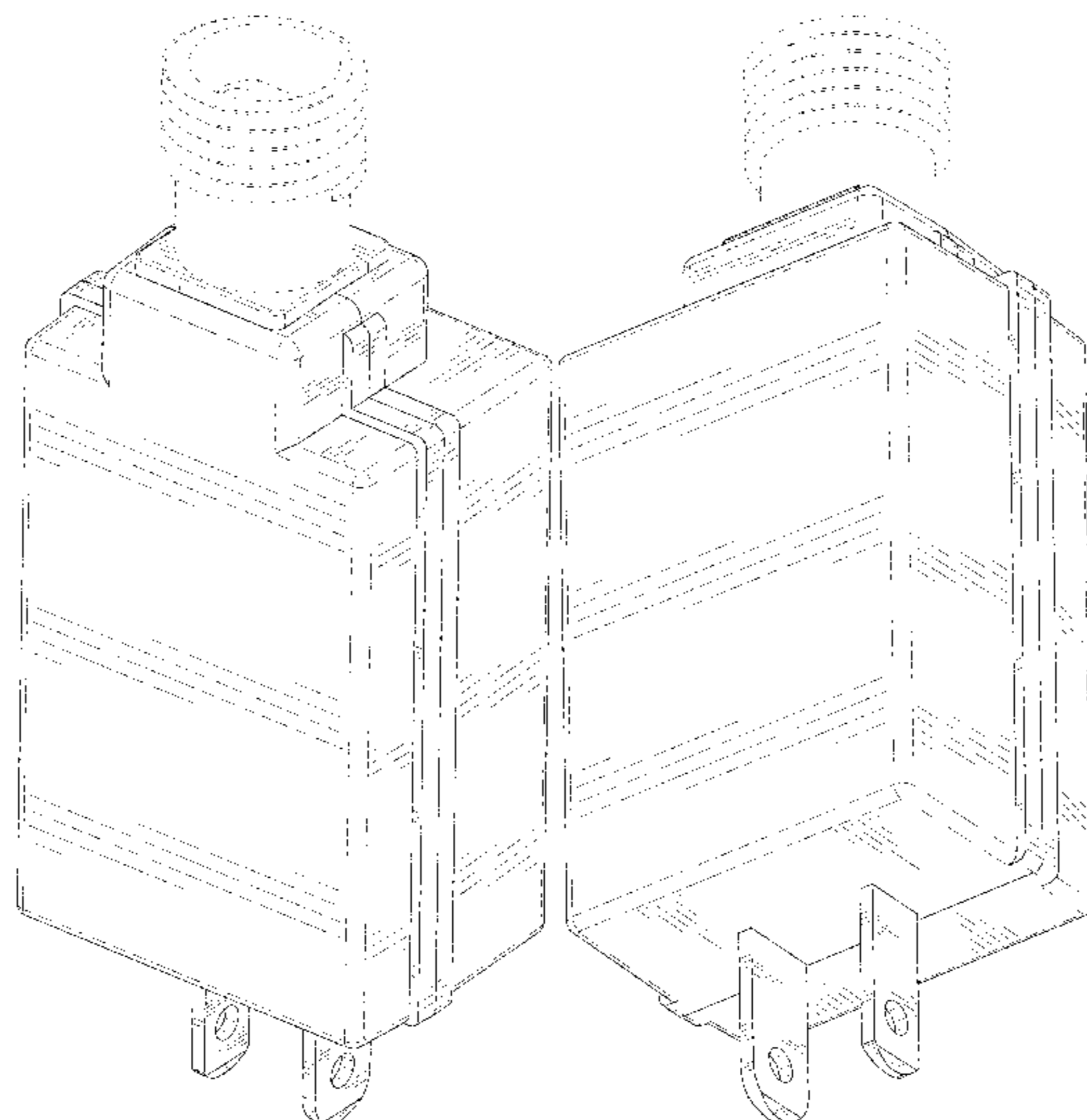
(57) **CLAIM**

The ornamental design for a power plug, as shown and described.

**DESCRIPTION**

FIG. 1 is a perspective view of a power plug showing my new design;  
FIG. 2 is another perspective view thereof;  
FIG. 3 is a front elevational view thereof  
FIG. 4 is a rear elevational view thereof;  
FIG. 5 is a left side elevational view thereof;  
FIG. 6 is a right side elevational view thereof;  
FIG. 7 is a top plan view thereof; and,  
FIG. 8 is a bottom plan view thereof.  
The broken lines in the drawings depict portions of the power plug that form no part of the claimed design.

**1 Claim, 8 Drawing Sheets**



(56)

**References Cited**

U.S. PATENT DOCUMENTS

D295,622	S *	5/1988	Good	.....	D13/137.3
D315,141	S *	3/1991	Hames	.....	D13/160
D367,262	S *	2/1996	Lux	.....	D13/137.3
D434,378	S *	11/2000	Ullmann	.....	D13/138.1
D640,631	S *	6/2011	Smith	.....	D13/138.1
8,047,873	B1 *	11/2011	Wang	.....	H01R 13/5202 439/589
D687,778	S *	8/2013	Utz	.....	D13/133
RE46,006	E *	5/2016	Uekihara	.....	D13/110
D829,662	S	10/2018	Kusano et al.		
D910,557	S *	2/2021	Huang	.....	D13/110
D922,321	S	6/2021	Wu		
D952,561	S *	5/2022	Huang	.....	D13/110
2019/0081431	A1 *	3/2019	Heyman	.....	H01R 31/065
2019/0280524	A1 *	9/2019	Wan	.....	H01R 13/70
2021/0143573	A1 *	5/2021	Zhang	.....	H01R 13/521

OTHER PUBLICATIONS

“Outdoor Waterproof IP65 Christmas Leather line lights 100m 800 LED wedding Holiday decoration fairy copper wire string lights”, first accessed Jun. 9, 2022. Alibaba.com [[https://www.alibaba.com/product-detail/Outdoor-Waterproof-IP65-christmas-Leather-line\\_1600380751731.html](https://www.alibaba.com/product-detail/Outdoor-Waterproof-IP65-christmas-Leather-line_1600380751731.html)] (Year: 2022).\*

“Color Changing Garland Window Curtain Christmas Party Lighting Festival Decoration String Light”, first accessed Jun. 9, 2022. Alibaba.com [[https://www.alibaba.com/product-detail/Color-Changing-Garland-Window-Curtain-Christmas\\_1600383655808.html](https://www.alibaba.com/product-detail/Color-Changing-Garland-Window-Curtain-Christmas_1600383655808.html)] (Year: 2022).\*

“Amazon Hot Sale Ramadan Christmas Lights 10m 100led 33ft 8 Modes Holiday Lighting Decoration Fairy Led Star String Lights”, first accessed Jun. 9, 2022. Alibaba.com [[https://www.alibaba.com/product-detail/Amazon-Hot-Sale-Ramadan-Christmas-Lights\\_60688891148.html](https://www.alibaba.com/product-detail/Amazon-Hot-Sale-Ramadan-Christmas-Lights_60688891148.html)] (Year: 2022).\*

\* cited by examiner

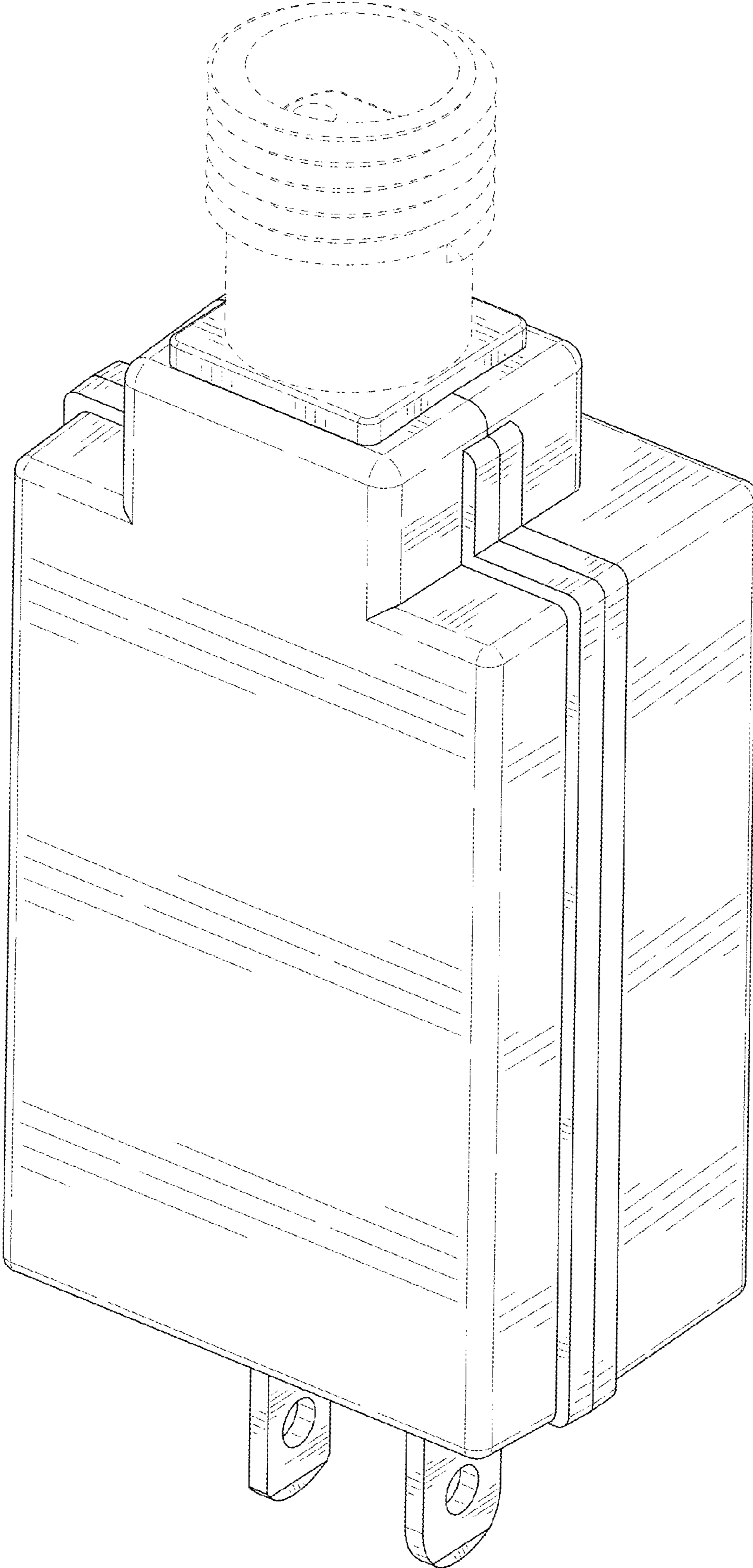


FIG. 1

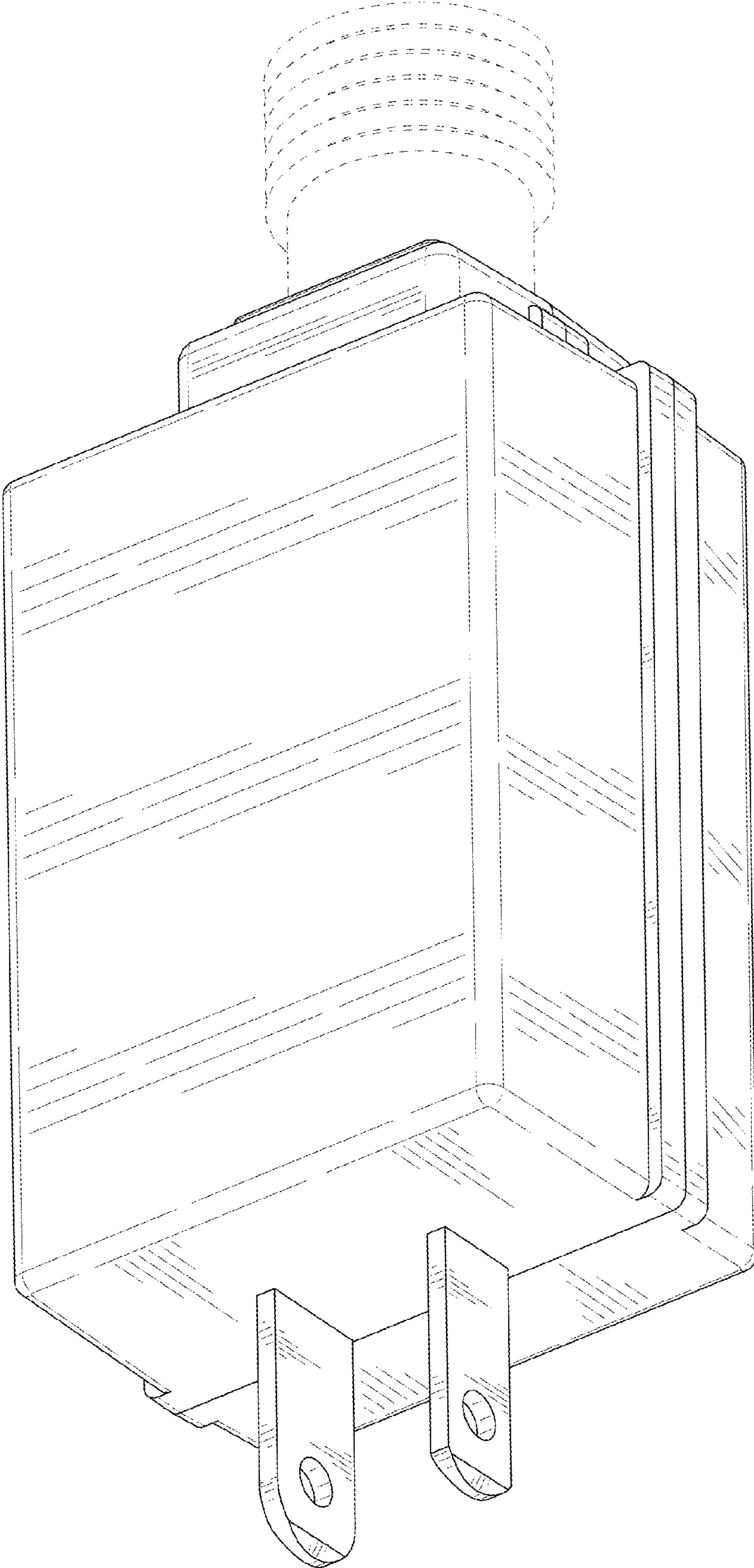


FIG. 2

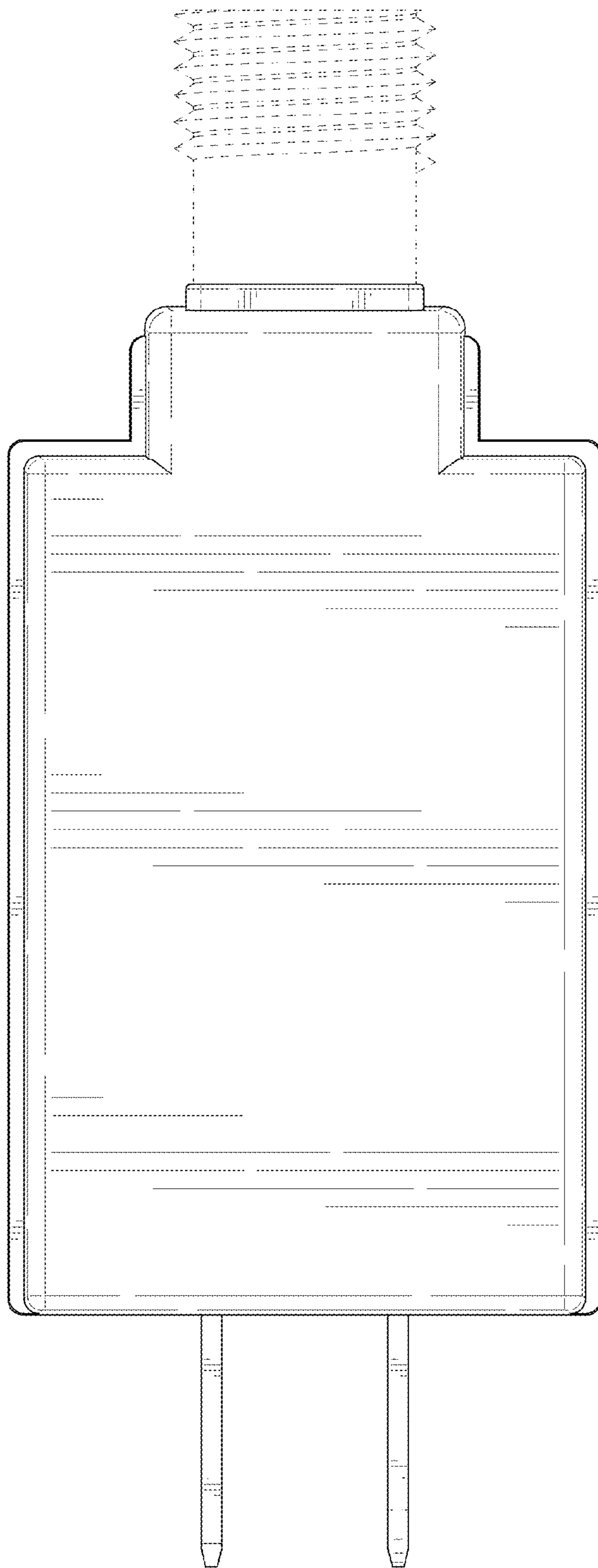


FIG. 3

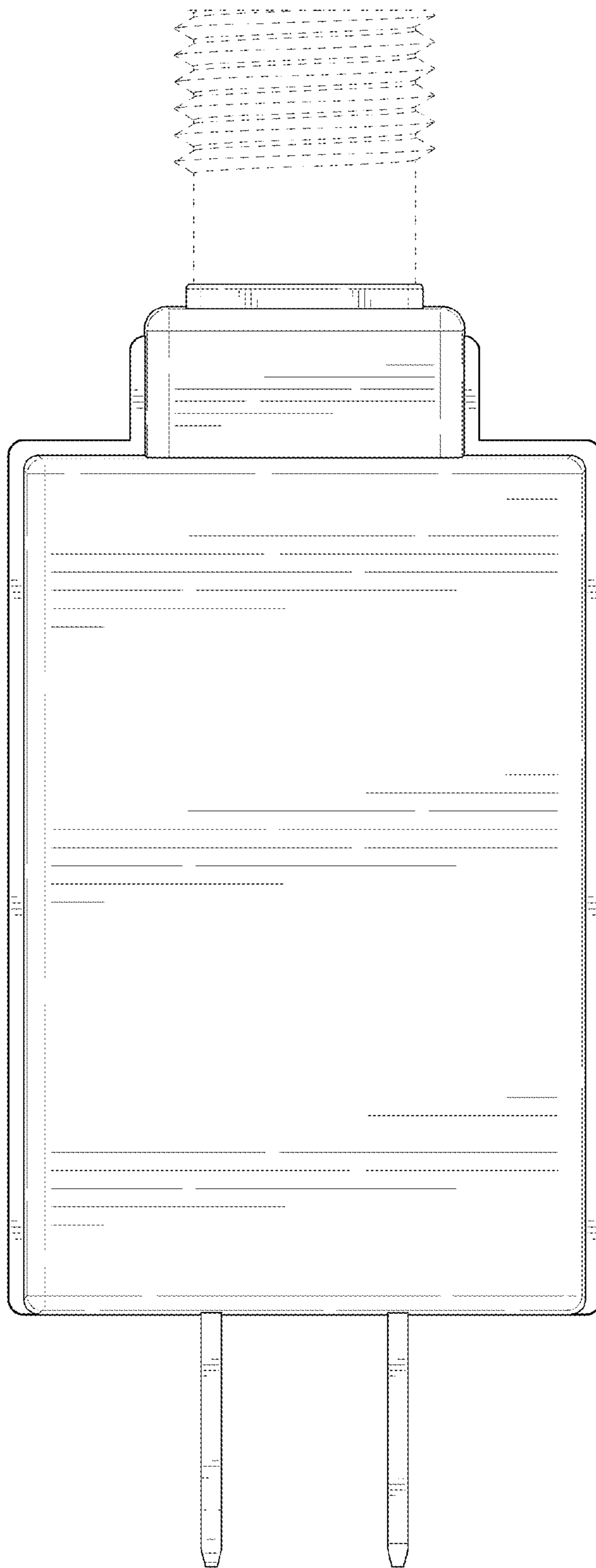


FIG. 4

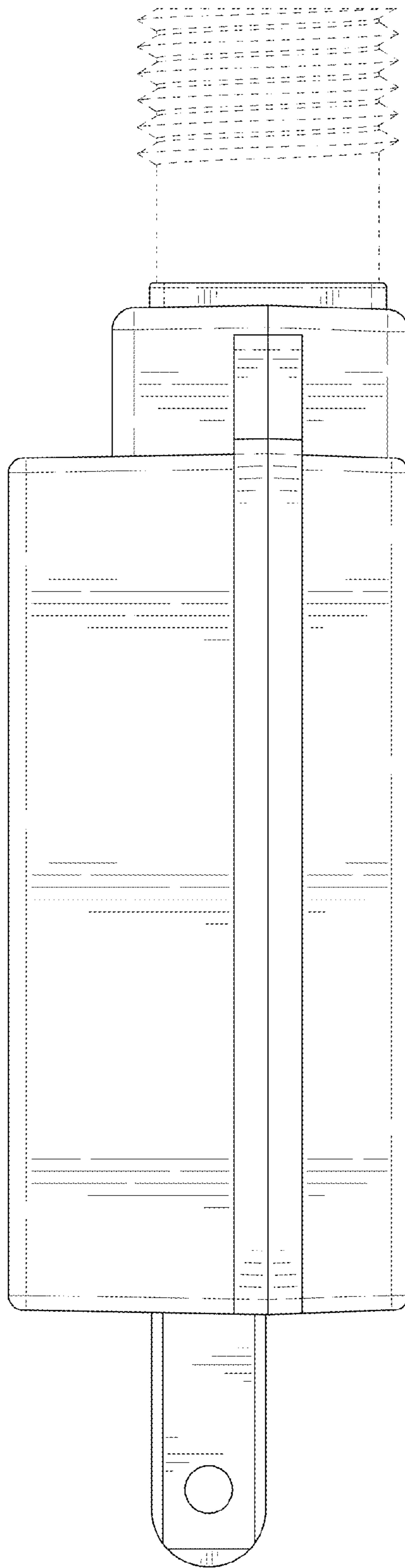


FIG. 5

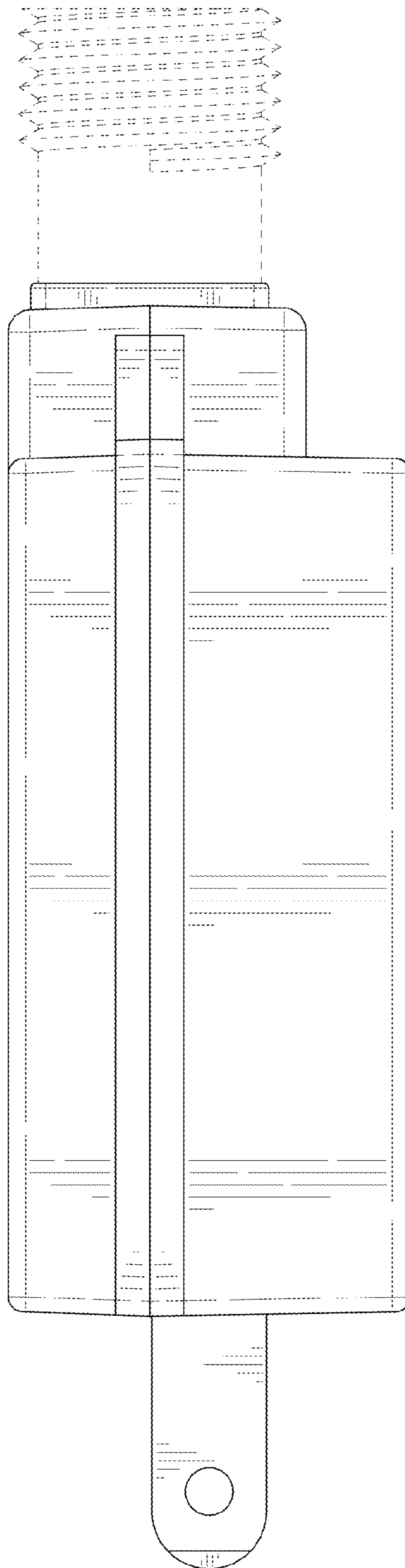


FIG. 6



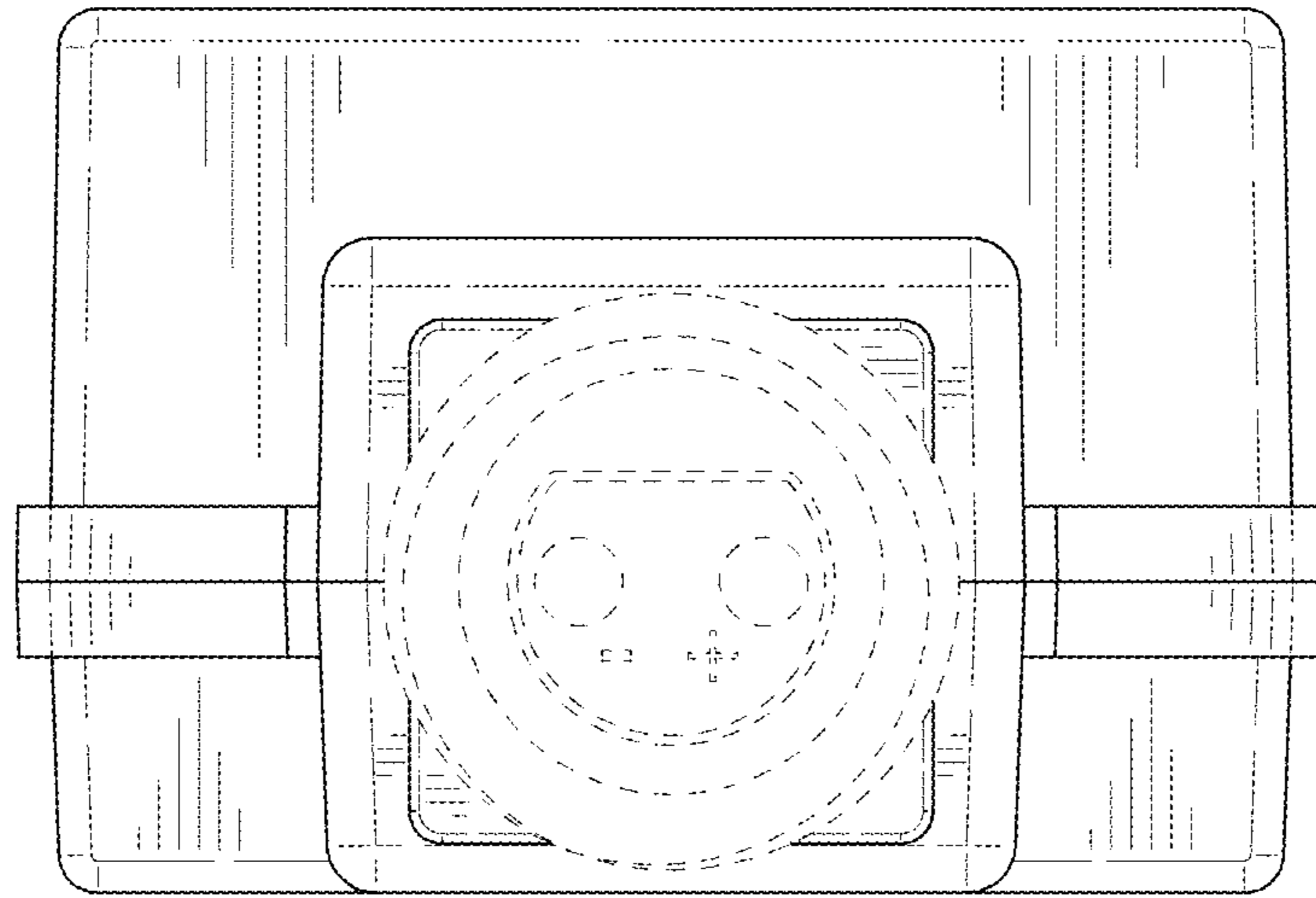


FIG. 7

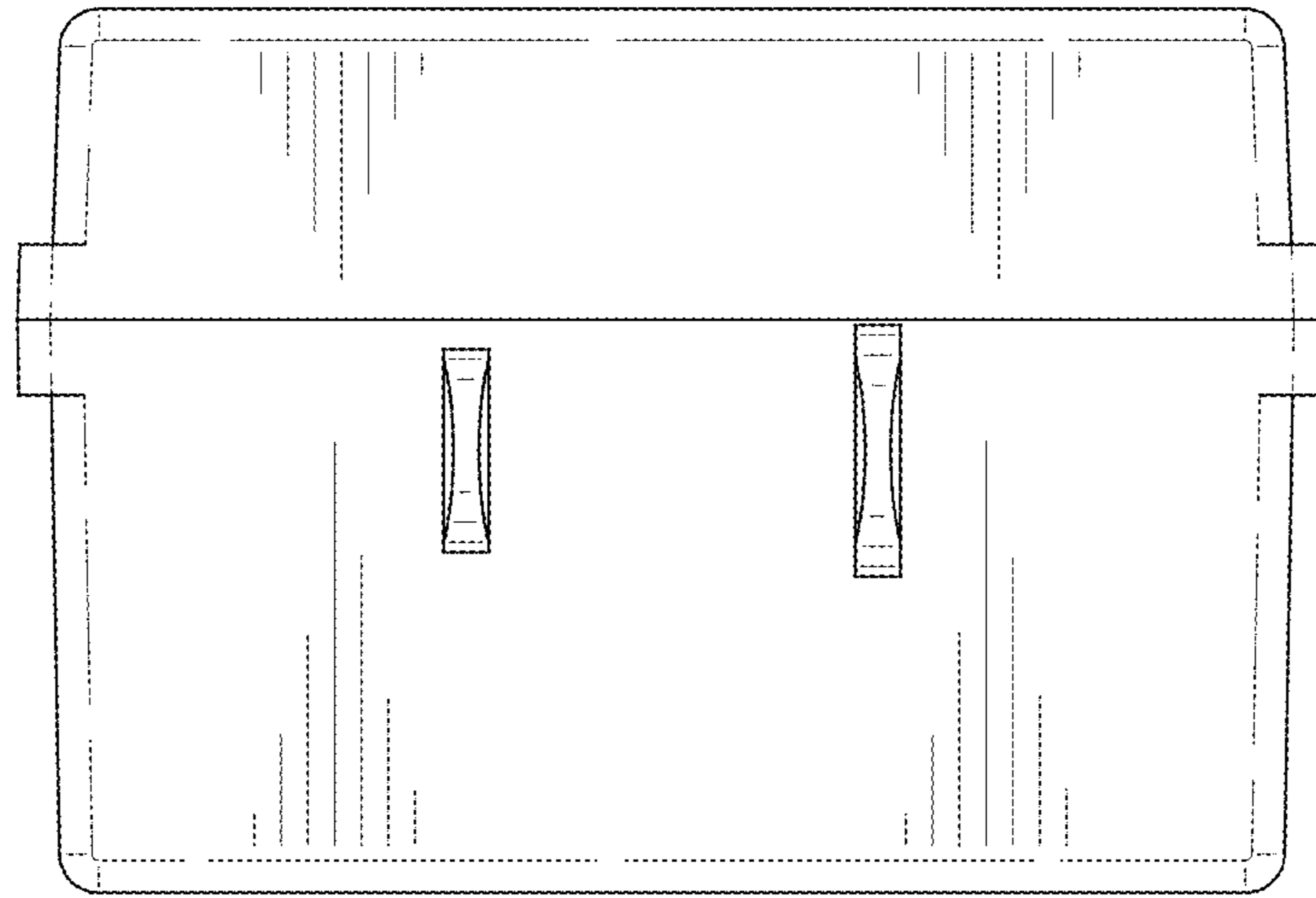


FIG. 8