



US00D959371S

(12) **United States Design Patent**
Liao

(10) **Patent No.:** **US D959,371 S**

(45) **Date of Patent:** **** Aug. 2, 2022**

(54) **OUTDOOR POWER SUPPLY**

FOREIGN PATENT DOCUMENTS

(71) Applicant: **Man Liao**, Hunan (CN)

JP D1706156 * 1/2022

(72) Inventor: **Man Liao**, Hunan (CN)

OTHER PUBLICATIONS

(**) Term: **15 Years**

(21) Appl. No.: **29/794,486**

“DenGaWa Portable Power Station 250Wh, Laptop Charger Lithium Battery Power Supply with 110V/250W Pure Sine Wave AC Output, DC USB Ports for Outdoors Camping Home Emergency”, Amazon.com, First Available Aug. 19, 2019. Retrieved from the internet at: <<https://www.amazon.com/DenGaWa-Portable-Station-Outdoors-Emergency/dp/B07WQYLZfq/>>. (Year: 2019).*

(22) Filed: **Jun. 12, 2021**

(51) **LOC (13) Cl.** **13-02**

(52) **U.S. Cl.**
USPC **D13/110**

* cited by examiner

(58) **Field of Classification Search**
USPC D13/103, 107–108, 110, 118–119, 184,
D13/199, 106

Primary Examiner — Rosemary K Tarcza

CPC H02J 7/0013; H02J 7/0014; H02J 7/0019;
H05K 5/0086; H01M 10/4257; H01M
10/441; H01M 10/46

(57) **CLAIM**

The ornamental design for an outdoor power supply, as shown and described.

See application file for complete search history.

DESCRIPTION

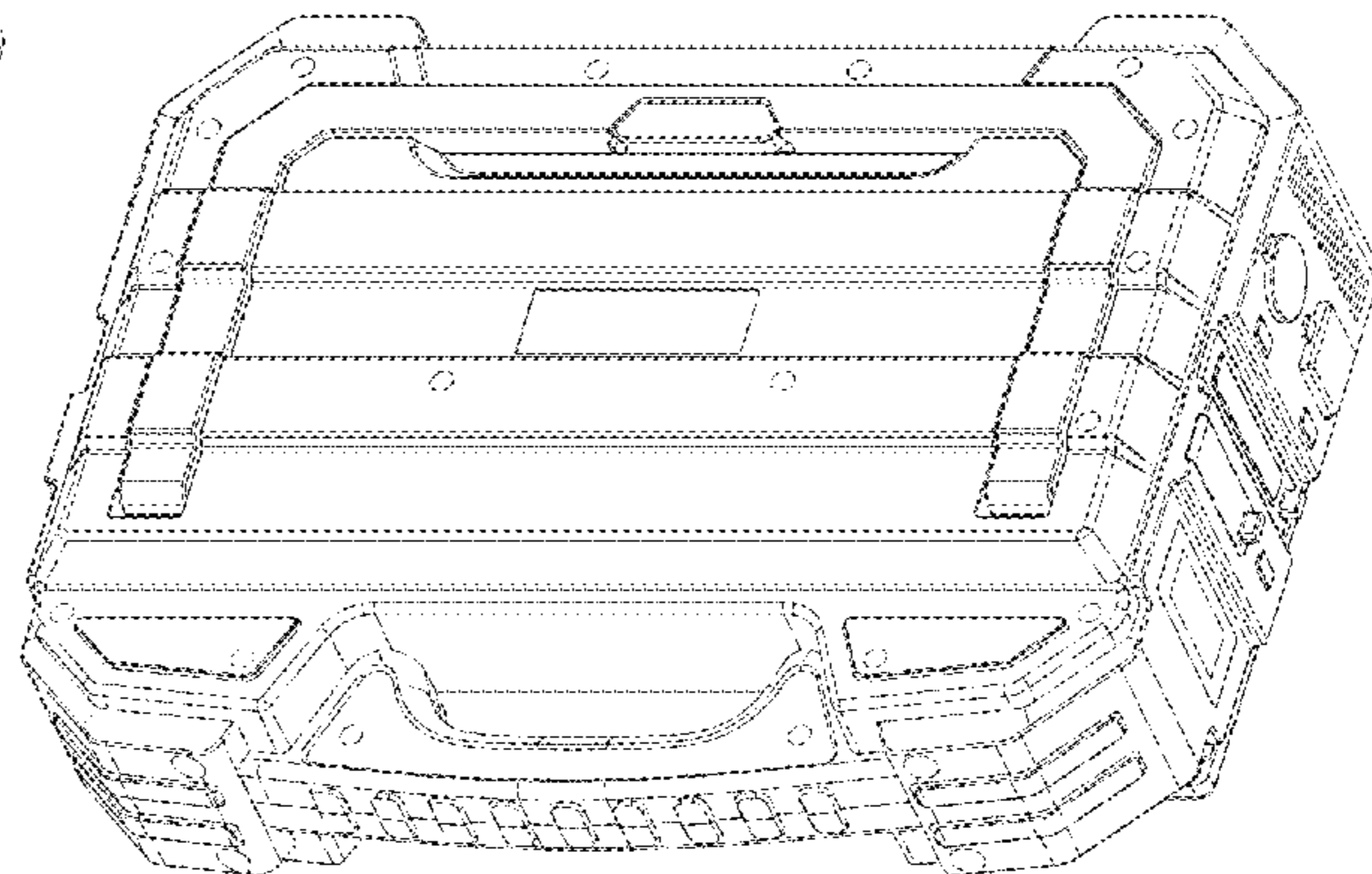
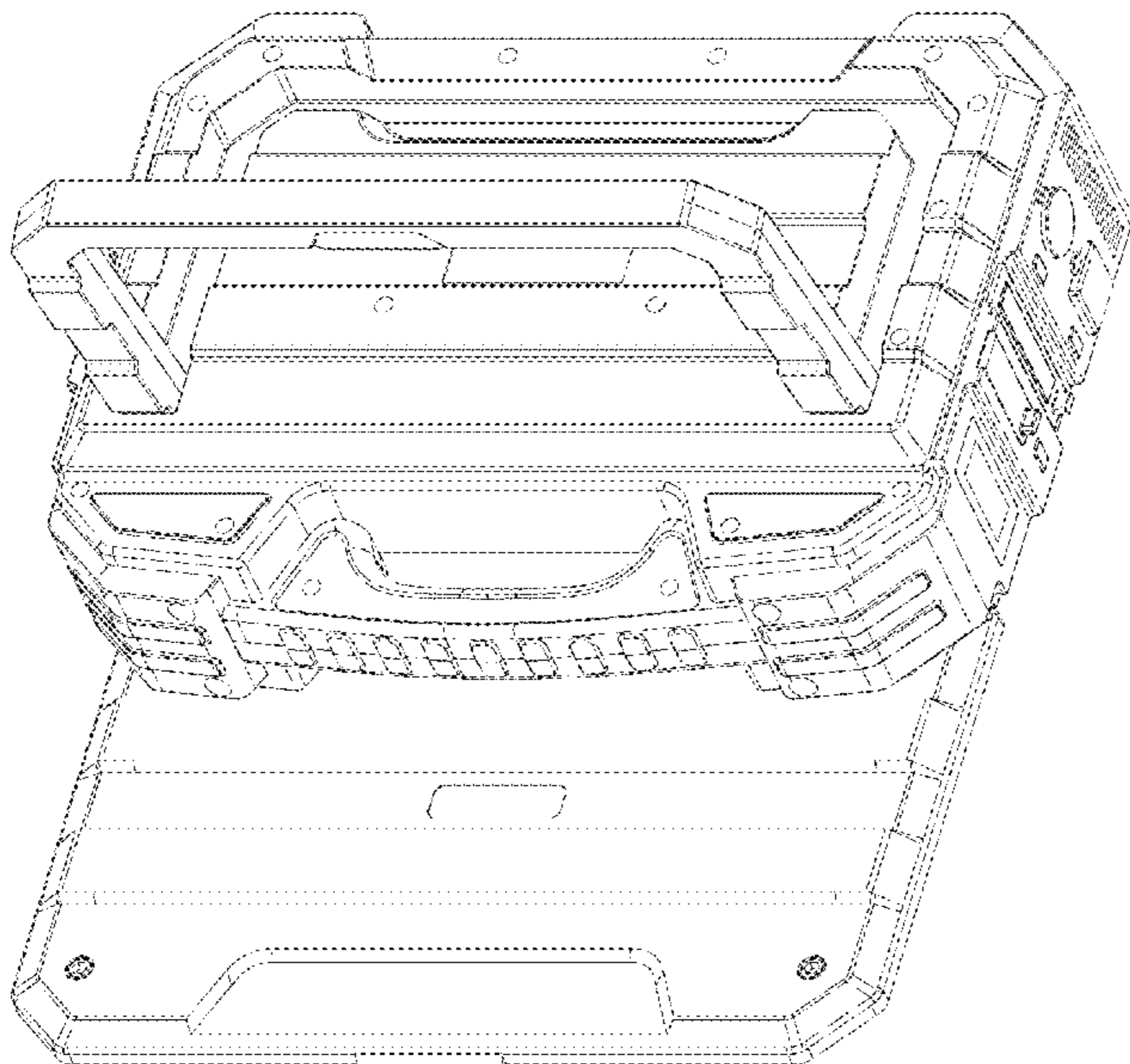
(56) **References Cited**

U.S. PATENT DOCUMENTS

D531,956 S	*	11/2006	Krieger	D13/107
D532,364 S	*	11/2006	Krieger	D13/107
D664,502 S	*	7/2012	Inskeep	D13/107
D761,203 S	*	7/2016	Inskeep	D13/110
D813,161 S	*	3/2018	Ortakales	D13/110
D821,313 S	*	6/2018	Yang	D13/110
D870,042 S	*	12/2019	Chen	D13/110
D871,334 S	*	12/2019	Chen	D13/110
D910,555 S	*	2/2021	Shum	D13/110
D911,952 S	*	3/2021	Yin	D13/103

FIG. 1 is a perspective view of an outdoor power supply in open status showing my new design;
FIG. 2 is another perspective view of an outdoor power supply in folding status therefore;
FIG. 3 is a front view thereof;
FIG. 4 is a back view thereof;
FIG. 5 is a top view thereof;
FIG. 6 is a bottom view thereof;
FIG. 7 is a right side view thereof; and,
FIG. 8 is a left side view thereof.

1 Claim, 8 Drawing Sheets



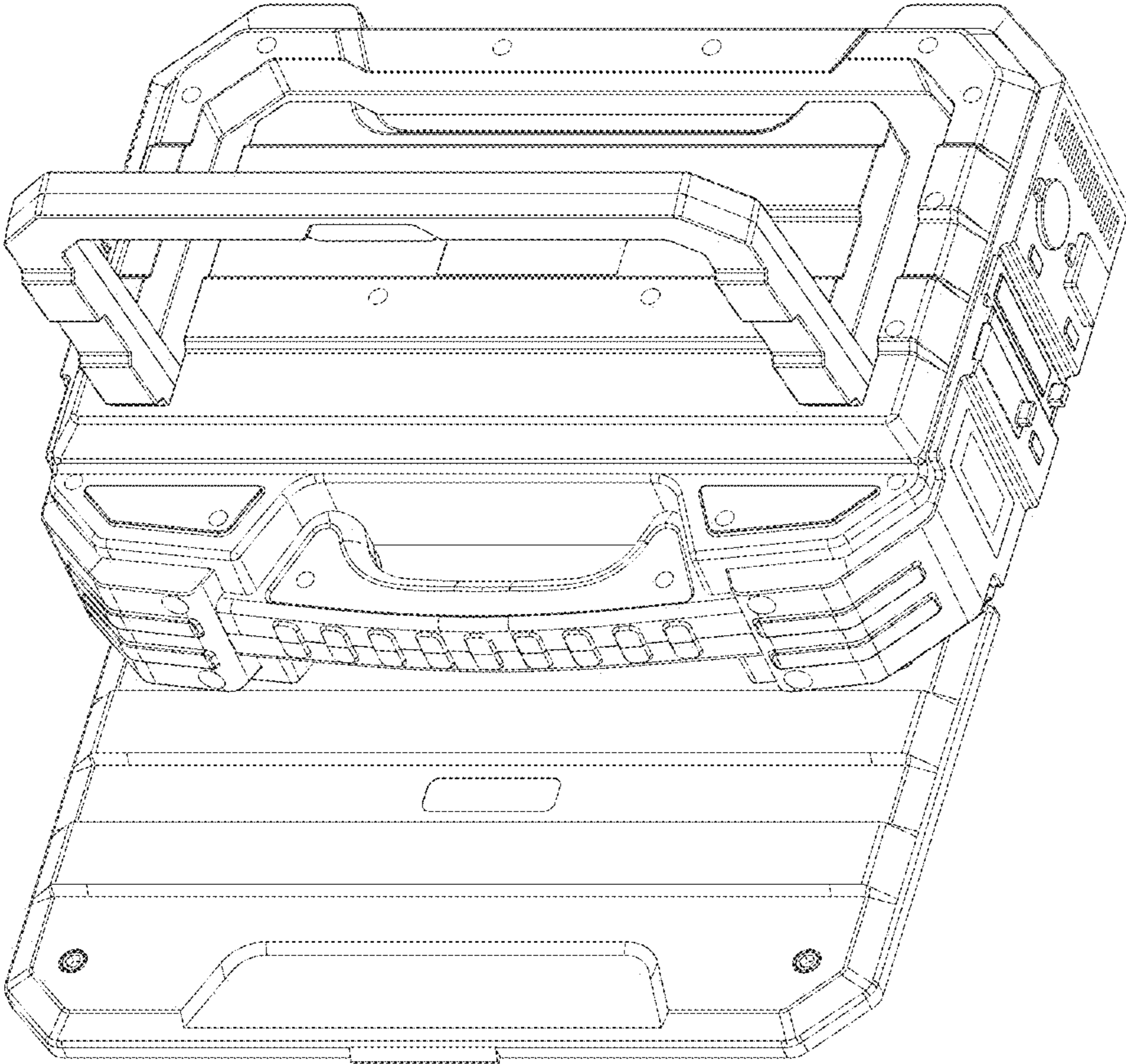


FIG. 1

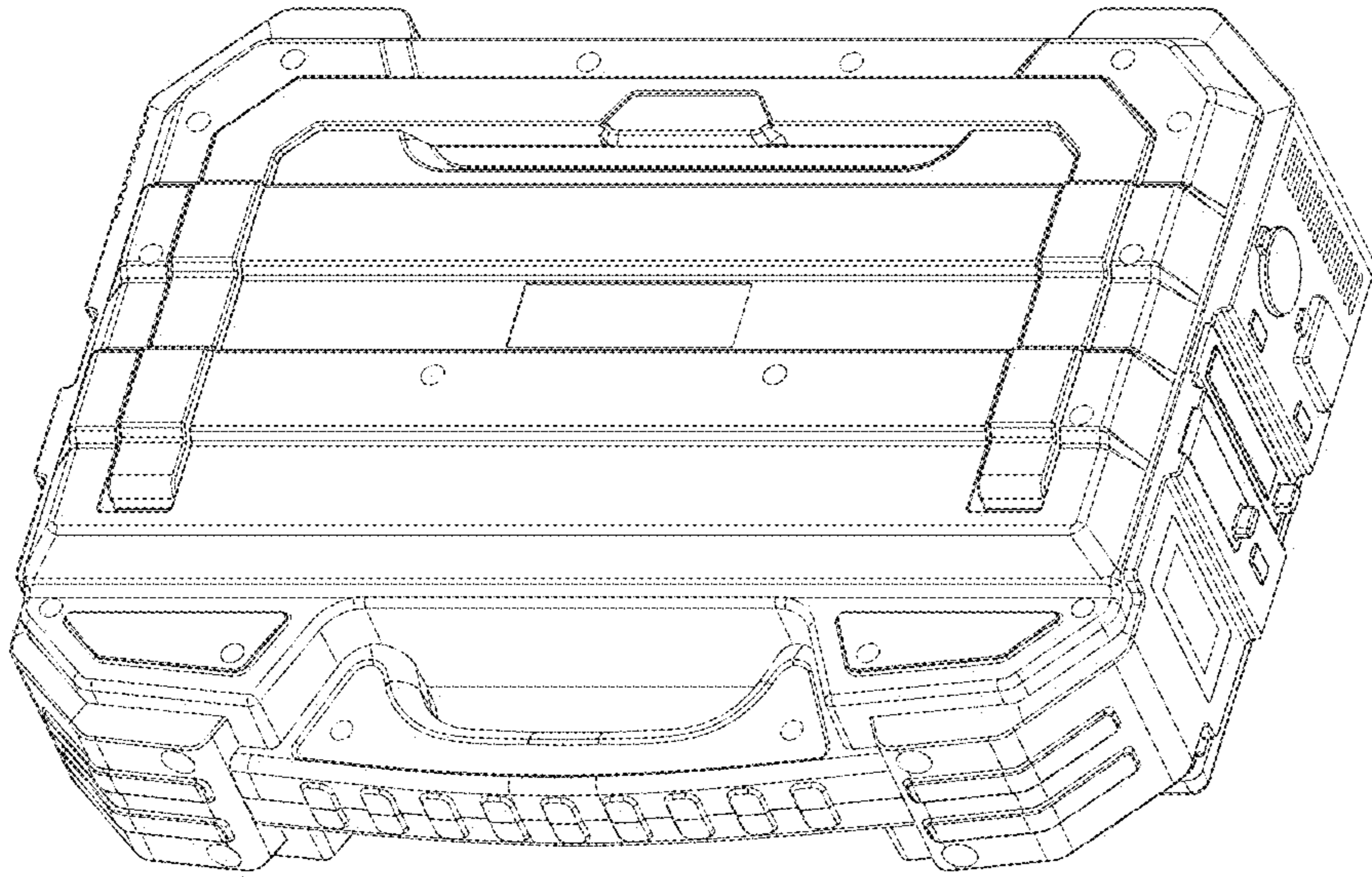


FIG. 2

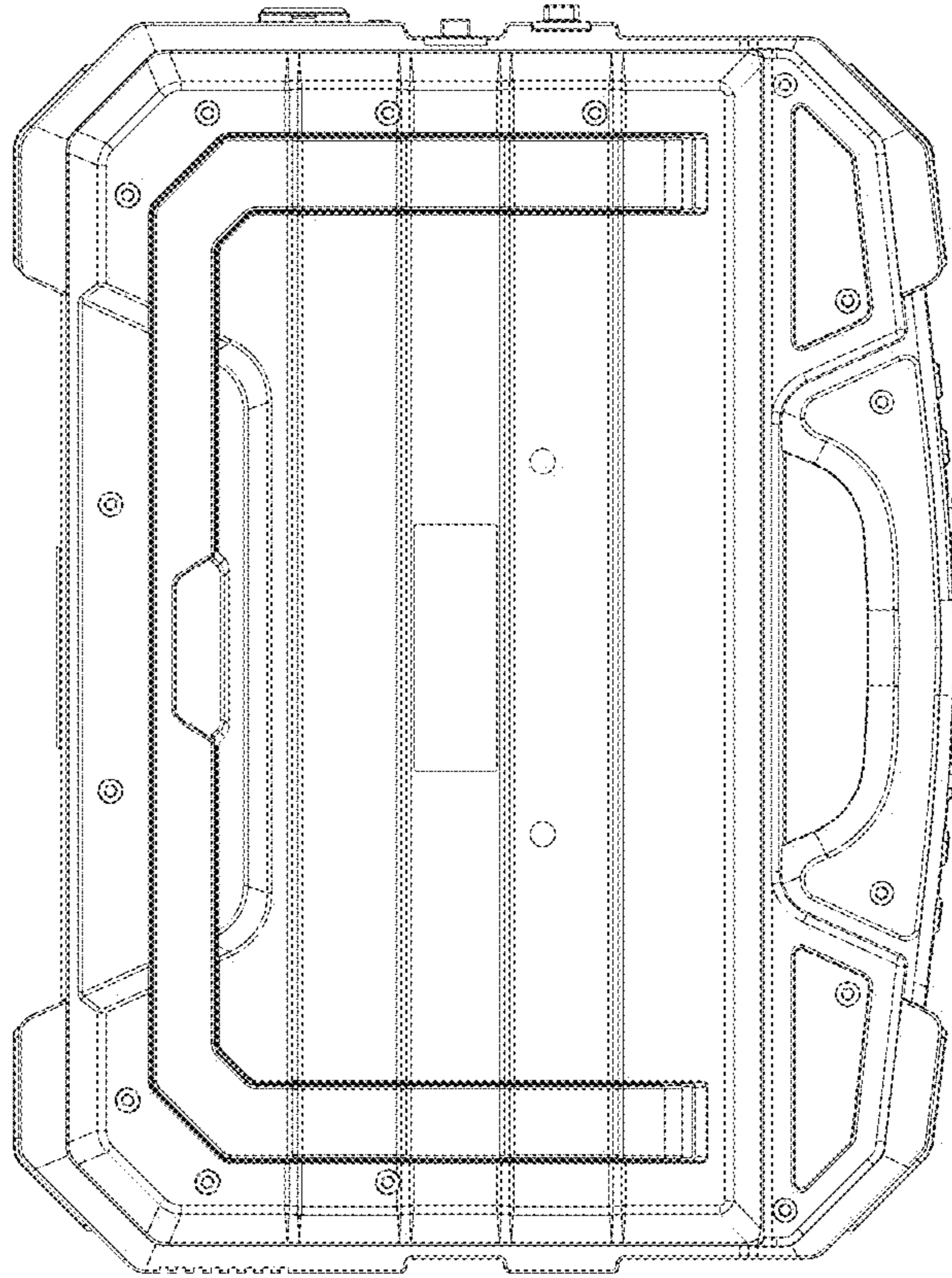


FIG. 3

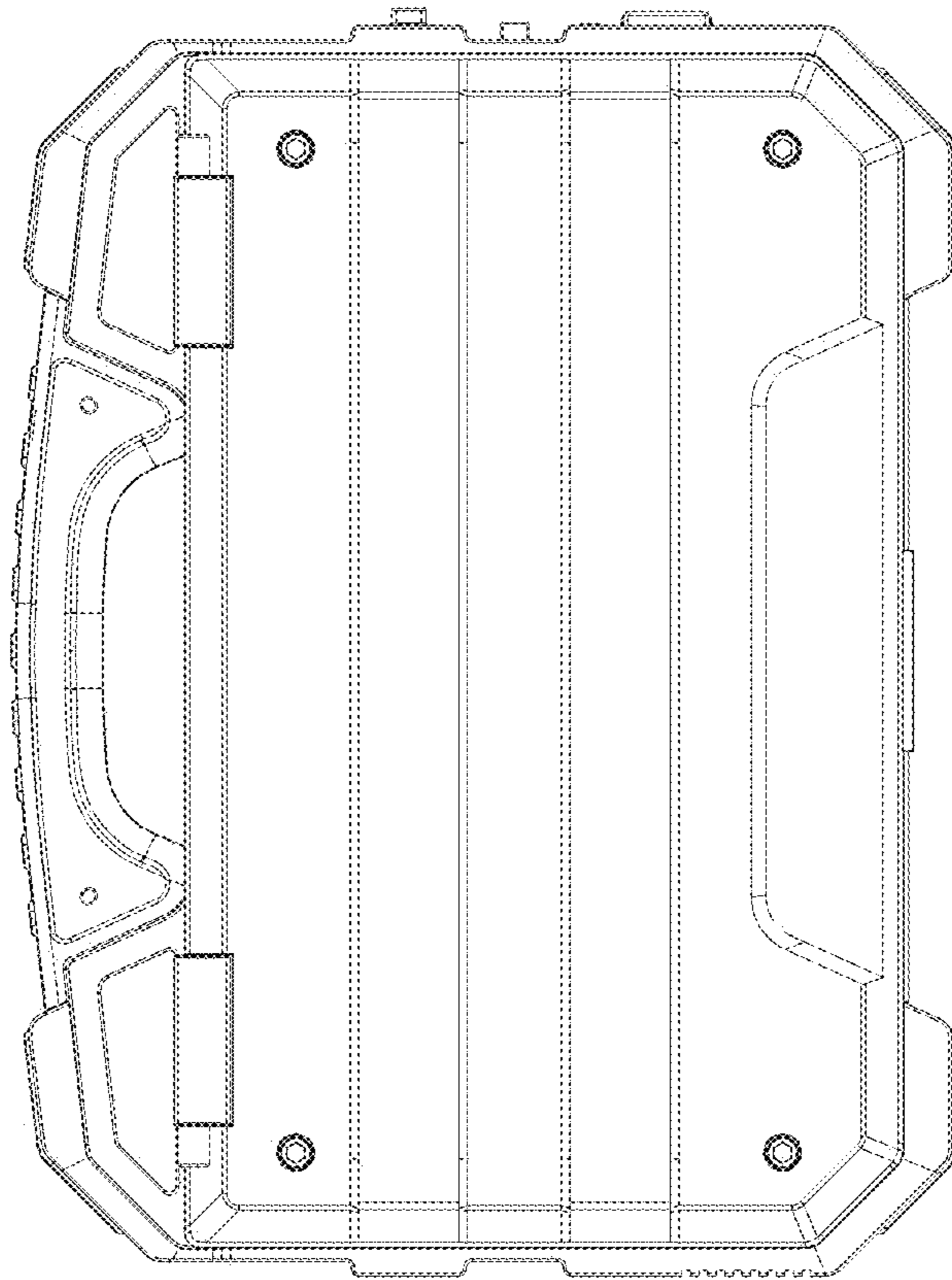


FIG. 4

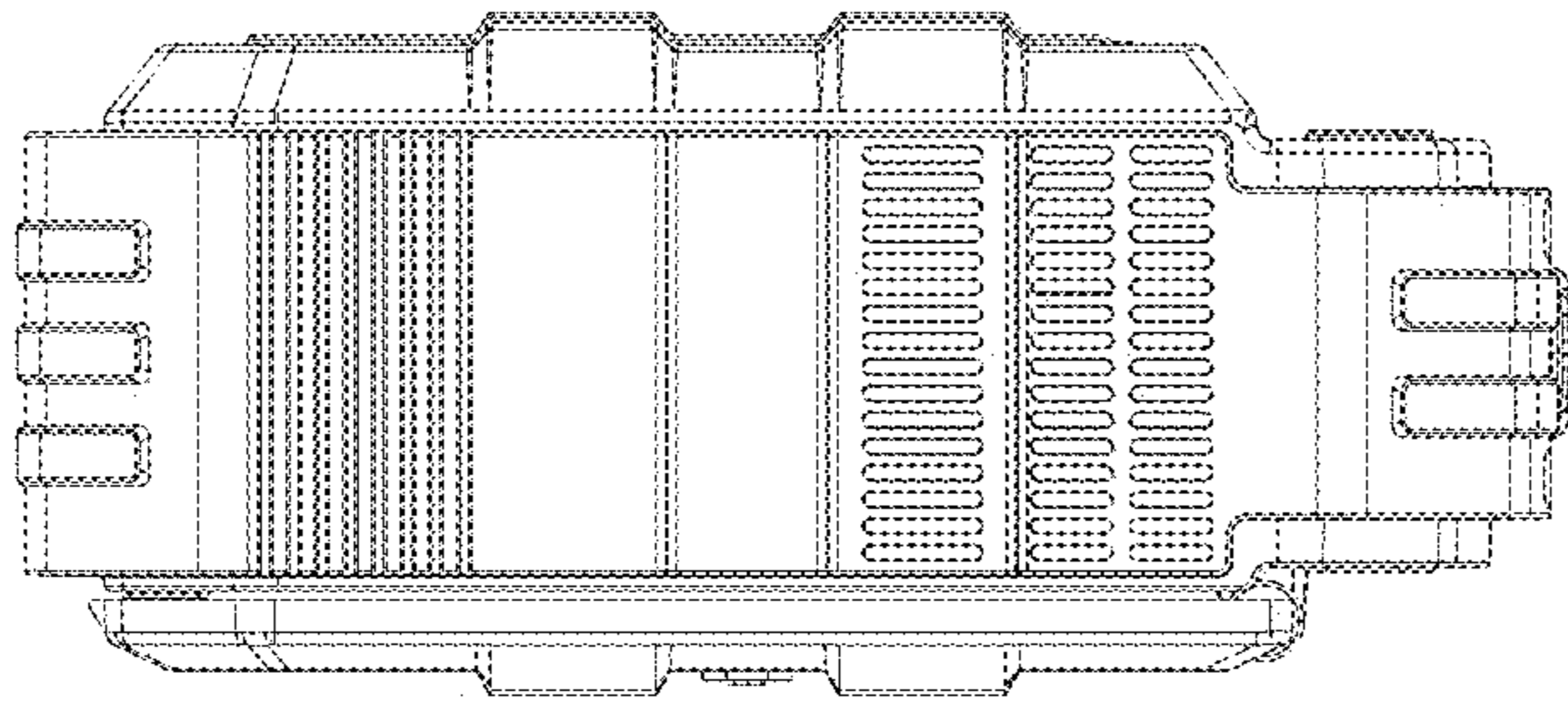


FIG. 5

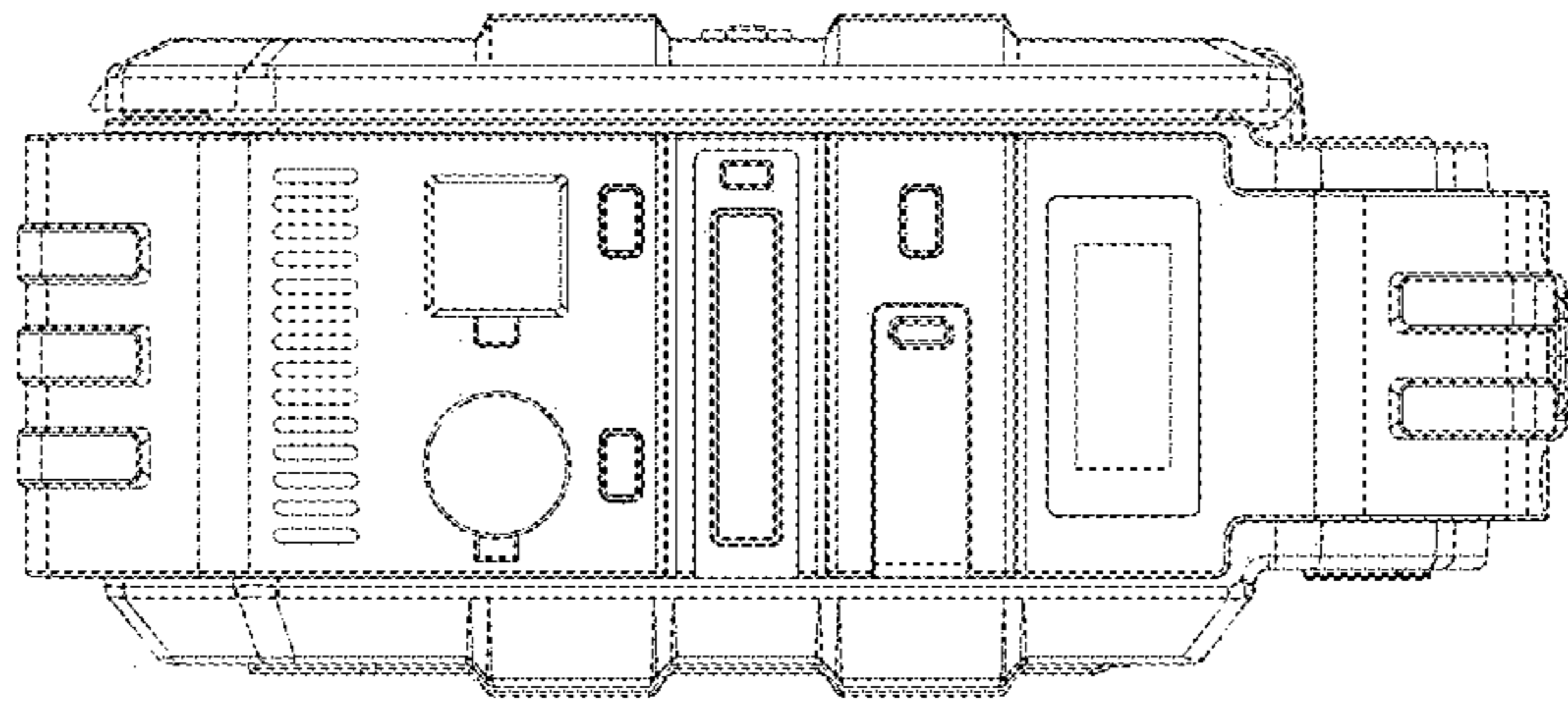


FIG. 6

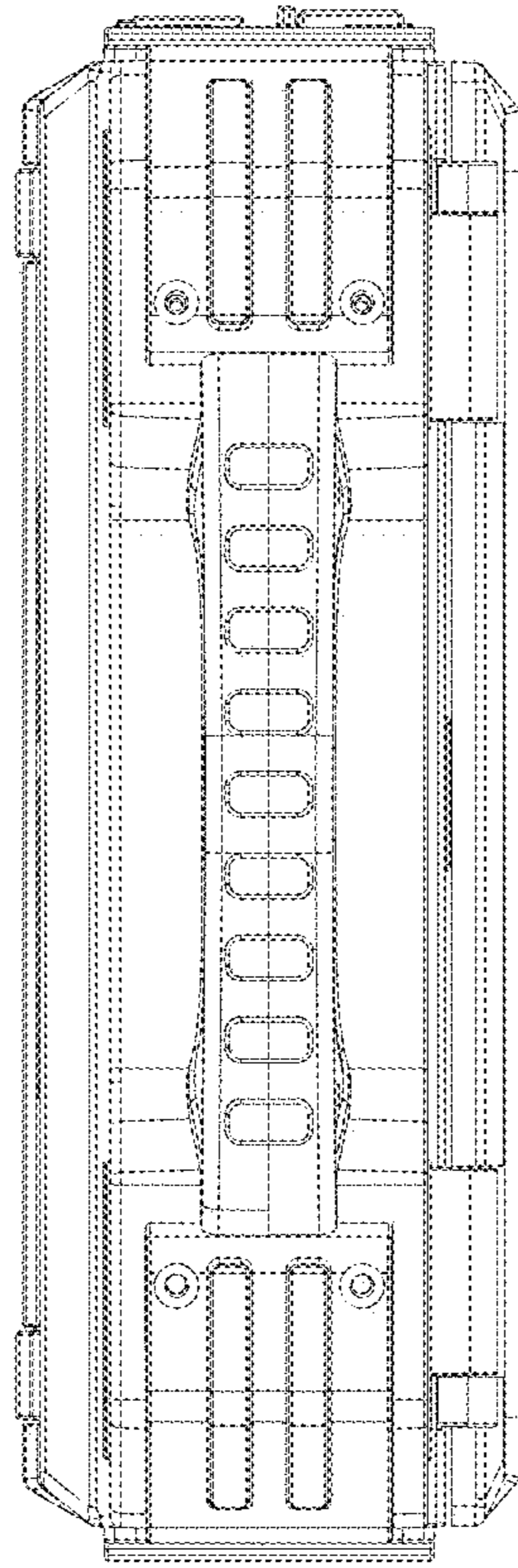


FIG. 7

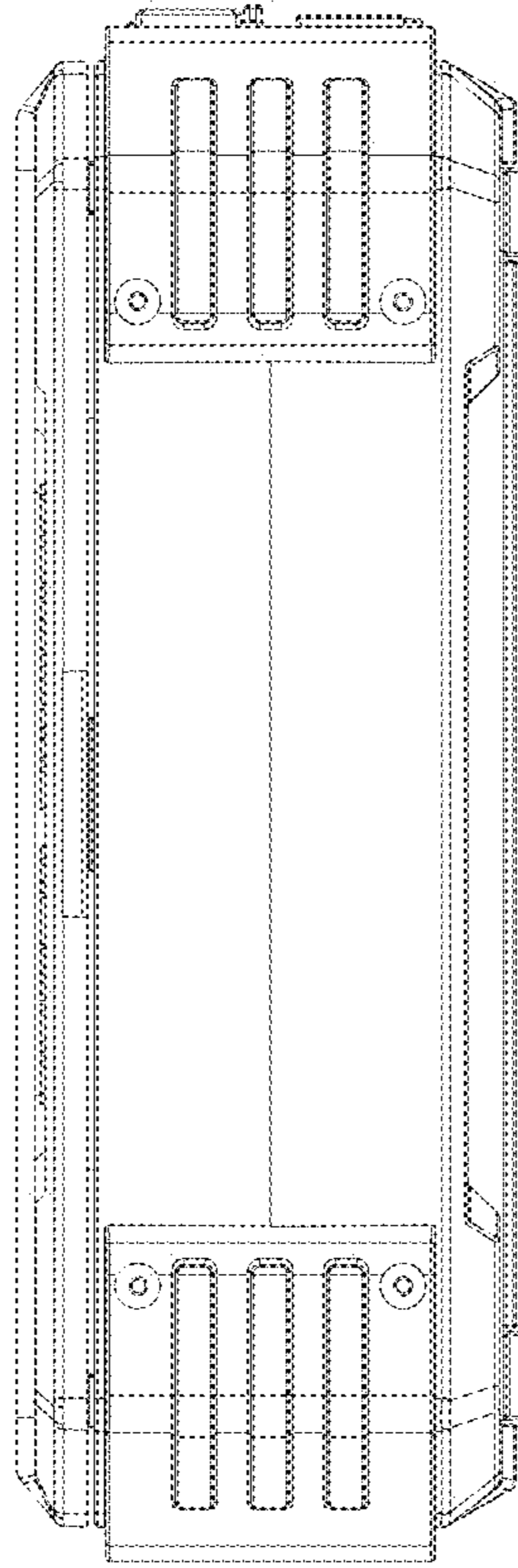


FIG. 8