



US00D959369S

(12) **United States Design Patent**
Huang

(10) **Patent No.:** **US D959,369 S**

(45) **Date of Patent:** **** Aug. 2, 2022**

(54) **USB CAR CHARGER**

(71) Applicant: **Ruiwu Huang**, Shenzhen (CN)

(72) Inventor: **Ruiwu Huang**, Shenzhen (CN)

(**) Term: **15 Years**

(21) Appl. No.: **29/801,496**

(22) Filed: **Jul. 29, 2021**

(51) **LOC (13) Cl.** **13-02**

(52) **U.S. Cl.**

USPC **D13/108**; D13/144

(58) **Field of Classification Search**

USPC D13/107–110, 118, 119, 184, 199, 151,
D13/153, 154, 155, 144, 133, 147;
D14/433

CPC Y02E 60/12; H02J 7/025; H02J 7/0042;
H02J 7/0044; H02J 7/0045; H02J 7/0003;
H02J 7/0027; H02J 7/0013; H02J 7/0054;
H02J 7/00; H02J 2001/008; H02J 3/32;
H02J 3/008; H01F 38/14; H01R 13/6675;
H01R 31/065; H01R 31/00; H01R 31/06;
H01M 2/1022; H01M 2/1055; H01M
10/44; H01M 10/46; H01M 10/425; B60L
11/182; B60L 11/1809; B60L 11/1861;
B60R 16/03

See application file for complete search history.

(56) **References Cited**

U.S. PATENT DOCUMENTS

D492,249 S *	6/2004	Suomalainen	D13/108
D569,876 S *	5/2008	Griffin	D14/496
D585,824 S *	2/2009	Ebodi	D13/108
D604,699 S *	11/2009	Yamamoto	D13/110
D607,404 S *	1/2010	Orion	D13/110
D614,137 S *	4/2010	Son	D13/108
D618,618 S *	6/2010	Lee	D13/110
D622,218 S *	8/2010	Tseng	D13/108
D624,500 S *	9/2010	Chan	D13/144

D625,267 S *	10/2010	Tseng	D13/144
D625,690 S *	10/2010	Chan	D13/144
D626,072 S *	10/2010	Tseng	D13/144
D631,836 S *	2/2011	Kao	D13/108
D631,837 S *	2/2011	Smith	D13/108
D654,874 S *	2/2012	Au	D13/144
D655,676 S *	3/2012	Au	D13/144
D656,465 S *	3/2012	Au	D13/144
D656,896 S *	4/2012	Fung	D13/110
D667,377 S *	9/2012	Chan	D13/144
D671,497 S *	11/2012	Smith	D13/144
D672,313 S *	12/2012	Smith	D13/144
D692,832 S *	11/2013	Esses	D13/110
D695,225 S *	12/2013	Chen	D13/144
D711,829 S *	8/2014	Liu	D13/144
D719,916 S *	12/2014	Cheng	D13/144
D720,296 S *	12/2014	Charnis	D13/144
D723,466 S *	3/2015	Wang	D13/110
D727,850 S *	4/2015	Easterly, III	D13/144
D778,822 S *	2/2017	Broadhurst, IV	D13/107

(Continued)

Primary Examiner — Christy Nemeth

(74) *Attorney, Agent, or Firm* — Rumit Ranjit Kanakia

(57)

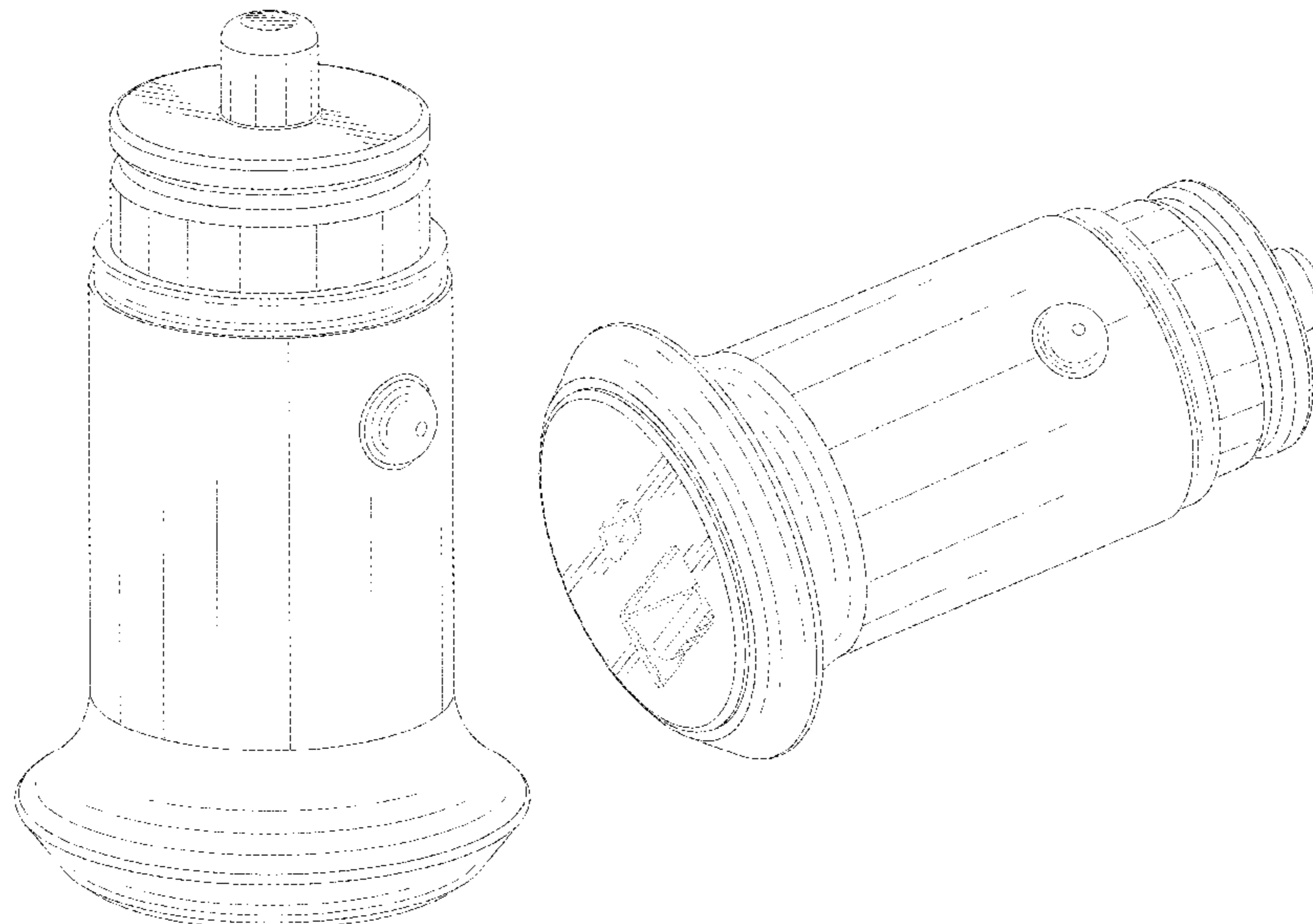
CLAIM

I claim the ornamental design for a USB car charger, as shown and described.

DESCRIPTION

FIG. 1 is a top perspective view of a USB car charger showing my new design;
FIG. 2 is a front elevation view thereof;
FIG. 3 is a rear elevation view thereof;
FIG. 4 is a right-side elevation view thereof;
FIG. 5 is a left-side elevation view thereof;
FIG. 6 is a top plan view thereof;
FIG. 7 is a bottom plan view thereof; and,
FIG. 8 is a bottom perspective view thereof.
The broken lines in the drawings depict portions of the USB car charger that form no part of the claimed design.

1 Claim, 7 Drawing Sheets



(56)

References Cited

U.S. PATENT DOCUMENTS

D780,690	S	*	3/2017	Clapper	D13/108
D805,034	S	*	12/2017	Joseph	D13/108
D807,289	S	*	1/2018	Wang	D13/107
D811,998	S	*	3/2018	Wang	D13/107
D815,034	S	*	4/2018	Zhao	D13/107
D828,813	S	*	9/2018	Liu	D13/144
D847,754	S	*	5/2019	Liu	D13/103
D860,951	S	*	9/2019	Hu	D13/108
D866,461	S	*	11/2019	Arimoto	D13/108
D870,039	S	*	12/2019	Wang	D13/108
D909,964	S	*	2/2021	Sun	D13/103
D913,921	S	*	3/2021	Inskeep	D13/110
D913,947	S	*	3/2021	Xie	D13/144
D915,288	S	*	4/2021	Roberts	D13/144
D926,160	S	*	7/2021	Huang	D14/223
D928,094	S	*	8/2021	Chen	D12/114
D931,205	S	*	9/2021	McIntyre	D13/103
D939,448	S	*	12/2021	Li	D13/144
2014/0328076	A1	*	11/2014	Firman, II	H01R 31/065 362/546
2019/0074697	A1	*	3/2019	Lee	H02J 7/045

* cited by examiner

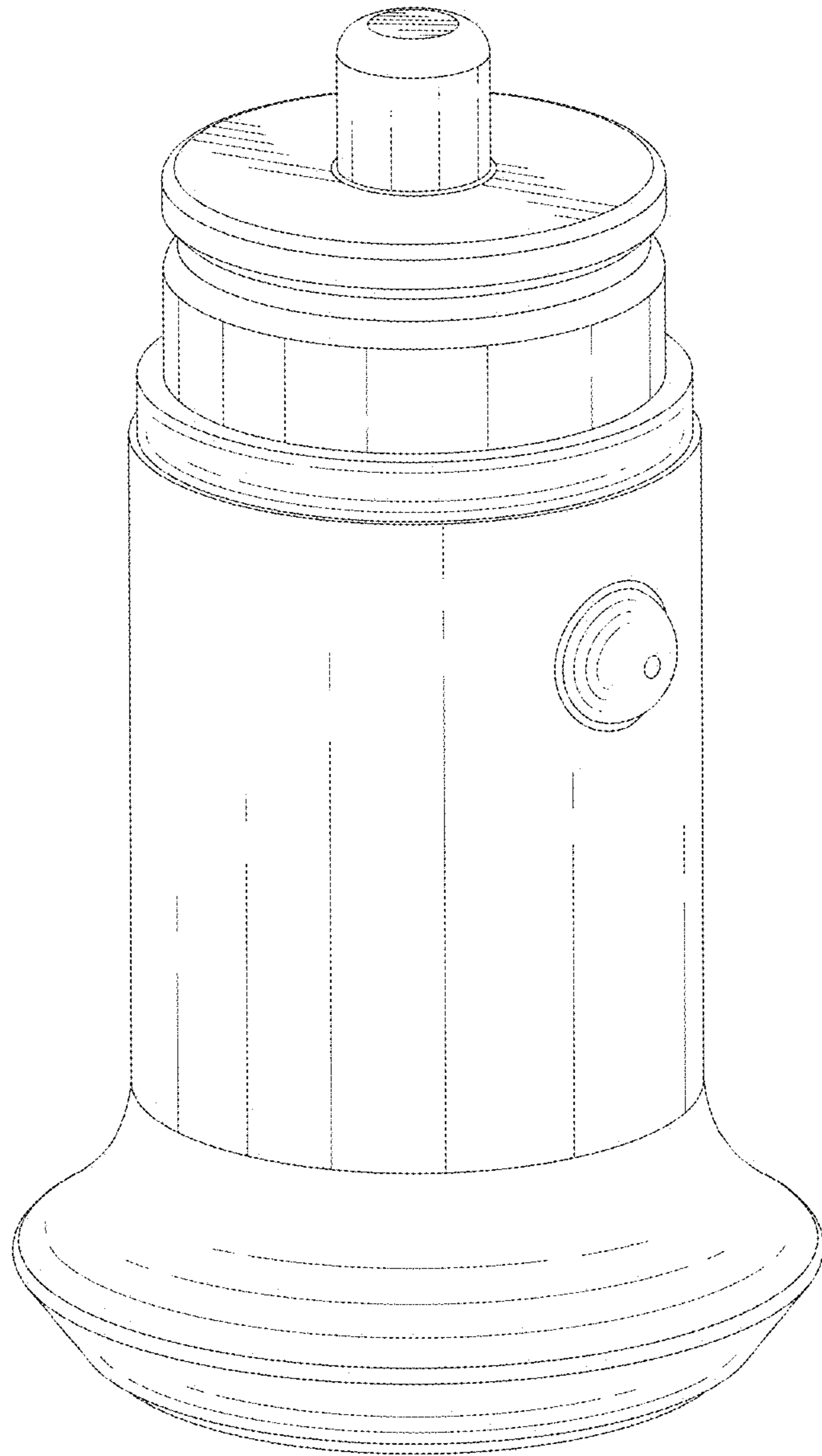


FIG. 1

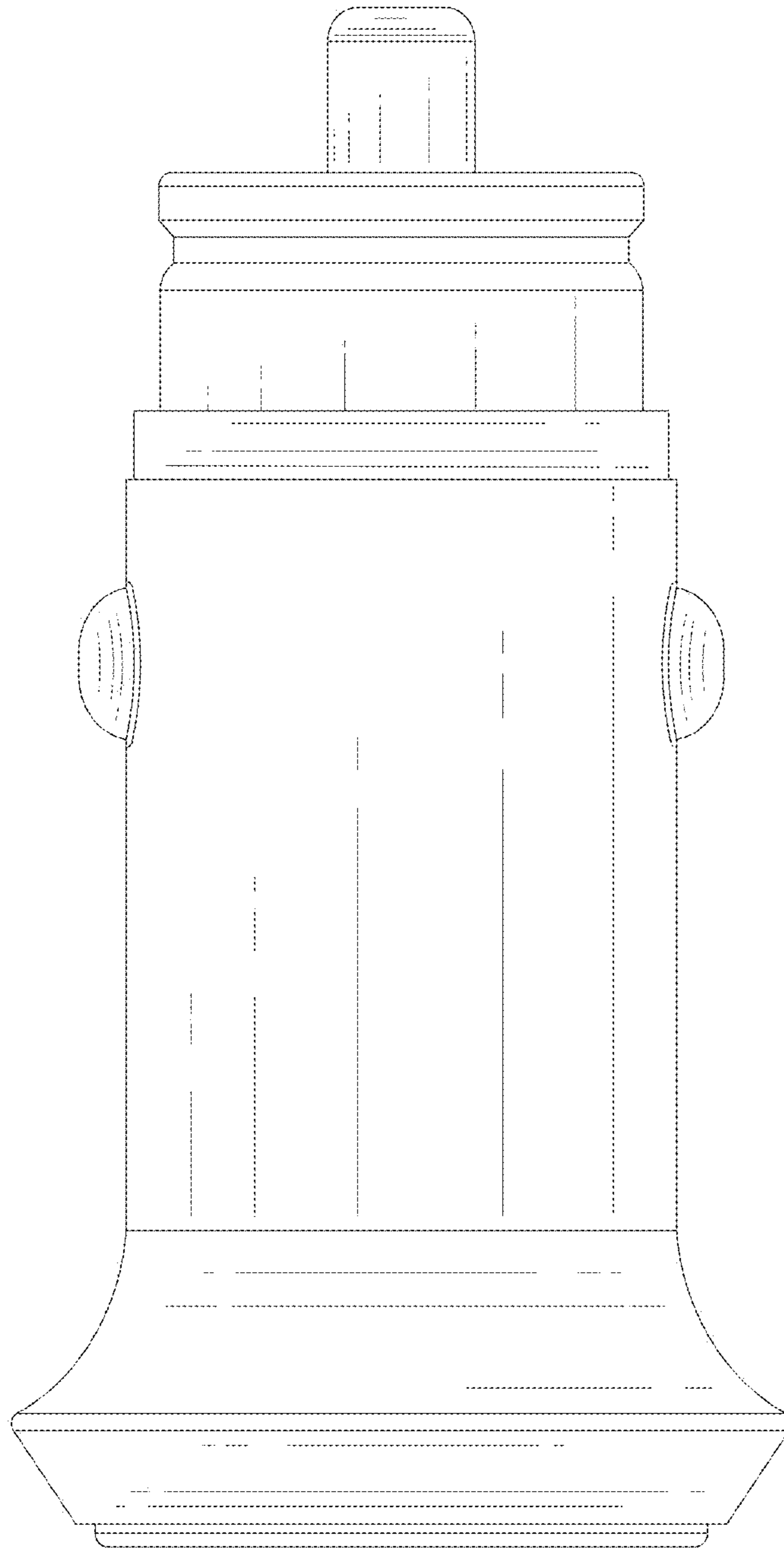


FIG.2

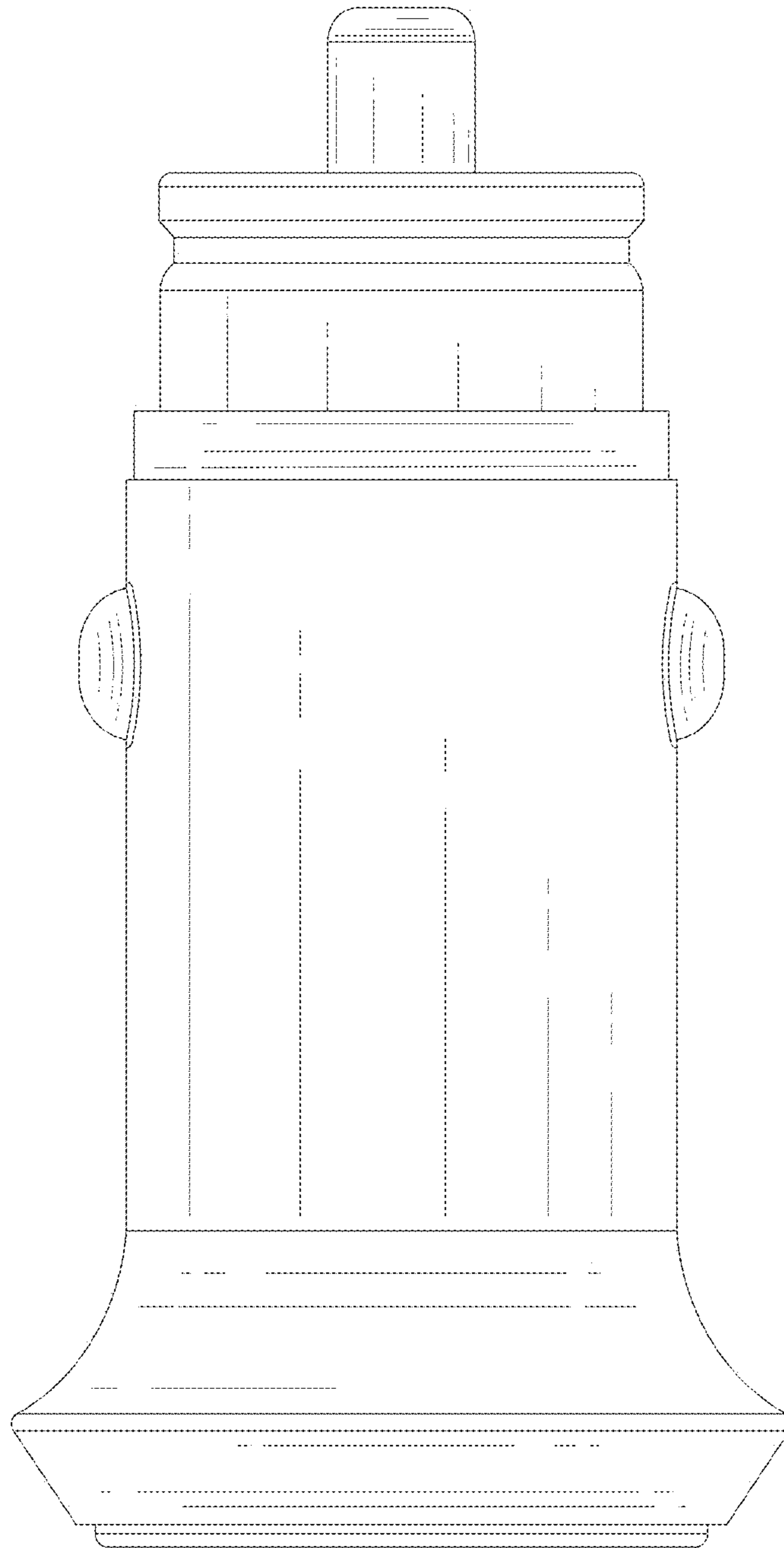


FIG.3

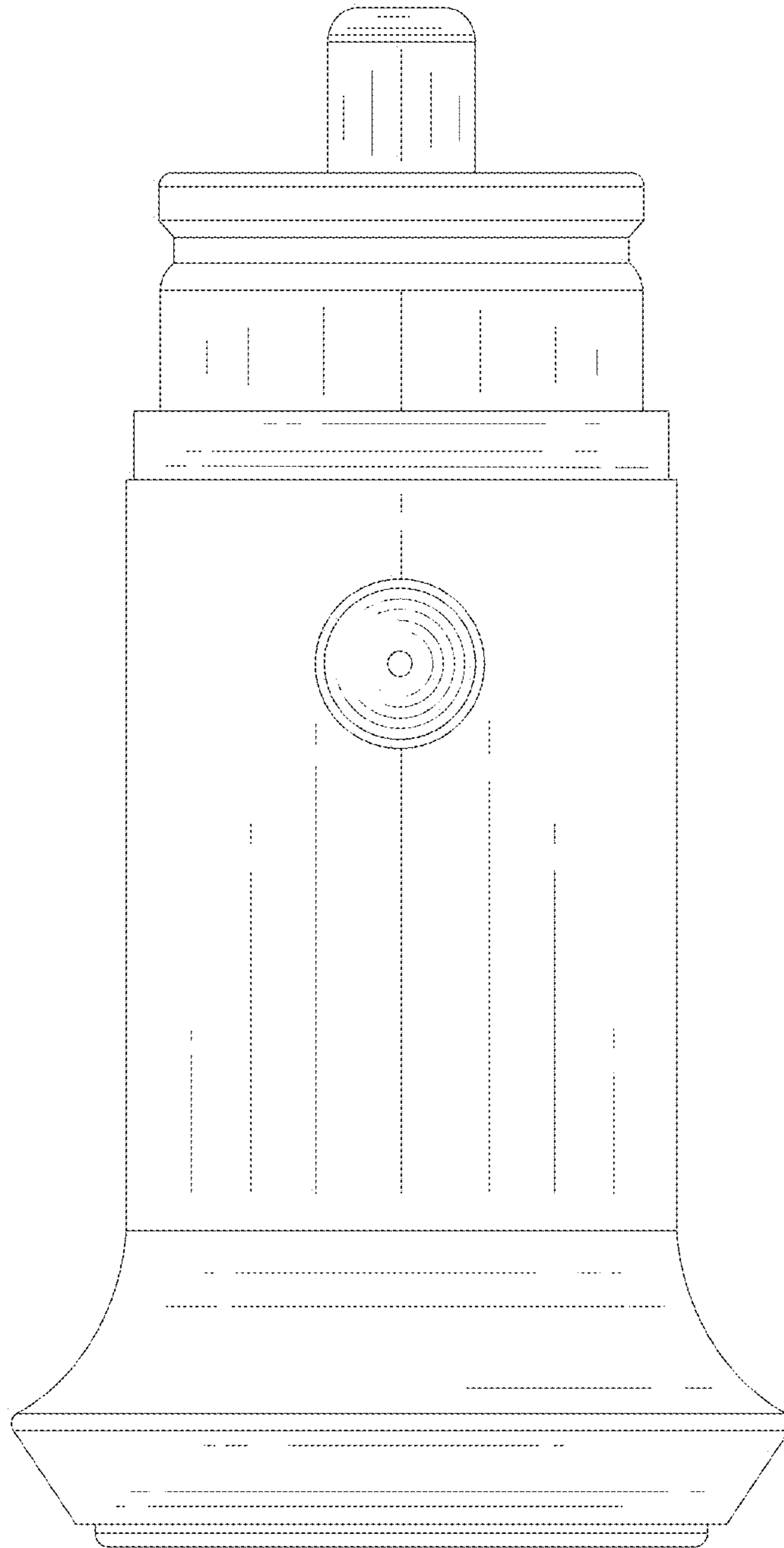


FIG.4

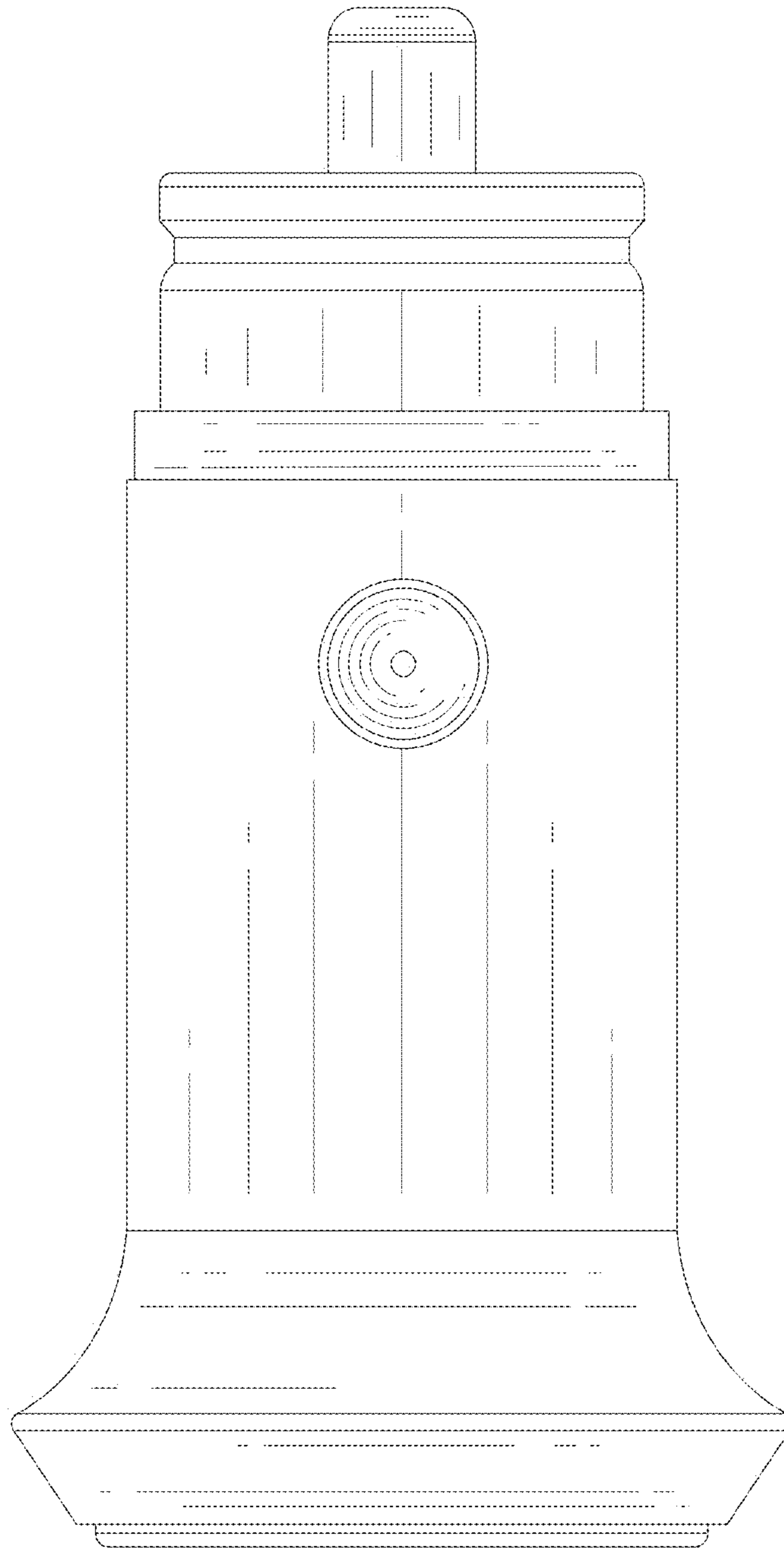


FIG.5

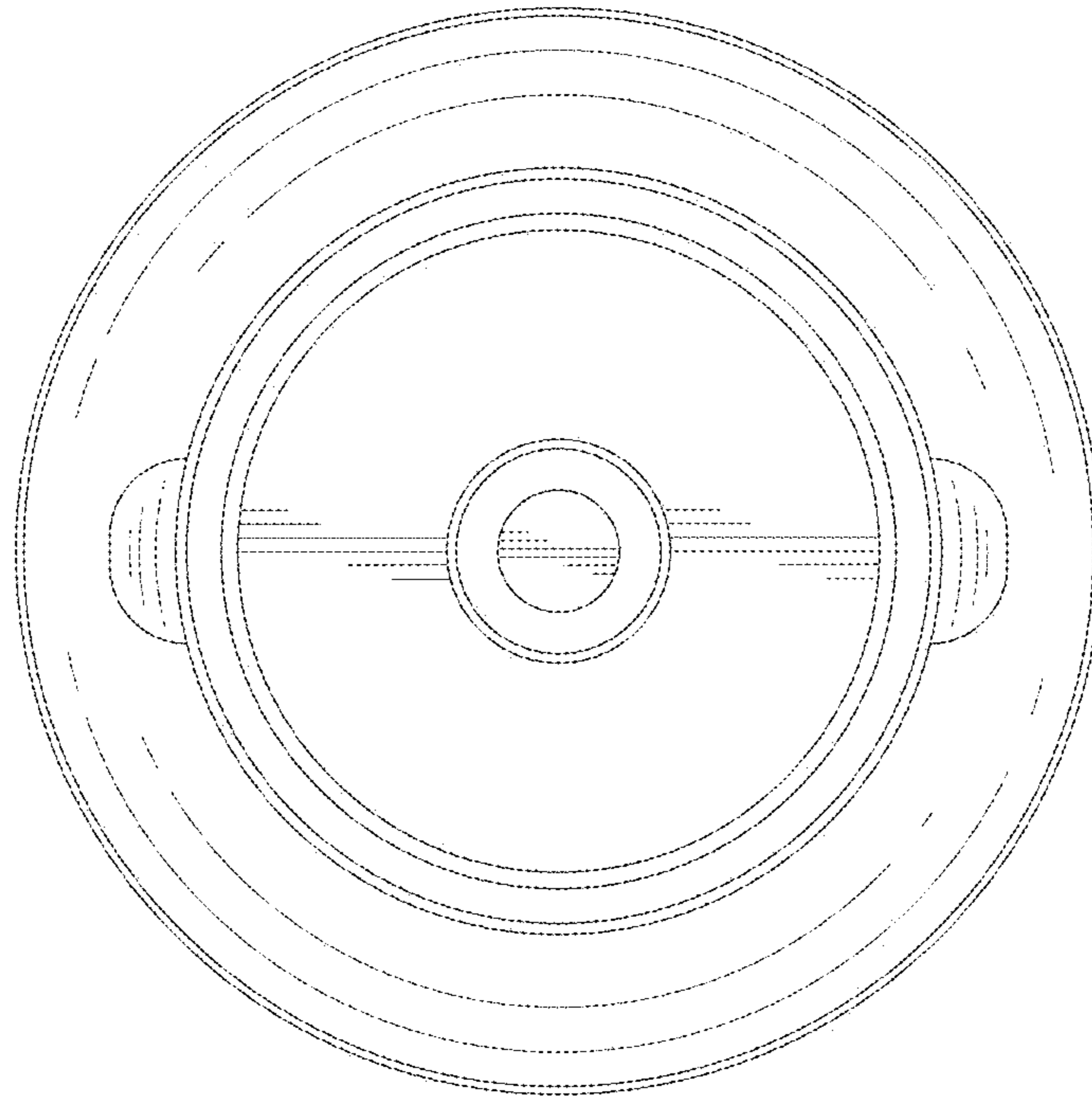


FIG.6

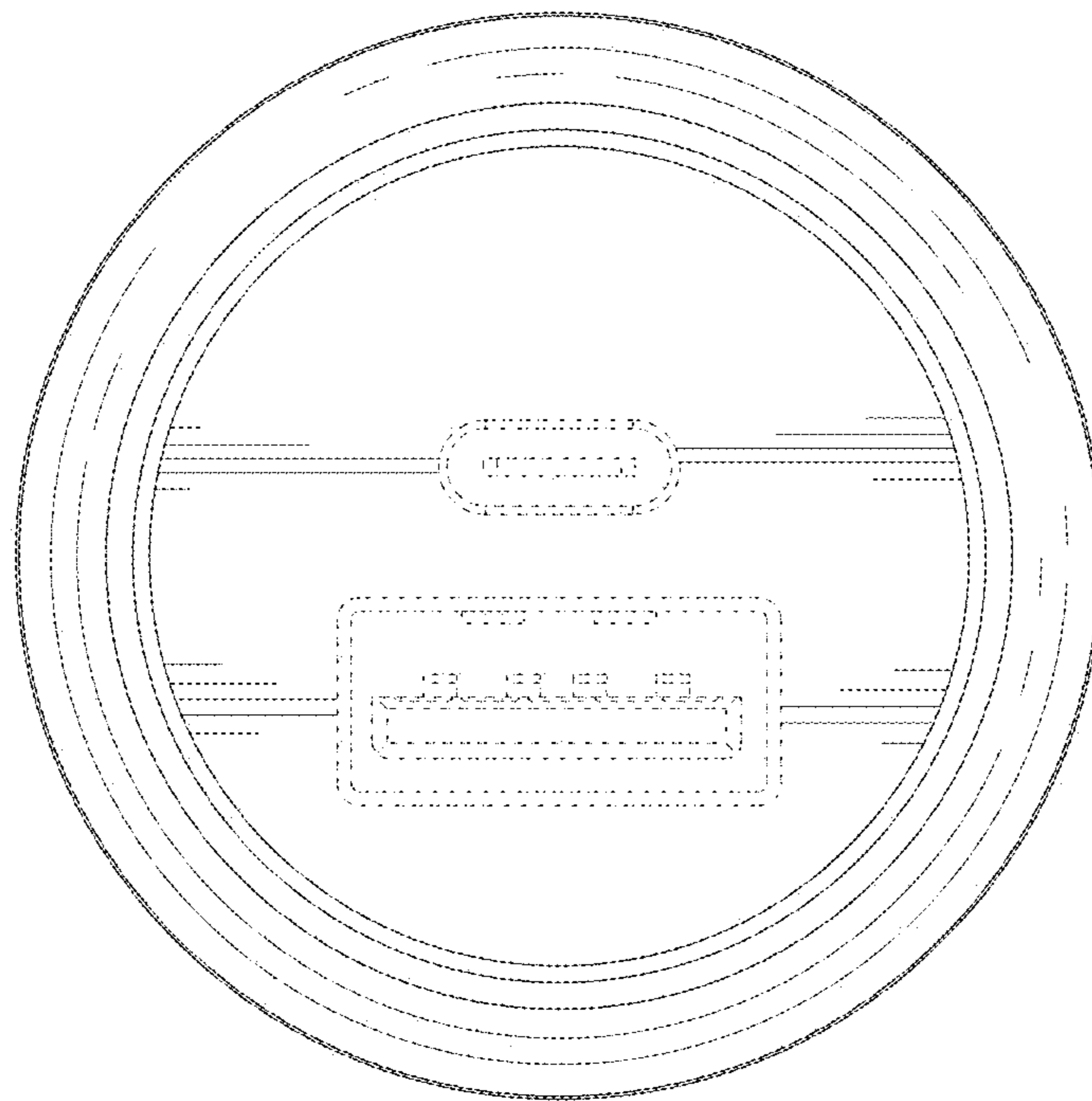


FIG.7

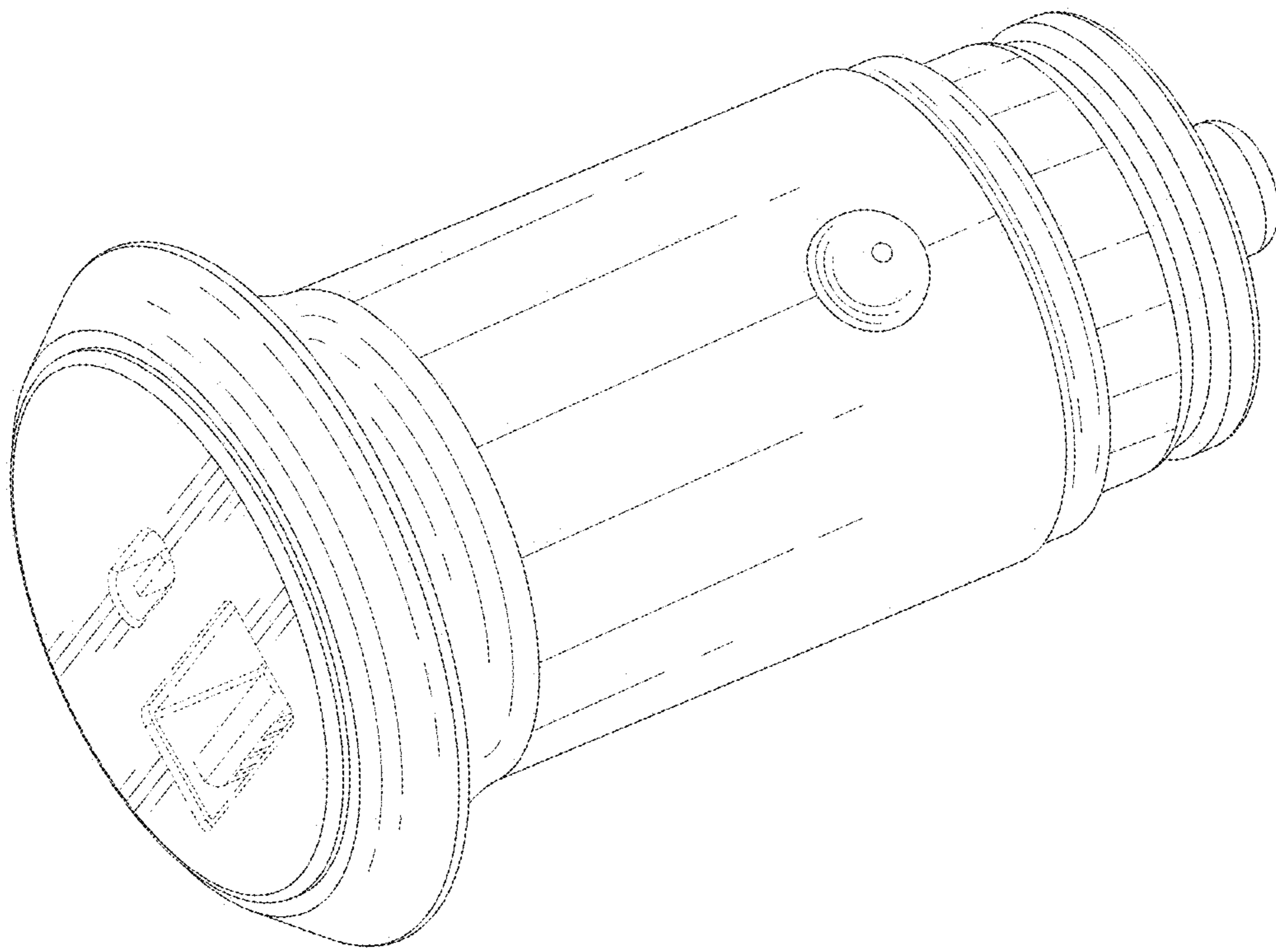


FIG.8