



(12) **United States Design Patent**
Fanshier et al.

(10) **Patent No.:** **US D959,367 S**
(45) **Date of Patent:** **** Aug. 2, 2022**

(54) **CHARGING CRADLE**

- (71) Applicant: **Freeus, LLC**, Ogden, UT (US)
- (72) Inventors: **Rand Adam Fanshier**, Pleasant View, UT (US); **Craig Roger Pyle**, Draper, UT (US); **Derek Mark Lomax**, Layton, UT (US); **Brock McKay Winzeler**, Harrisville, UT (US)
- (73) Assignee: **Freeus, LLC**, Ogden, UT (US)

(**) Term: **15 Years**

(21) Appl. No.: **29/730,168**

(22) Filed: **Apr. 1, 2020**

(51) **LOC (13) Cl.** **13-02**

(52) **U.S. Cl.**
USPC **D13/108**

(58) **Field of Classification Search**
USPC D13/103, 107, 108, 118, 119, 184;
D6/524, 526; D14/142, 149, 209.1, 251,
D14/433, 434, 435.1
CPC H02J 7/0044; H02J 50/00; H02J 7/02
See application file for complete search history.

(56) **References Cited**

U.S. PATENT DOCUMENTS

D409,563 S *	5/1999	Haase	D13/107
6,127,802 A *	10/2000	Lloyd	H02J 7/0044
				320/113
D436,576 S *	1/2001	Herrmann	D13/107
D440,936 S *	4/2001	Burns	D13/107
D454,332 S *	3/2002	Yokoyama	D13/108
D456,350 S *	4/2002	Mott	D13/108
D459,299 S *	6/2002	Hughes	D13/108
D463,361 S *	9/2002	Ruohonen	D13/108
D525,583 S *	7/2006	Vu	D13/108
D558,193 S *	12/2007	Ju	D14/253
D600,204 S *	9/2009	Woon	D13/107
2005/0168191 A1 *	8/2005	Lee	G06F 1/20
				320/114
2020/0118402 A1 *	4/2020	Grafals	H02J 50/005

OTHER PUBLICATIONS

- “Belle Medical Alert”. Found online Aug. 11, 2021 at youtube.com. Reference dated Apr. 14, 2019. Retrieved from https://www.youtube.com/watch?v=eB_qhxtKFC8 (Year: 2019).*
- “Uniden Handsets”. Found online Aug. 11, 2021 at salestores.com. Reference dated Feb. 6, 2008. Retrieved from https://tineye.com/search/dc04c6398e5e83d3cdffc472a5ebd8257c2b46e3?sort=crawl_date&order=asc&page=1. (Year: 2008).*
- “Spectrum Cordless Telephone”. Found online Aug. 11, 2021 at amazon.com. Reference dated Mar. 8, 2002. Retrieved from <https://fccid.io/HOLD271/User-Manual/MANUAL-177978>. (Year: 2002).*

* cited by examiner

Primary Examiner — Kendra Leslie Hamilton

Assistant Examiner — Amanda Christensen

(74) *Attorney, Agent, or Firm* — Maschoff Brennan; Paul G. Johnson

(57) **CLAIM**

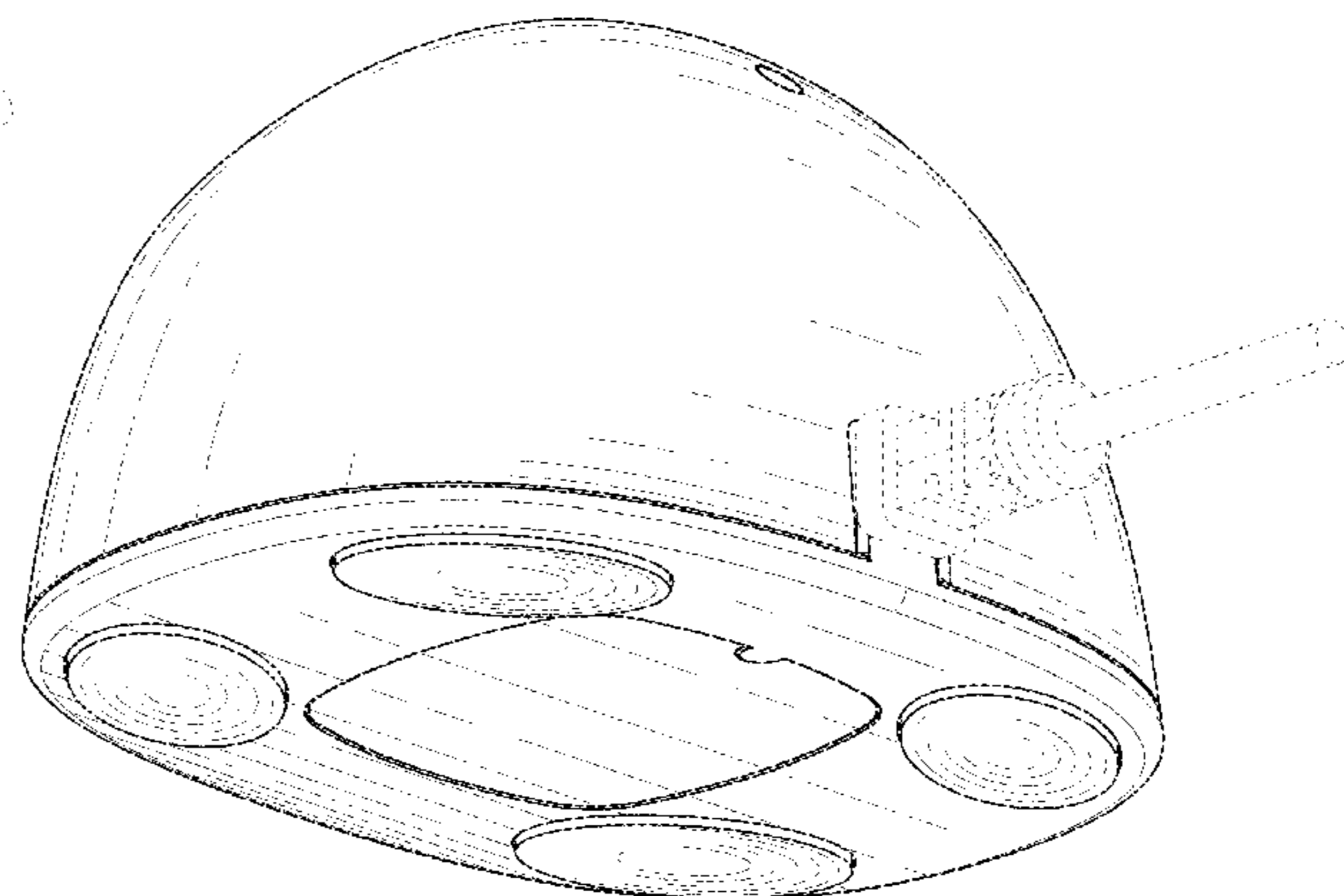
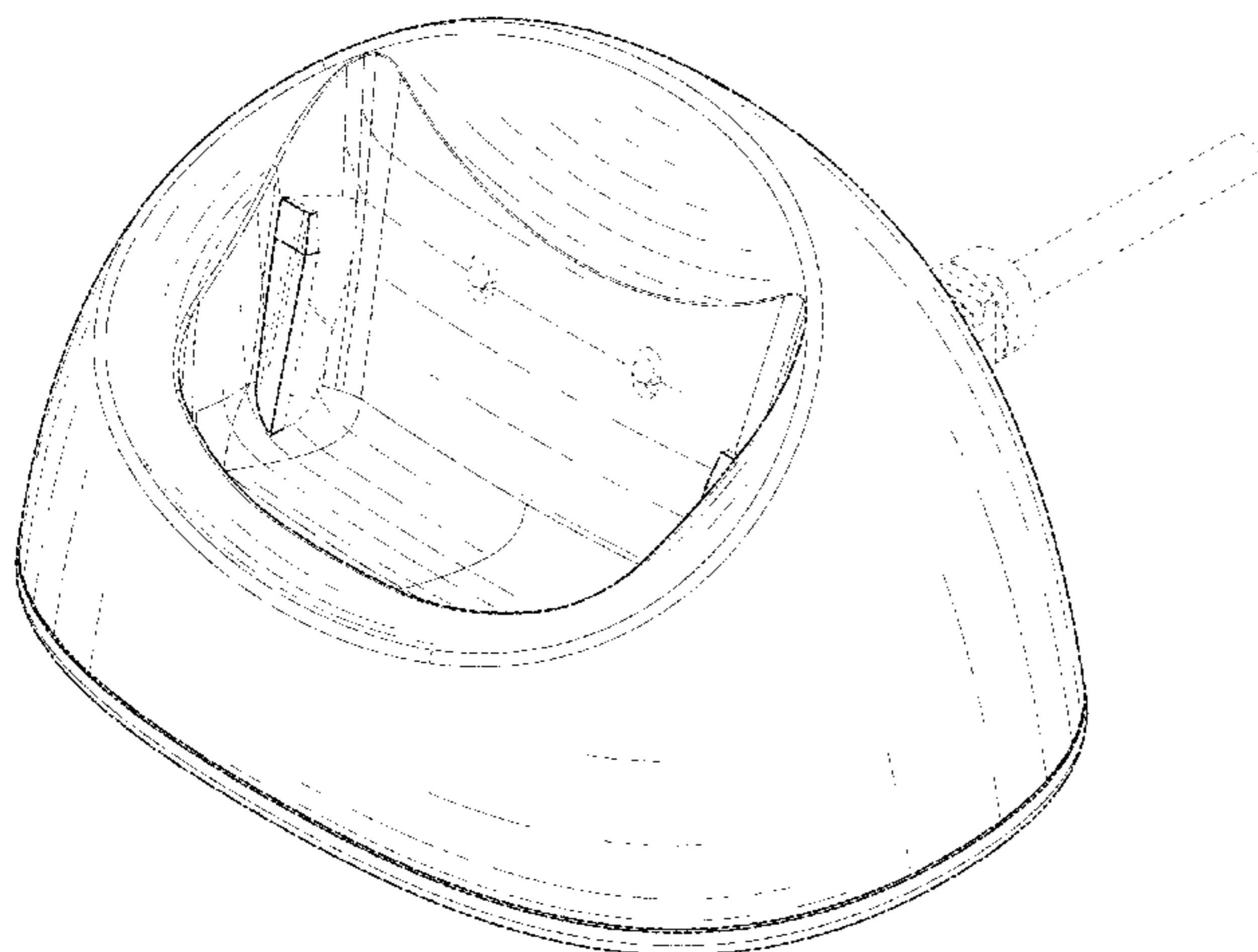
The ornamental design for a charging cradle, as shown and described.

DESCRIPTION

FIG. 1 is a top front perspective view of a charging cradle; FIG. 2 is a bottom, rear perspective view thereof; FIG. 3 is a front view thereof; FIG. 4 is a rear view thereof; FIG. 5 is a left side view thereof; FIG. 6 is a right side view thereof; FIG. 7 is a top view thereof; and, FIG. 8 is a bottom view thereof.

The broken lines depict portions of the charging cradle that form no part of the claimed design. The broken lines showing a cord depict environmental subject matter that form no part of the claimed design.

1 Claim, 8 Drawing Sheets



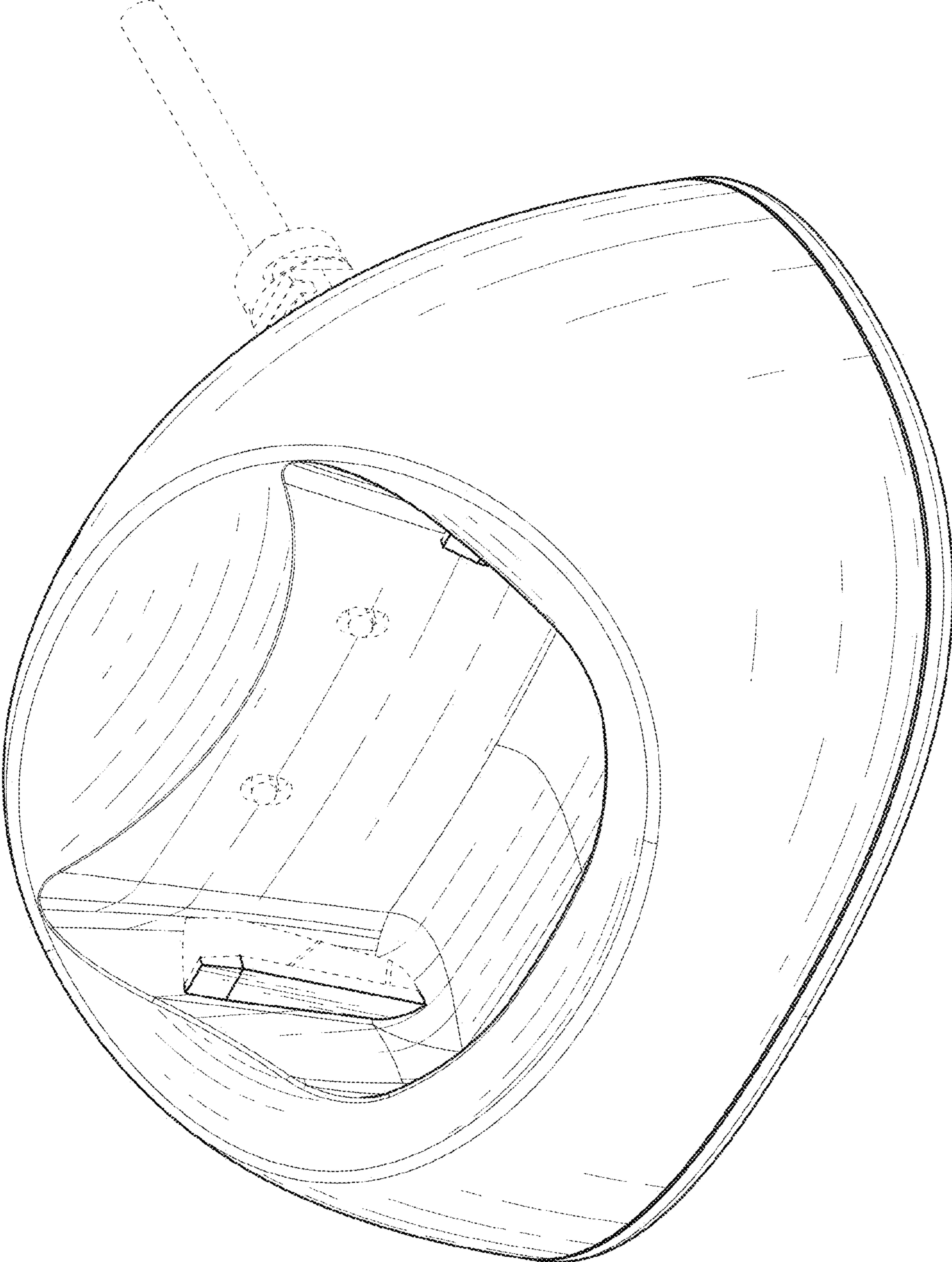


FIG. 1

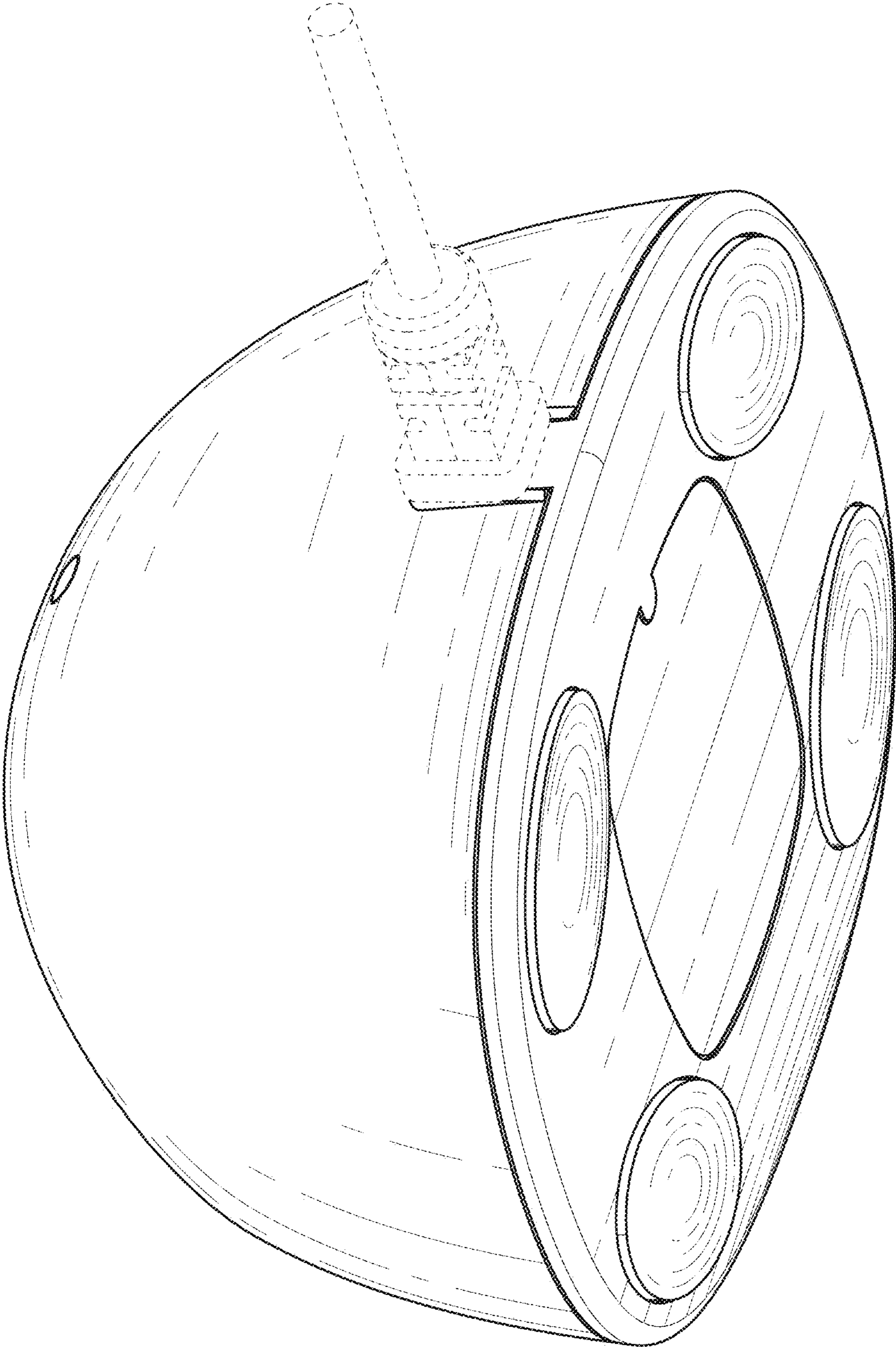


FIG. 2

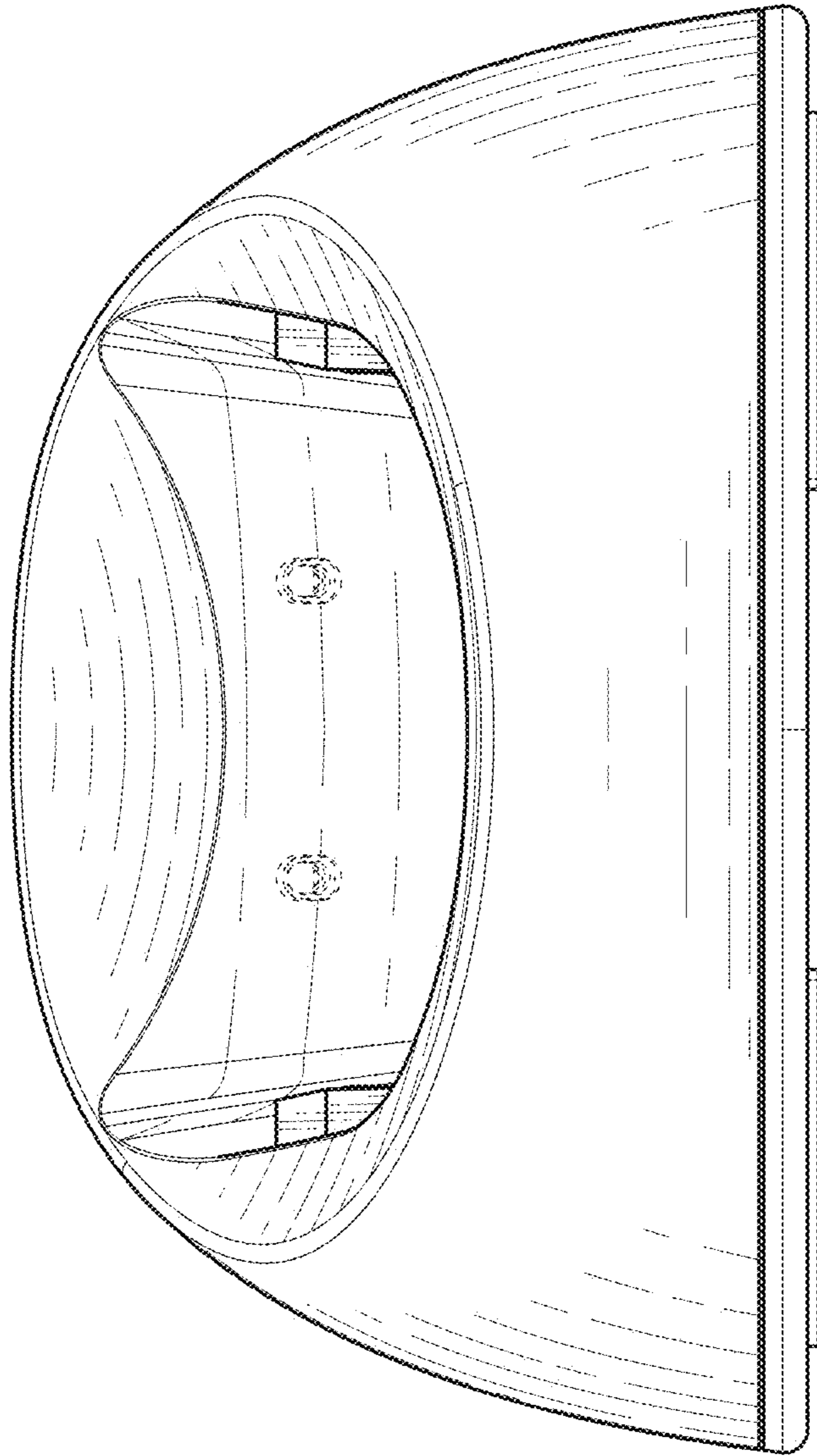


FIG. 3

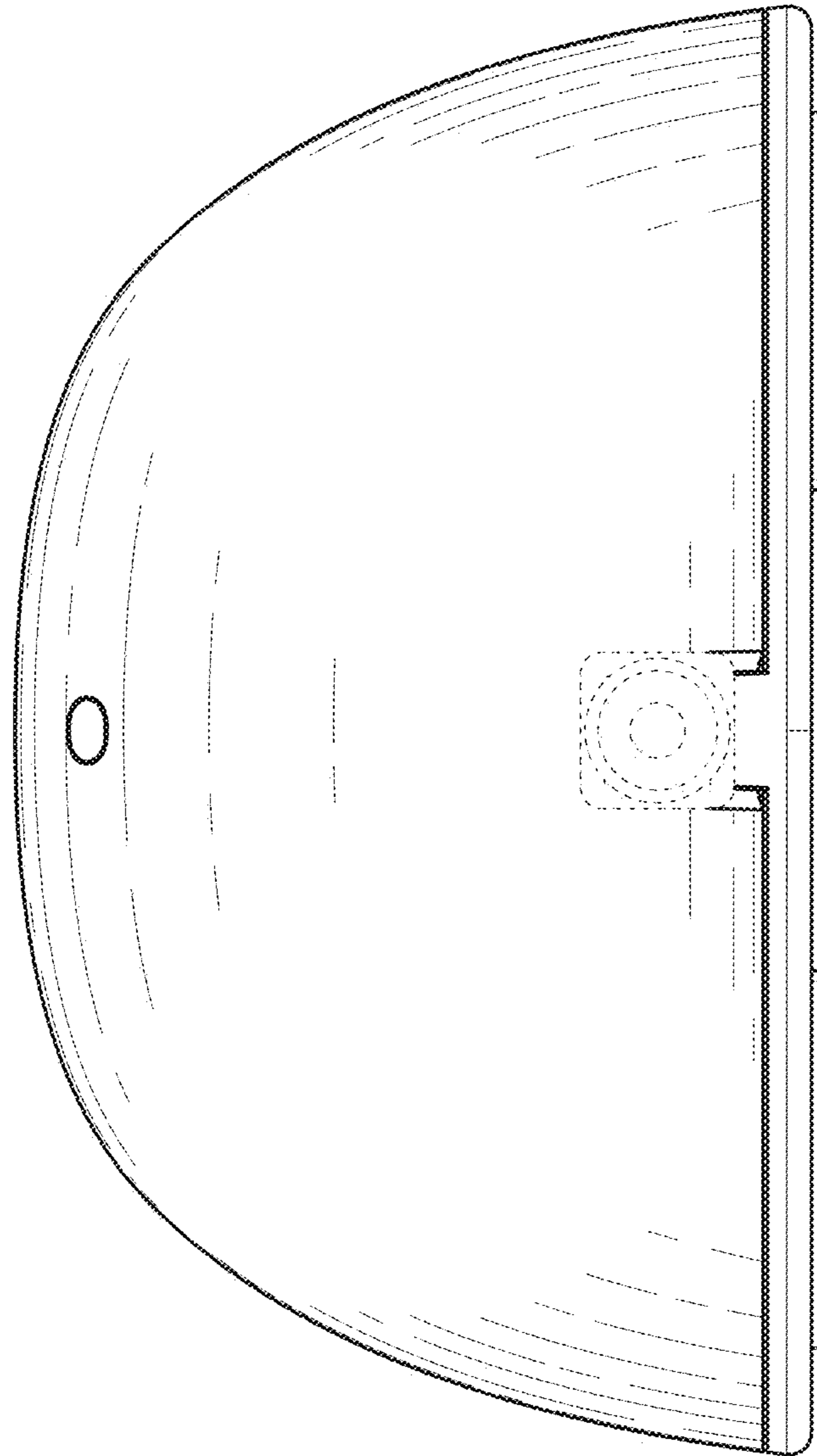


FIG. 4

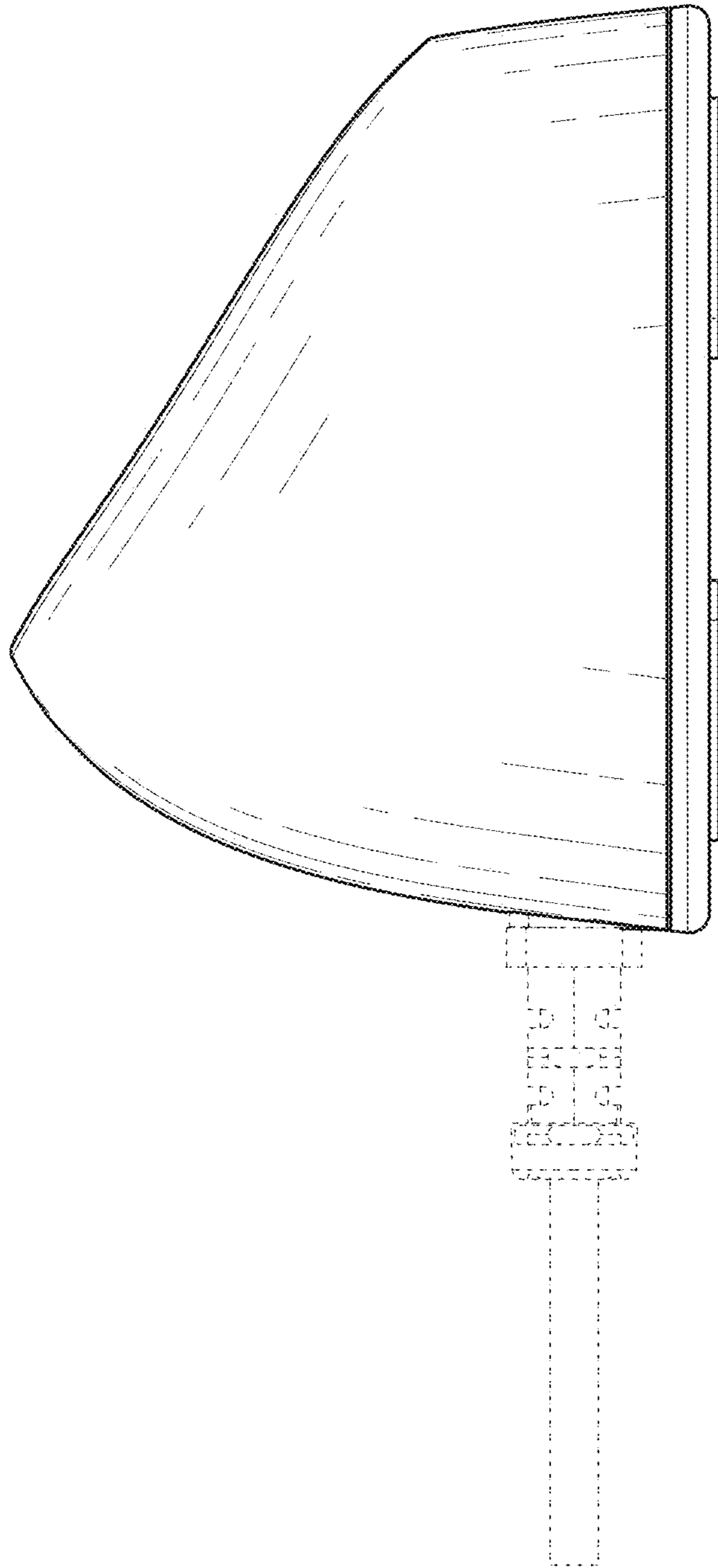


FIG. 5

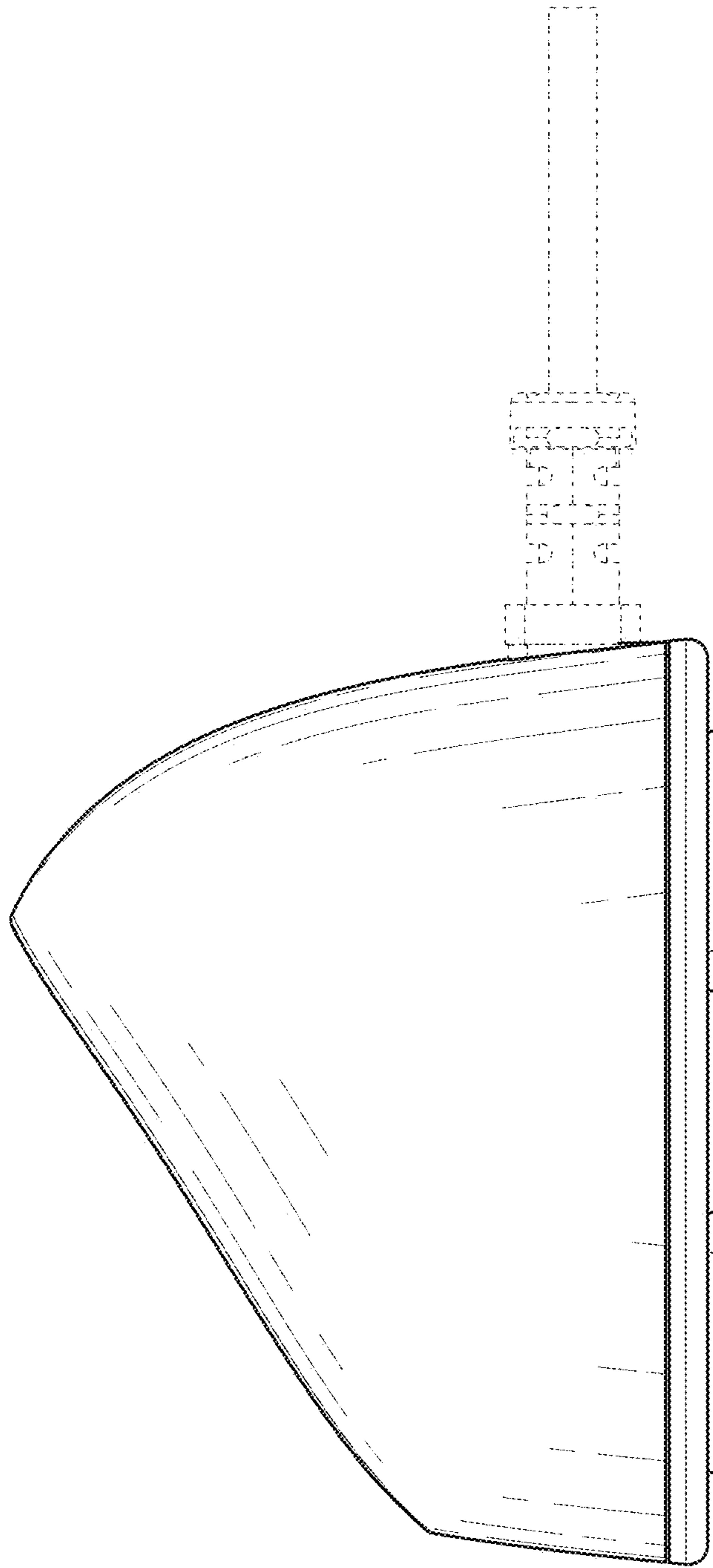


FIG. 6

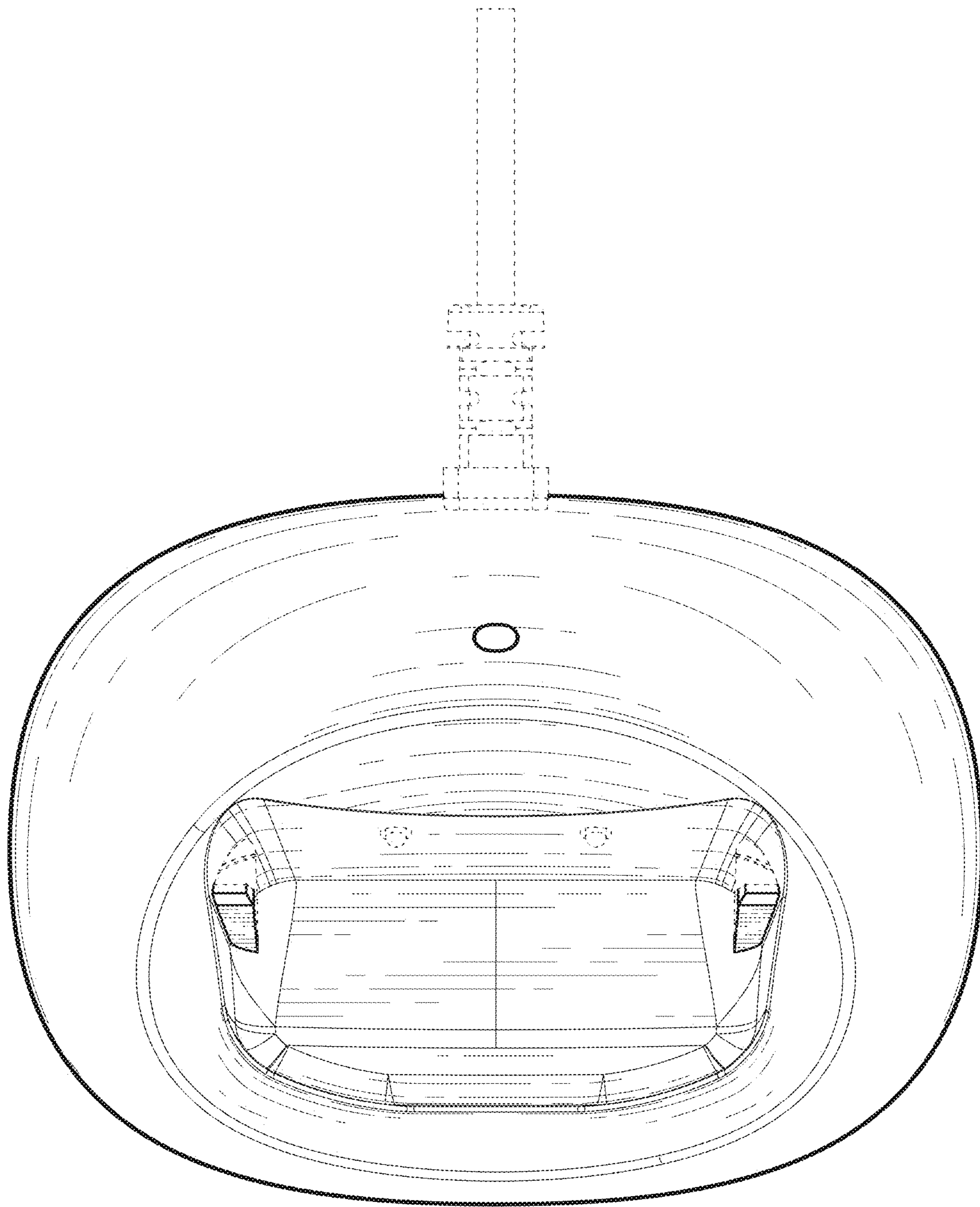


FIG. 7

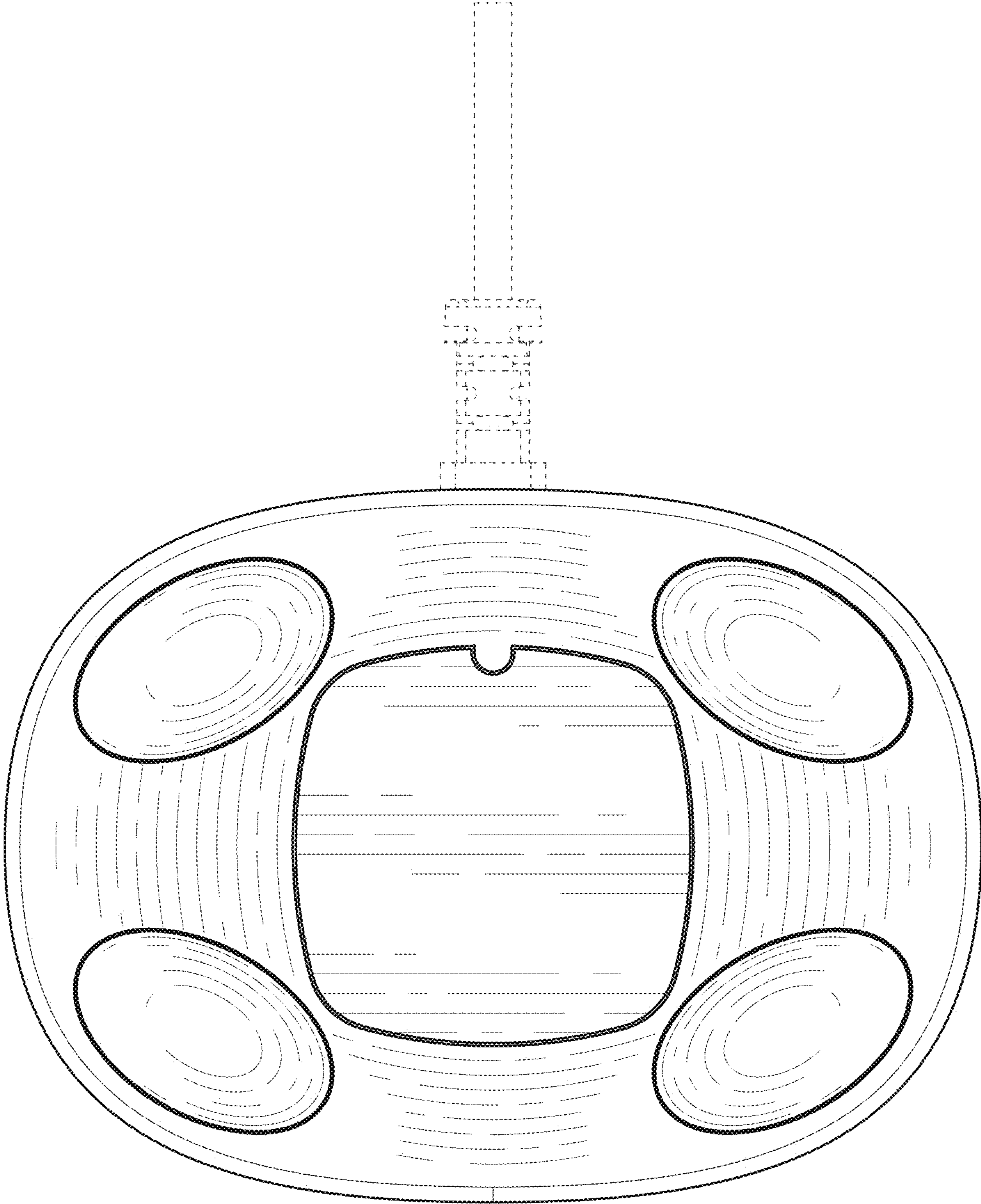


FIG. 8