



US00D959365S

(12) **United States Design Patent**
Sun et al.

(10) **Patent No.:** **US D959,365 S**

(45) **Date of Patent:** **** Aug. 2, 2022**

(54) **POWER SUPPLY**

(71) Applicant: **SHENZHEN HELLO TECH ENERGY CO LTD**, Guangdong (CN)

(72) Inventors: **Zhongwei Sun**, Guangdong (CN); **Wei Bai**, Guangdong (CN); **Tao Yang**, Guangdong (CN)

(73) Assignee: **SHENZHEN HELLO TECH ENERGY CO LTD**, Shenzhen (CN)

(**) Term: **15 Years**

(21) Appl. No.: **29/762,953**

(22) Filed: **Dec. 18, 2020**

(30) **Foreign Application Priority Data**

Aug. 26, 2020 (CN) 202030496084.9

(51) **LOC (13) Cl.** **13-02**

(52) **U.S. Cl.**
USPC **D13/107; D13/103**

(58) **Field of Classification Search**
USPC D13/106–110, 118–119, 184; D14/251, D14/253, 432, 434
CPC Y02T 90/14; H02J 7/025; H02J 7/0042; H02J 7/0044; H02J 7/0045; H02J 7/0003; H02J 7/0034; H02J 7/1423; H01F 38/14; H01R 13/6675; H01M 10/44; H01M 10/46; H01M 10/425
See application file for complete search history.

(56) **References Cited**

U.S. PATENT DOCUMENTS

D815,039 S * 4/2018 Wen D13/110
D837,149 S * 1/2019 Yin D13/103

D842,240 S * 3/2019 Lai D13/107
D874,395 S * 2/2020 Sun D13/106
D874,398 S * 2/2020 Sun D13/107
D883,206 S * 5/2020 Bai D13/110
D887,357 S * 6/2020 Liao D13/110
D890,089 S * 7/2020 Yin D13/103
D897,284 S * 9/2020 Sun D13/103
D911,273 S * 2/2021 Sun D13/103
D937,207 S * 11/2021 Zhen D13/103
D942,940 S * 2/2022 Lai D13/103
D944,732 S * 3/2022 Sun D13/110

* cited by examiner

Primary Examiner — Nathaniel D. Buckner

(74) *Attorney, Agent, or Firm* — Dragon Sun Law Firm, PC; Jinggao Li, Esq.; Nathaniel Perkins

(57) **CLAIM**

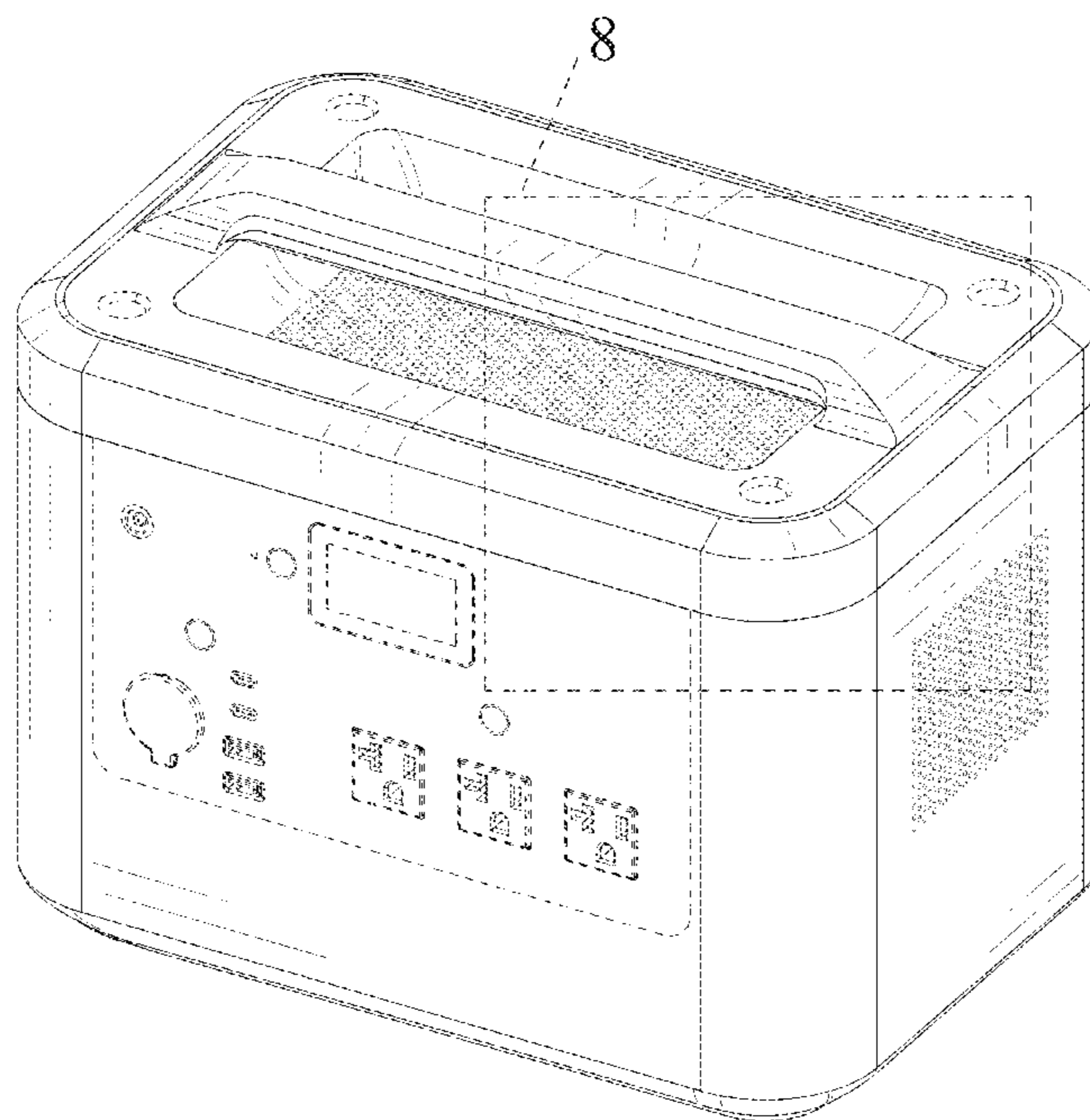
The ornamental design for a power supply, as shown and described.

DESCRIPTION

FIG. 1 is a perspective view of a power supply showing my new design;
FIG. 2 is a front view thereof;
FIG. 3 is a rear view thereof;
FIG. 4 is a left view thereof;
FIG. 5 is a right view thereof;
FIG. 6 is a top view thereof; and
FIG. 7 is a bottom view thereof; and,
FIG. 8 is an enlarged view of the selected portion 8 in FIG. 1.

The broken lines shown in the figures depict portions of the power supply that form no part of the claimed design.

1 Claim, 8 Drawing Sheets



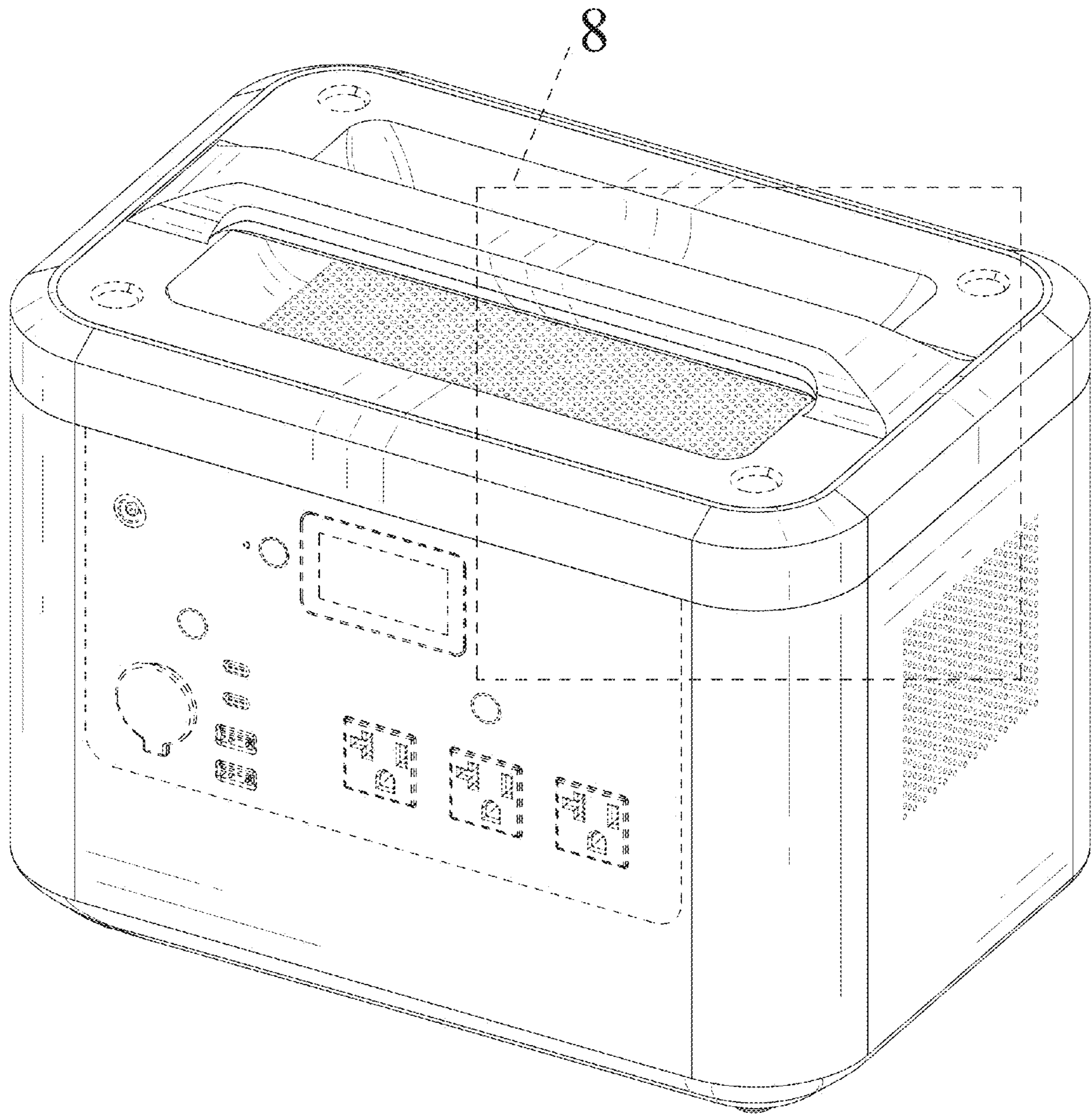


FIG. 1

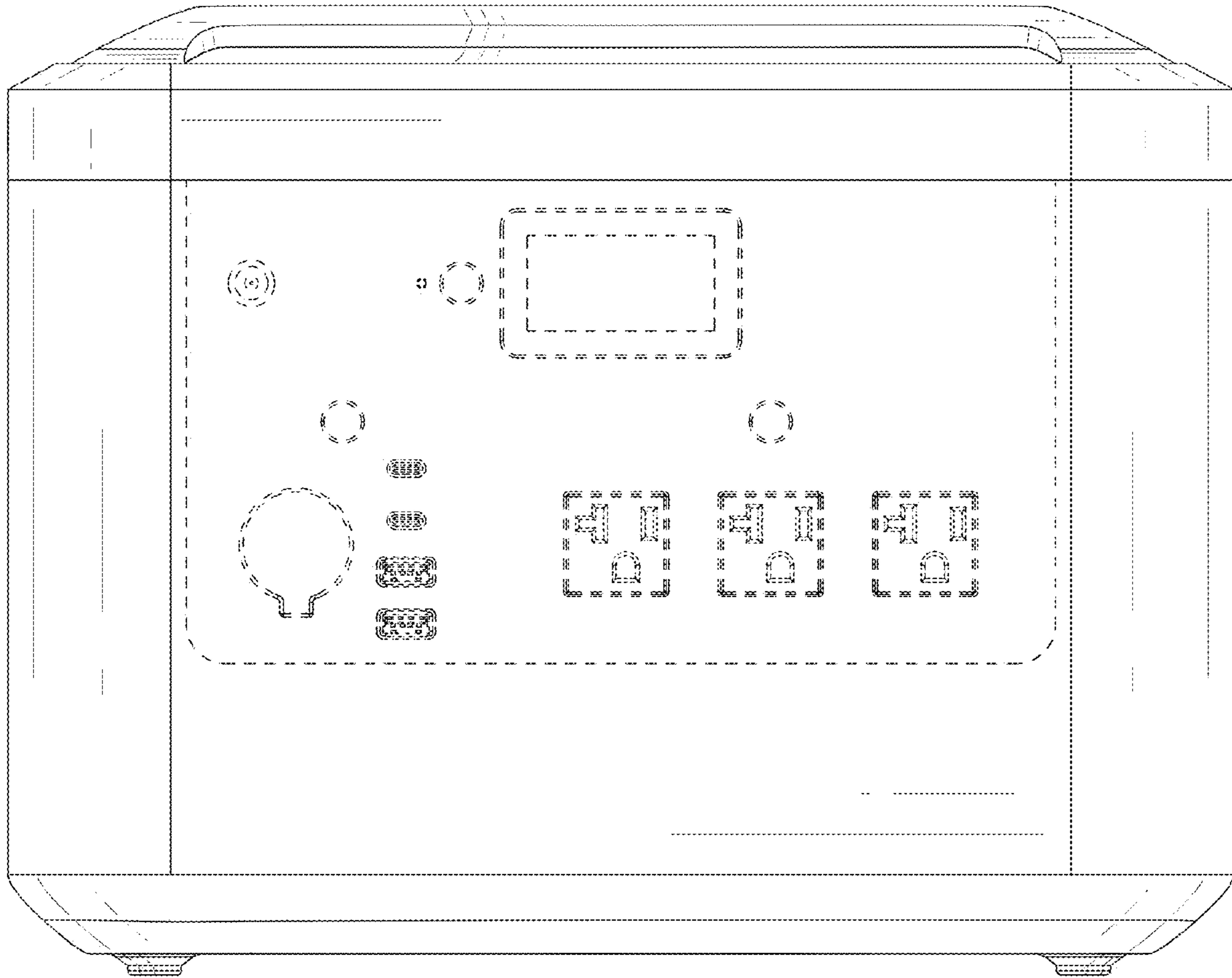


FIG.2

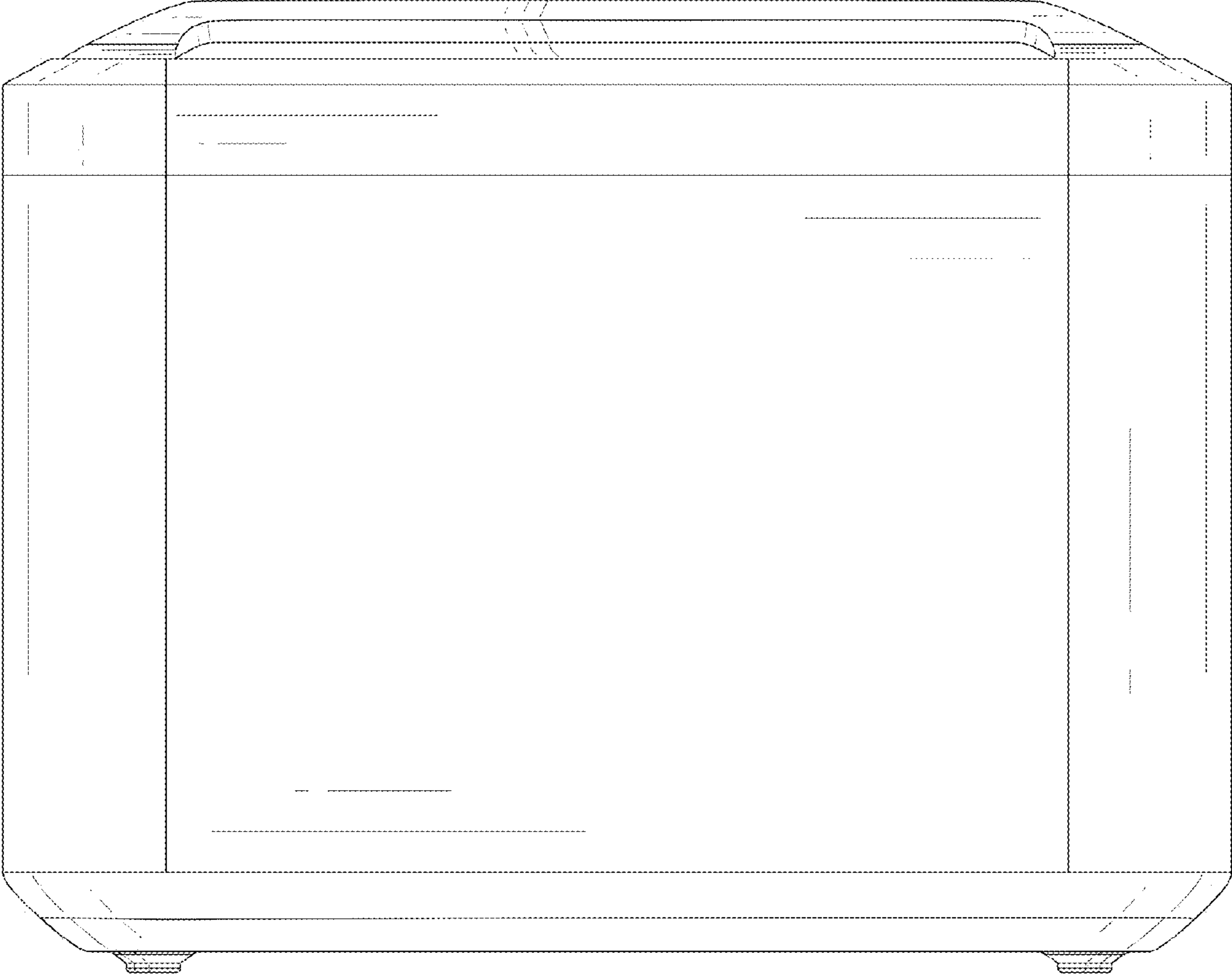


FIG.3

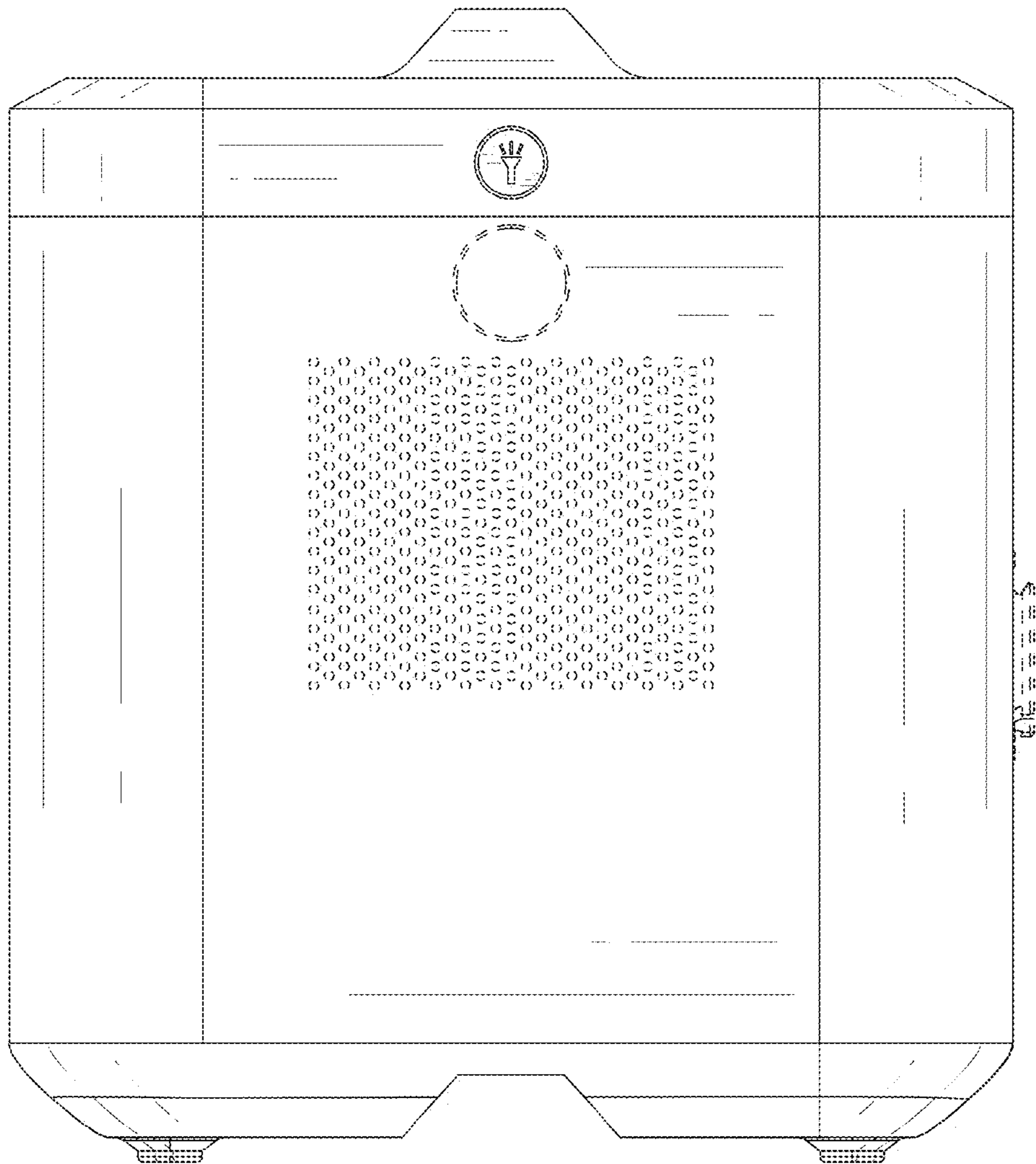


FIG.4

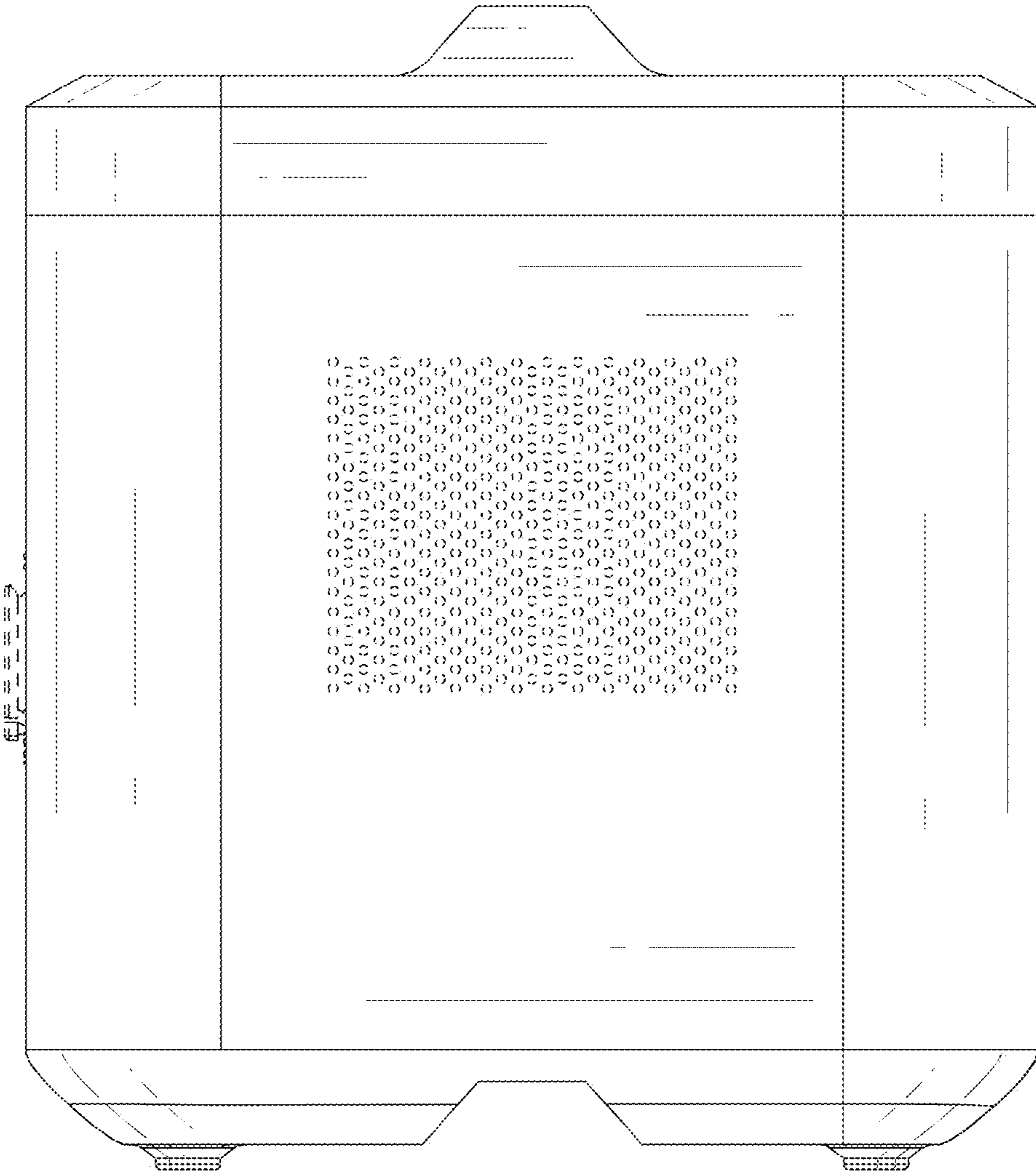


FIG.5

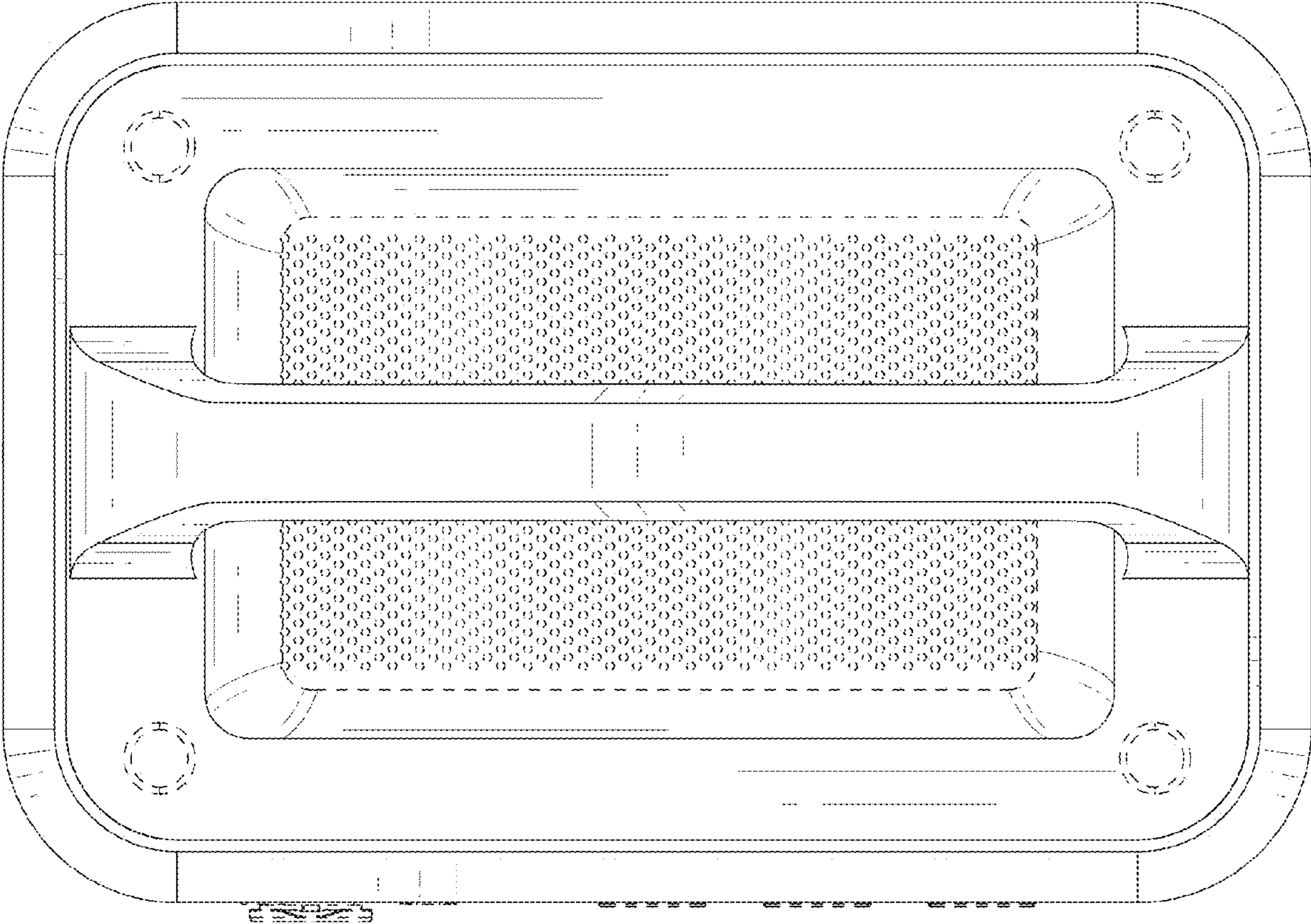


FIG.6

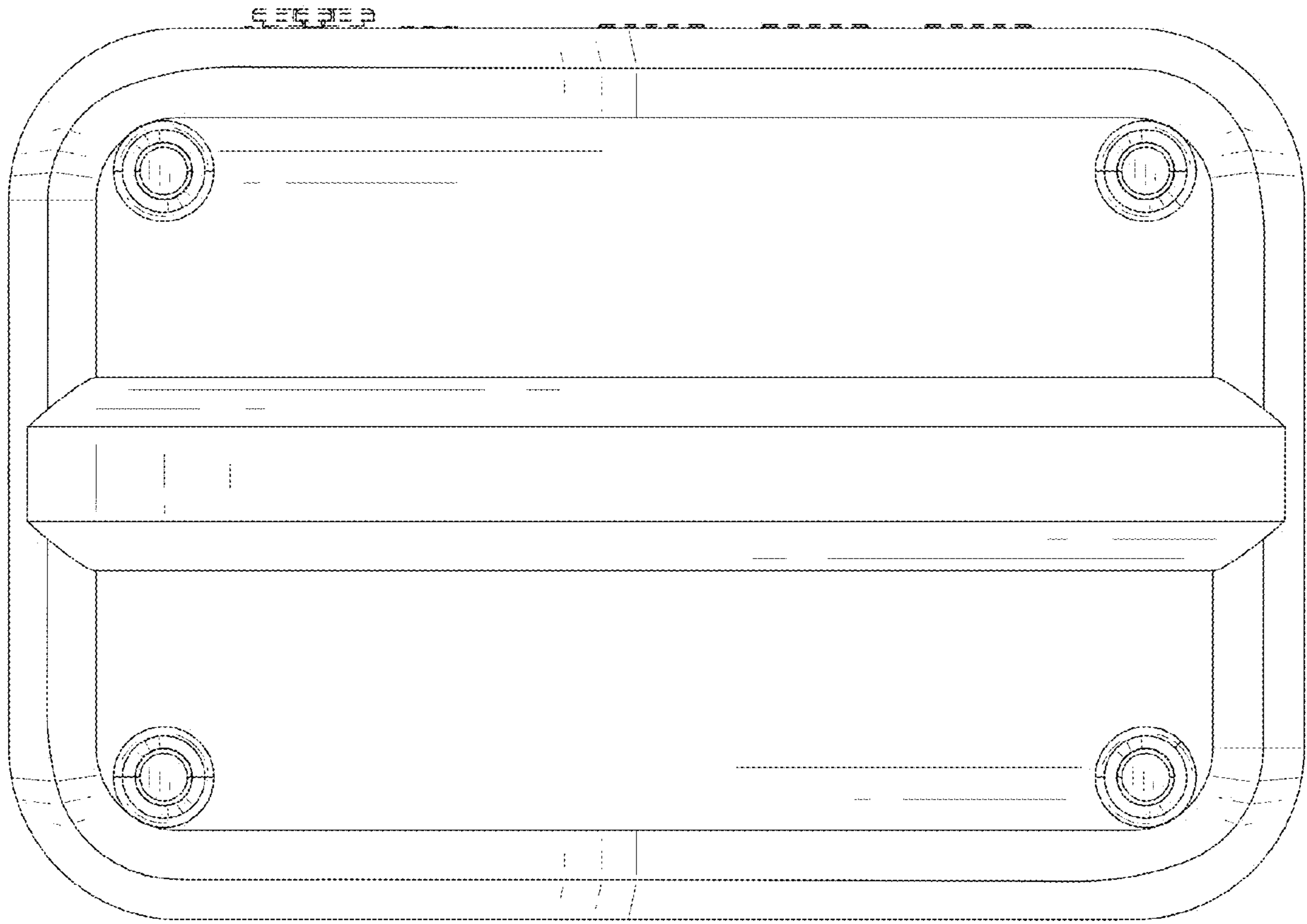


FIG. 7

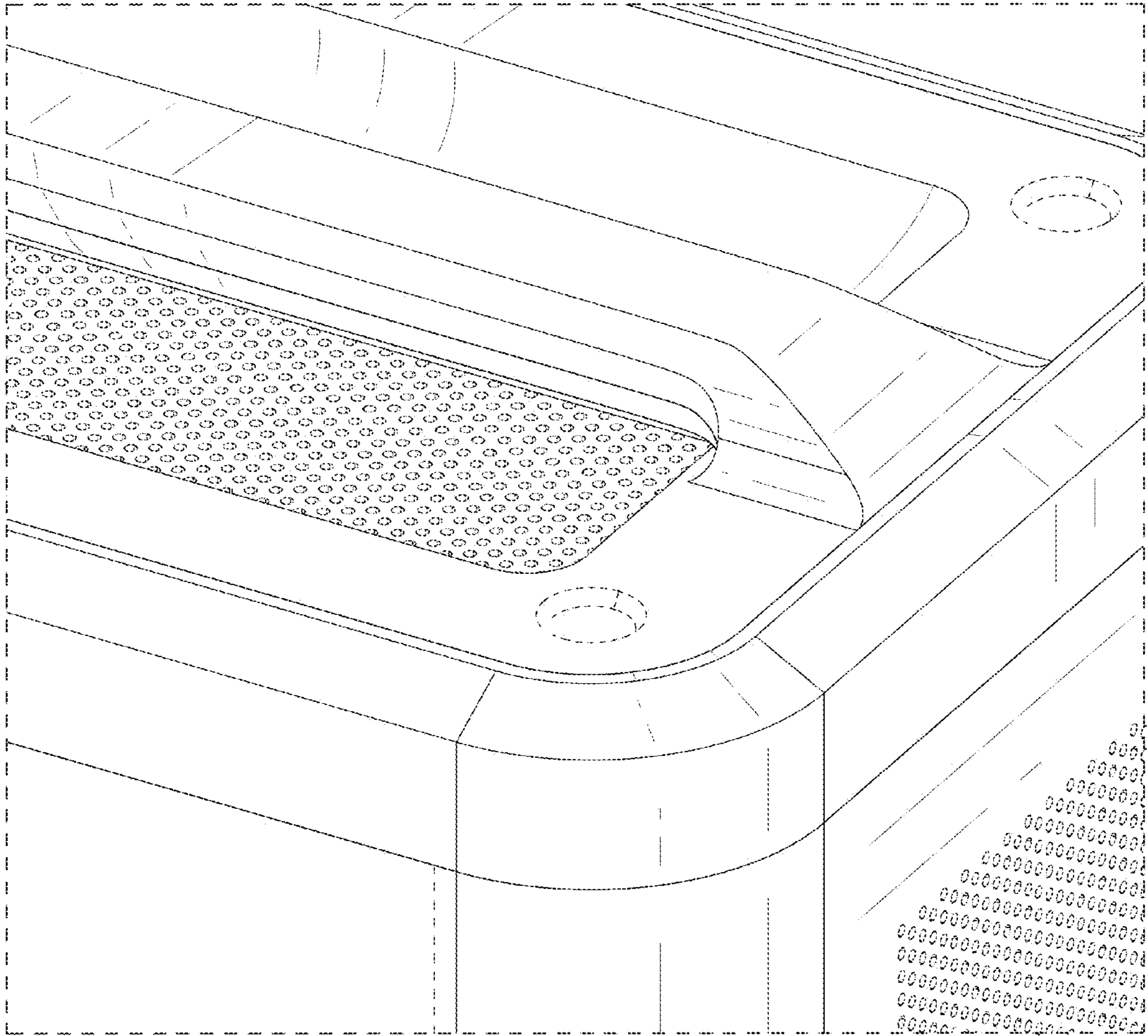


FIG.8