



US00D959362S

(12) **United States Design Patent** (10) **Patent No.:** **US D959,362 S**  
**Reber et al.** (45) **Date of Patent:** **\*\* Aug. 2, 2022**

(54) **BATTERY**  
(71) Applicant: **ZEBRA TECHNOLOGIES CORPORATION**, Lincolnshire, IL (US)  
(72) Inventors: **David William Reber**, Cedar Park, TX (US); **Kevin M. Bosse**, Cedar Park, TX (US)  
(73) Assignee: **Zebra Technologies Corporation**, Lincolnshire, IL (US)  
(\*\*) Term: **15 Years**  
(21) Appl. No.: **29/694,027**  
(22) Filed: **Jun. 6, 2019**  
(51) **LOC (13) Cl.** ..... **13-02**  
(52) **U.S. Cl.**  
USPC ..... **D13/103**  
(58) **Field of Classification Search**  
USPC ..... D13/102–108, 110, 118–119, 184  
CPC ..... Y02E 60/12; Y02E 60/122; Y02E 60/124; Y02E 60/50; H01M 2/02; H01M 2/022; H01M 2/0202; H01M 2/0207; H01M 2/0212; H01M 2/1061; H01M 2/1022; H01M 2/1055; H01M 2/1066; H01M 2/105; H01M 2/204; H01M 10/4257; H01M 10/0436; H01M 10/48  
See application file for complete search history.

D516,502 S \* 3/2006 Small ..... D13/103  
D524,241 S \* 7/2006 Takeshita ..... D13/103  
D591,231 S \* 4/2009 Wung ..... D13/103  
7,821,782 B2 10/2010 Doherty et al.  
7,969,730 B1 6/2011 Doherty et al.  
D669,427 S \* 10/2012 Ignor ..... D13/103  
D686,981 S \* 7/2013 Koyabu ..... D13/103  
D689,019 S \* 9/2013 Sato ..... D13/103  
D700,135 S \* 2/2014 Sato ..... D13/103  
8,699,220 B2 4/2014 Reber et al.  
D716,725 S \* 11/2014 Kaminsky ..... D13/103  
8,941,981 B2 1/2015 Reber et al.  
D724,538 S \* 3/2015 Baumgartner ..... D13/119  
9,383,788 B2 7/2016 Reber et al.  
D780,111 S \* 2/2017 Clyne ..... D13/103  
D788,696 S \* 6/2017 Yonishi ..... D13/103  
D795,801 S \* 8/2017 Fletcher ..... D13/103  
D833,973 S \* 11/2018 Kitsugi ..... D13/119  
D861,592 S \* 10/2019 Venugopal ..... D13/103

\* cited by examiner

*Primary Examiner* — Jennifer Rivard  
*Assistant Examiner* — Alison M Ofstun

(57) **CLAIM**

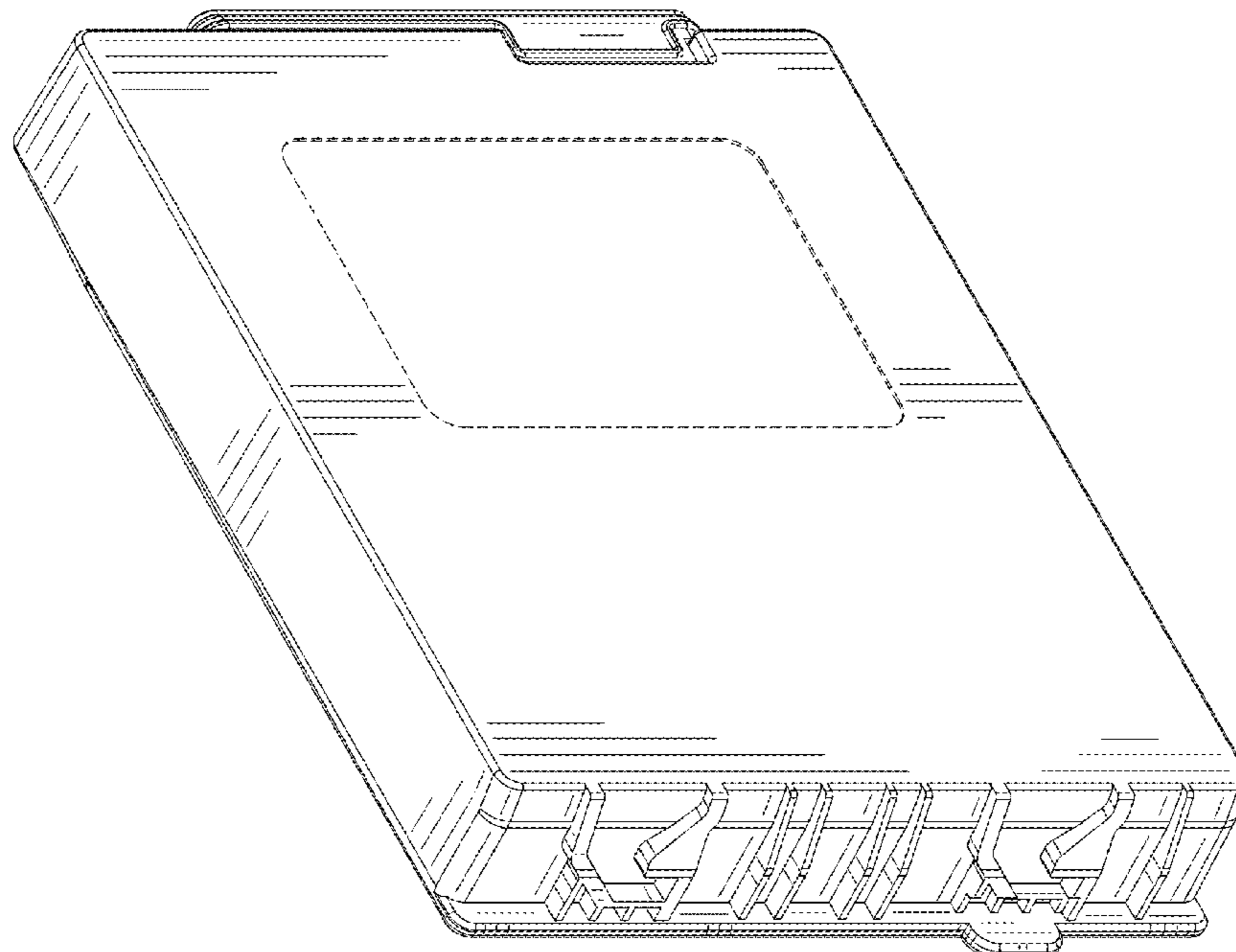
The ornamental design for a battery, as shown and described.

**DESCRIPTION**

FIG. 1 is a top perspective view of a battery;  
FIG. 2 is a bottom perspective view thereof;  
FIG. 3 a bottom view thereof;  
FIG. 4 is a top view thereof;  
FIG. 5 is a right side view thereof;  
FIG. 6 is a left side view thereof;  
FIG. 7 is a rear view thereof; and,  
FIG. 8 is a front view thereof.  
In the drawings, the broken lines illustrate portions of the article which form no part of the claimed design.

**1 Claim, 6 Drawing Sheets**

(56) **References Cited**  
U.S. PATENT DOCUMENTS  
D384,327 S \* 9/1997 Nakui ..... D13/103  
D423,449 S \* 4/2000 Naskali ..... D13/103  
D508,018 S \* 8/2005 Yokota ..... D13/103



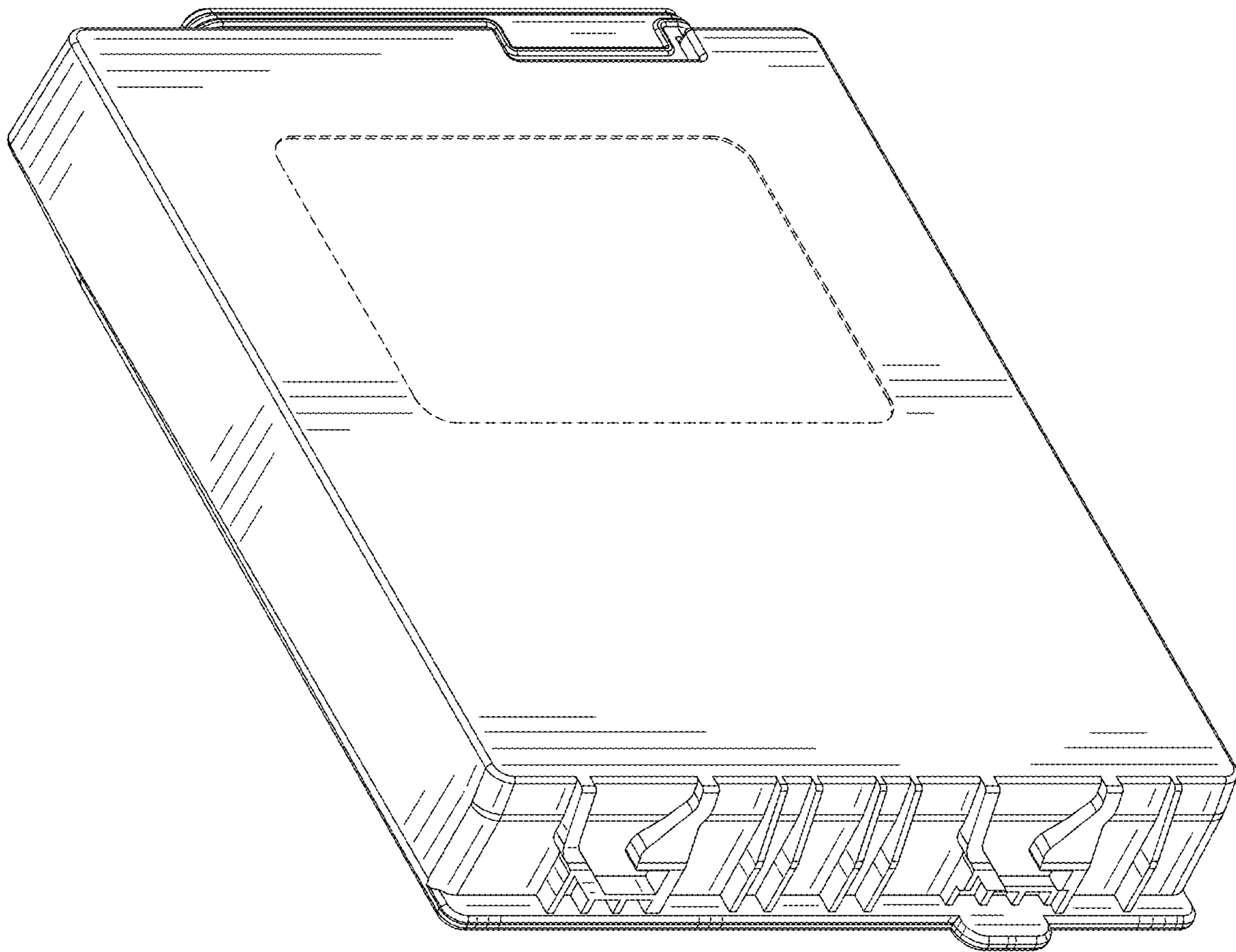


FIG. 1

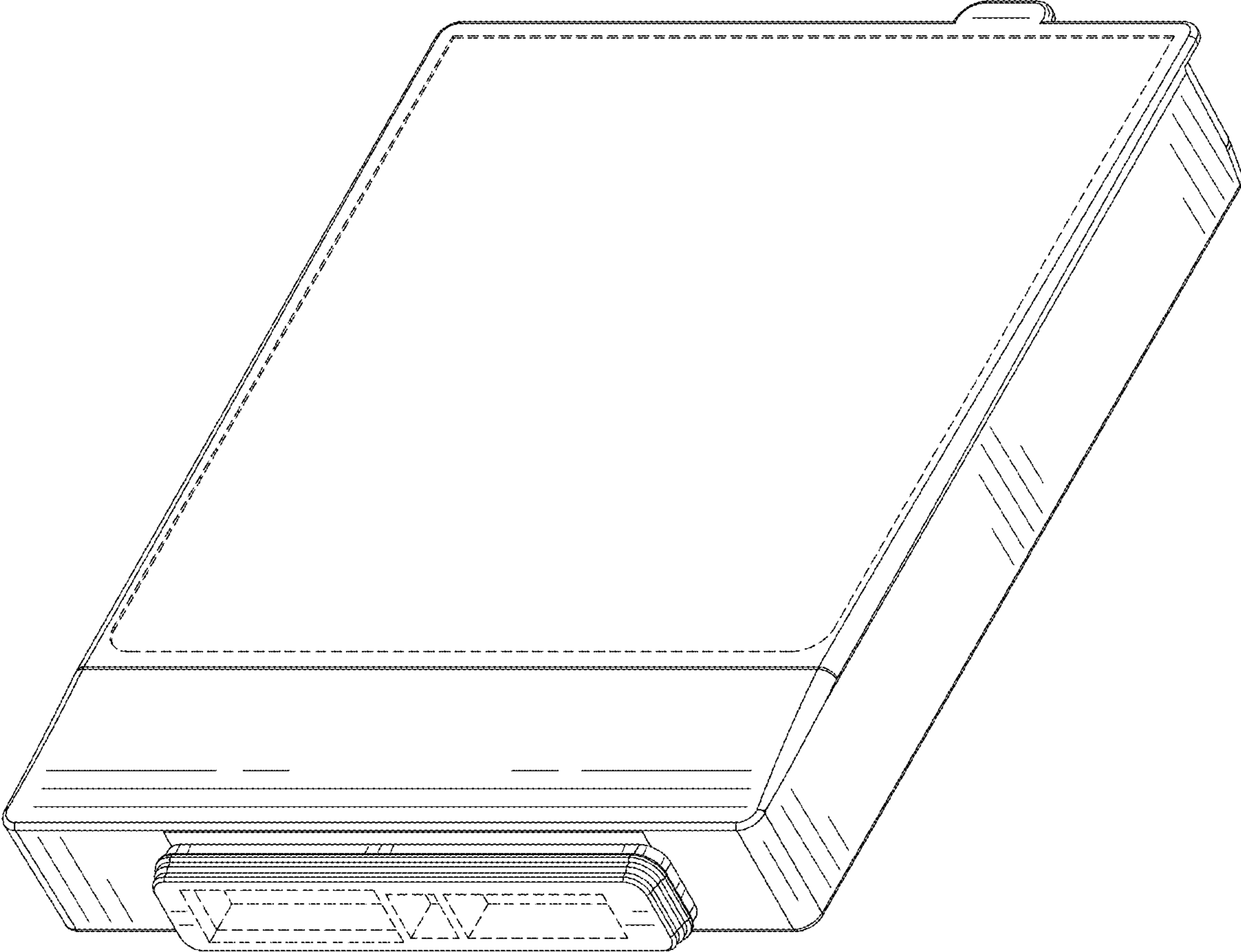


FIG. 2

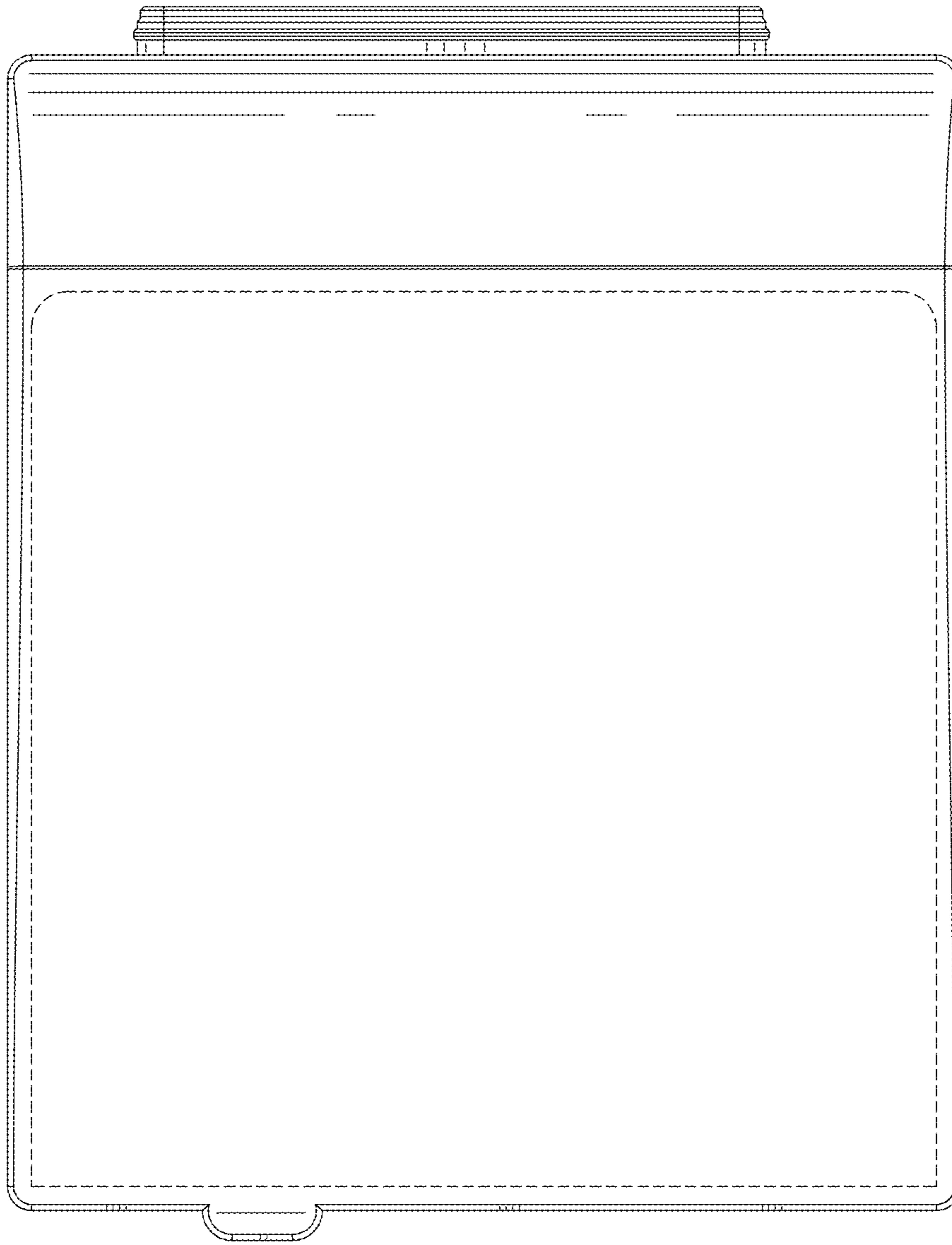


FIG. 3

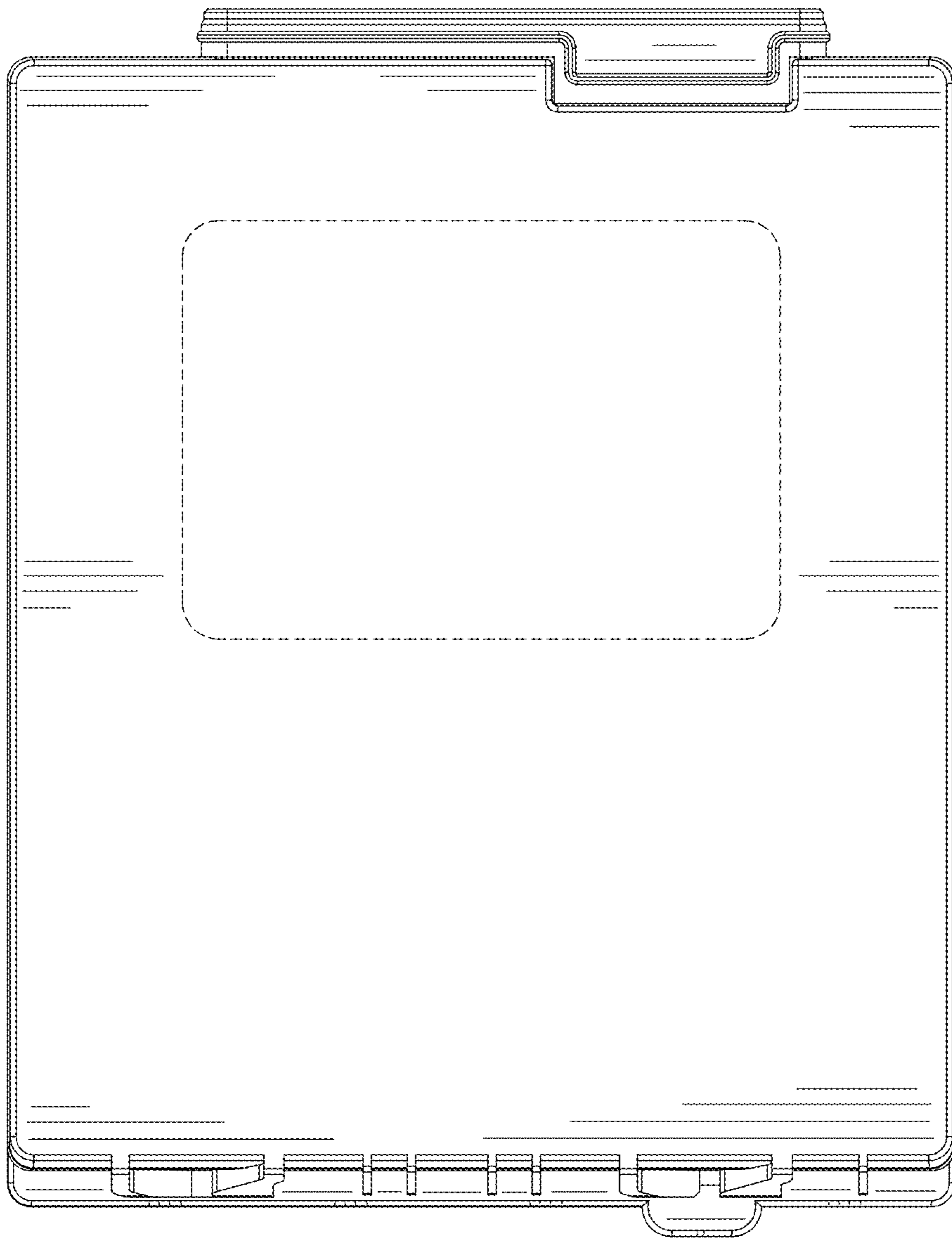


FIG. 4

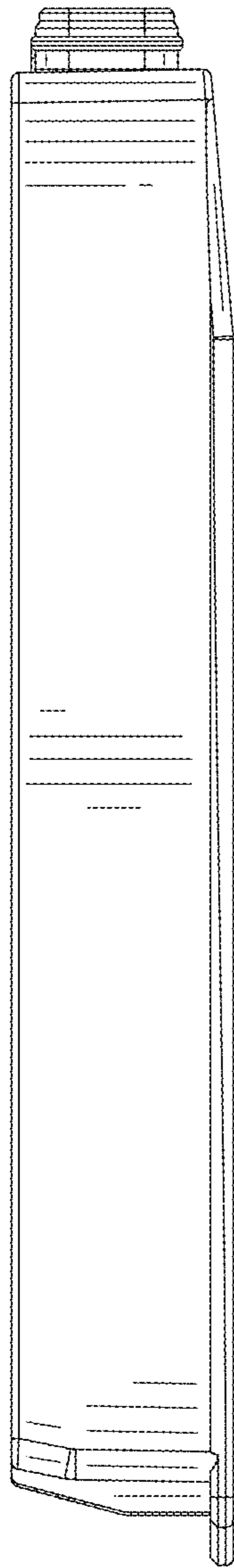


FIG. 5

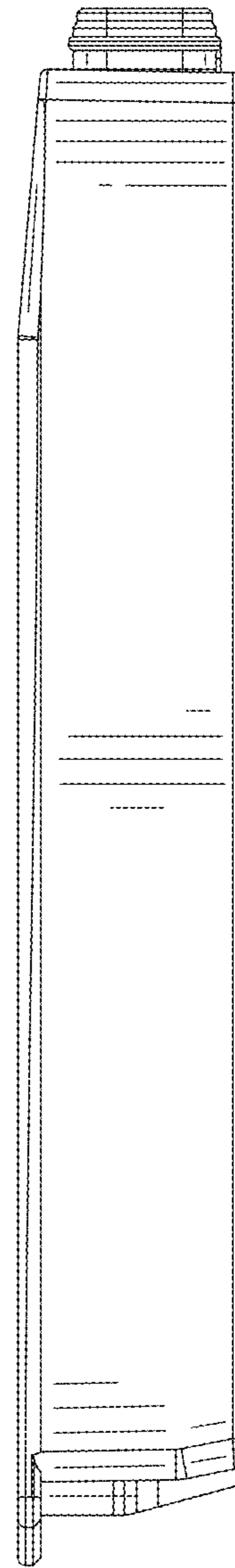


FIG. 6

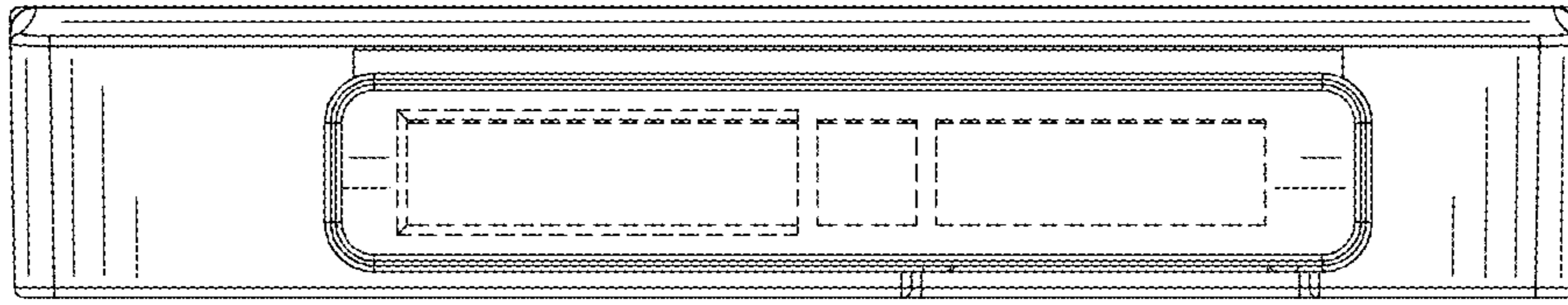


FIG. 7

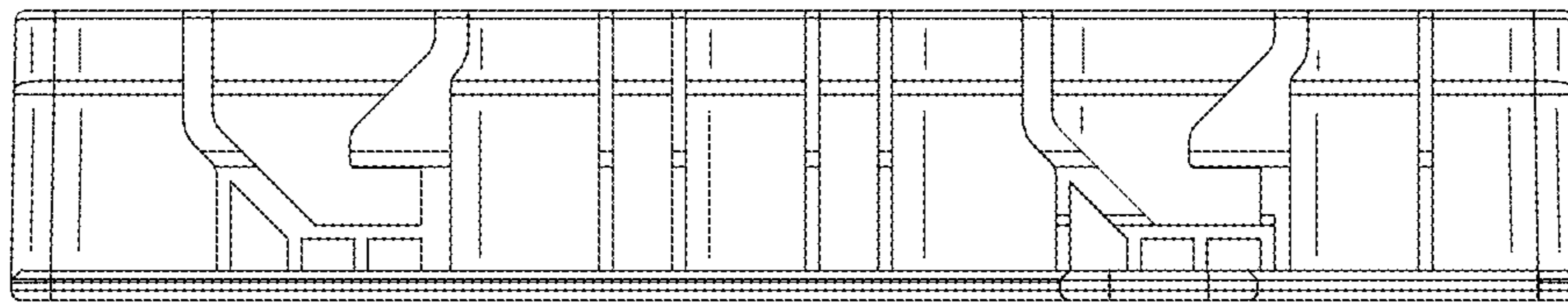


FIG. 8