



US00D959356S

(12) **United States Design Patent**
Chen

(10) **Patent No.:** **US D959,356 S**

(45) **Date of Patent:** **** Aug. 2, 2022**

(54) **AUTOMOTIVE INTERIOR RECEPTACLE**

(71) Applicant: **Yufang Chen**, Shenzhen (CN)

(72) Inventor: **Yufang Chen**, Shenzhen (CN)

(**) Term: **15 Years**

(21) Appl. No.: **29/812,123**

(22) Filed: **Oct. 19, 2021**

(51) **LOC (13) Cl.** **12-16**

(52) **U.S. Cl.**
USPC **D12/425**

(58) **Field of Classification Search**
USPC D12/425, 400, 406, 415-420, 424, 426
CPC B60R 16/04; B63B 17/00; B63B 35/00;
B63B 7/085; B63B 25/00
See application file for complete search history.

(56) **References Cited**

U.S. PATENT DOCUMENTS

D875,027 S	2/2020	Ma et al.	
D875,029 S	2/2020	Ma et al.	
D925,944 S *	7/2021	Joyner	D6/553
D935,380 S *	11/2021	Ma	D12/421
D935,381 S *	11/2021	Chen	D12/425
D937,081 S *	11/2021	Yamane	D9/425
D938,892 S *	12/2021	Lai	D12/415
D940,057 S *	1/2022	Guo	D12/425

D943,496 S *	2/2022	Brumby	D12/425
D946,493 S *	3/2022	Huang	D12/425
D946,494 S *	3/2022	Huang	D12/425
D949,766 S *	4/2022	Kim	B62D 25/00 D12/195
D949,773 S *	4/2022	Huang	D12/425
D950,476 S *	5/2022	Gan	D12/425
D951,851 S *	5/2022	Schwab	D12/415

* cited by examiner

Primary Examiner — Katrina A Betton

(57) **CLAIM**

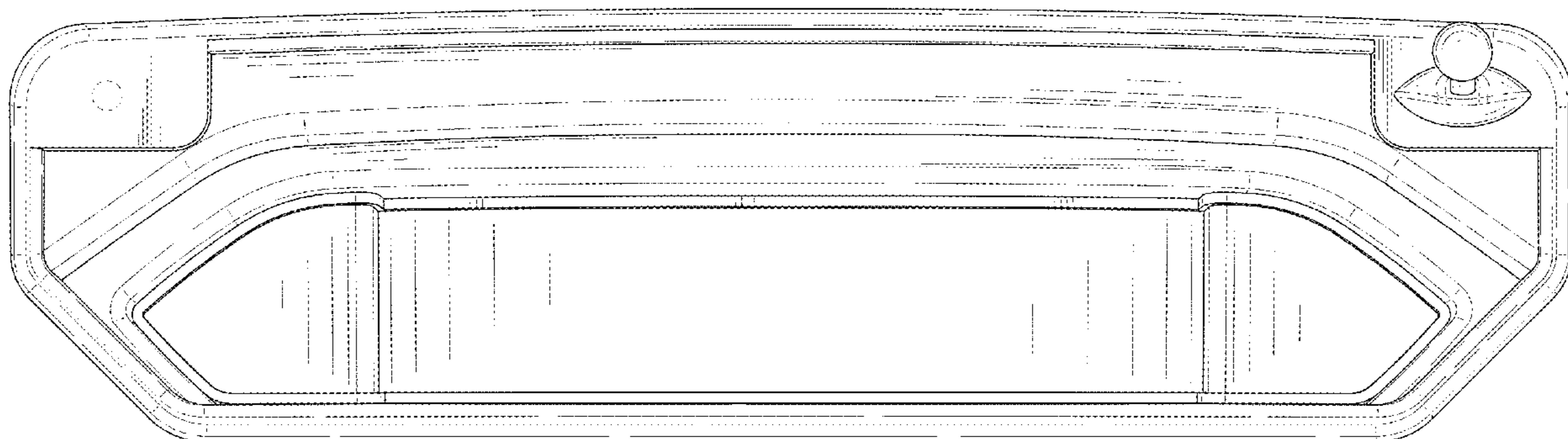
The ornamental design for an automotive interior receptacle, as shown and described.

DESCRIPTION

FIG. 1 is a perspective view of an automotive interior receptacle showing my new design; FIG. 2 is another perspective view thereof; FIG. 3 is a front elevational view thereof; FIG. 4 is a rear elevational view thereof; FIG. 5 is a left side elevational view thereof; FIG. 6 is a right side elevational view thereof; FIG. 7 is a top plan view thereof; and, FIG. 8 is a bottom plan view thereof.

The broken lines in the drawings depict portions of the automotive interior receptacle that form no part of the claimed design.

1 Claim, 8 Drawing Sheets



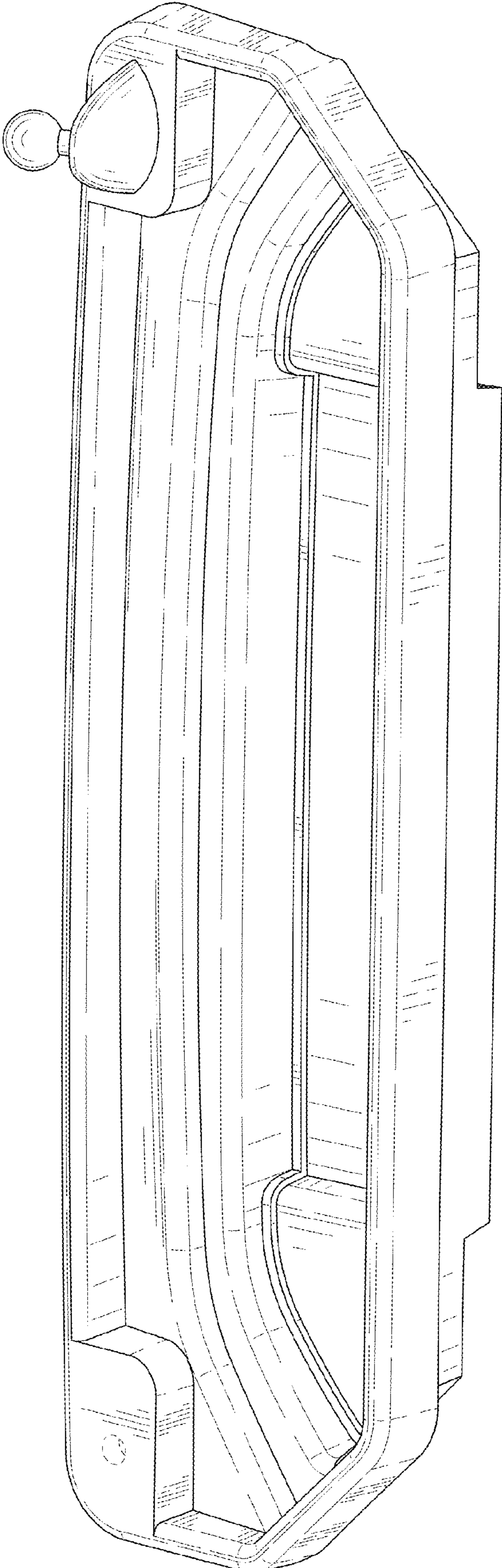


FIG. 1

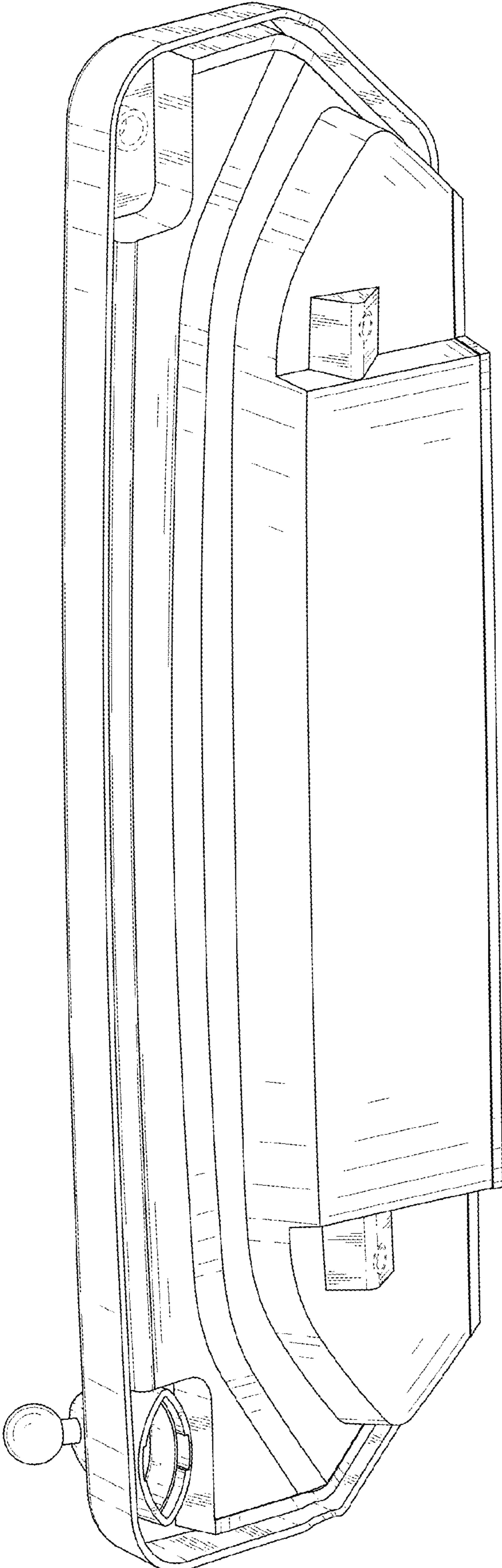


FIG. 2

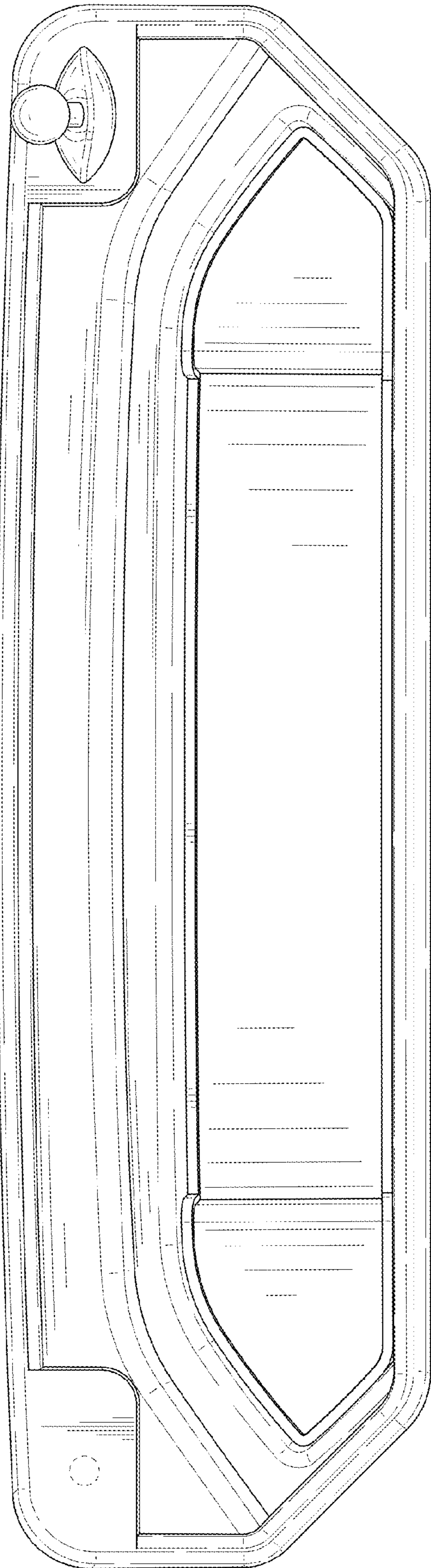


FIG. 3

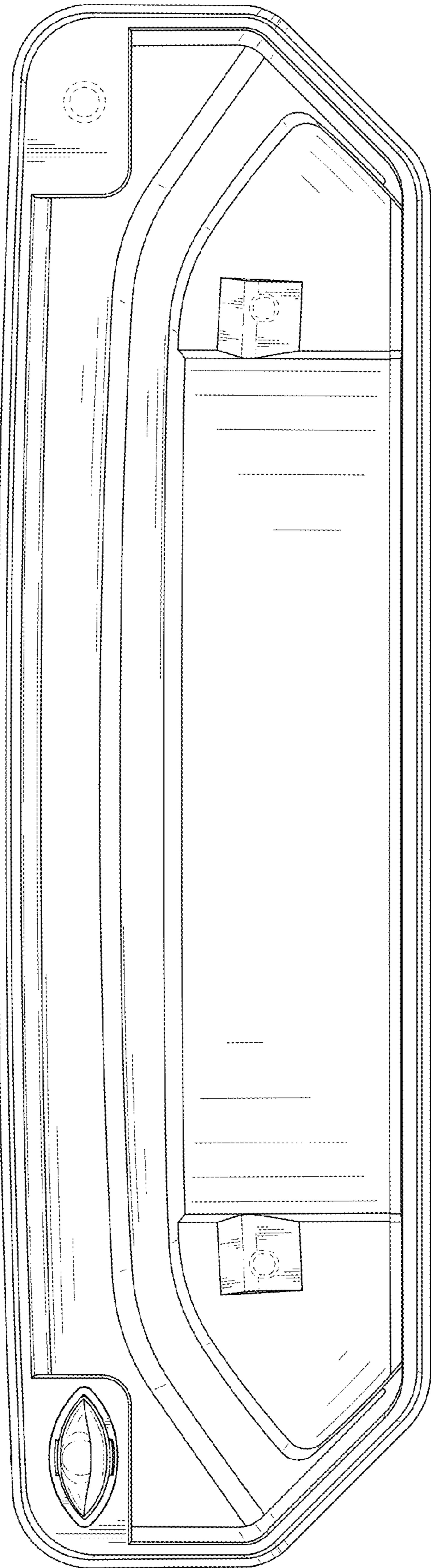


FIG. 4

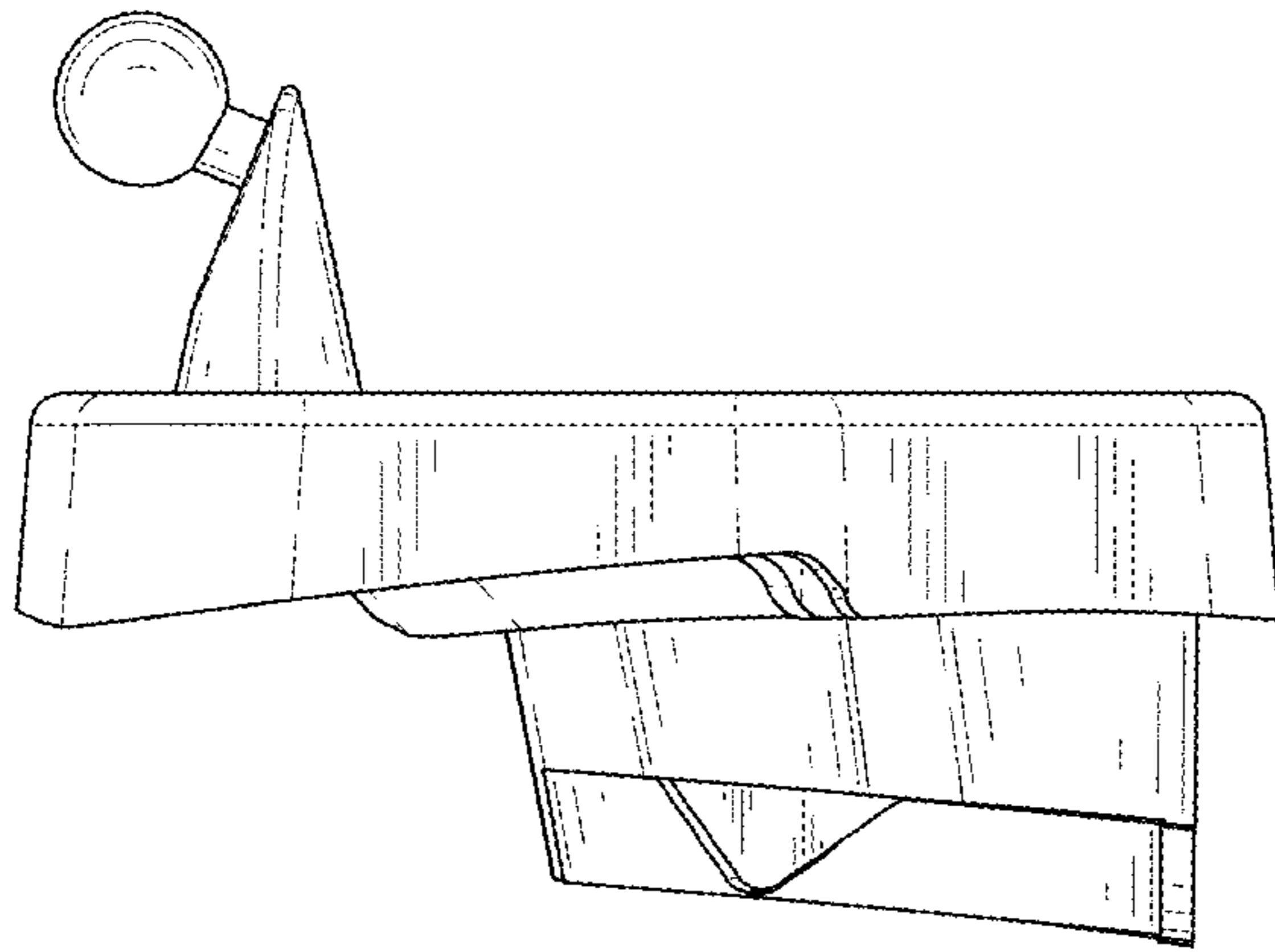


FIG. 5

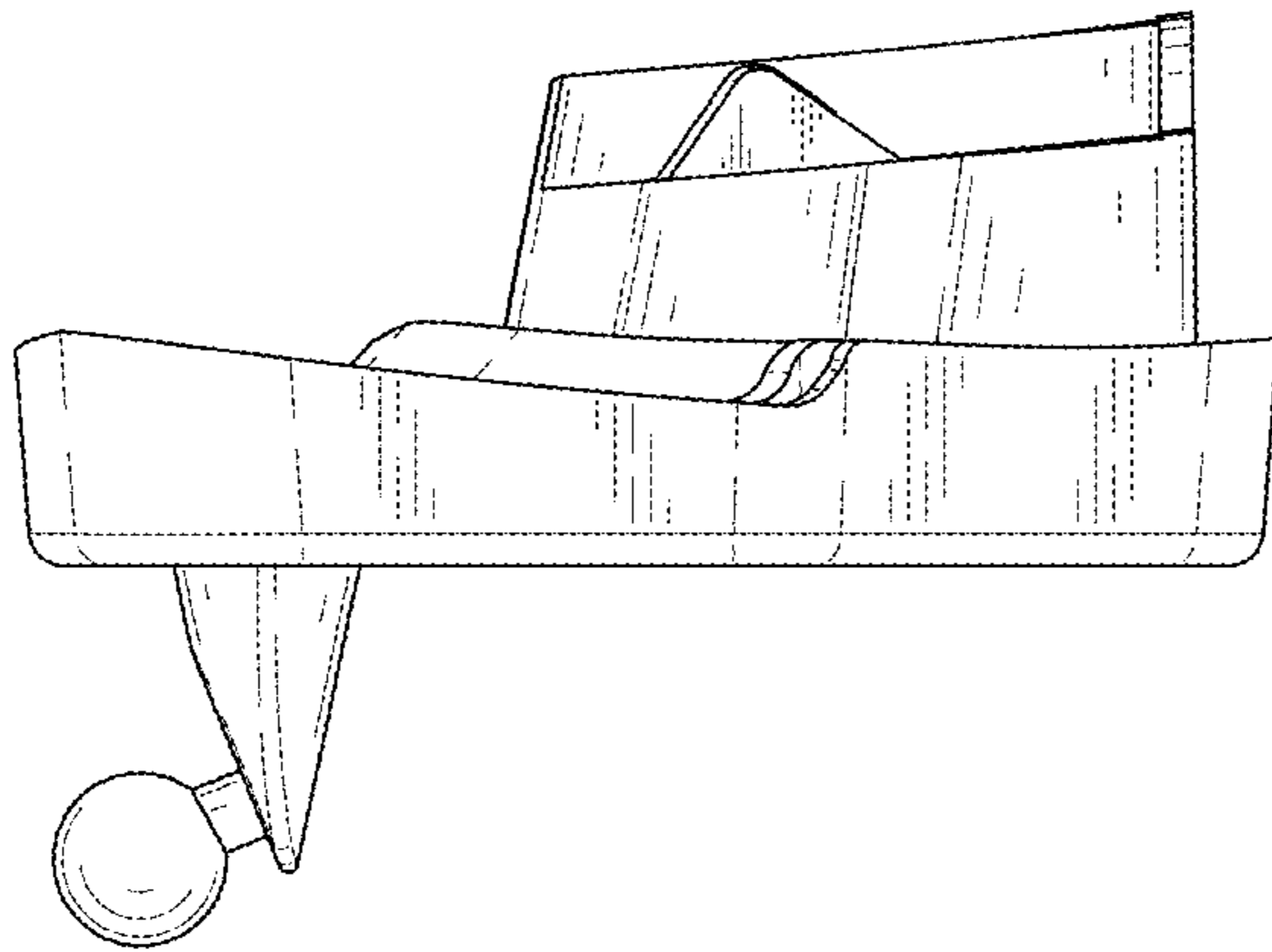


FIG. 6

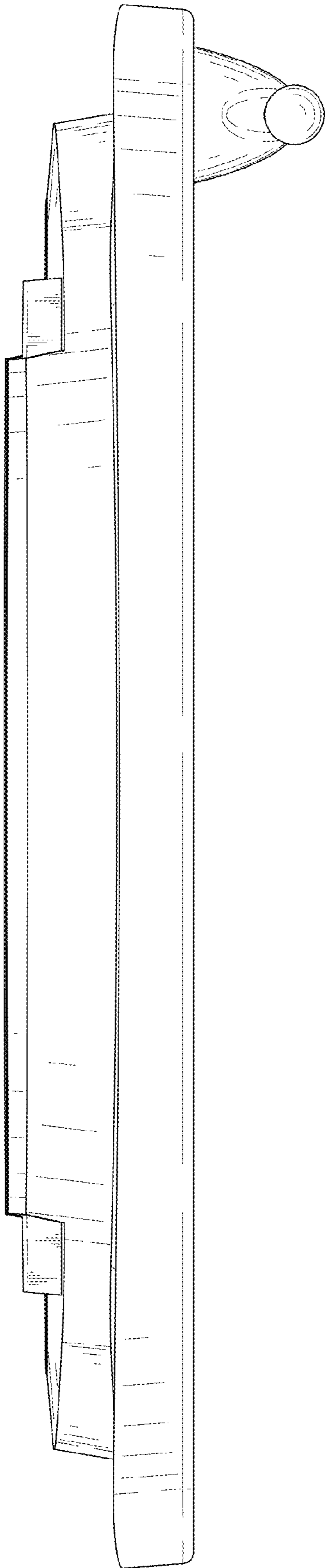


FIG. 7

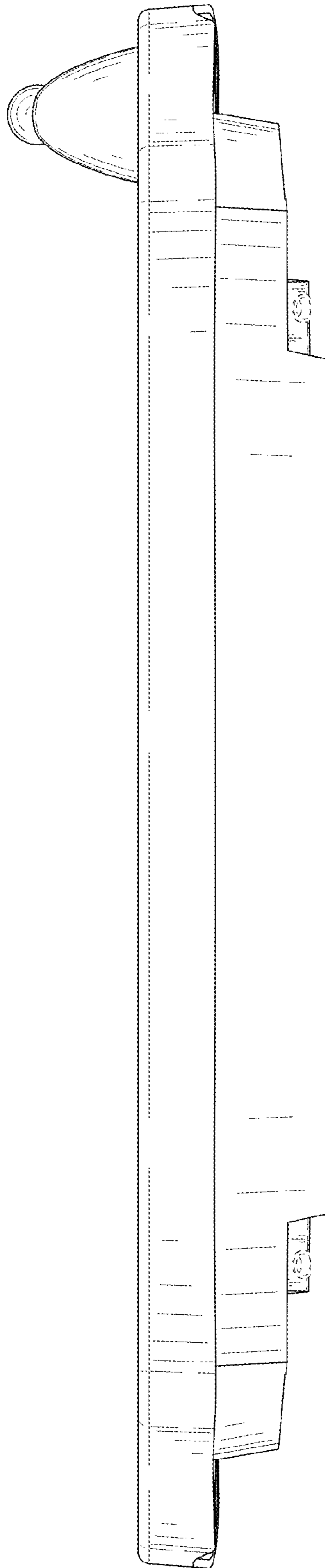


FIG. 8