



US00D959355S

(12) **United States Design Patent** (10) **Patent No.:** **US D959,355 S**  
**Li** (45) **Date of Patent:** **\*\* Aug. 2, 2022**

(54) <b>IN-CAR STORAGE BOX</b>	D890,079 S * 7/2020 Chen ..... D12/423
	D910,311 S * 2/2021 Howington ..... D3/303
(71) Applicant: <b>Guangzhou Renli Trading Co., Ltd.,</b> Guangzhou (CN)	D925,944 S * 7/2021 Joyner ..... D6/553
	D927,184 S * 8/2021 Wambolt, Sr. .... D3/303
	D928,771 S * 8/2021 Barnett ..... H04M 1/04 D14/251
(72) Inventor: <b>Ming Li, Ganzhou (CN)</b>	D935,380 S * 11/2021 Ma ..... D12/421
	D938,772 S * 12/2021 Styrc ..... D6/718.12
(73) Assignee: <b>Guangzhou Renli Trading Co., Ltd.,</b> Guangzhou (CN)	D938,892 S * 12/2021 Lai ..... D12/415
	D943,496 S * 2/2022 Brumby ..... D12/425
	D946,493 S * 3/2022 Huang ..... D12/425
(**) Term: <b>15 Years</b>	D949,766 S * 4/2022 Kim ..... B62D 25/00 D12/195

(21) Appl. No.: **29/816,843**

(22) Filed: **Nov. 24, 2021**

(51) **LOC (13) Cl.** ..... **12-16**

(52) **U.S. Cl.**  
USPC ..... **D12/422**

(58) **Field of Classification Search**  
USPC ..... D12/422, 425, 400, 406, 415-420, 424,  
D12/426  
CPC ..... B60R 16/04; B63B 17/00; B63B 35/00;  
B63B 7/085; B63B 25/00  
See application file for complete search history.

(56) **References Cited**

U.S. PATENT DOCUMENTS

D486,121 S	2/2004	Bergh et al.	
D821,959 S	7/2018	Baker	
D835,018 S *	12/2018	Fiore, IV	D14/258
D867,970 S	4/2019	Wu	
D848,758 S *	5/2019	McIntyre	D6/533

\* cited by examiner

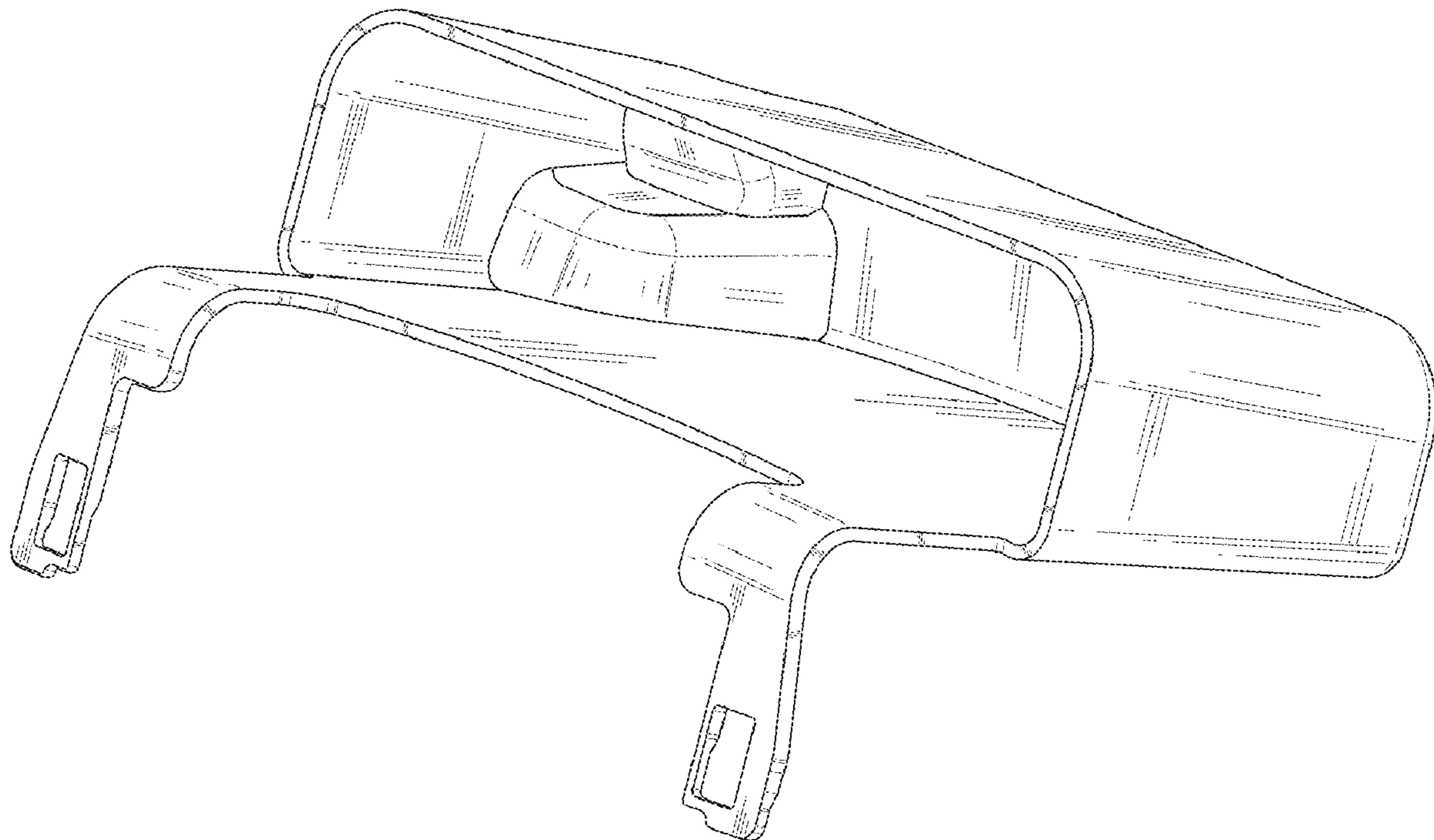
*Primary Examiner* — Katrina A Betton  
(74) *Attorney, Agent, or Firm* — Benjamin H. B. Sley

(57) **CLAIM**  
The ornamental design for an in-car storage box, as shown and described.

**DESCRIPTION**

FIG. 1 is a perspective view of an in-car storage box for vehicle on board controller showing my new design; FIG. 2 is another perspective view thereof; FIG. 3 is a front view thereof; FIG. 4 is a rear view thereof; FIG. 5 is a left side view thereof; FIG. 6 is a right side view thereof; FIG. 7 is a top plan view thereof; and, FIG. 8 is a bottom plan view thereof.

**1 Claim, 8 Drawing Sheets**



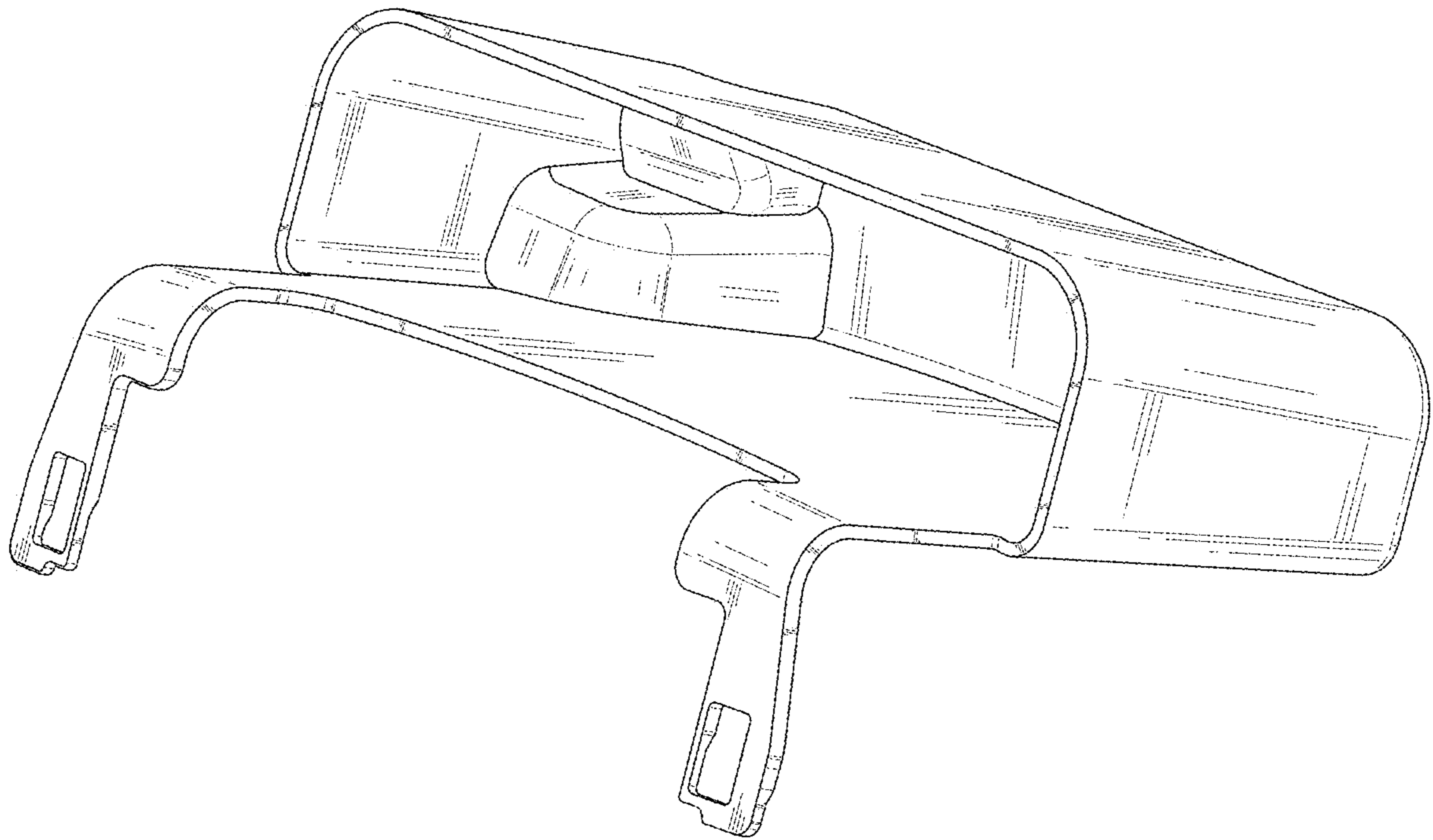


FIG. 1

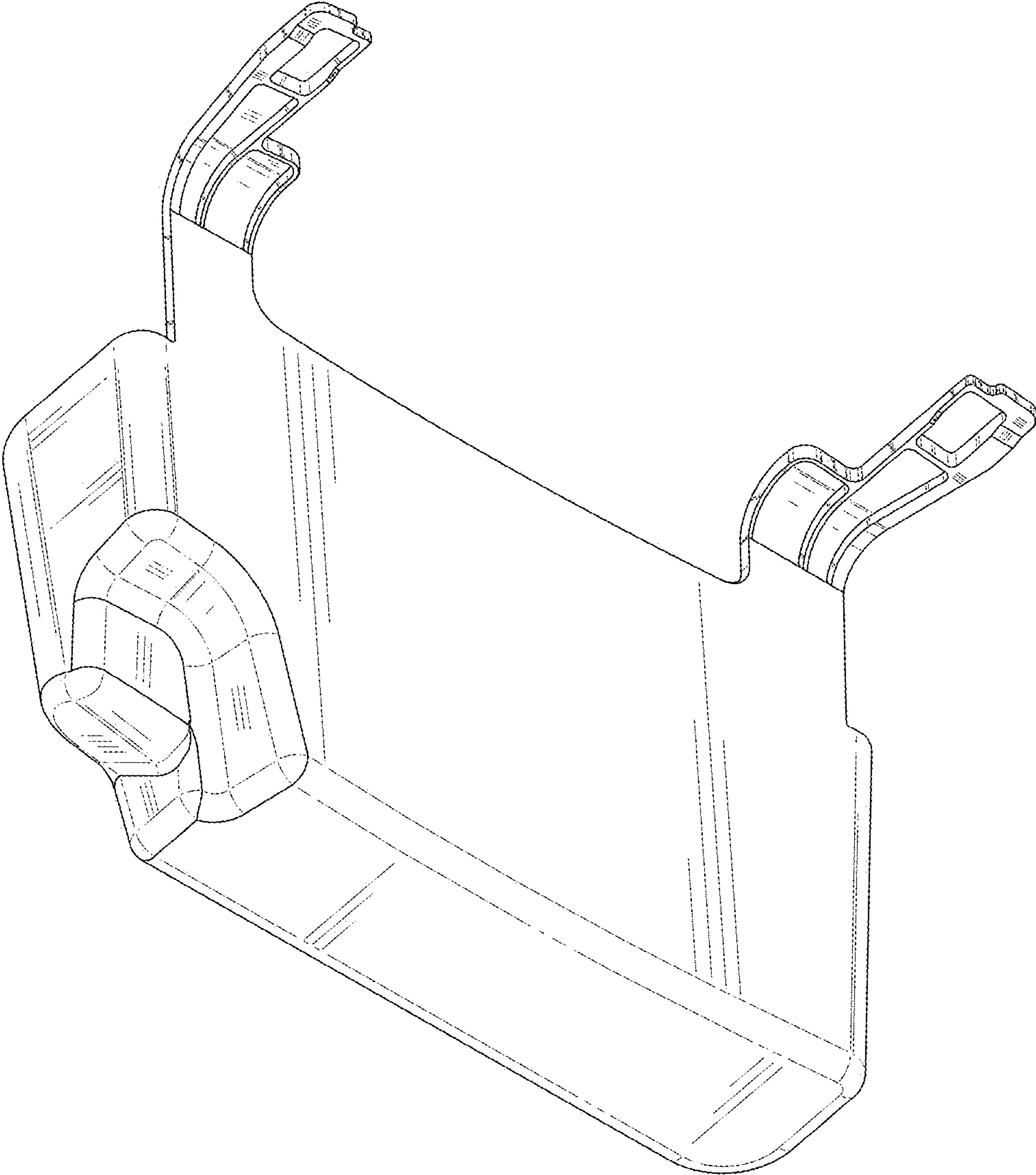


FIG. 2

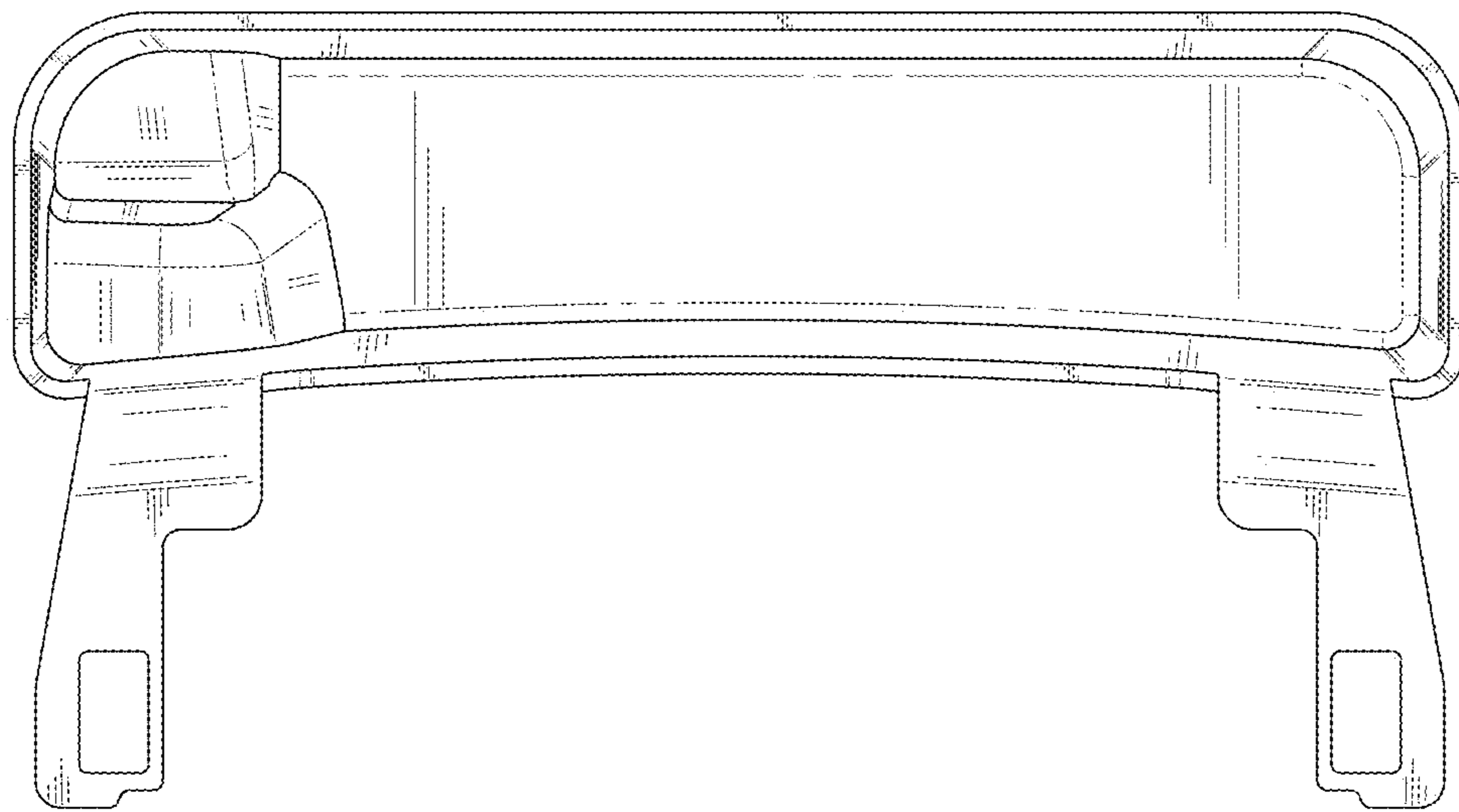


FIG. 3

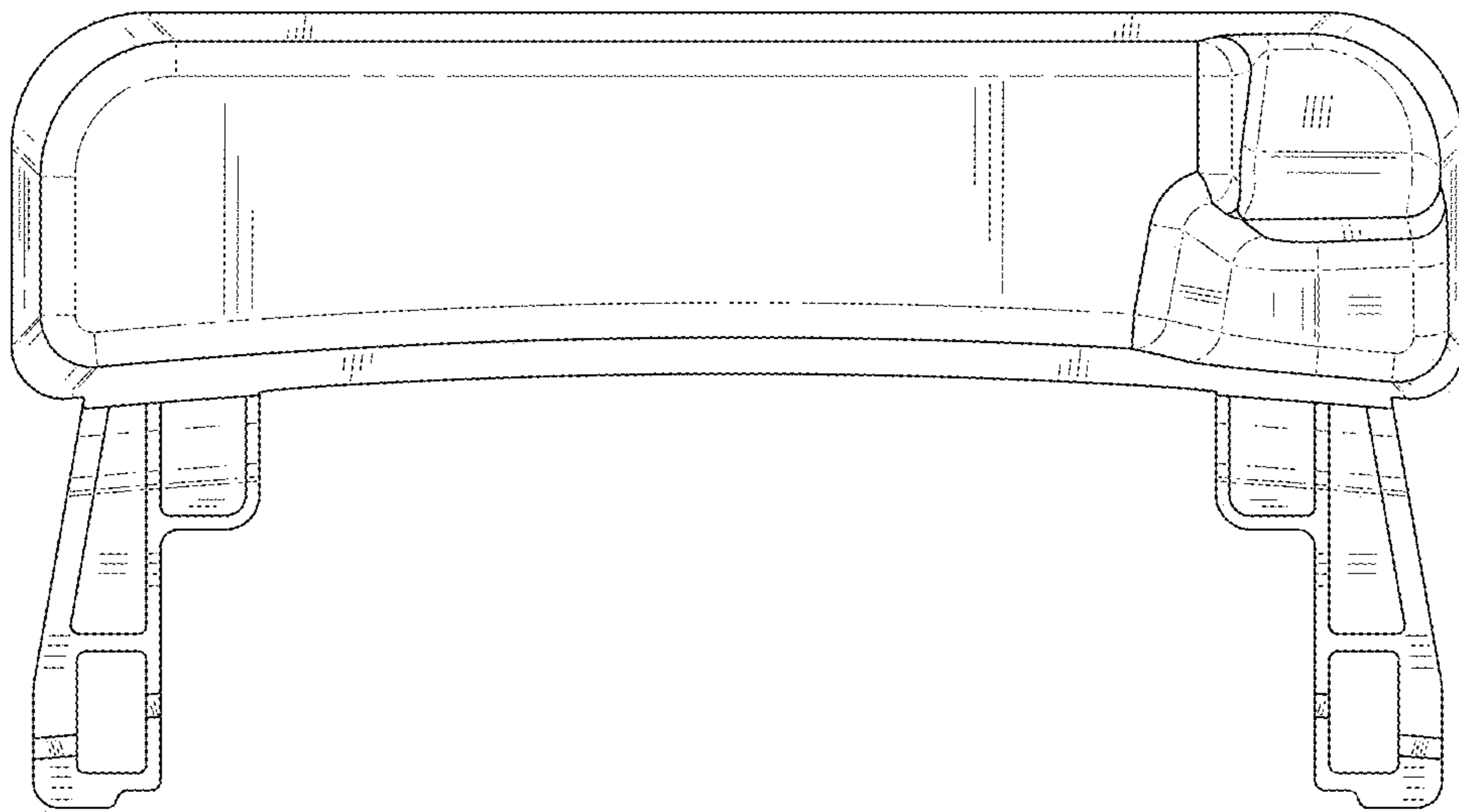


FIG. 4

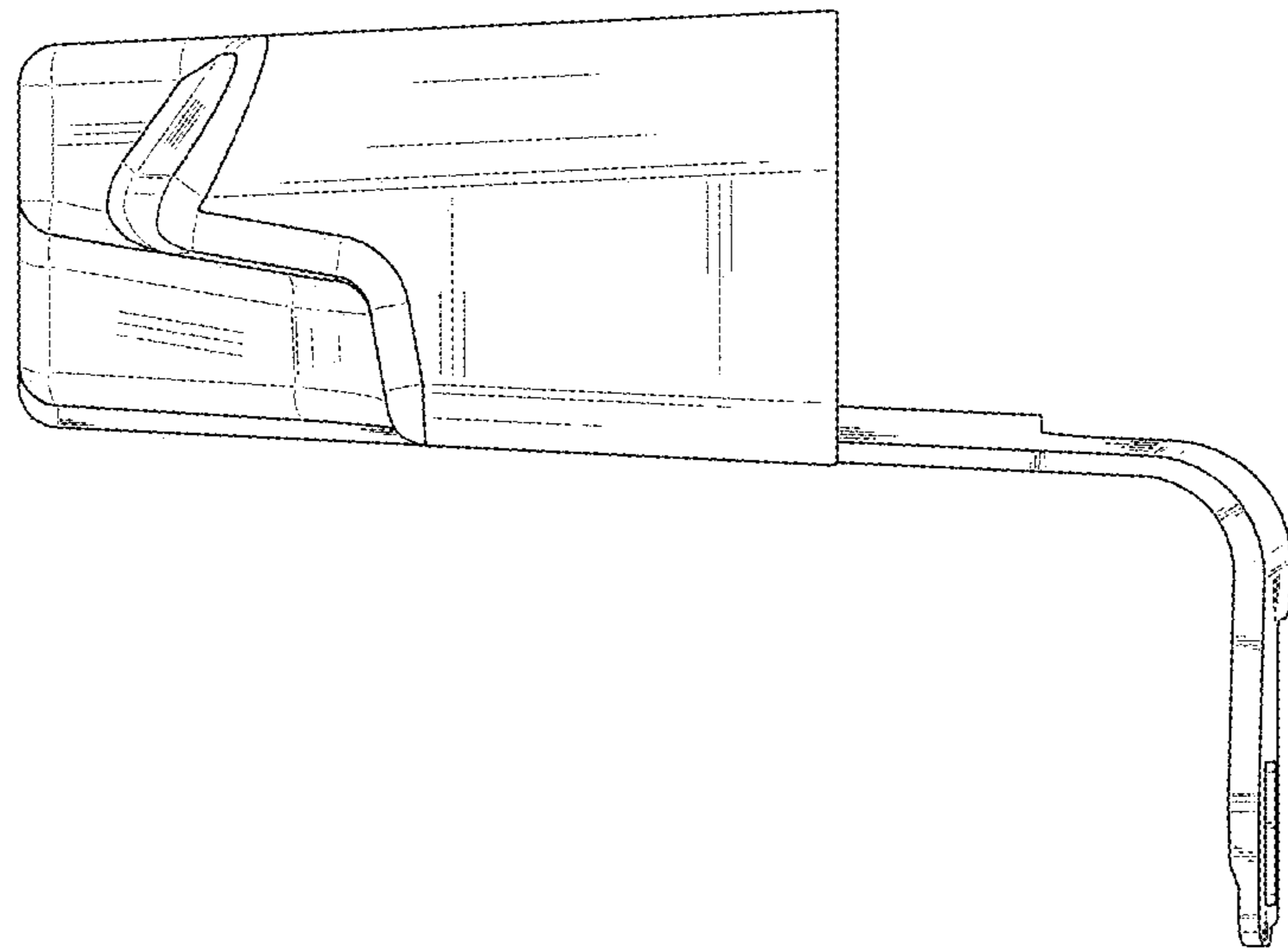


FIG. 5

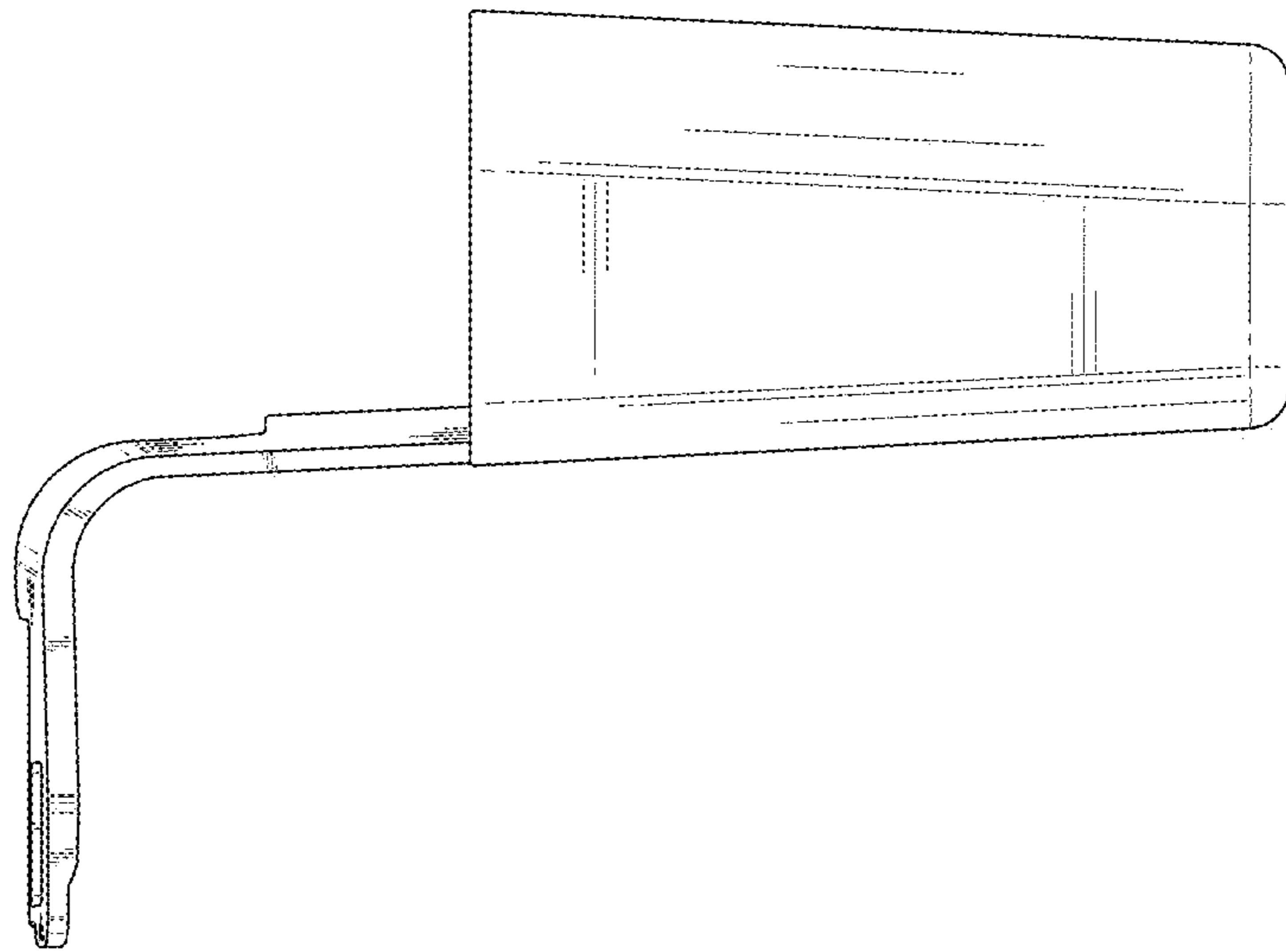


FIG. 6



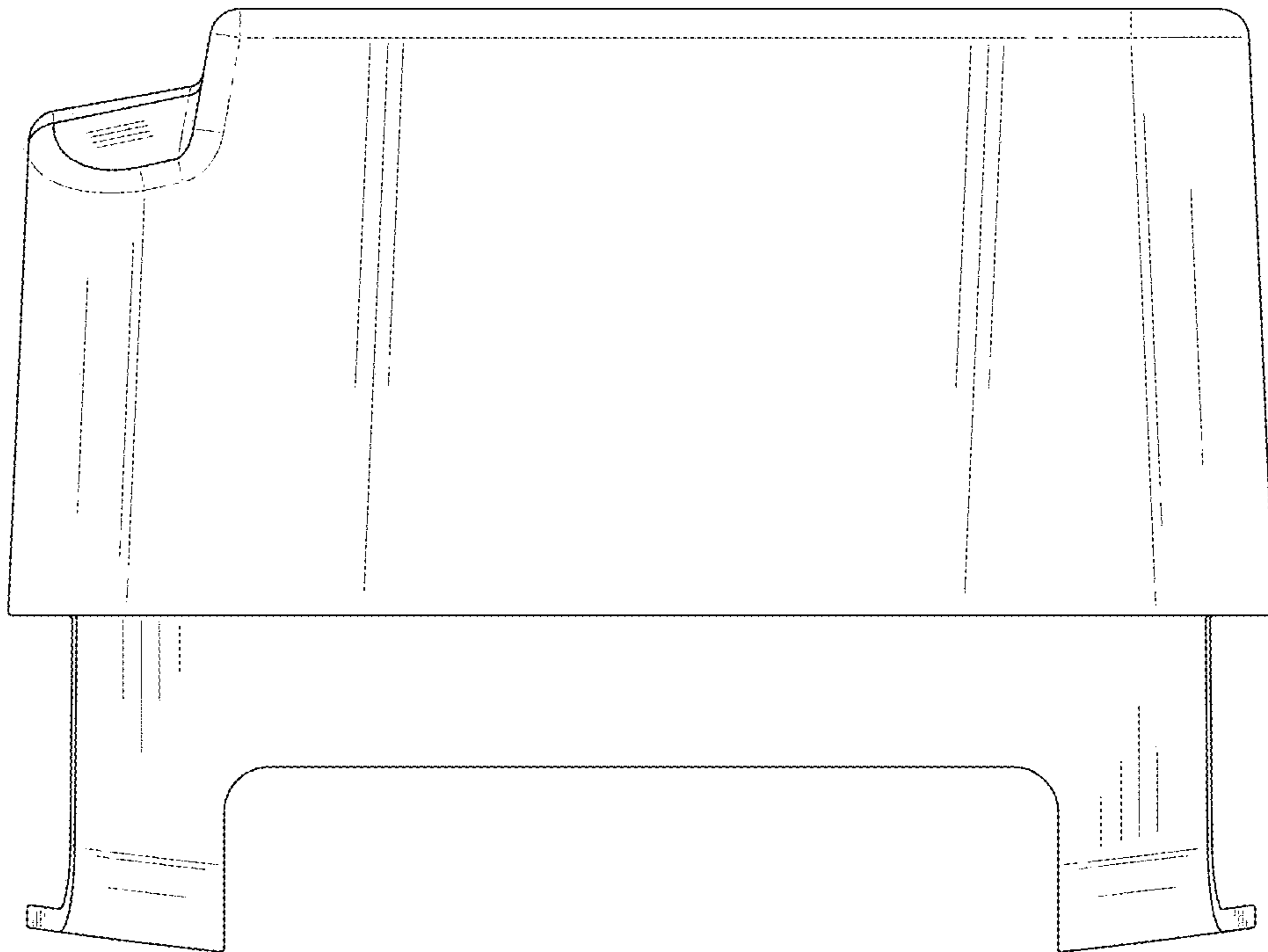


FIG. 7



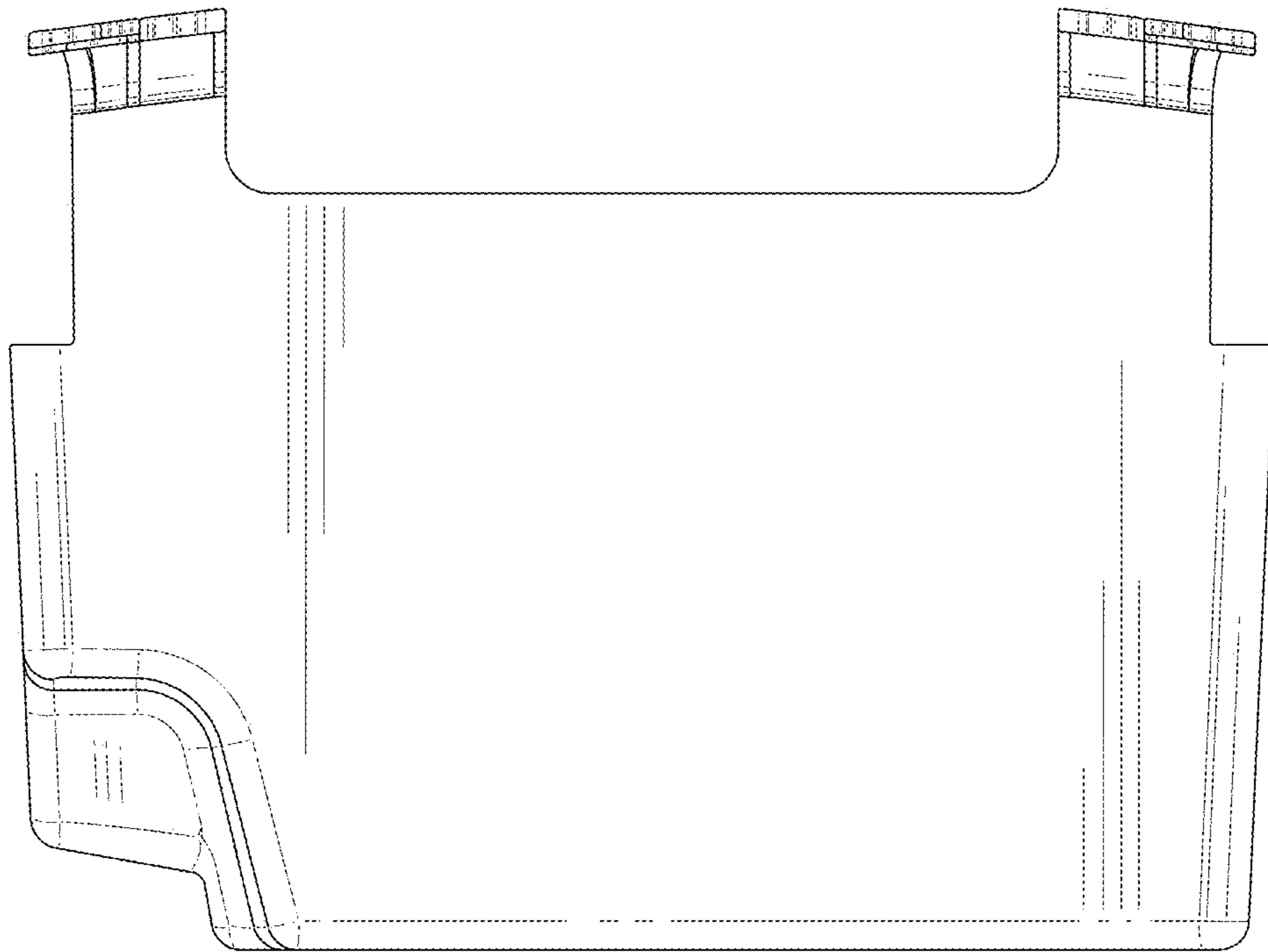


FIG. 8