



US00D959354S

(12) **United States Design Patent**
Wang

(10) **Patent No.:** **US D959,354 S**

(45) **Date of Patent:** **** Aug. 2, 2022**

(54) **CAR BACKSEAT ORGANIZER**

(71) Applicant: **Zhiyong Wang**, Guangzhou (CN)

(72) Inventor: **Zhiyong Wang**, Guangzhou (CN)

(**) Term: **15 Years**

(21) Appl. No.: **29/816,842**

(22) Filed: **Nov. 24, 2021**

(30) **Foreign Application Priority Data**

Aug. 12, 2021 (CN) 202130521310.9

(51) **LOC (13) Cl.** **12-16**

(52) **U.S. Cl.**
USPC **D12/416**

(58) **Field of Classification Search**
USPC D12/422, 425, 400, 406, 415–420, 424,
D12/426
CPC B60R 16/04; B63B 17/00; B63B 35/00;
B63B 7/085; B63B 25/00
See application file for complete search history.

(56) **References Cited**

U.S. PATENT DOCUMENTS

- D835,018 S * 12/2018 Fiore, IV D14/258
- D890,079 S 7/2020 Si
- D922,935 S 6/2021 Guo
- D927,184 S * 8/2021 Wambolt, Sr. D3/303
- D934,152 S * 10/2021 Lai H04M 1/04
D12/415
- D938,892 S * 12/2021 Lai D12/415
- D940,520 S * 1/2022 Avellanet D7/701

- D940,635 S * 1/2022 Yang D12/419
- D940,636 S * 1/2022 Yang D12/419
- D942,217 S * 2/2022 Hong D7/553.5
- D943,496 S * 2/2022 Brumby D12/425
- D946,493 S * 3/2022 Huang D12/425
- D947,616 S * 4/2022 Ong D7/553.5
- D948,961 S * 4/2022 Robinson B62D 25/00
D7/620
- D949,636 S * 4/2022 Pan D7/620

* cited by examiner

Primary Examiner — Katrina A Betton

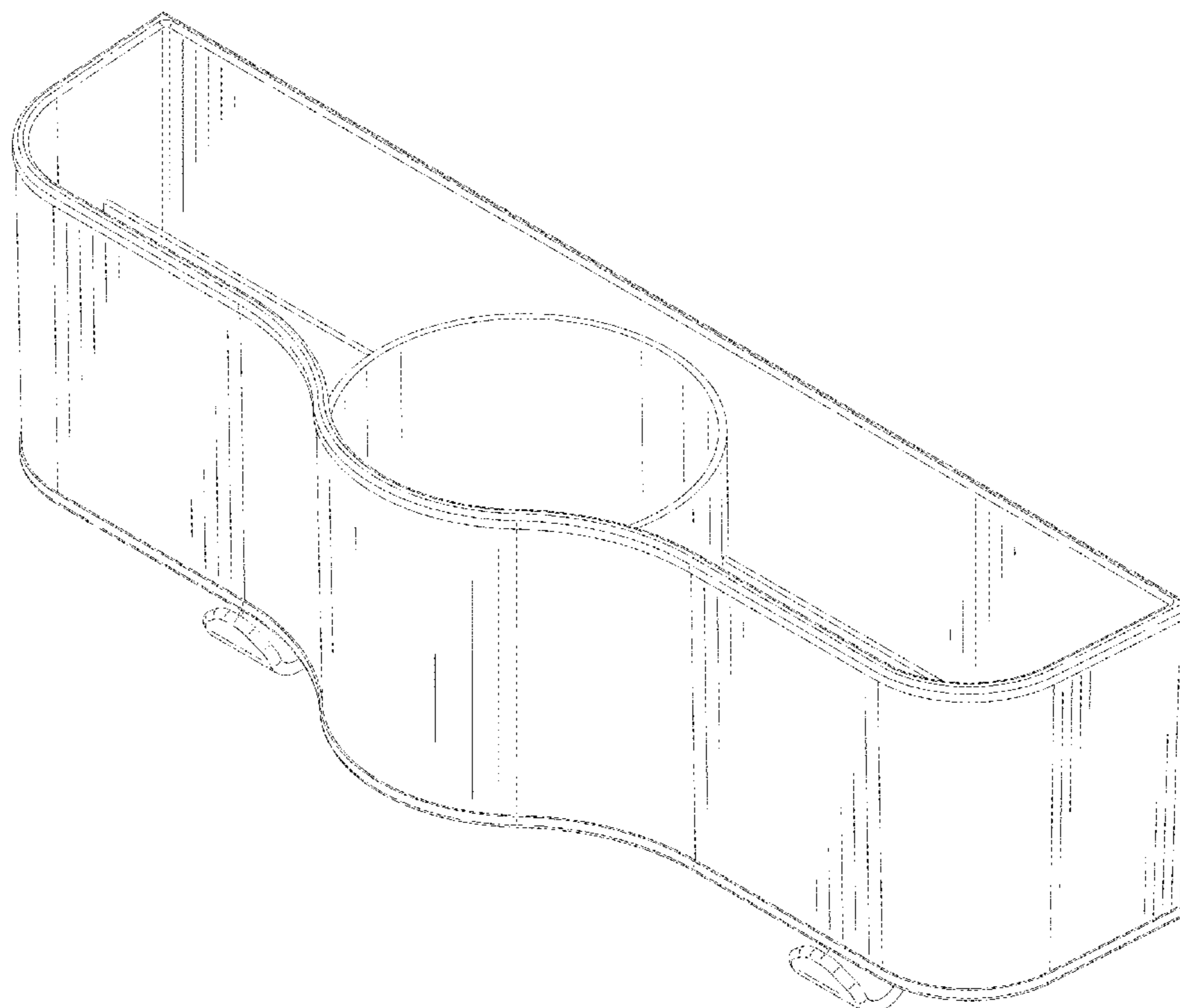
(57) **CLAIM**

The ornamental design for a car backseat organizer, as shown and described.

DESCRIPTION

FIG. 1 is a perspective view of a car backseat organizer showing my new design;
 FIG. 2 is another perspective view thereof;
 FIG. 3 is another perspective view thereof;
 FIG. 4 is a front elevational view thereof;
 FIG. 5 is a rear elevational view thereof;
 FIG. 6 is a left side elevational view thereof;
 FIG. 7 is a right side elevational view thereof;
 FIG. 8 is a top plan view thereof;
 FIG. 9 is a bottom plan view thereof;
 FIG. 10 is a perspective view of the car backseat organizer where the car backseat organizer is in a configuration of use; and,
 FIG. 11 is another perspective view thereof.
 The broken lines in the drawings depict portions of the car backseat organizer that form no part of the claimed design.

1 Claim, 11 Drawing Sheets



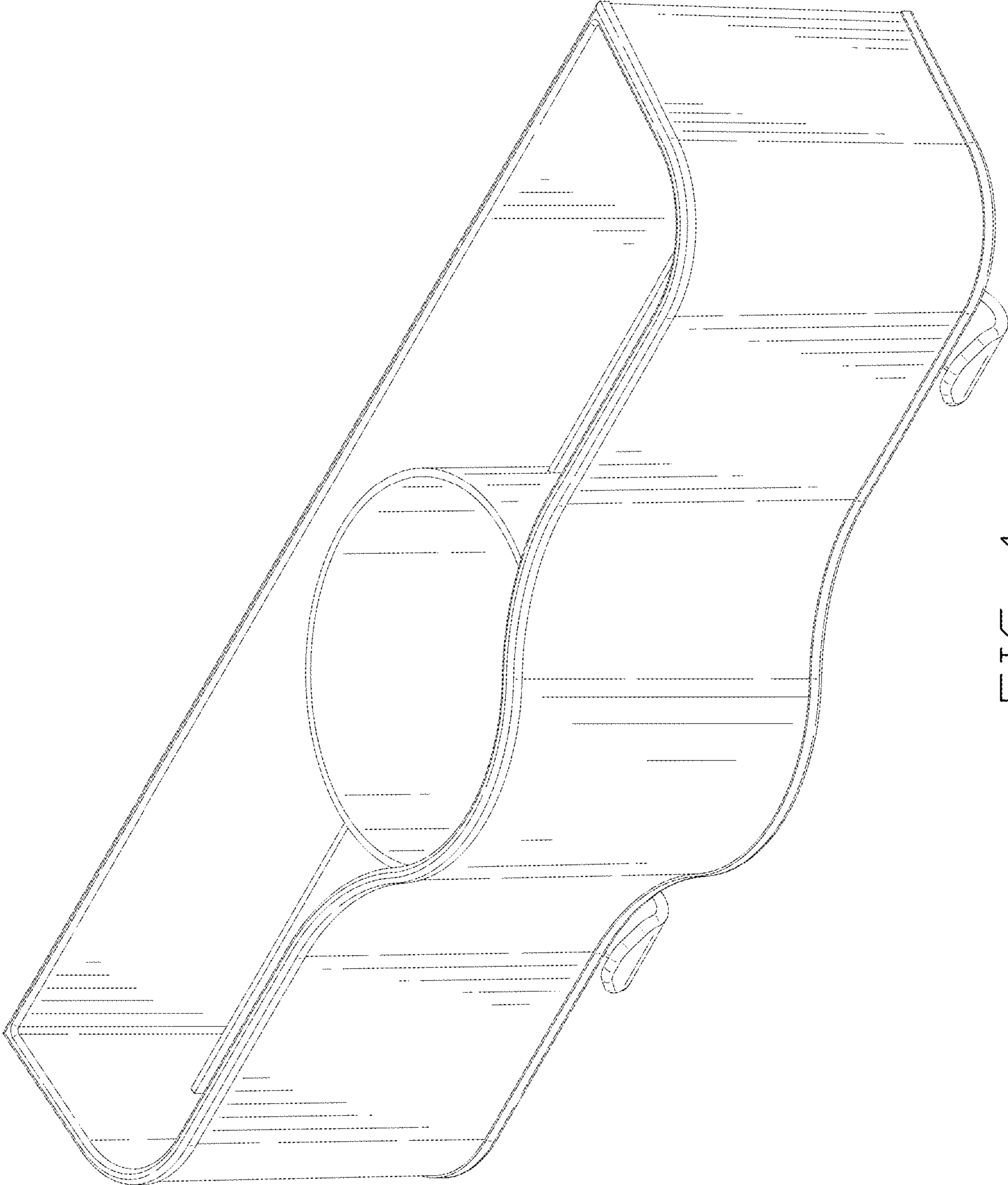


FIG. 1

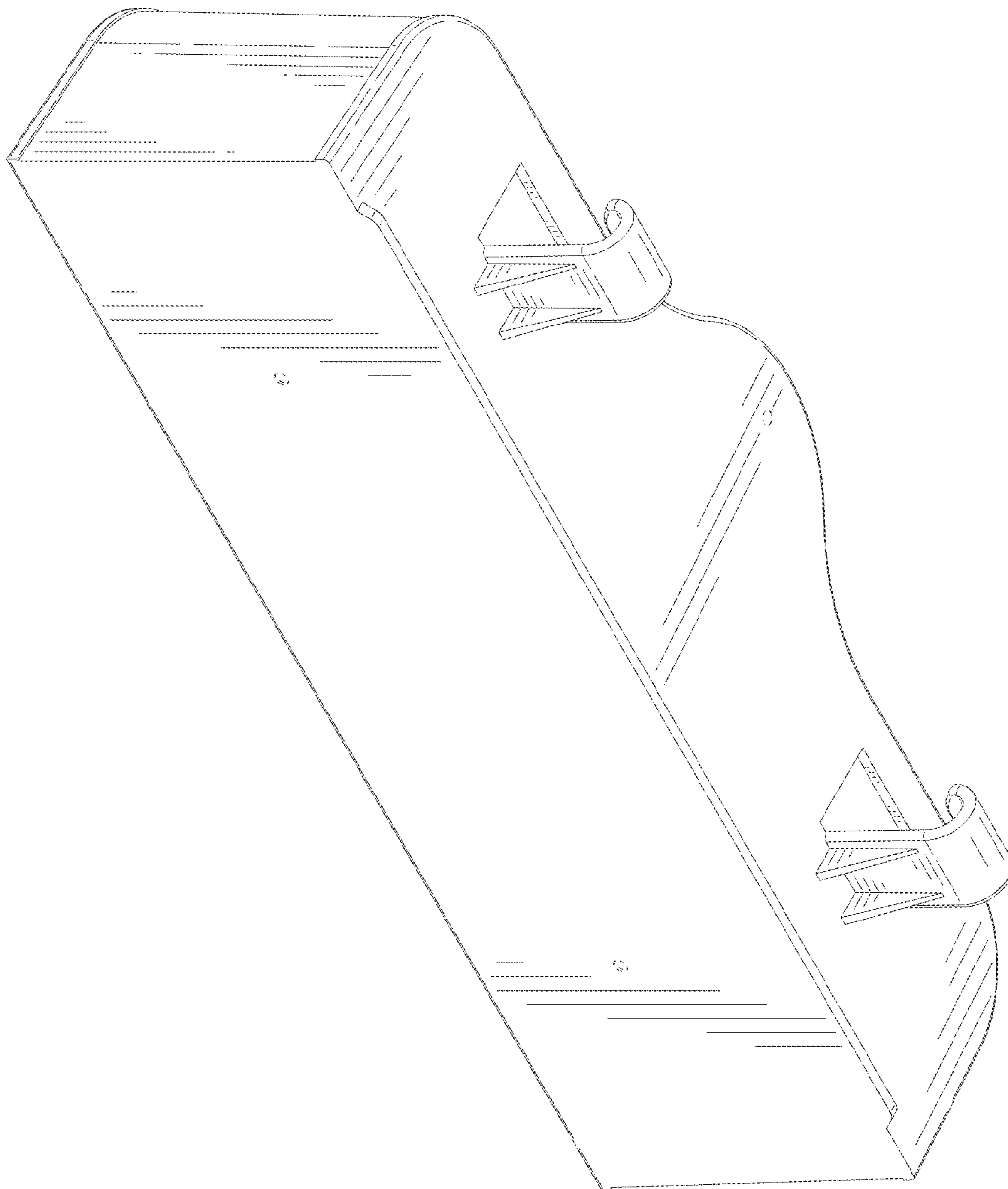


FIG. 2

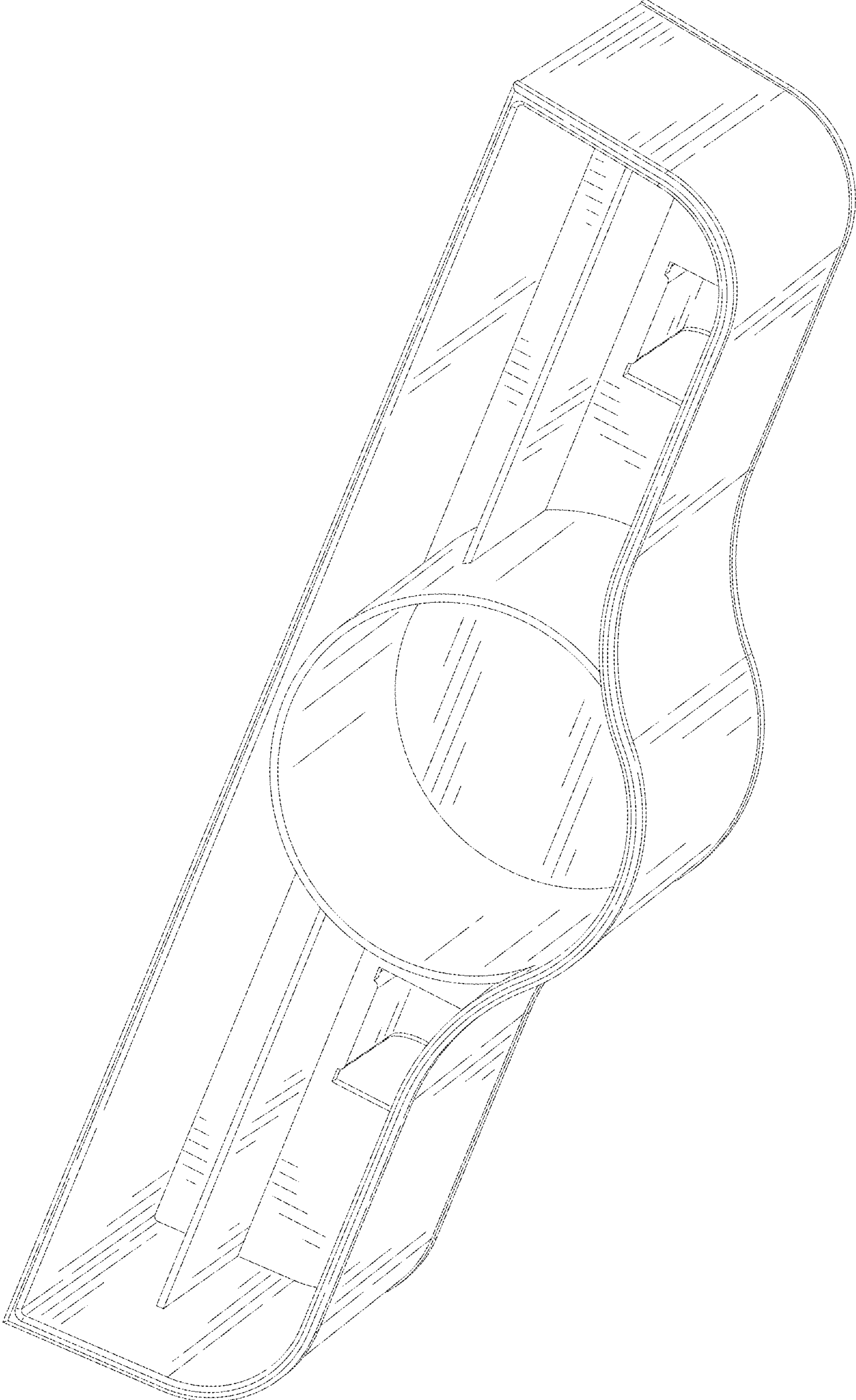


FIG. 3

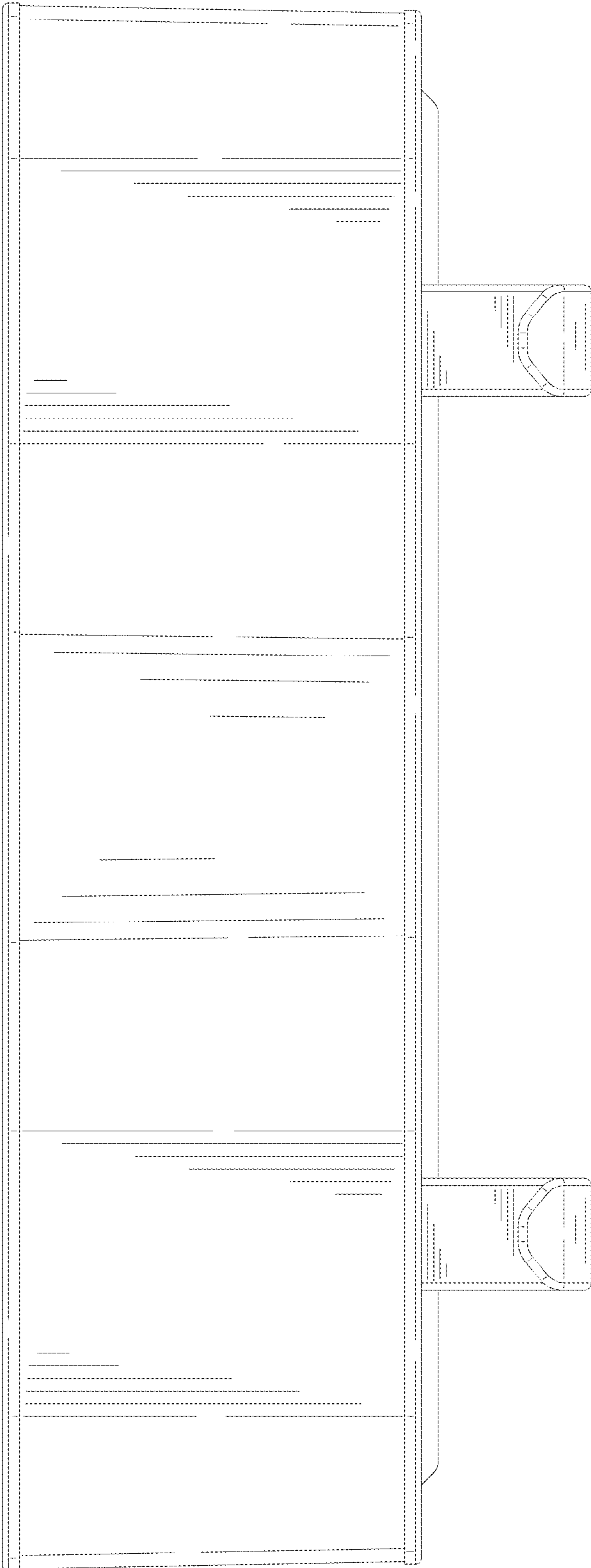


FIG. 4

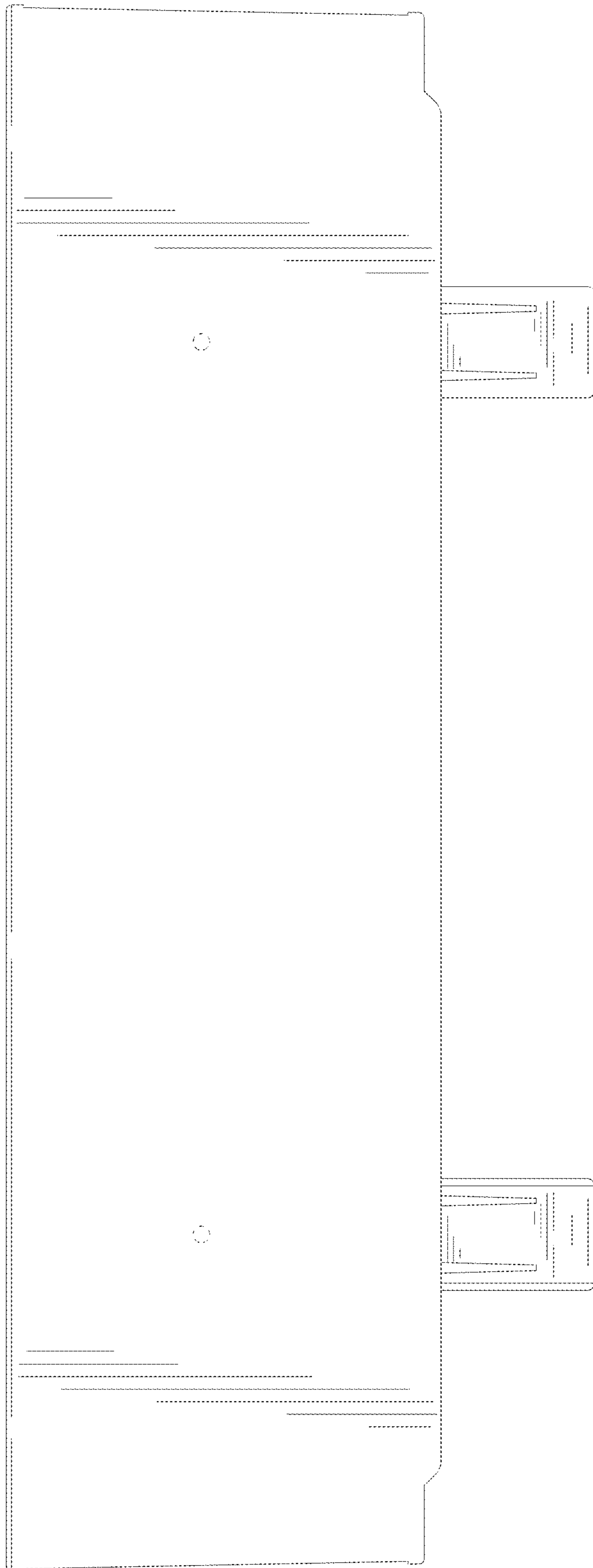


FIG. 5

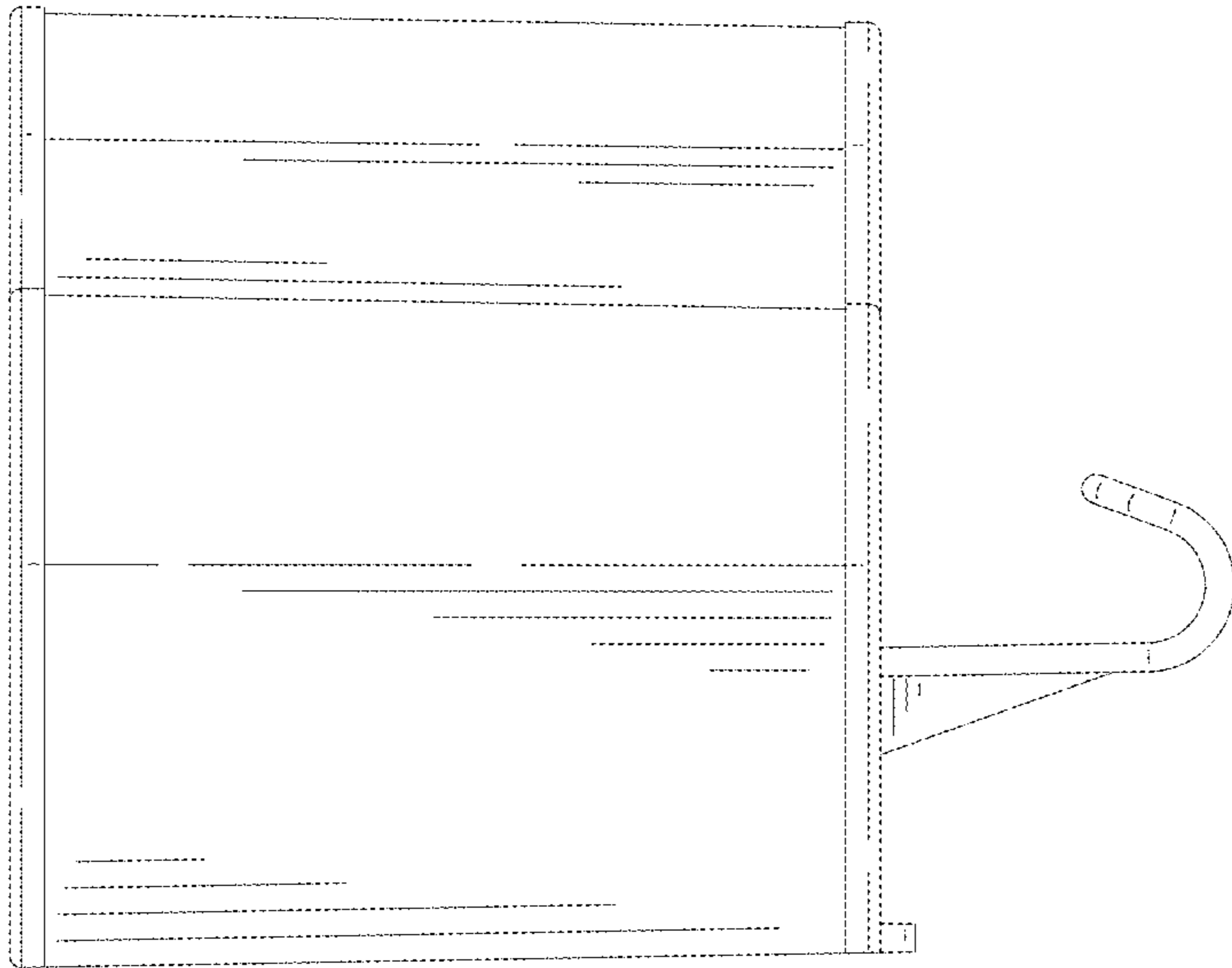


FIG. 6

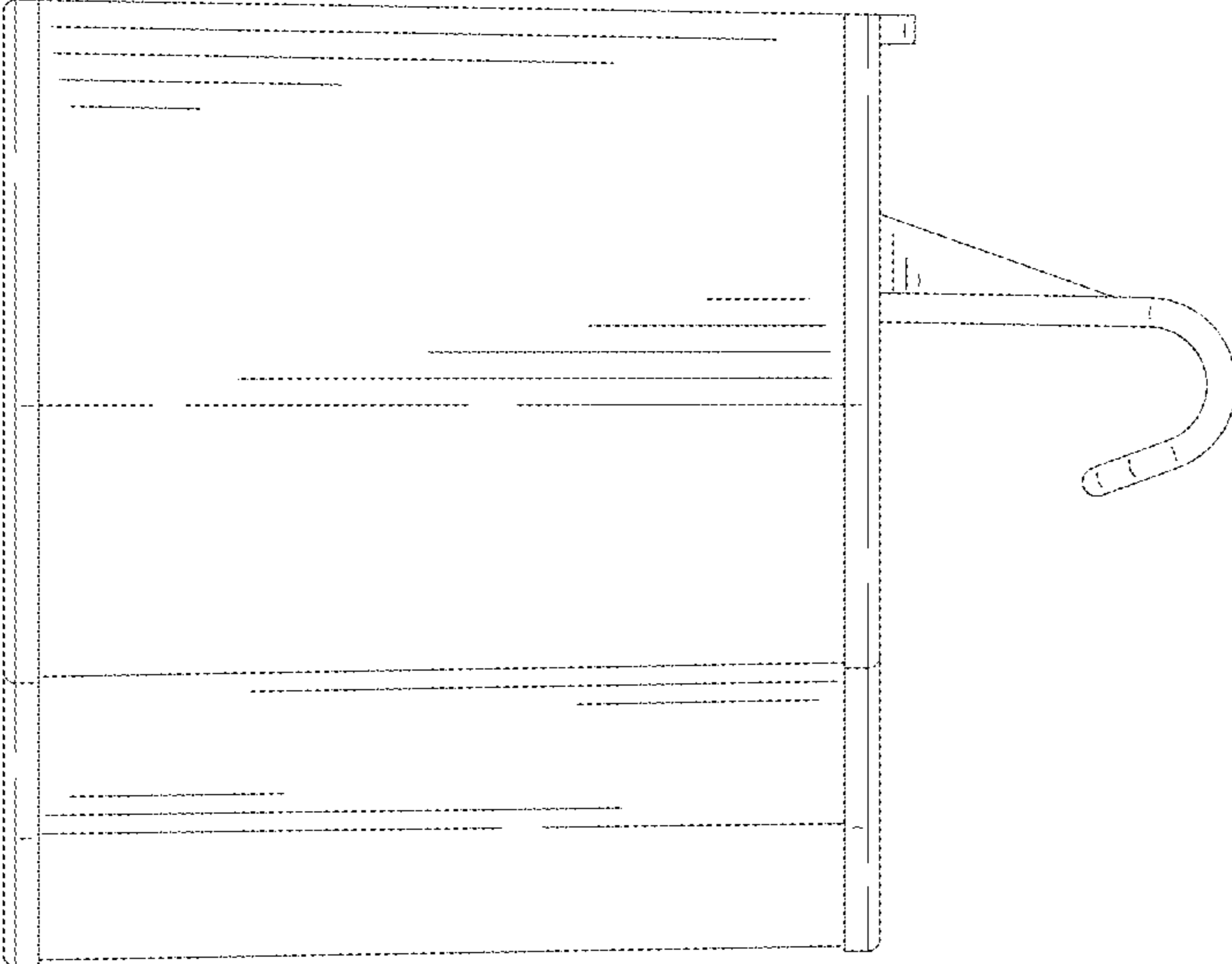


FIG. 7

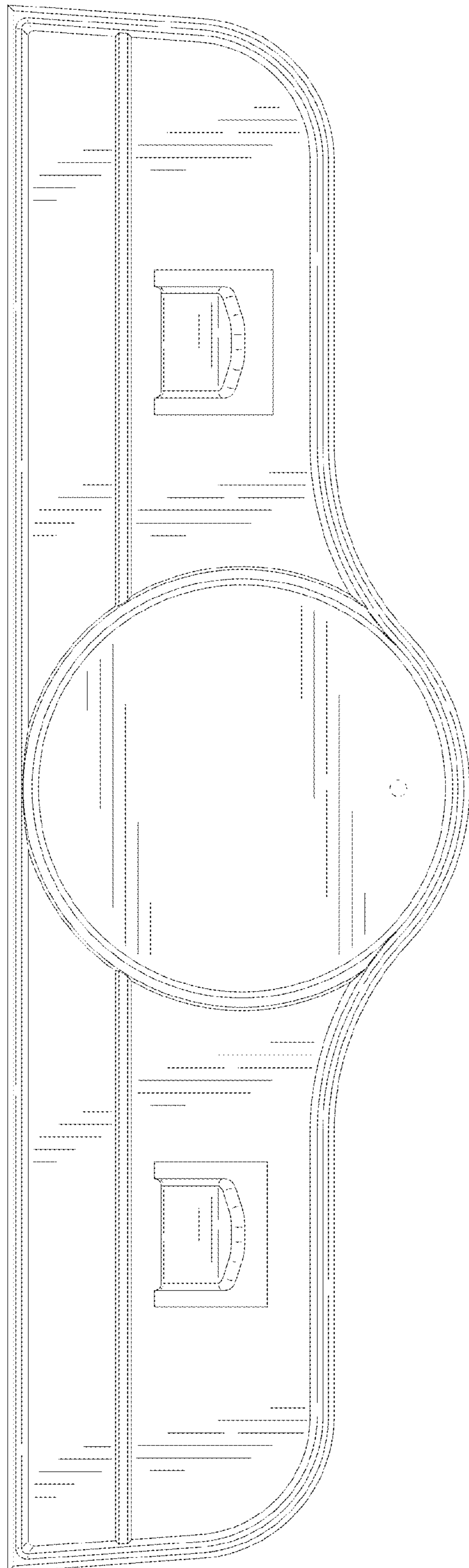


FIG. 8

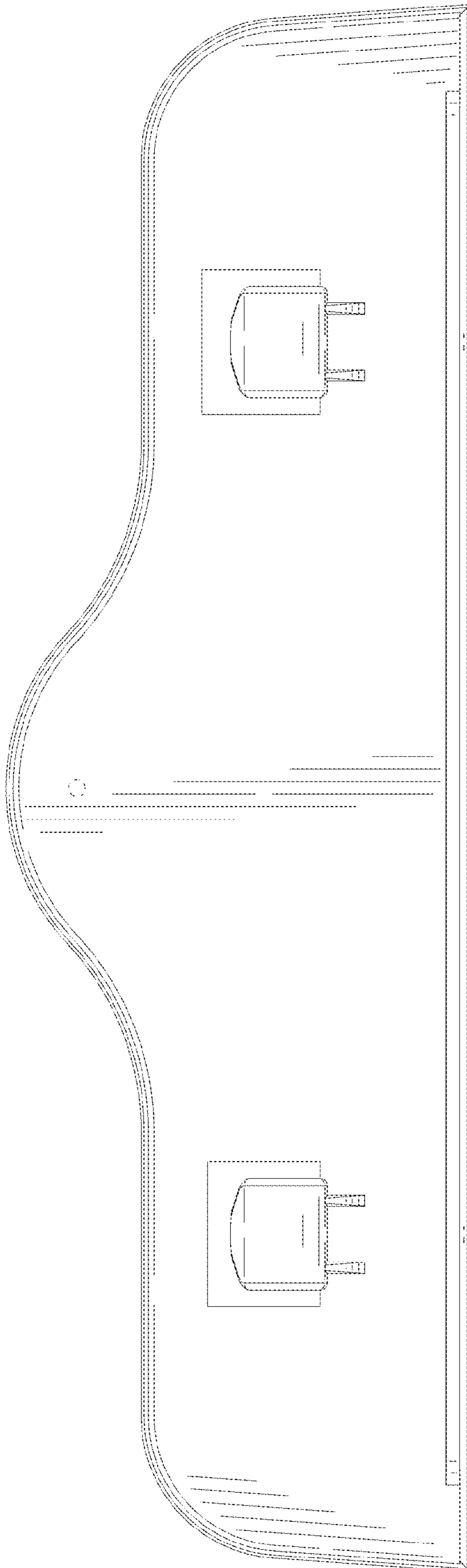


FIG. 9

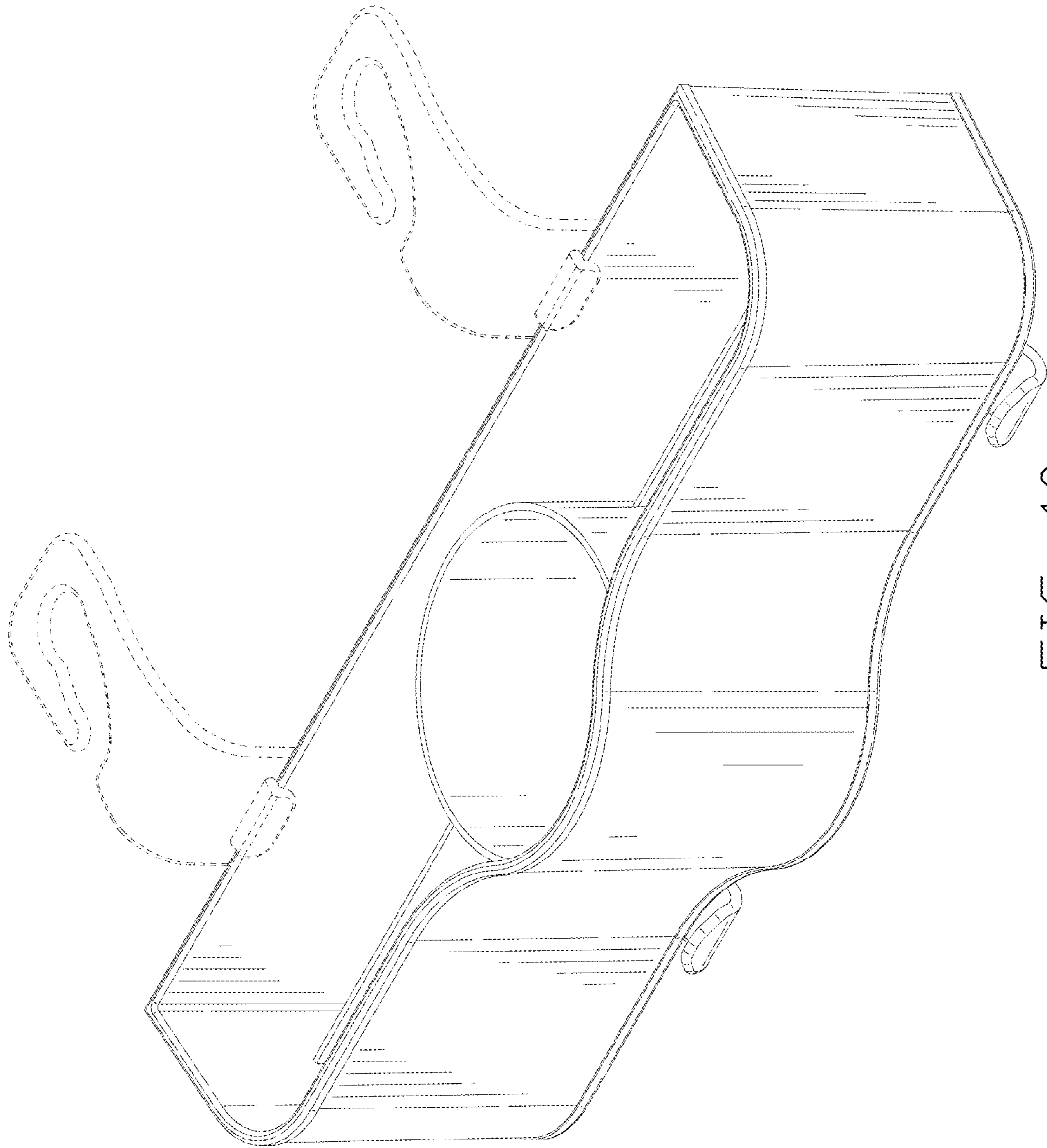


FIG. 10

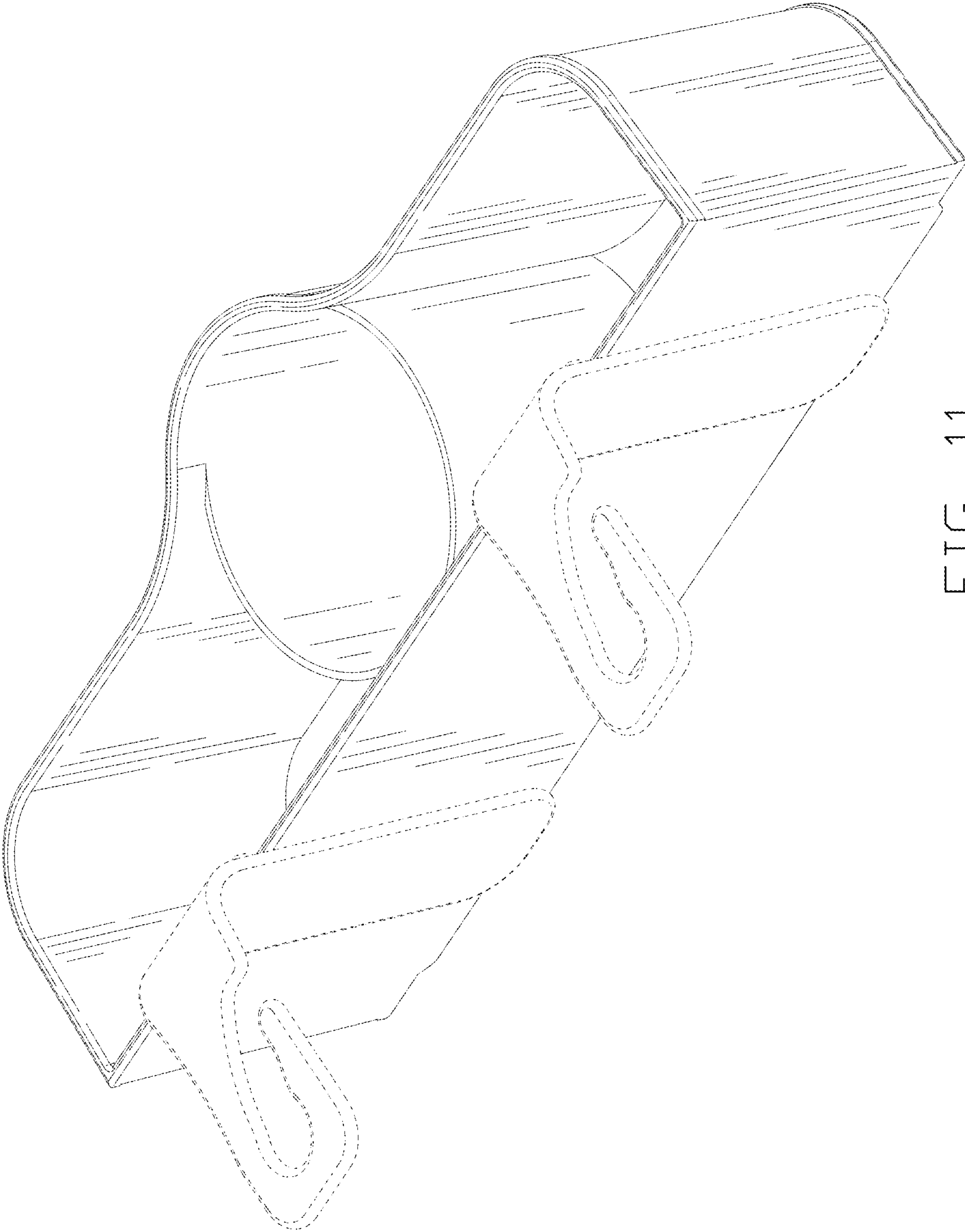


FIG. 11