



US00D959352S

(12) **United States Design Patent** (10) **Patent No.:** **US D959,352 S**  
**Kamsvåg** (45) **Date of Patent:** **\*\* Aug. 2, 2022**

(54) **SHIP** D742,805 S \* 11/2015 Kittilsen ..... D12/318  
D828,278 S \* 9/2018 Mattila ..... D12/300  
(71) Applicant: **Ulstein Design & Solutions AS,** 10,457,354 B2 \* 10/2019 Kamsvåg ..... B63B 39/00  
Ulsteinvik (NO) D920,211 S \* 5/2021 Kamsvåg ..... D12/300  
D946,488 S \* 3/2022 Kamsvåg ..... B63B 39/06  
(72) Inventor: **Øyvind Gjerde Kamsvåg,** Ulsteinvik 2008/0149014 A1 \* 6/2008 Kamsvag ..... B63B 39/06  
(NO) 114/61.27

(73) Assignee: **ULSTEIN DESIGN & SOLUTIONS AS,** Ulsteinvik (NO)

**FOREIGN PATENT DOCUMENTS**

(\*\*) Term: **15 Years**

NO 20191427 1/2020  
NO 20200061 3/2020  
NO 20210078 5/2021

(21) Appl. No.: **35/511,636**

**OTHER PUBLICATIONS**

(22) Filed: **Mar. 18, 2021**

Jrskeide, Olivia o, published via YouTube.com on Aug. 22, 2018. Retrieved from the internet on Apr. 8, 2022 <URL: https://youtu.be/zbNeVx8JMjY?t=47> (Year: 2018).\*

(80) **Hague Agreement Data**

Int. Filing Date: **Mar. 18, 2021**  
Int. Reg. No.: **DM/213327**  
Int. Reg. Date: **Mar. 18, 2021**  
Int. Reg. Pub. Date: **Apr. 2, 2021**

\* cited by examiner

*Primary Examiner* — Joseph Kukella  
(74) *Attorney, Agent, or Firm* — Knobbe, Martens, Olson & Bear, LLP

(51) **LOC (13) Cl.** ..... **12-06**

(52) **U.S. Cl.**  
USPC ..... **D12/300**

(57) **CLAIM**

The ornamental design for a ship, as shown and described.

(58) **Field of Classification Search**  
USPC ..... D12/300, 315, 317, 318  
CPC .. B63B 1/06; B63B 1/063; B63B 1/08; B63B 2241/00; B63B 2241/02; B63B 2241/20  
See application file for complete search history.

**DESCRIPTION**

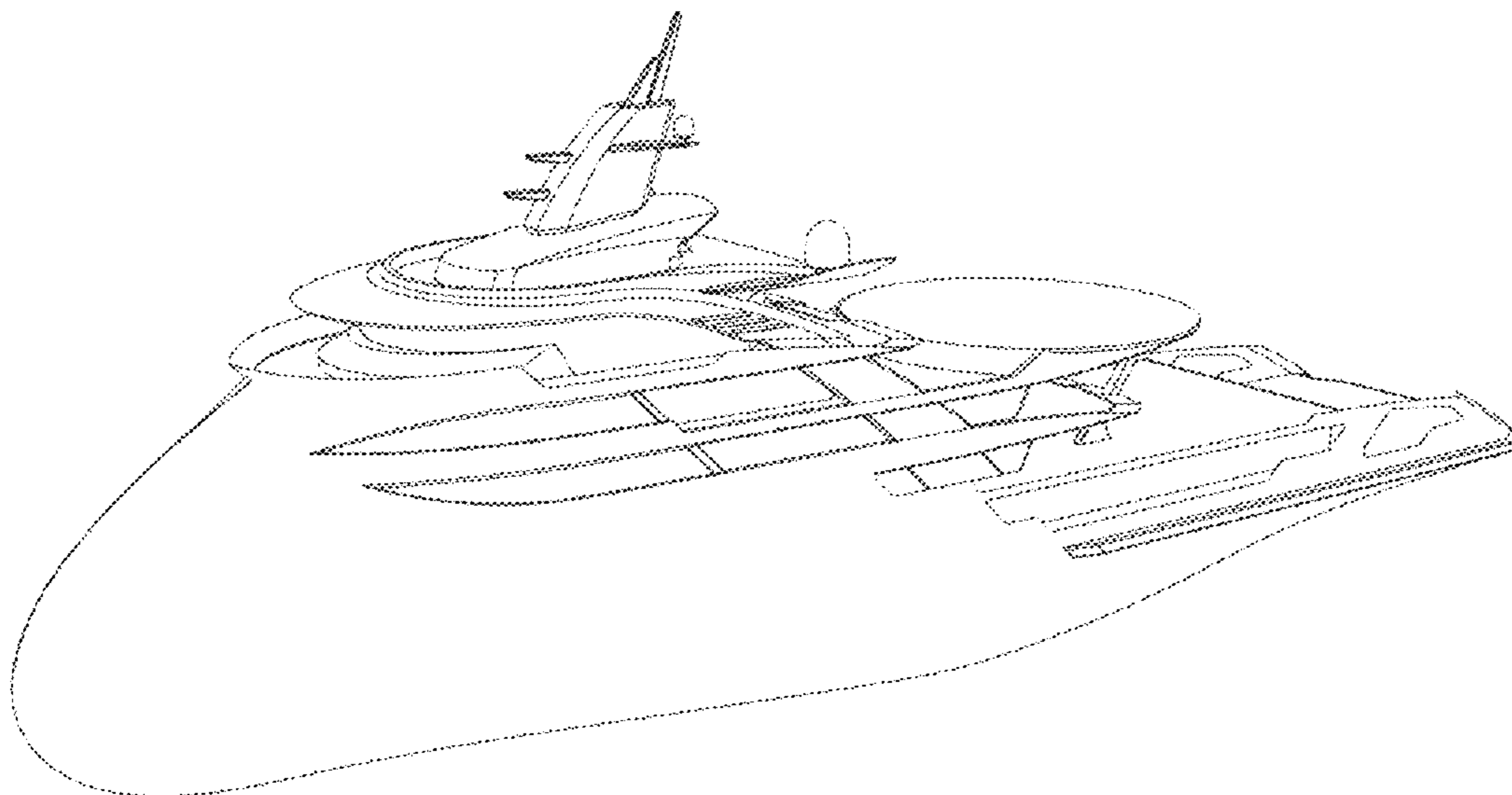
(56) **References Cited**

**U.S. PATENT DOCUMENTS**

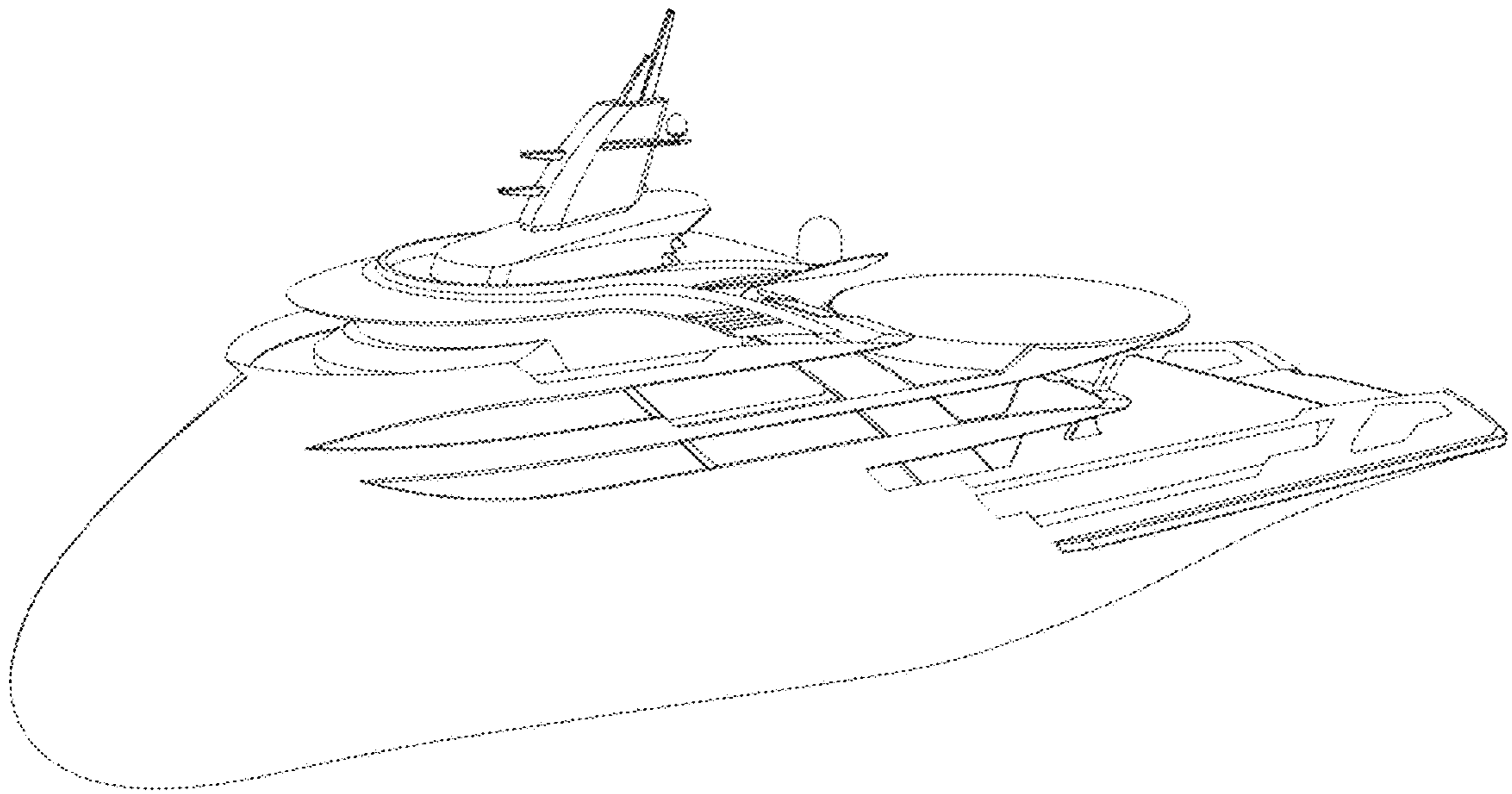
D192,713 S \* 5/1962 Lowrey ..... B63B 39/00  
D12/300  
D555,570 S \* 11/2007 Kamsvag ..... D12/300  
D657,729 S \* 4/2012 Kleven ..... D12/300  
D717,712 S \* 11/2014 Teige ..... D12/300  
D738,284 S \* 9/2015 Okuyama ..... D12/300  
D742,803 S \* 11/2015 Kamsvåg ..... D12/317

- 1. Ship
- 1.1 : Perspective
- 1.2 : Left
- 1.3 : Right
- 1.4 : Front
- 1.5 : Back
- 1.6 : Top
- 1.7 : Perspective
- 1.8 : Perspective
- 1.9 : Perspective

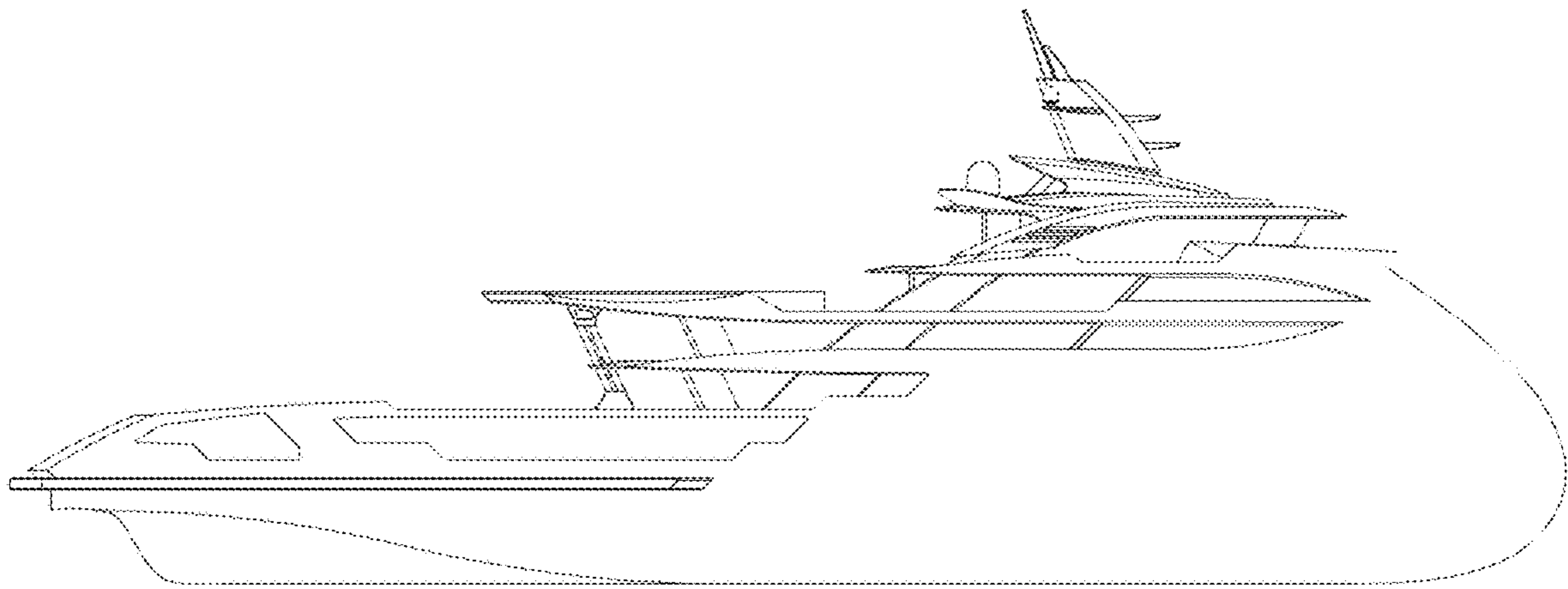
**1 Claim, 9 Drawing Sheets**



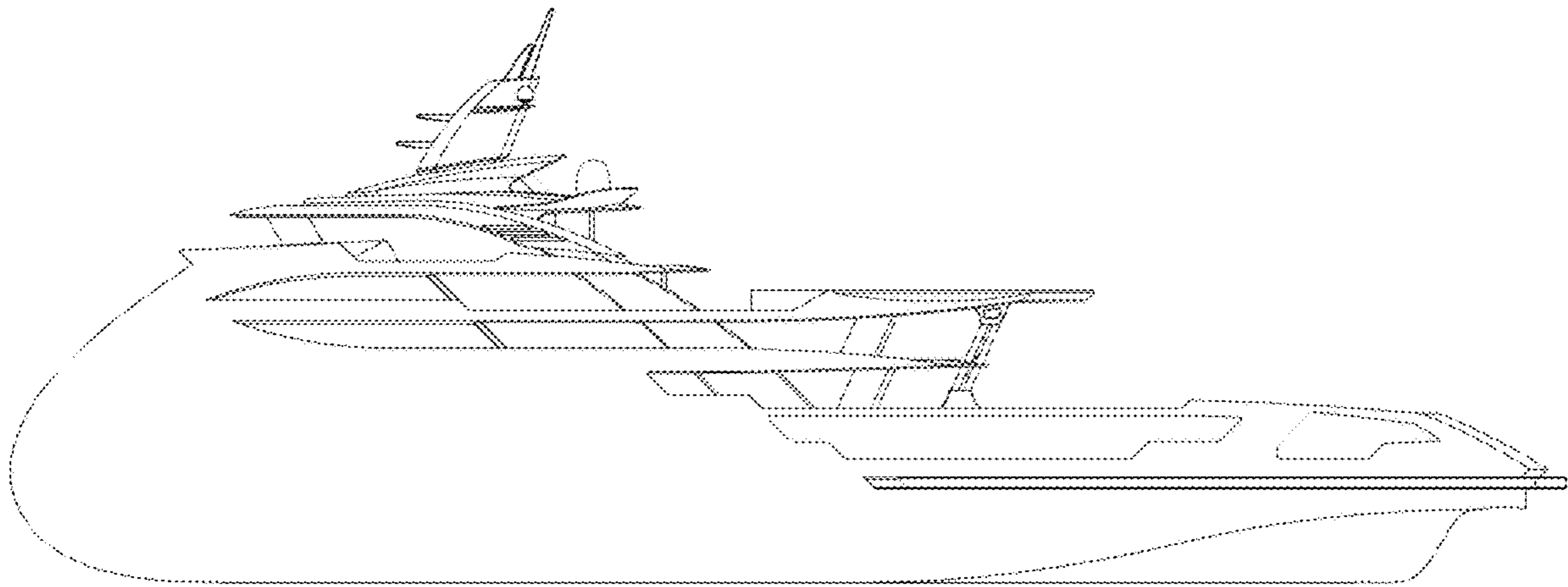
1.1



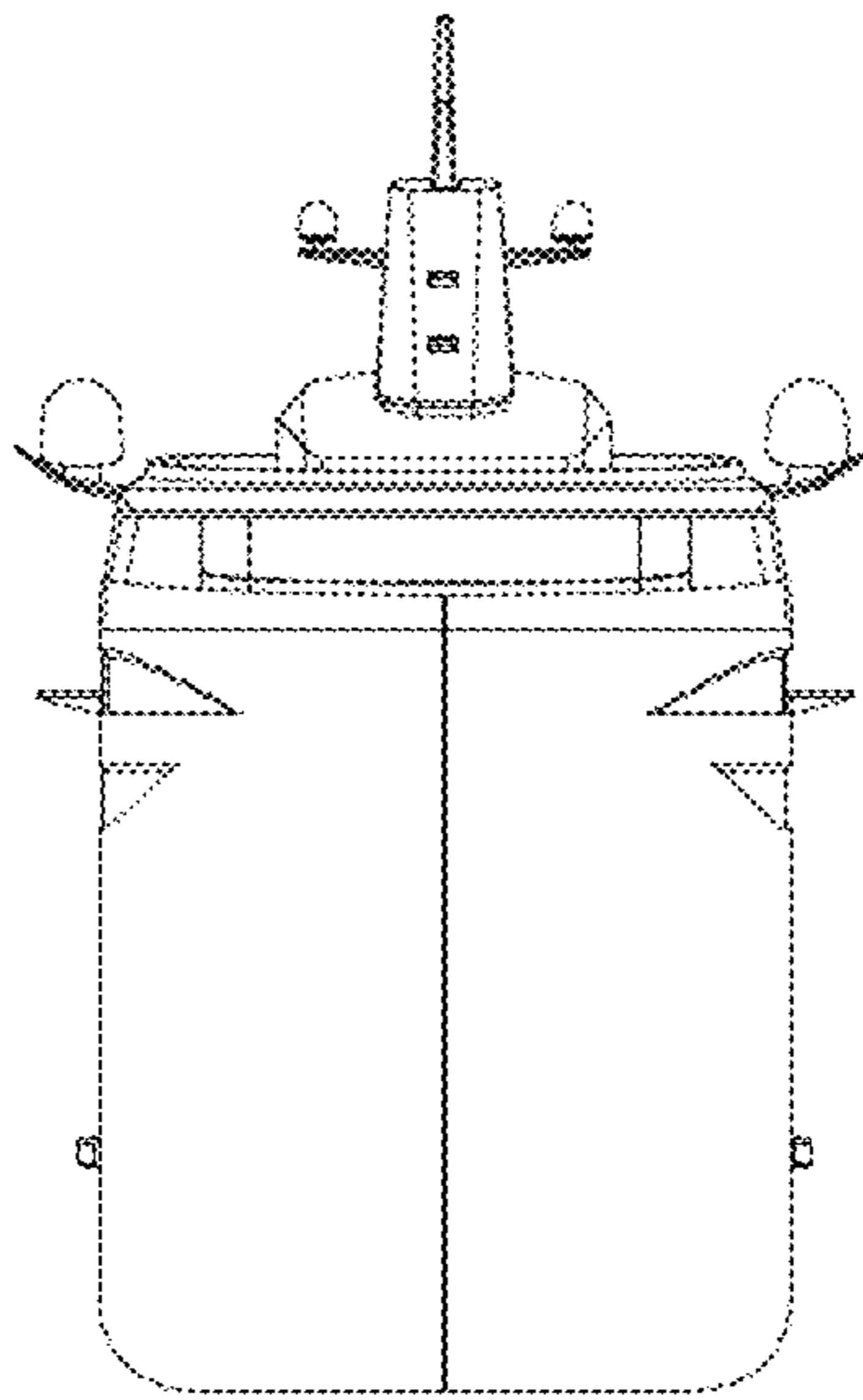
1.2



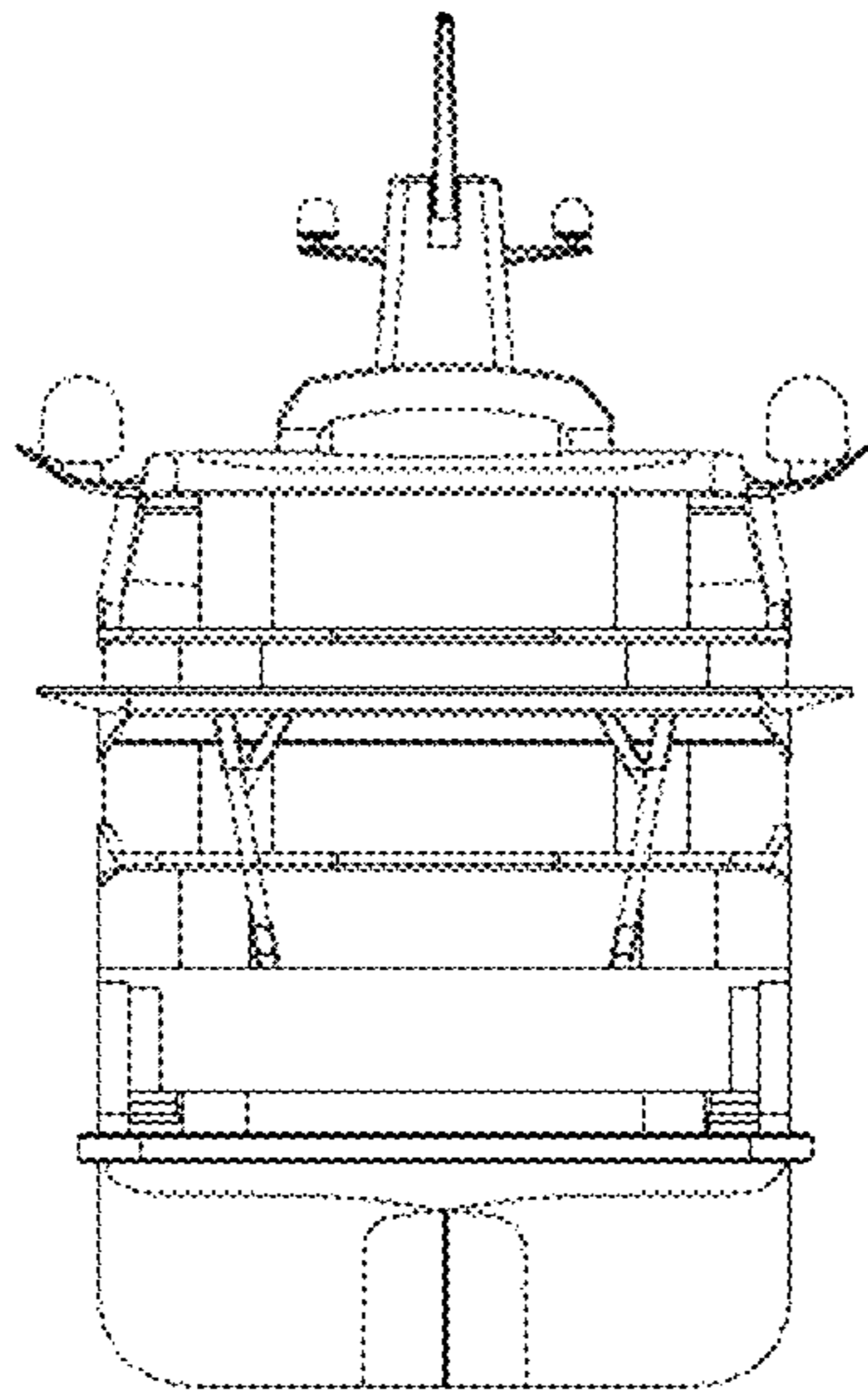
1.3



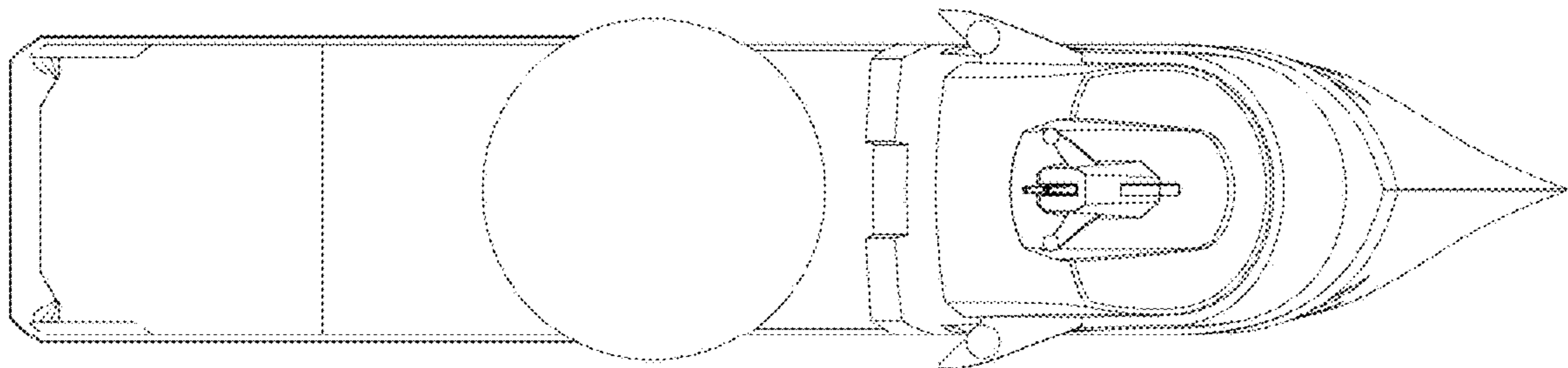
1.4



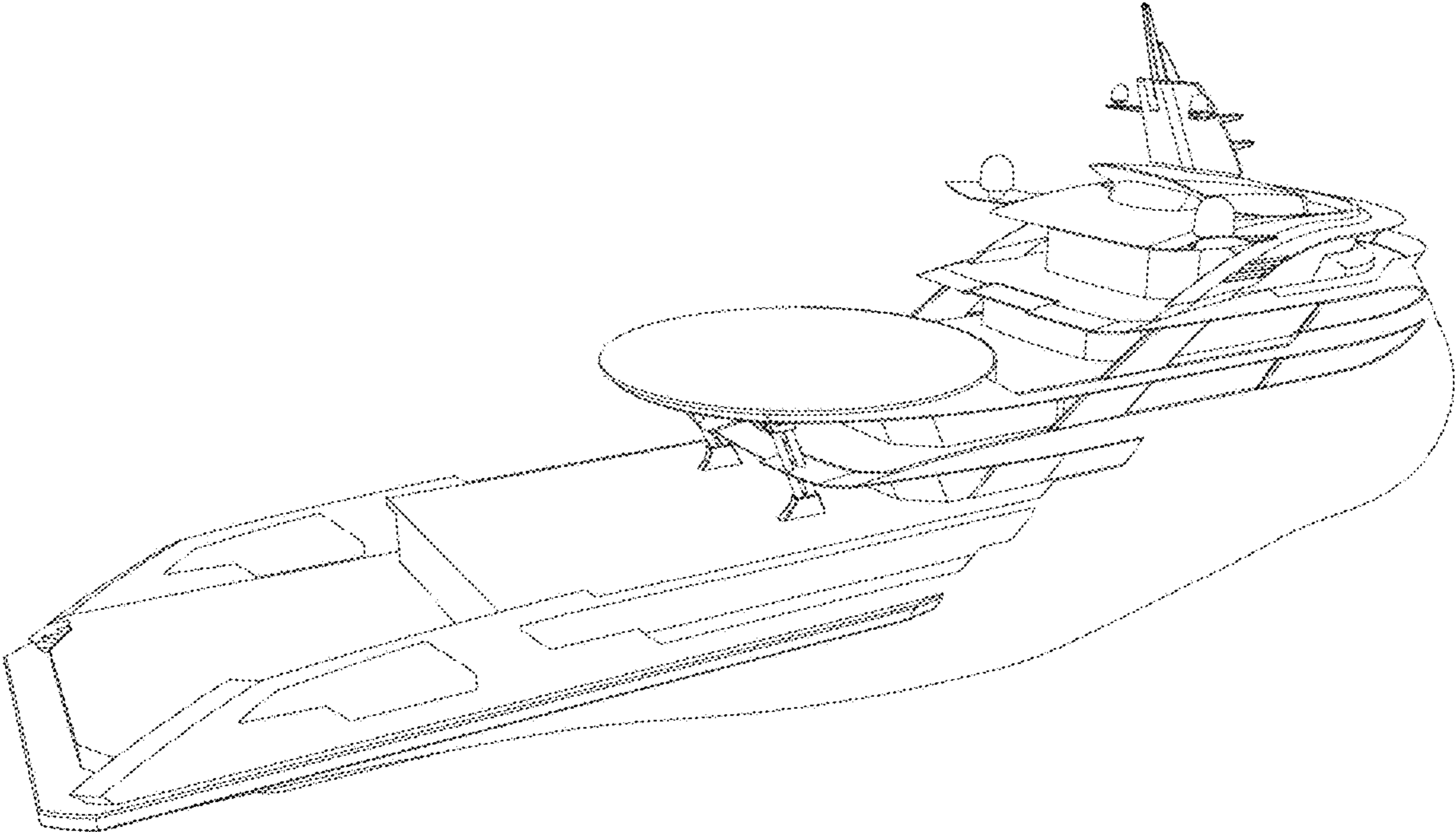
1.5



1.6

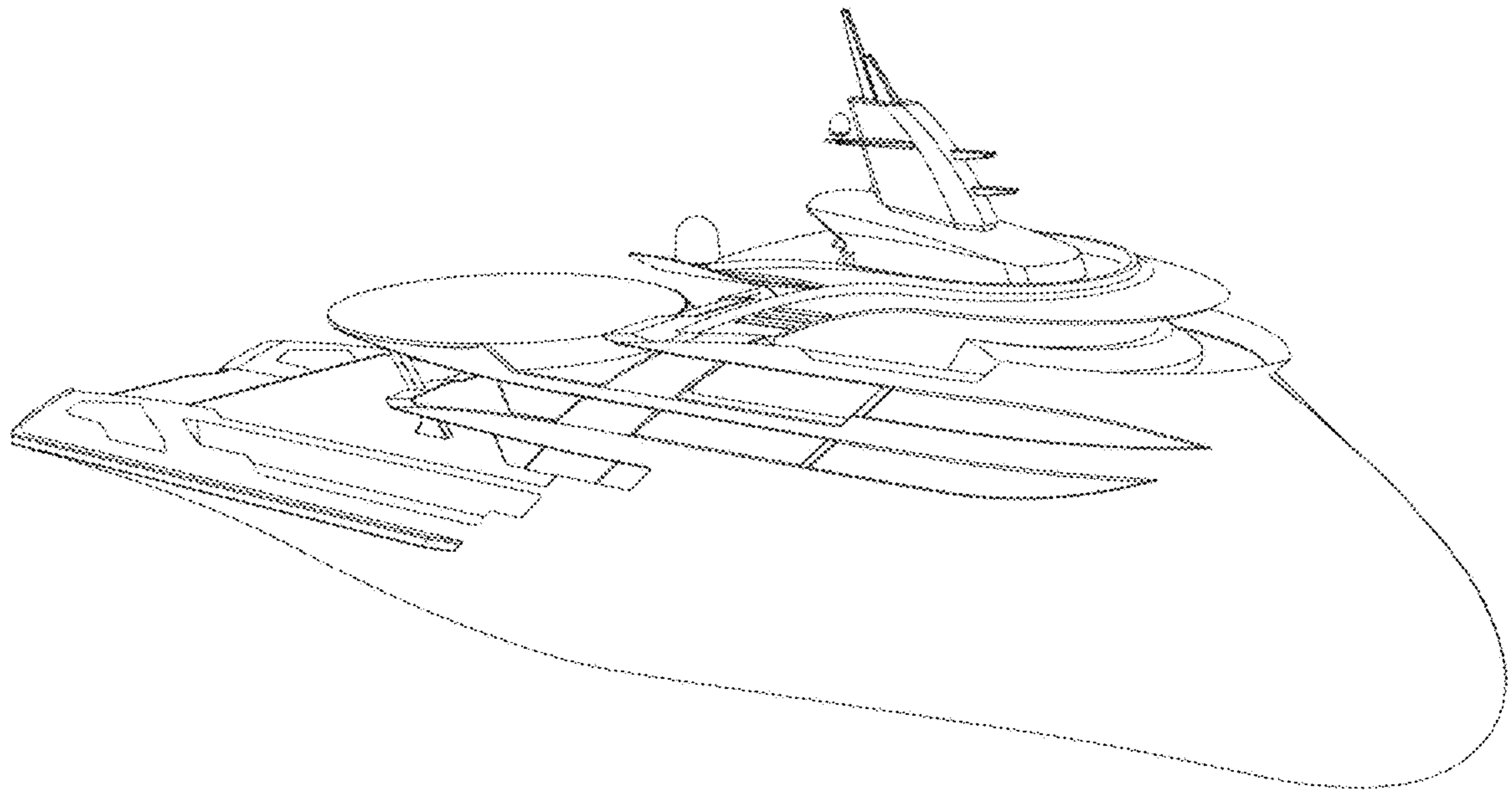


1.7





1.8



1.9

