



US00D959351S

(12) **United States Design Patent**
McMath

(10) **Patent No.:** **US D959,351 S**

(45) **Date of Patent:** **** Aug. 2, 2022**

(54) **PAIR OF LIGHT BAR BRACKETS**

(71) Applicant: **Robert Roy McMath**, Riverside, CA
(US)

(72) Inventor: **Robert Roy McMath**, Riverside, CA
(US)

(73) Assignee: **DV8, LLC**, Riverside, CA (US)

(**) Term: **15 Years**

(21) Appl. No.: **29/645,260**

(22) Filed: **Apr. 24, 2018**

(51) **LOC (13) Cl.** **12-16**

(52) **U.S. Cl.**
USPC **D12/223**

(58) **Field of Classification Search**
USPC D12/91, 222, 223, 400; D10/114.4;
D8/349, 354; D26/138
CPC F21V 21/005; F21V 21/30; B60Q 1/0483;
B60Q 1/18; B60Q 2900/10
See application file for complete search history.

(56) **References Cited**

U.S. PATENT DOCUMENTS

3,920,167	A *	11/1975	Parsons	B60R 9/058 224/331
4,707,014	A *	11/1987	Rich	B60Q 1/05 296/180.1
D305,529	S *	1/1990	Milby	D12/222
D310,793	S *	9/1990	Castagna	D10/114.3
5,018,779	A *	5/1991	Lund	B62D 35/001 296/180.1
D317,428	S *	6/1991	Carr	D10/114.1
D347,902	S *	6/1994	Stutts	D12/222
D359,225	S *	6/1995	Reed	D26/138
D401,186	S *	11/1998	Abbott	D12/91
D410,429	S *	6/1999	Derecktor	D12/406
D565,466	S *	4/2008	Moushegian	D12/91
D568,792	S *	5/2008	Moushegian	D12/91

D573,507	S *	7/2008	Moushegian	D12/91
D621,328	S *	8/2010	Sistare	D12/222
D652,365	S *	1/2012	Lindloff	D12/411
D710,255	S *	8/2014	Koehl	D12/91
D763,170	S *	8/2016	Marankie	D12/414
D784,114	S *	4/2017	Rago	D8/354
D784,115	S *	4/2017	Rago	D8/354
D785,504	S *	5/2017	Higgs	D12/91
D787,916	S *	5/2017	Yuan	D8/354
D791,058	S *	7/2017	Laatz	D12/223
D796,938	S *	9/2017	Rago	D8/354
D803,140	S *	11/2017	Brown	D12/400
D827,495	S *	9/2018	Piscitelli	D12/91
D827,496	S *	9/2018	Badstuebner	D12/91
D828,223	S *	9/2018	Piscitelli	D12/91

(Continued)

Primary Examiner — Sheryl Lane

Assistant Examiner — Ieisha N Price

(74) *Attorney, Agent, or Firm* — Honigman LLP

(57) **CLAIM**

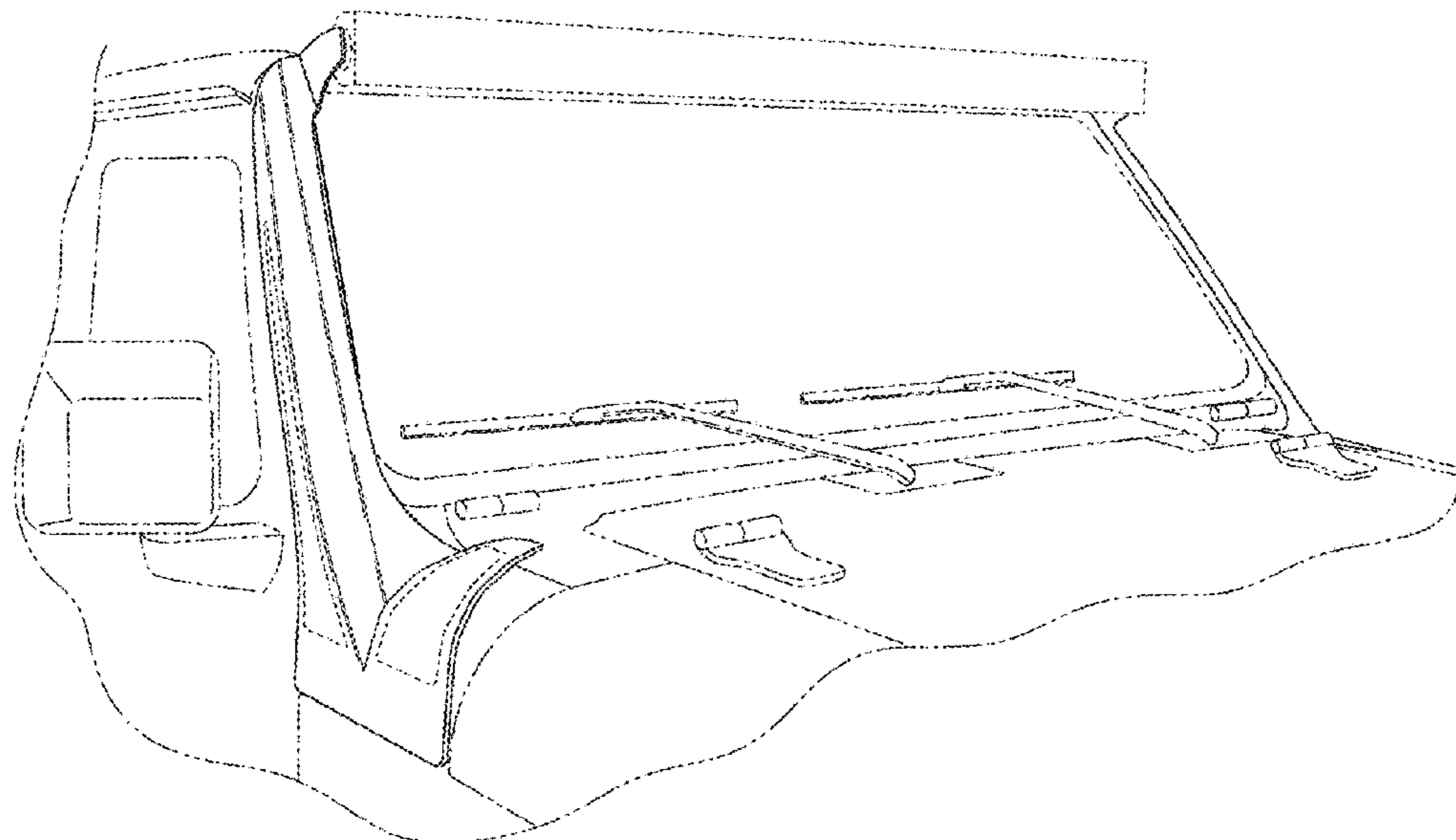
The ornamental design for a pair of light bar brackets, as shown and described.

DESCRIPTION

FIG. 1 is a front perspective view of the pair of light bar brackets shown in use condition showing my new design; FIG. 2 is a front side elevation view thereof; FIG. 3 is a rear side elevation view thereof; FIG. 4 is a left side elevation view thereof; FIG. 5 is a right side elevation view thereof; FIG. 6 is a top plan view thereof; and, FIG. 7 is a bottom plan view thereof.

The dot-dot-dash broken lines shown in the vehicle body depicted in FIG. 1 illustrate vehicle environmental subject matter which forms no part of the claimed design. The evenly spaced broken lines in the drawings illustrate portions of the pair of light bar brackets and form no part of the claimed design.

1 Claim, 4 Drawing Sheets



(56)

References Cited

U.S. PATENT DOCUMENTS

D837,036	S *	1/2019	Jackson	D8/354
D838,394	S *	1/2019	Bennett	D26/35
D841,558	S *	2/2019	Mosingo	D12/222
D845,869	S *	4/2019	Wymore	D12/222
D860,864	S *	9/2019	Goodrich	D12/91
D860,866	S *	9/2019	Goodrich	D12/91
D860,867	S *	9/2019	Goodrich	D12/91
D872,562	S *	1/2020	He	D8/354
D887,899	S *	6/2020	Langhals	D12/91
D888,647	S *	6/2020	Stoneburner	D12/406
10,829,055	B2 *	11/2020	Badillo	B60R 9/06
2007/0132263	A1 *	6/2007	Smith	B60R 9/00 296/37.6
2008/0019141	A1 *	1/2008	Helms	B60Q 1/24 362/544
2009/0161377	A1 *	6/2009	Helms	F21V 29/74 362/493
2017/0120805	A1 *	5/2017	Marchese	B60Q 1/24
2018/0072244	A1 *	3/2018	Wymore	B60R 21/13
2018/0118091	A1 *	5/2018	Wymore	B60Q 1/0483
2018/0229646	A1 *	8/2018	Van Buren	F21V 21/30
2020/0130564	A1 *	4/2020	Gutierrez	F21S 41/55

* cited by examiner

Fig. 1

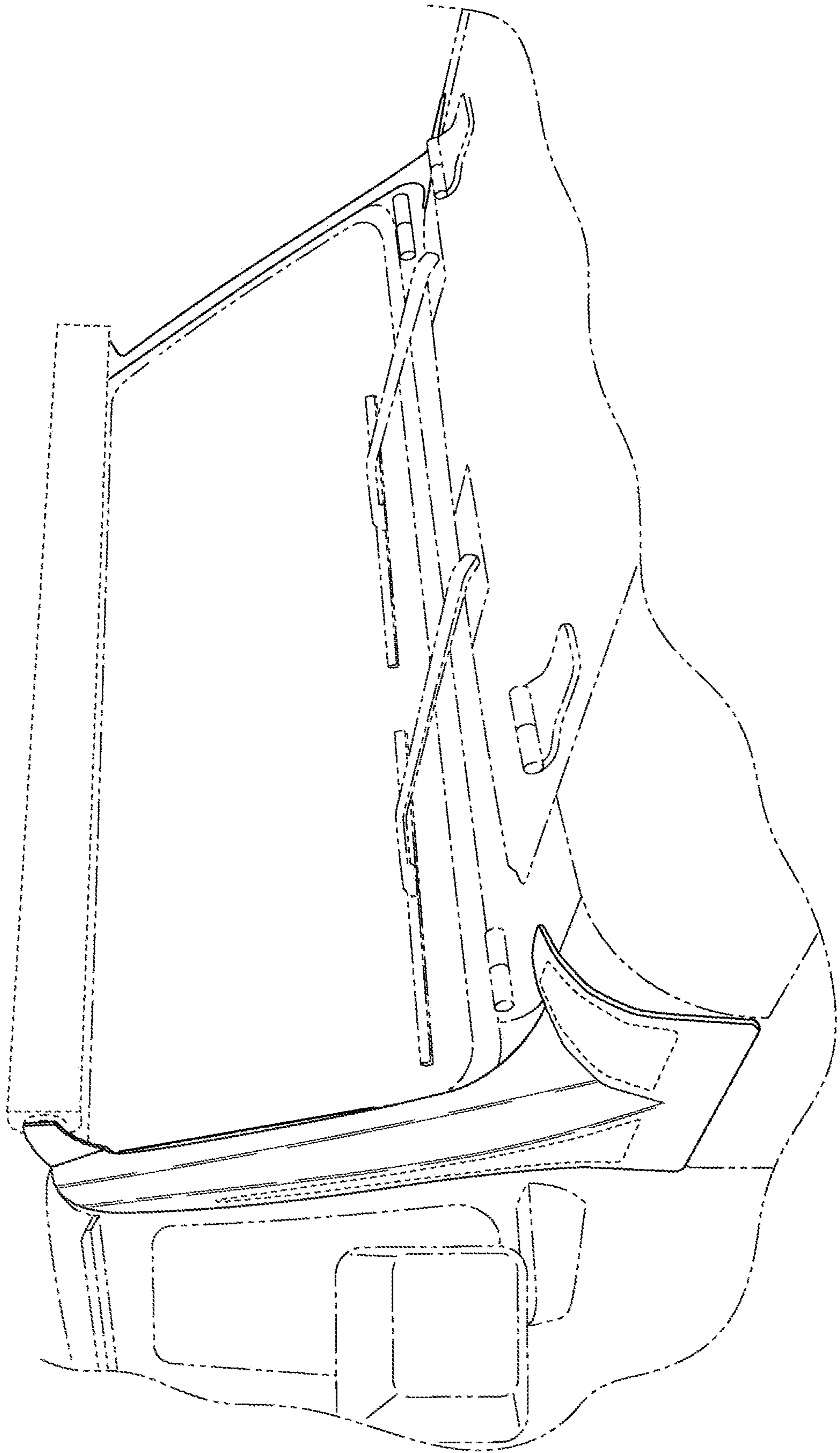


Fig. 2



Fig. 3



Fig. 4

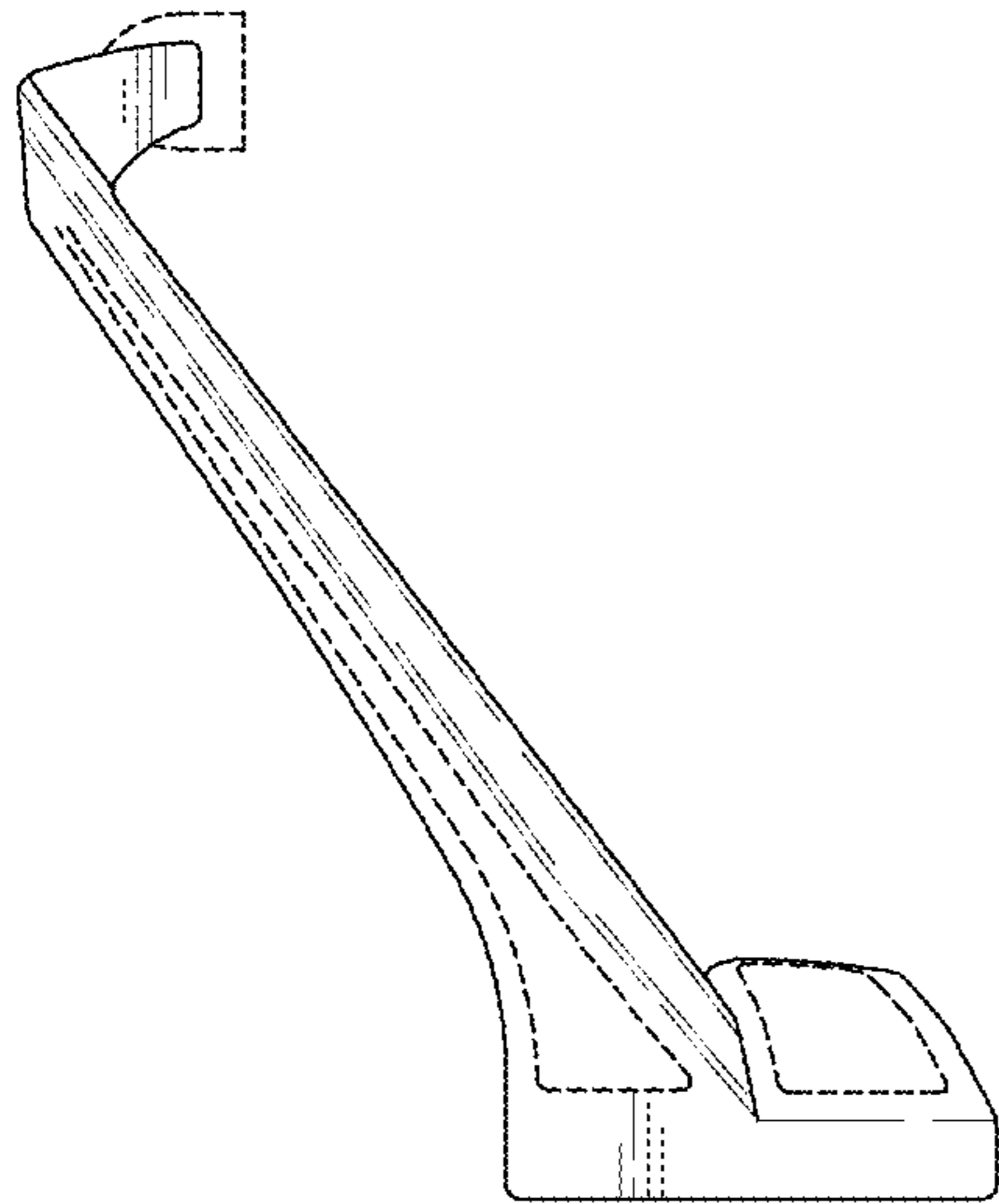


Fig. 5

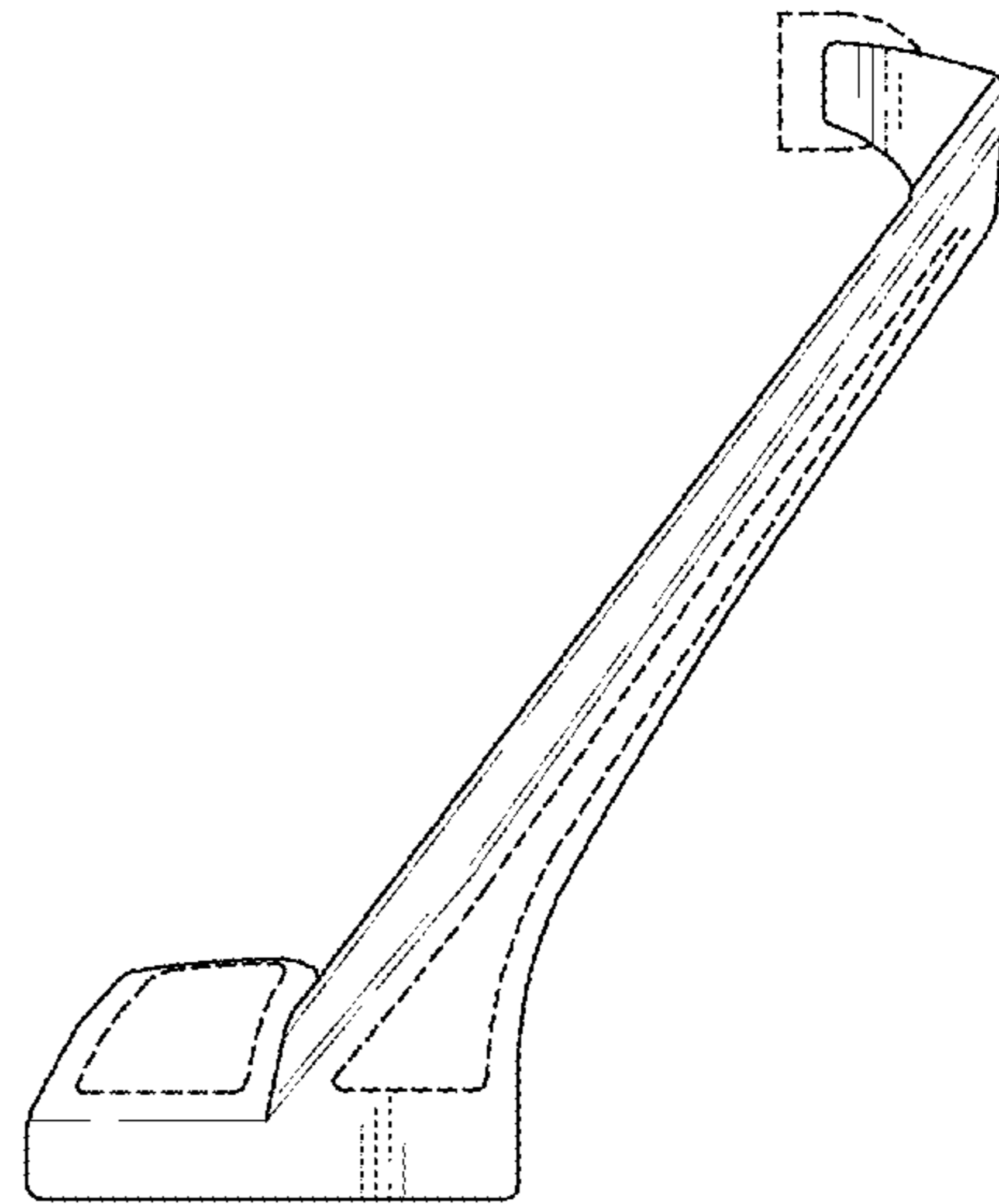


Fig. 6



Fig. 7

