



US00D959350S

(12) **United States Design Patent** (10) **Patent No.:** **US D959,350 S**
Lu (45) **Date of Patent:** **** Aug. 2, 2022**

(54) **X CHOCK WHEEL STABILIZER**

OTHER PUBLICATIONS

(71) Applicant: **Changyuan Lu, Zhaoqing (CN)**

Amazon.com, Mahler gates x-shaped chock wheel stabilizer, Oct. 2020, online product page, retrieved Feb. 11, 2020 from <URL:https://www.amazon.com/dp/B08M5R9FGN> (Year: 2020).*

(72) Inventor: **Changyuan Lu, Zhaoqing (CN)**

Amazon.com, Xprite wheel stabilizer, Nov. 2020, online product page, retrieved Feb. 11, 2022 from <URL:https://www.amazon.com/dp/B08MRXTPWJ/> (Year: 2020).*

(**) Term: **15 Years**

https://www.amazon.com/dp/B08M5R9FGN; Oct. 29, 2020.
https://www.amazon.com/dp/B08MRXTPWJ; Nov. 5, 2020.

(21) Appl. No.: **29/795,964**

* cited by examiner

(22) Filed: **Jun. 22, 2021**

(51) **LOC (13) Cl.** **12-16**

Primary Examiner — Calvin E Vansant

(52) **U.S. Cl.**

(74) *Attorney, Agent, or Firm* — Rumit Ranjit Kanakia

USPC **D12/217**

(58) **Field of Classification Search**

(57) **CLAIM**

USPC D12/217; D8/830
See application file for complete search history.

I claim the ornamental design for a X chock wheel stabilizer, as shown and described.

(56) **References Cited**

DESCRIPTION

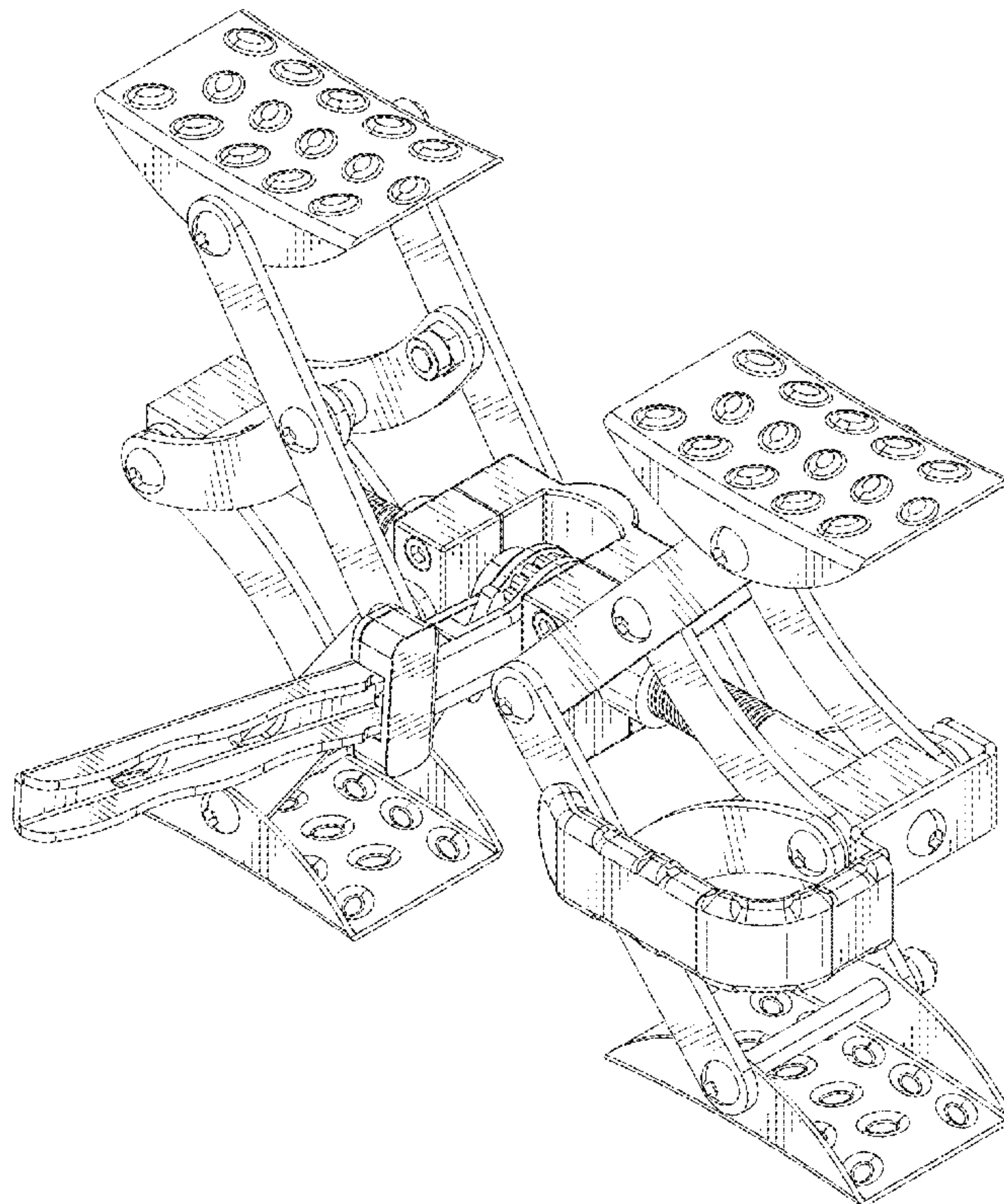
U.S. PATENT DOCUMENTS

D268,409 S	3/1983	Moussette	
D541,626 S	5/2007	Mechalchuk et al.	
D658,968 S	5/2012	Wyers	
8,365,875 B2 *	2/2013	Garceau B60T 1/04 254/122
8,499,899 B2 *	8/2013	Scott B60T 3/00 188/4 R
9,610,924 B1 *	4/2017	Searer B60T 3/00
D853,937 S	7/2019	Hubley	
D873,196 S	1/2020	Harrington	
D906,623 S	12/2020	Liang	
2010/0140026 A1 *	6/2010	Garceau B60P 3/077 188/69
2021/0362694 A1 *	11/2021	Lu B60T 3/00

FIG. 1 is a perspective view of a X chock wheel stabilizer showing my new design;
FIG. 2 is a back view thereof;
FIG. 3 is a front view thereof;
FIG. 4 is a left-side view thereof;
FIG. 5 is a right-side view thereof;
FIG. 6 is a top view thereof; and,
FIG. 7 is a bottom view thereof.

The broken lines in the drawings depict portions of the X chock wheel stabilizer that form no part of the claimed design.

1 Claim, 7 Drawing Sheets



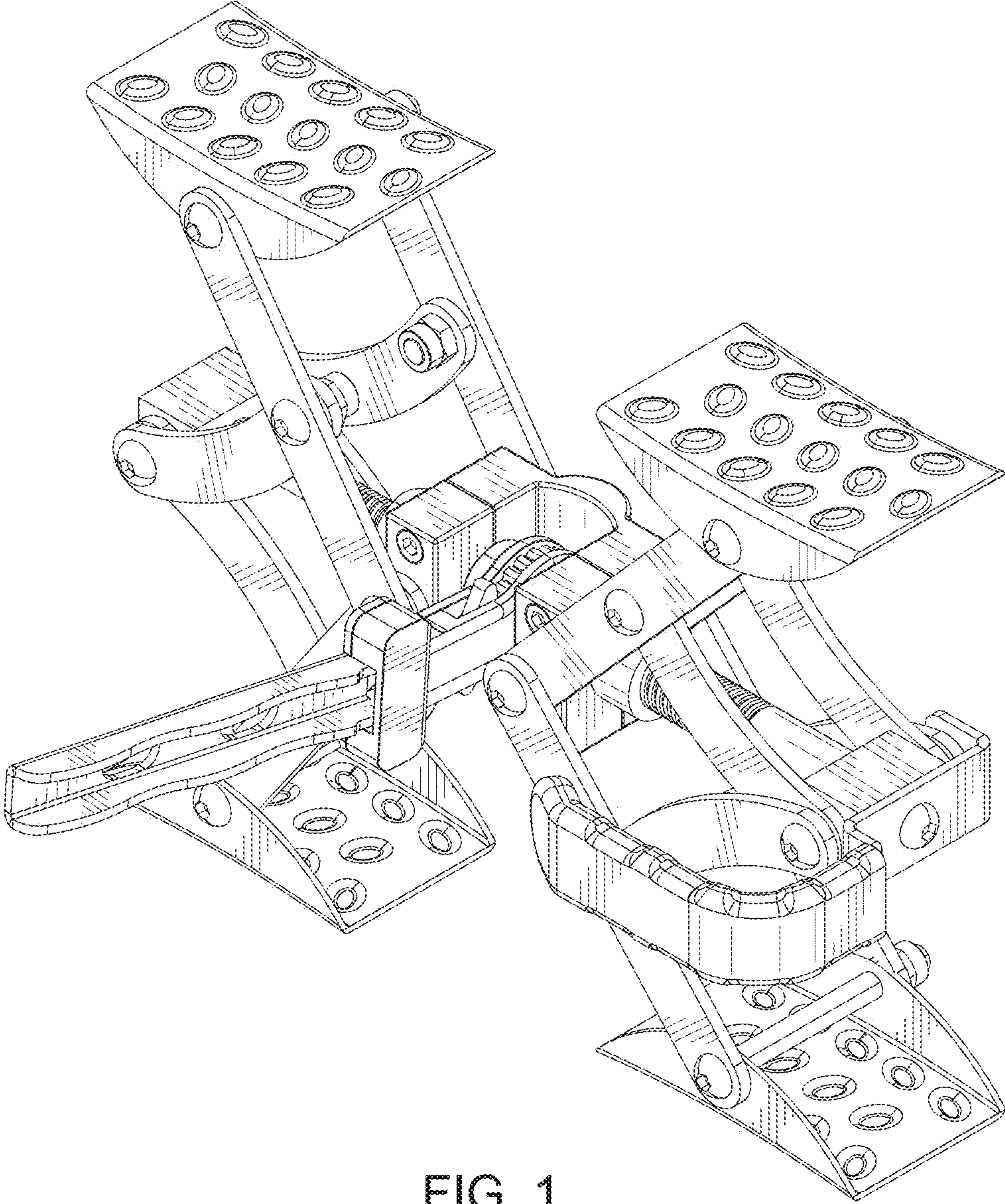


FIG. 1

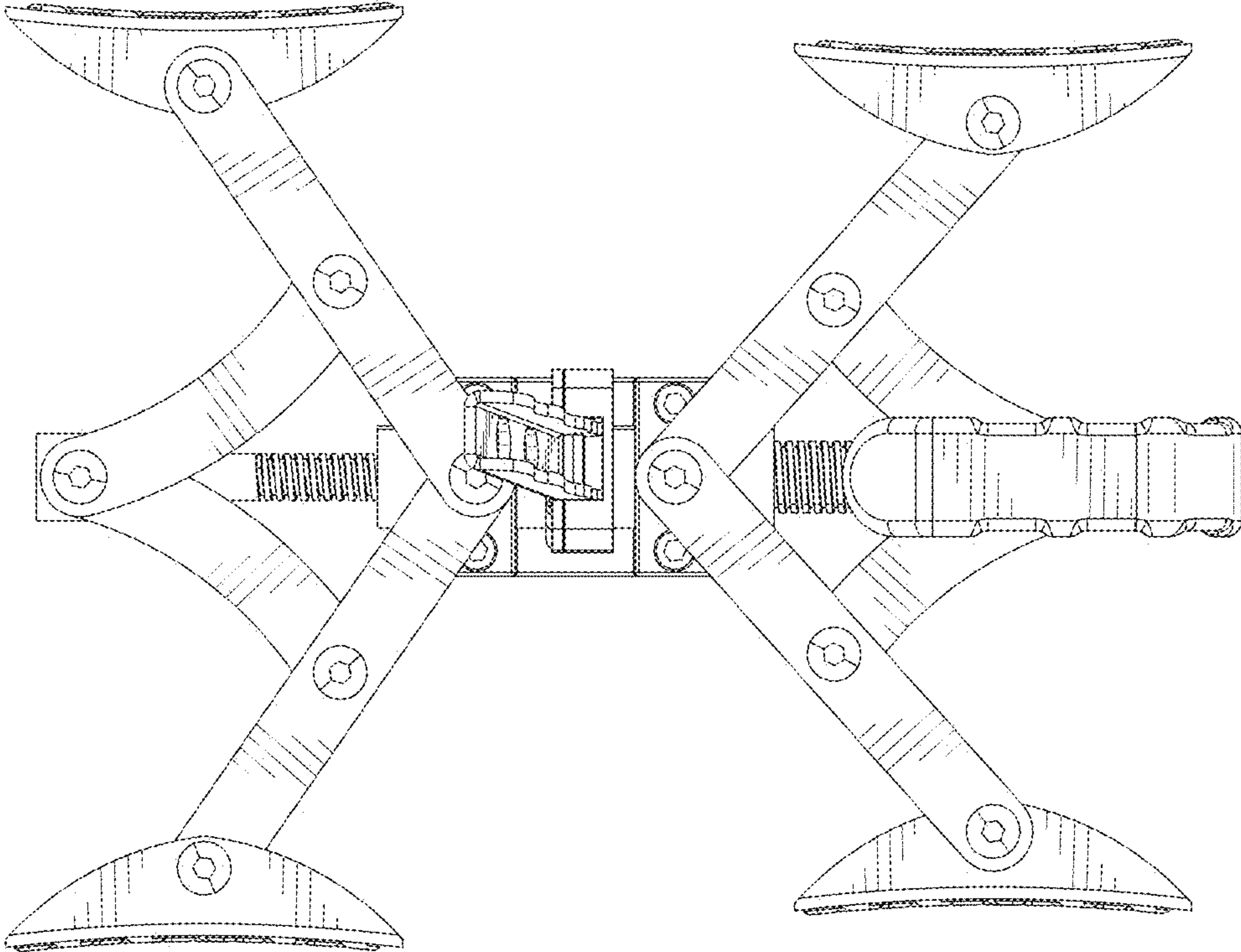


FIG. 2

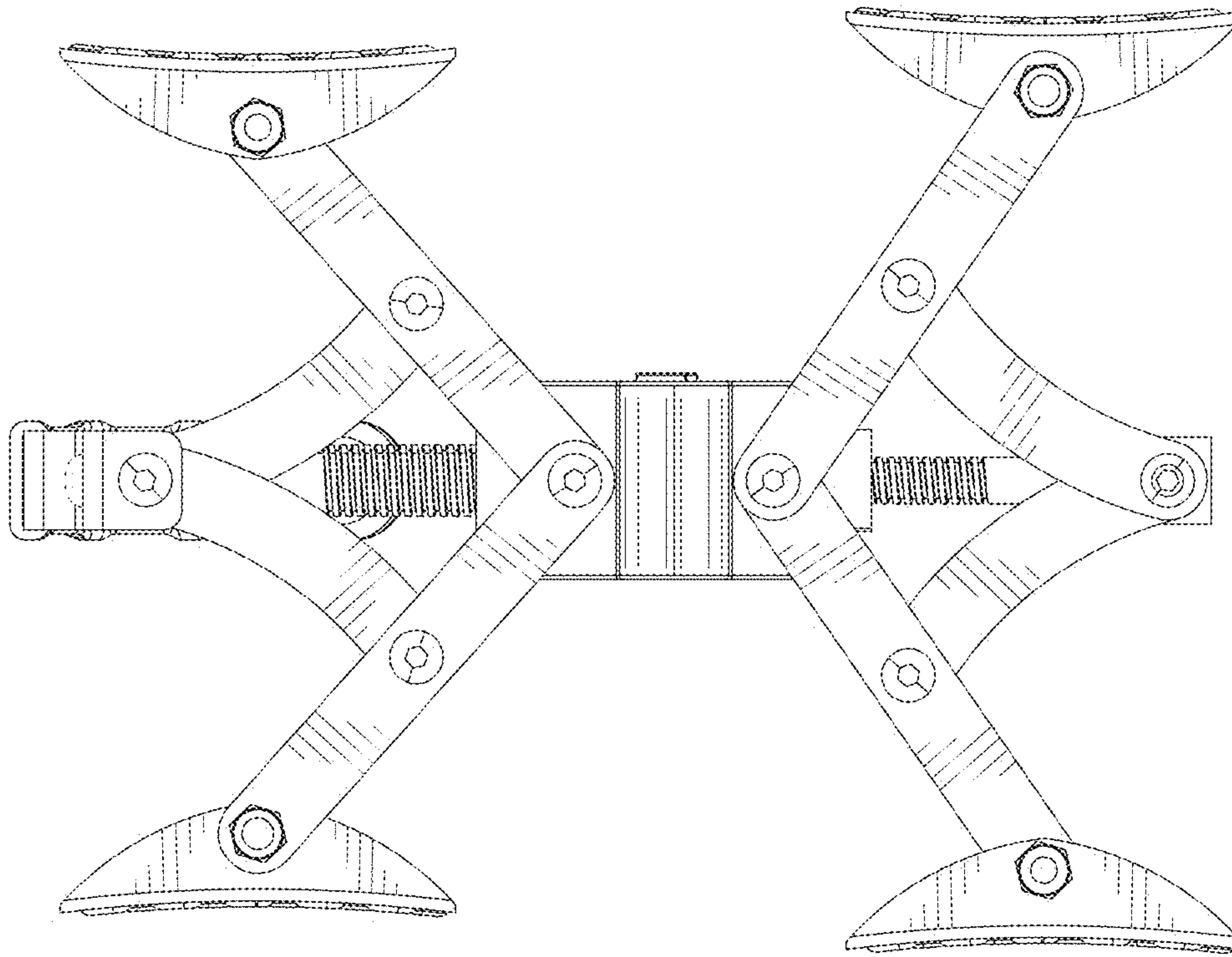


FIG. 3

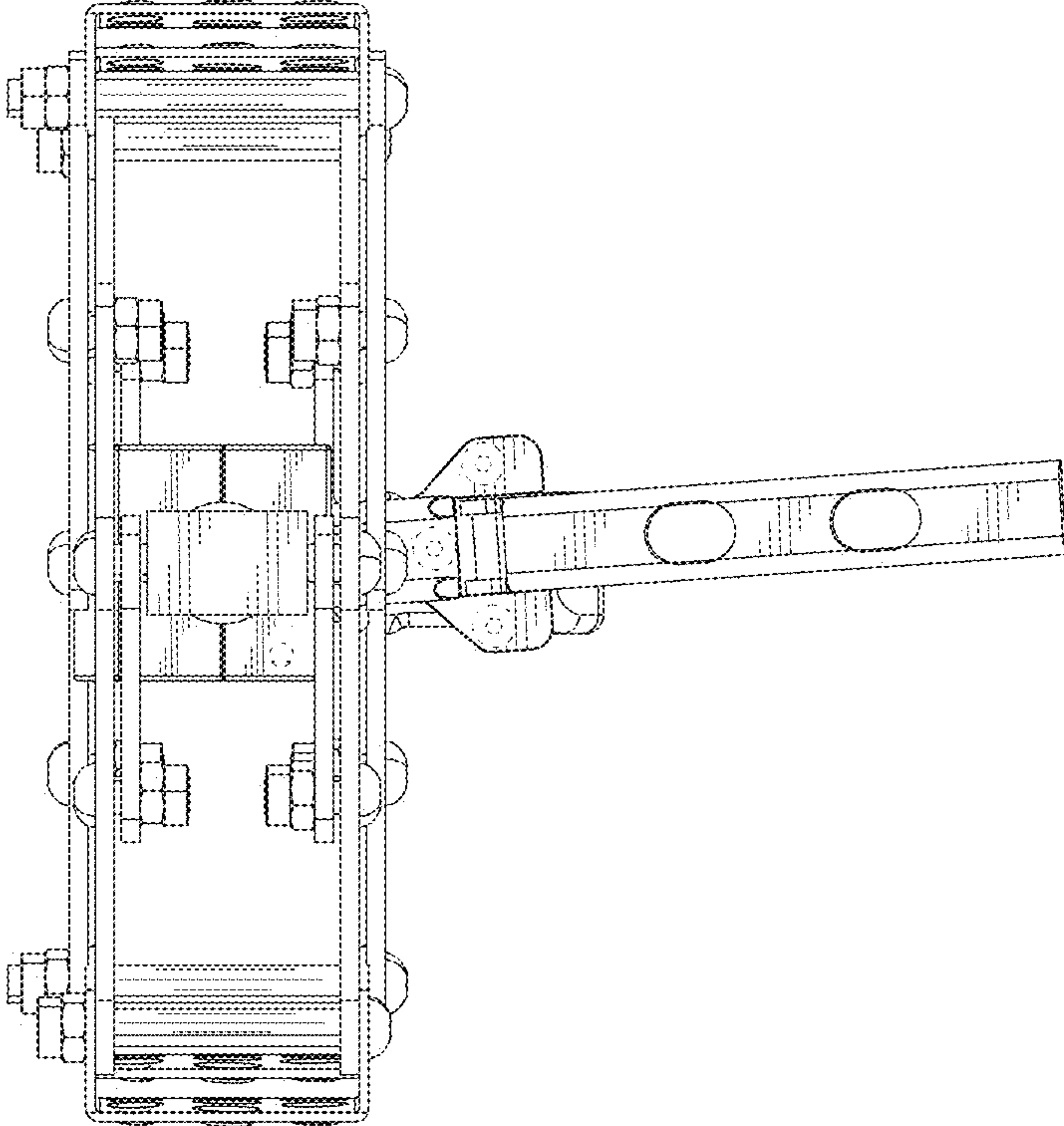


FIG. 4

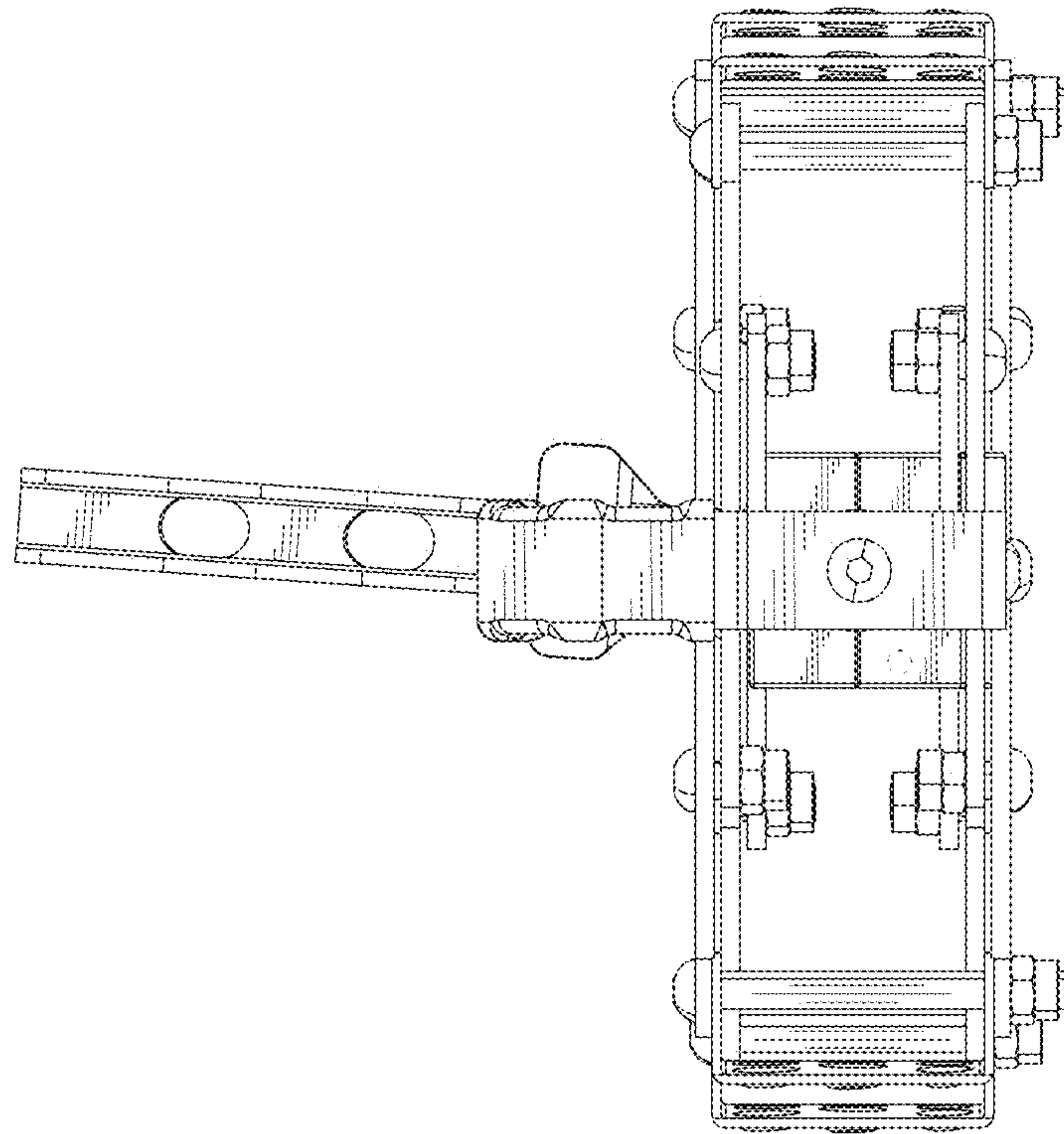


FIG. 5

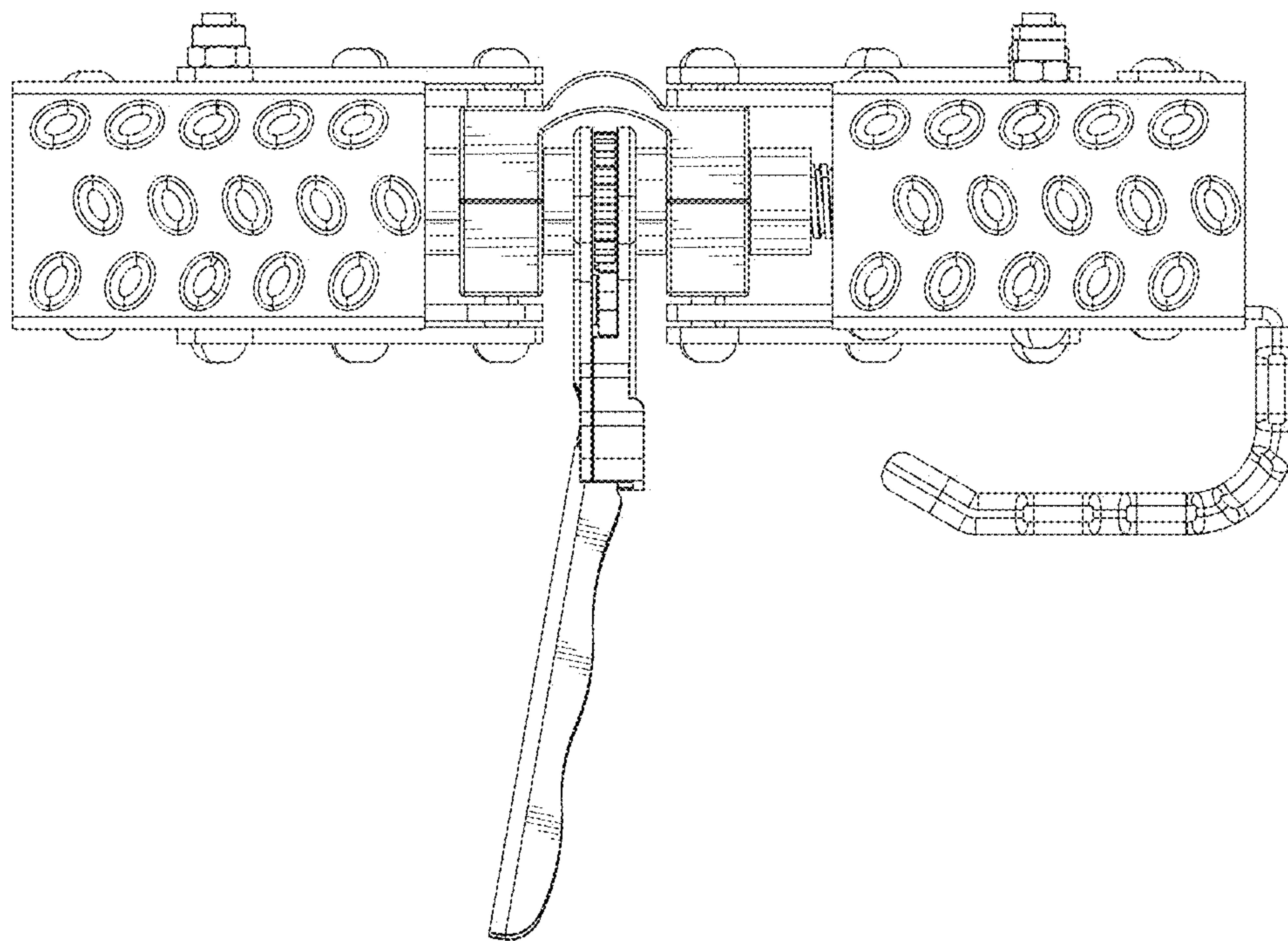


FIG. 6

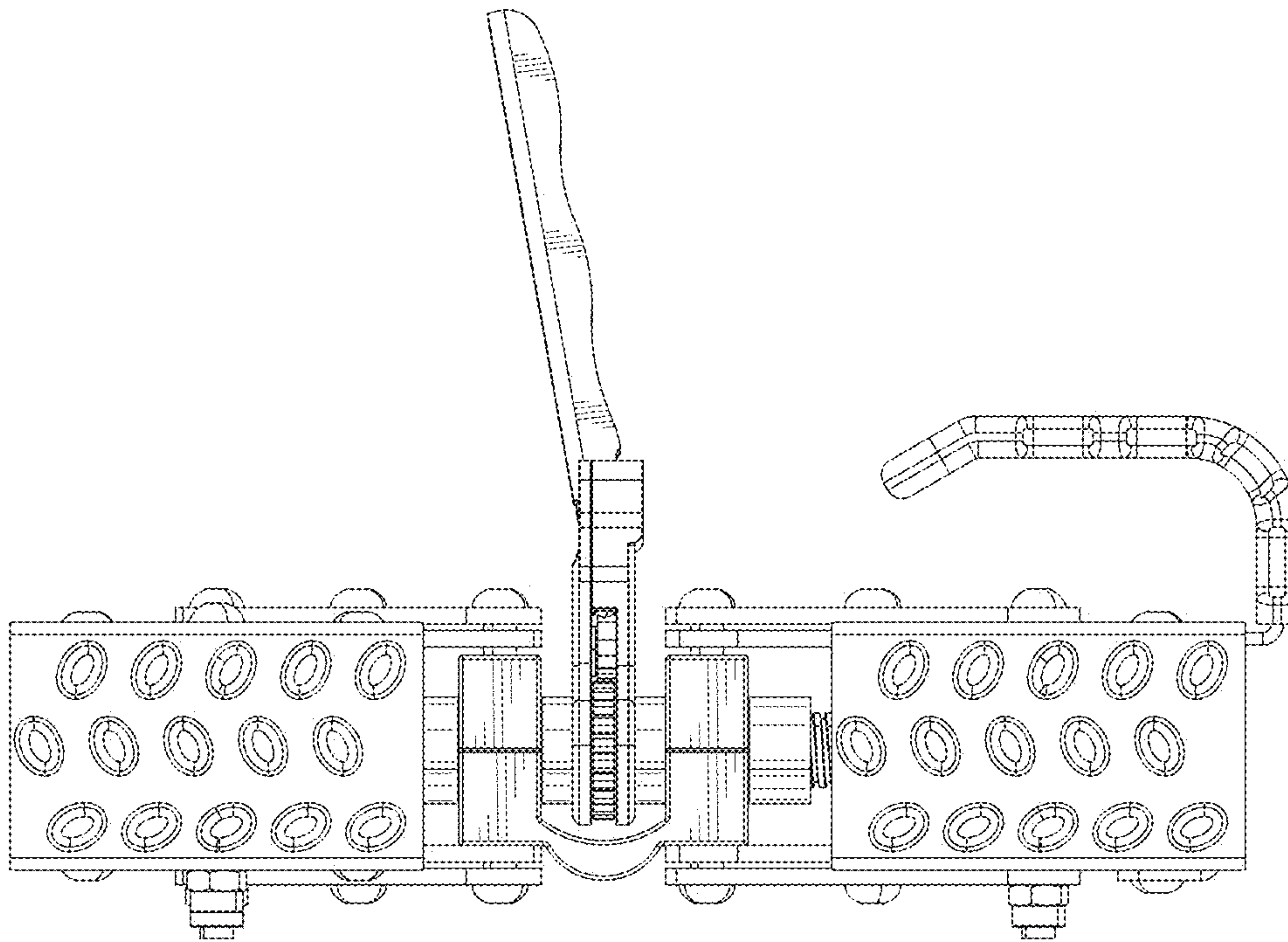


FIG. 7