



US00D959348S

(12) **United States Design Patent**
Williams

(10) **Patent No.:** **US D959,348 S**

(45) **Date of Patent:** **** *Aug. 2, 2022**

- (54) **WHEEL FRONT FACE**
- (71) Applicant: **WHEEL GROUP HOLDINGS, LLC**,
Ontario, CA (US)
- (72) Inventor: **David A Williams**, Chino Hills, CA
(US)
- (73) Assignee: **WHEEL GROUP HOLDINGS, LLC**,
Ontario, CA (US)
- (*) Notice: This patent is subject to a terminal disclaimer.
- (**) Term: **15 Years**
- (21) Appl. No.: **29/679,301**
- (22) Filed: **Feb. 4, 2019**
- (51) **LOC (13) Cl.** **12-16**
- (52) **U.S. Cl.**
USPC **D12/209**
- (58) **Field of Classification Search**
USPC D12/204-213; D21/563
CPC B60B 7/00; B60B 7/02; B60B 7/04; B60B
7/01; B60B 7/06; B60B 3/02; B60B 3/04;
B60B 3/06; B60B 3/10; B60B 1/00;
B60B 1/08; B60B 1/10; B60B 1/12
See application file for complete search history.

(56) **References Cited**

U.S. PATENT DOCUMENTS

D398,898 S *	9/1998	Baumgartner	D12/211
D595,632 S *	7/2009	Hernandez	D12/211
D756,282 S *	5/2016	Zhao	D12/209
D760,142 S *	6/2016	Chu	D12/211

D778,799 S *	2/2017	Gallert	D12/211
D795,775 S *	8/2017	Simpson	D12/211
D830,933 S *	10/2018	Zhao	D12/209
D833,945 S *	11/2018	Henderson	D12/209
D848,926 S *	5/2019	Tran	D12/209
D853,295 S *	7/2019	Han	D12/209
D860,902 S *	9/2019	Yeh	D12/209
D865,616 S *	11/2019	Tran	D12/209
D865,622 S *	11/2019	Han	D12/209
D865,624 S *	11/2019	Han	D12/209
D865,626 S *	11/2019	Han	D12/209
D871,295 S *	12/2019	Han	D12/209
D881,100 S *	4/2020	Liu	D12/209
D889,364 S *	7/2020	Han	D12/209
D891,344 S *	7/2020	Platto	D12/209
D892,017 S *	8/2020	Han	D12/209
D902,116 S *	11/2020	Han	D12/209
D915,987 S *	4/2021	Wittinger	D12/209
2002/0158504 A1 *	10/2002	Ito	B60B 3/06 301/65

* cited by examiner

Primary Examiner — Stacia A Cadmus

(74) *Attorney, Agent, or Firm* — Law Offices of S. J. Christine Yang

(57) **CLAIM**

The ornamental design for a wheel front face, as shown and described.

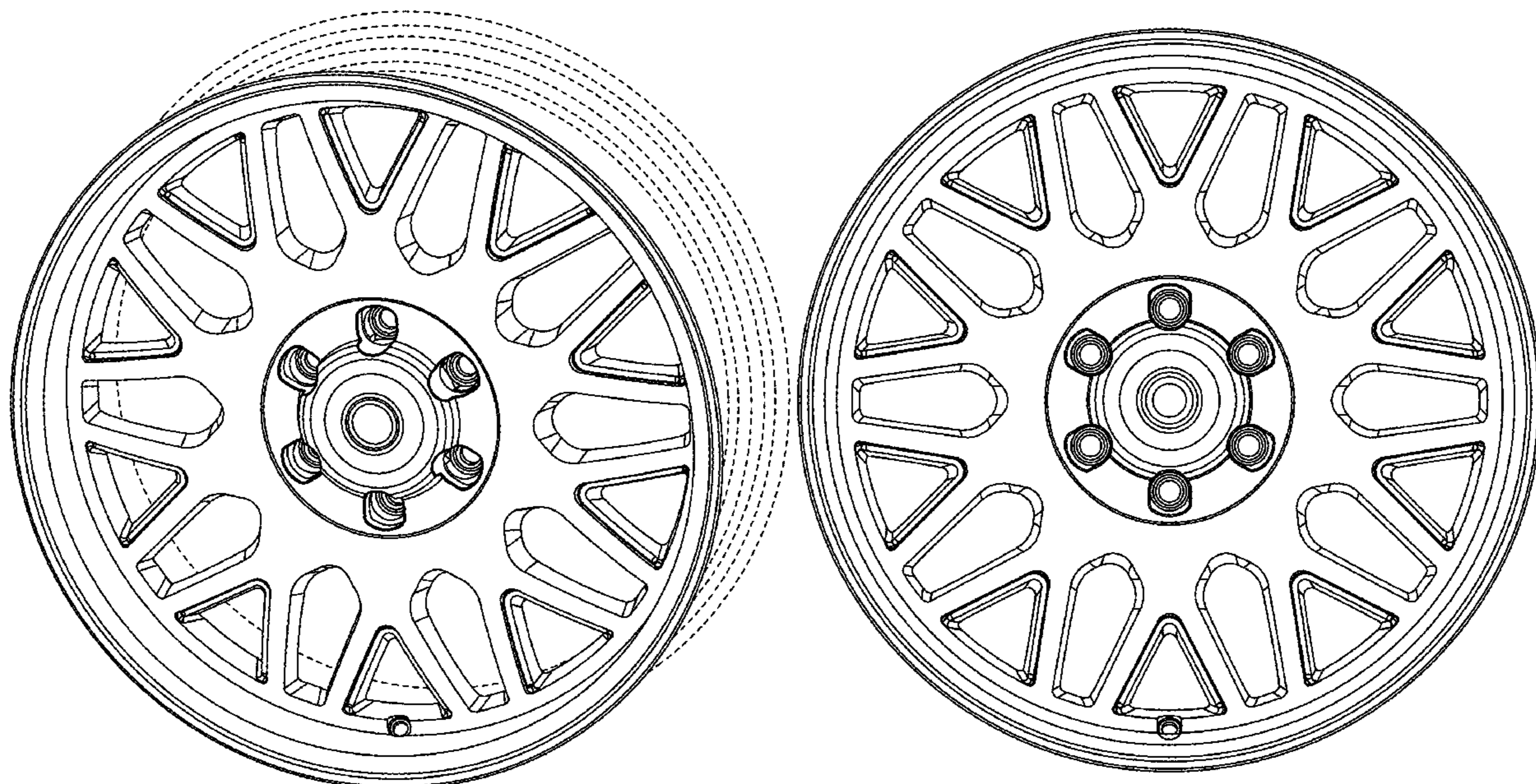
DESCRIPTION

FIG. 1 is a perspective view of a wheel front face, showing my new design.

FIG. 2 is a front view of the wheel front face of FIG. 1; and, FIG. 3 is a side view of the wheel front face of FIG. 1.

In the drawings the broken lines show portions of the wheel that form no part of the claimed design.

1 Claim, 3 Drawing Sheets



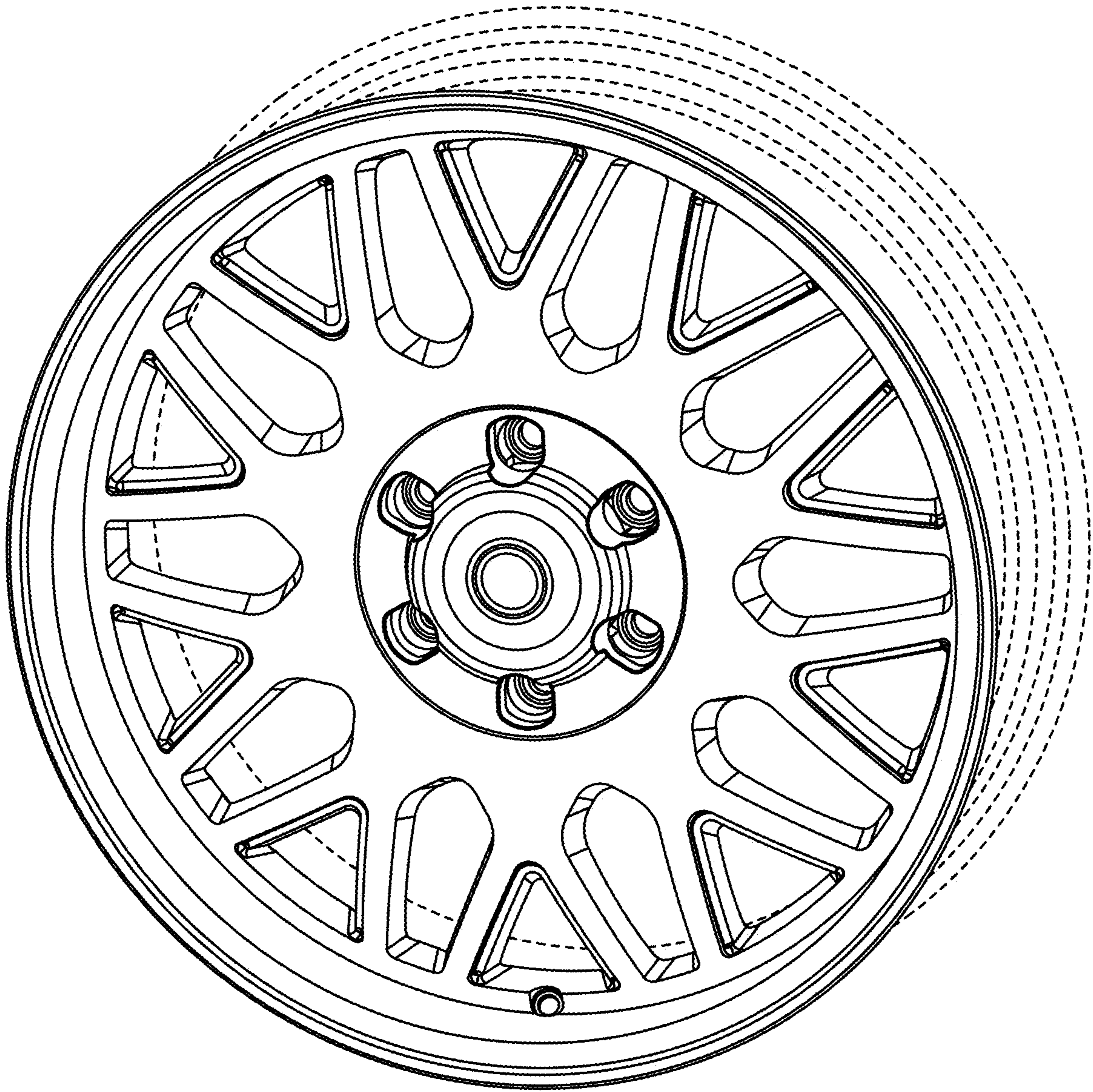


FIG. 1

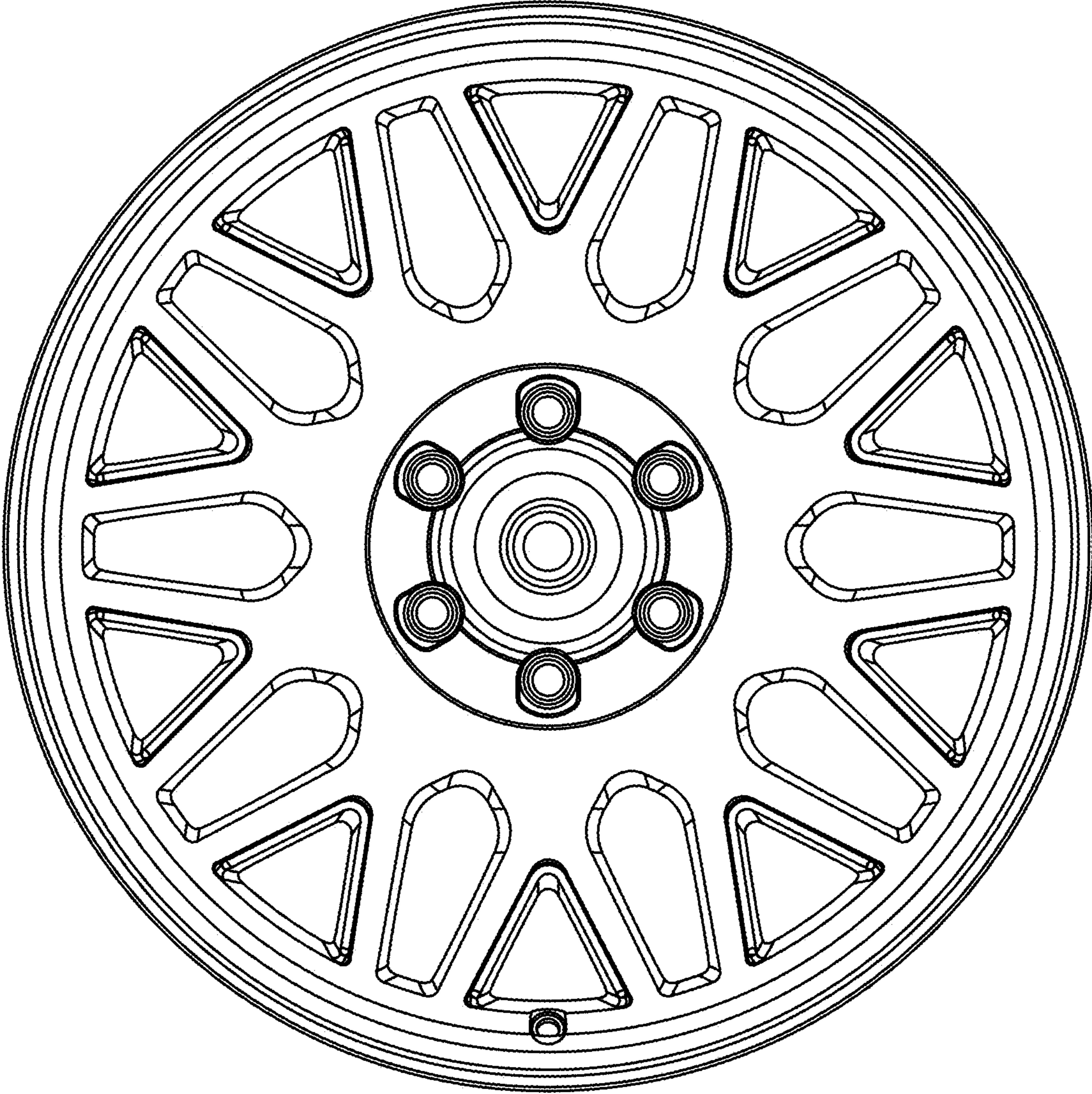


FIG.2

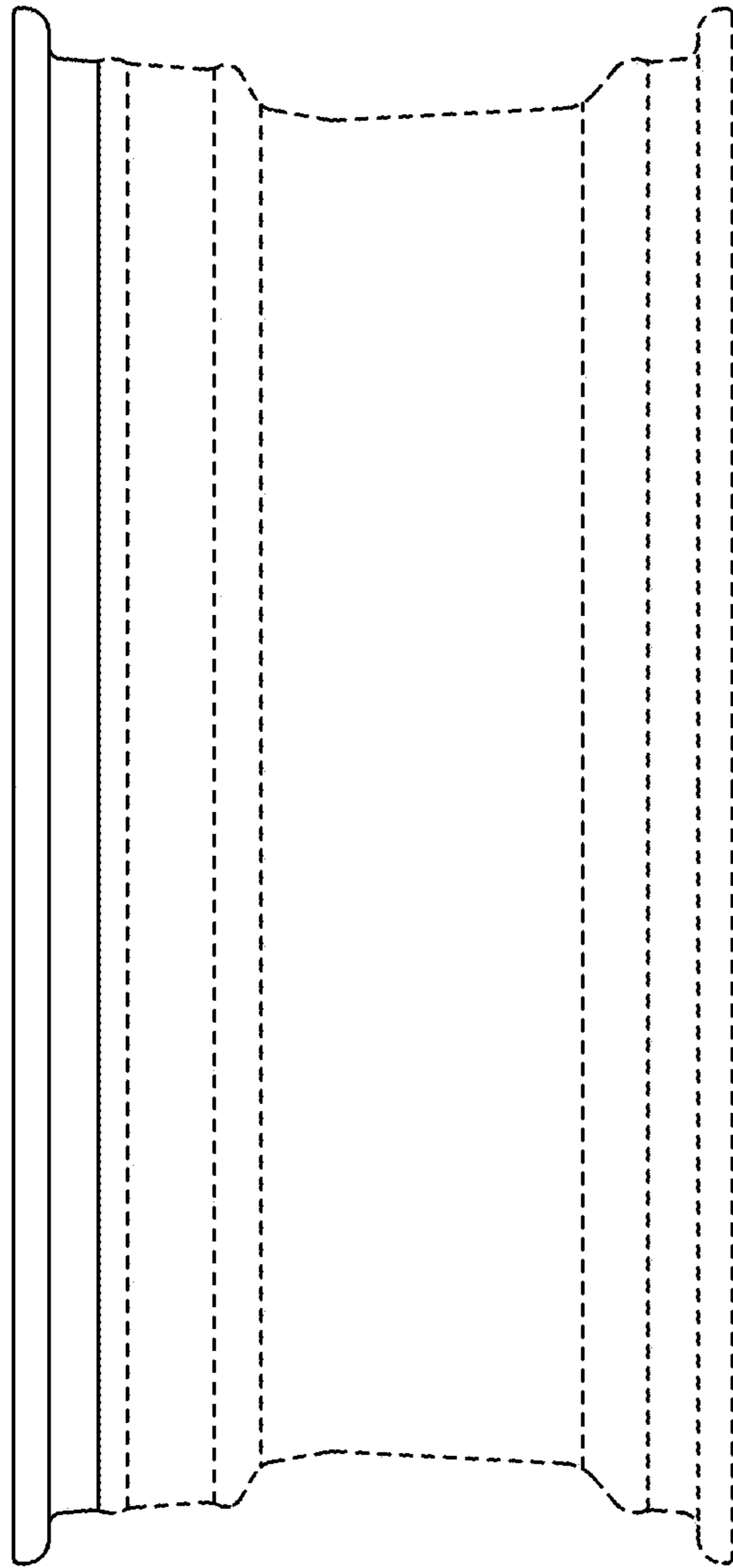


FIG.3