



US00D959347S

(12) **United States Design Patent** (10) **Patent No.:** **US D959,347 S**  
**Kim et al.** (45) **Date of Patent:** **\*\* Aug. 2, 2022**

(54) **TAILGATE PANEL FOR VEHICLES**  
(71) Applicants: **KIA MOTORS CORPORATION**,  
Seoul (KR); **HYUNDAI MOTOR**  
**COMPANY**, Seoul (KR)  
(72) Inventors: **Min-Sik Kim**, Seongnam-si (KR);  
**Se-Bok Cheon**, Suwon-si (KR)  
(73) Assignees: **Kia Motors Corporation**, Seoul (KR);  
**Hyundai Motor Company**, Seoul (KR)  
(\*\*) Term: **15 Years**  
(21) Appl. No.: **35/511,221**  
(22) Filed: **Jan. 11, 2021**  
(80) **Hague Agreement Data**  
Int. Filing Date: **Jan. 11, 2021**  
Int. Reg. No.: **DM/212278**  
Int. Reg. Date: **Jan. 11, 2021**  
Int. Reg. Pub. Date: **Jan. 29, 2021**  
(30) **Foreign Application Priority Data**  
Aug. 18, 2020 (KR) ..... 30-2020-0038607  
(51) **LOC (13) Cl.** ..... **12-16**  
(52) **U.S. Cl.**  
USPC ..... **D12/196**  
(58) **Field of Classification Search**  
USPC ..... D12/86, 90-92, 163, 169, 171, 196, 216  
CPC ..... B60R 19/02; B60R 19/03; B60R 19/04;  
B62D 25/08; B62D 25/12; B60J 5/10;  
B60J 5/101; B60J 5/102; B60J 5/103;  
B60J 5/107  
See application file for complete search history.

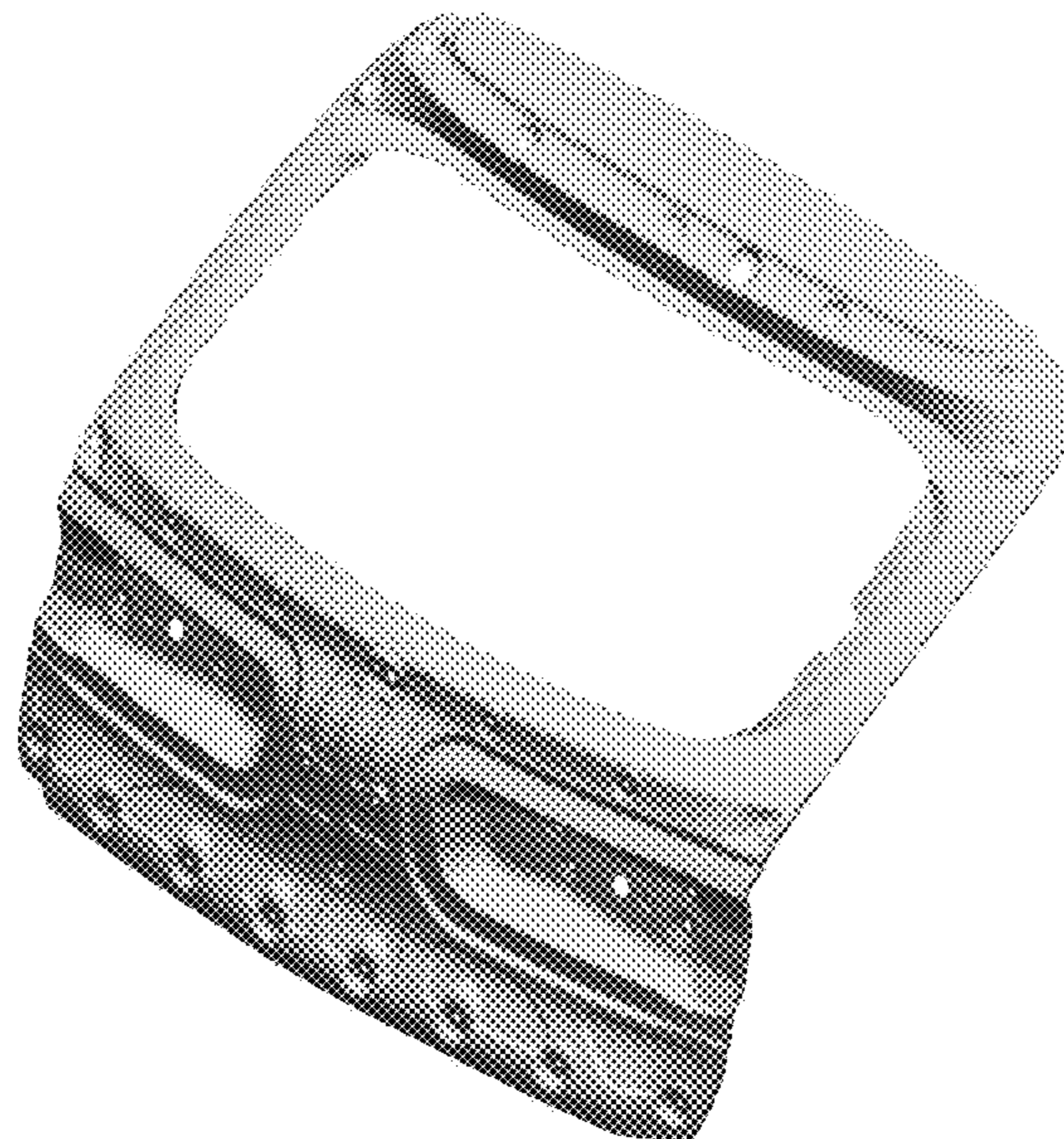
(56) **References Cited**  
U.S. PATENT DOCUMENTS  
7,832,791 B2 \* 11/2010 Wojcik ..... B60S 1/583  
15/250.31  
8,985,675 B1 \* 3/2015 Gangal ..... B60J 5/107  
296/146.8  
D751,014 S \* 3/2016 Wolff ..... D12/196  
D764,995 S \* 8/2016 Bucher ..... D12/196  
D783,482 S \* 4/2017 Smith ..... D12/196  
D805,985 S \* 12/2017 Nakamura ..... D12/196  
9,834,072 B1 \* 12/2017 Alvarez Ruiz ..... B60J 5/101  
D811,302 S \* 2/2018 Piscitelli ..... D12/196  
D816,003 S \* 4/2018 Perkins ..... D12/184  
D820,183 S \* 6/2018 Gueler ..... D12/196  
D823,763 S \* 7/2018 Koo ..... D12/196  
D839,163 S \* 1/2019 Pinazzo ..... D12/196  
10,189,337 B2 \* 1/2019 Kuntze ..... B60J 5/107  
10,384,520 B2 \* 8/2019 Kuntze ..... B62D 29/043  
10,422,174 B2 \* 9/2019 Felix Frias ..... E05D 15/48  
D864,822 S \* 10/2019 Kim ..... D12/196  
D883,885 S \* 5/2020 Metros ..... D12/196  
D897,919 S \* 10/2020 Choi ..... D12/196

\* cited by examiner  
*Primary Examiner* — Darlington Ly  
(74) *Attorney, Agent, or Firm* — Fox Rothschild LLP

(57) **CLAIM**  
The ornamental design for a tailgate panel for vehicles, as shown and described.

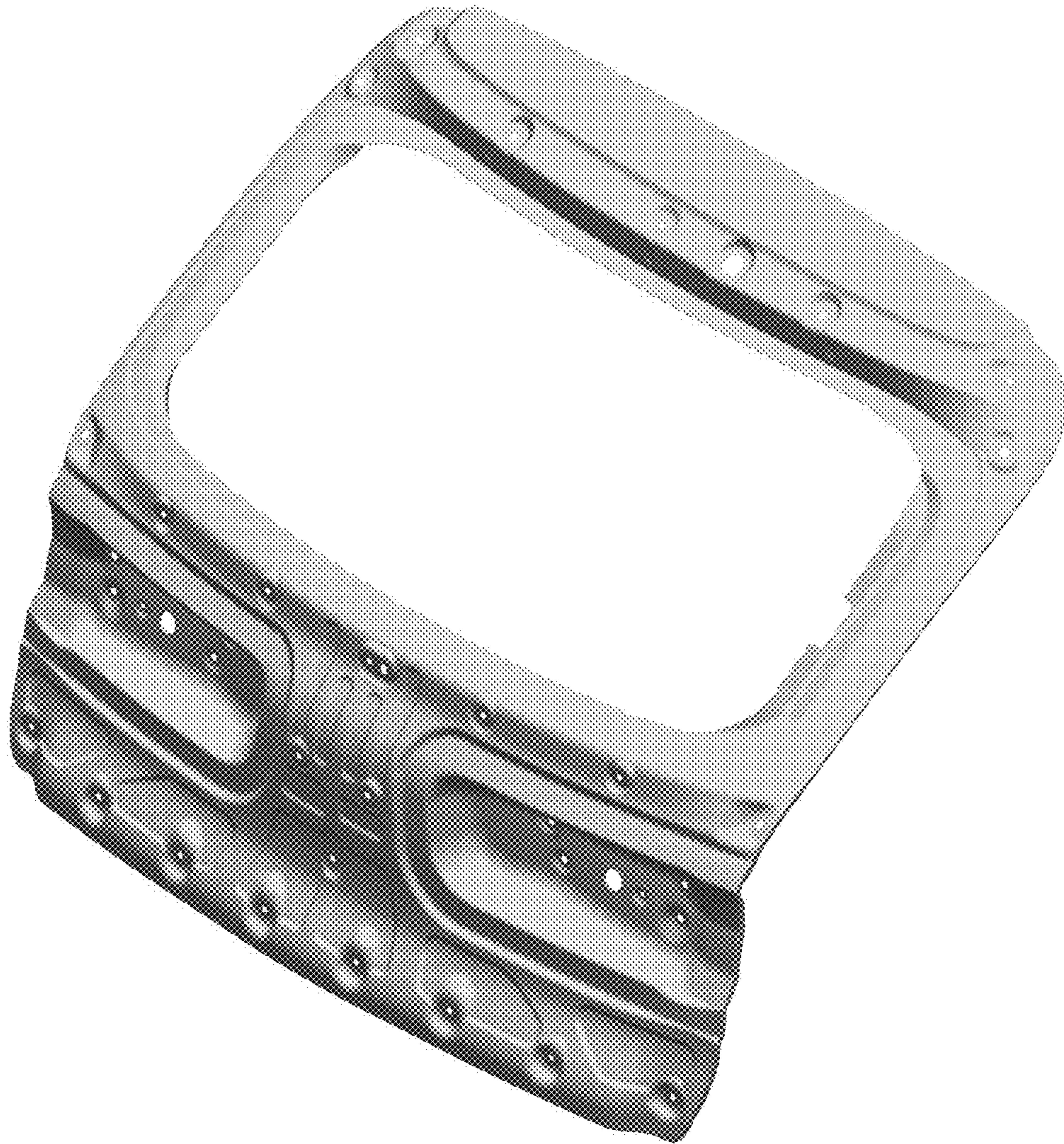
**DESCRIPTION**  
1. Tailgate panel for vehicles  
1.1 is a front perspective view of a tailgate panel for vehicles embodying our new design;  
1.2 is a front elevation view thereof;  
1.3 is a rear elevation view thereof;  
1.4 is a left side elevation view thereof;  
1.5 is a right side elevation view thereof;  
1.6 is a top plan view thereof; and  
1.7 is a bottom plan view thereof.

**1 Claim, 7 Drawing Sheets**



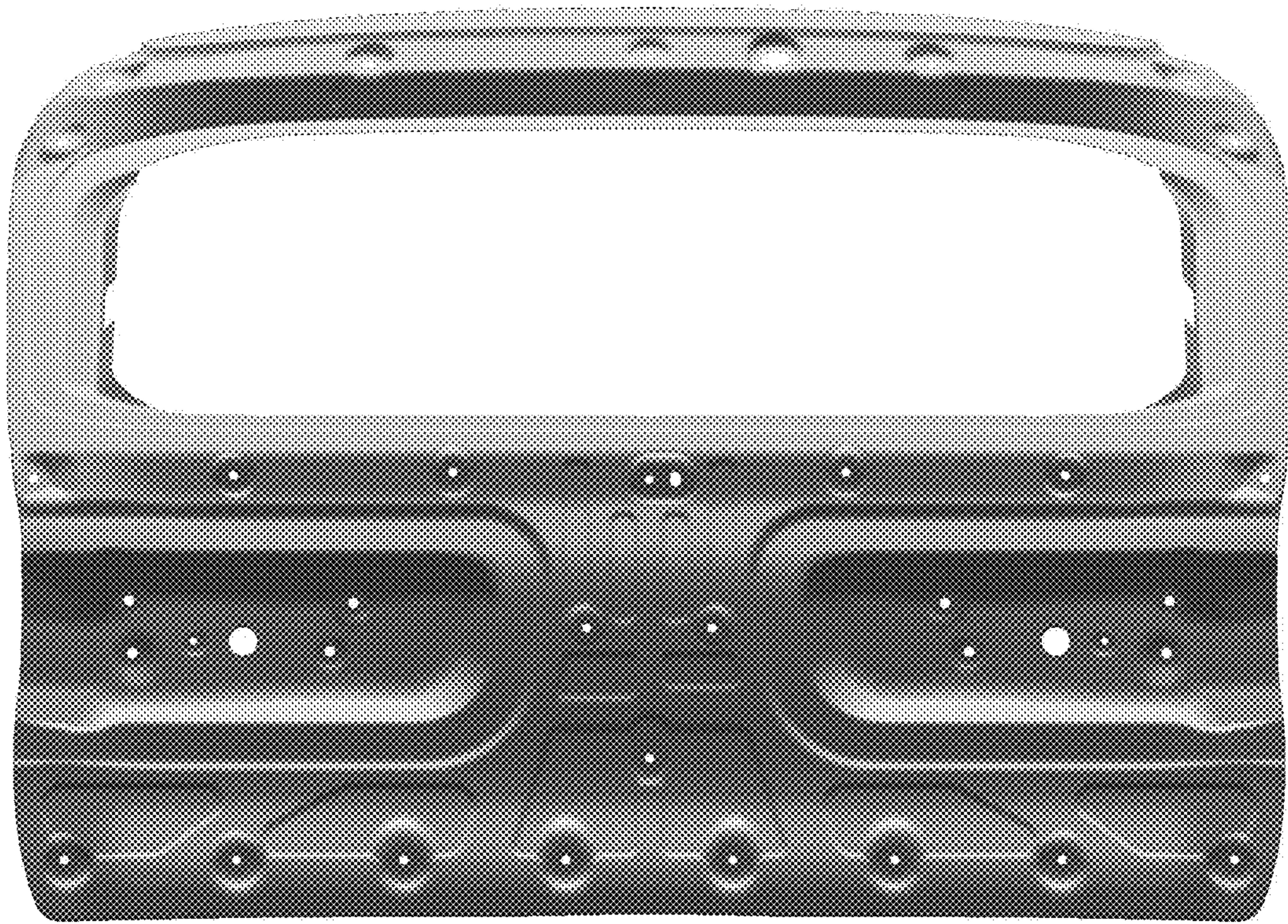


1.1



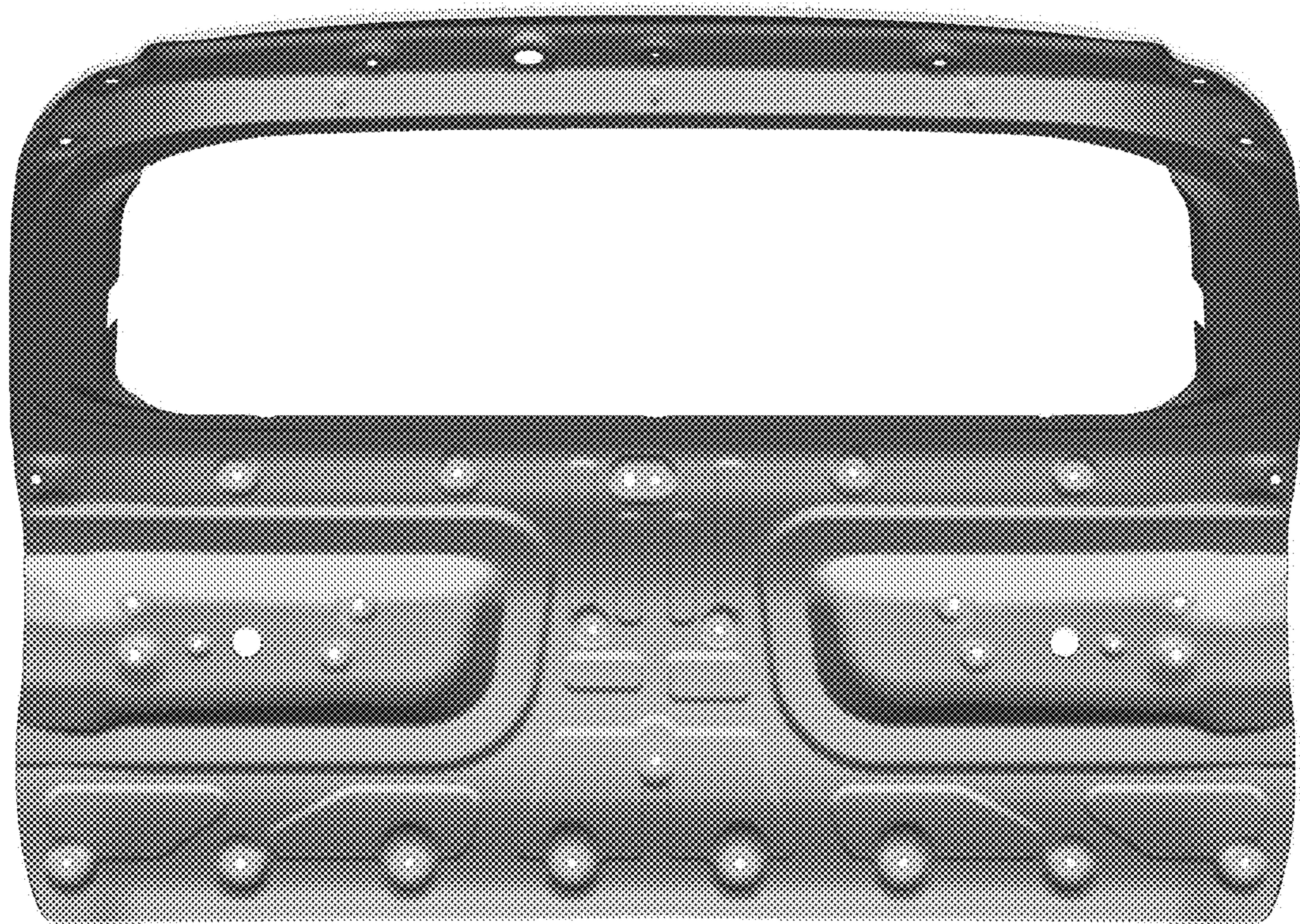


1.2





1.3



1.4

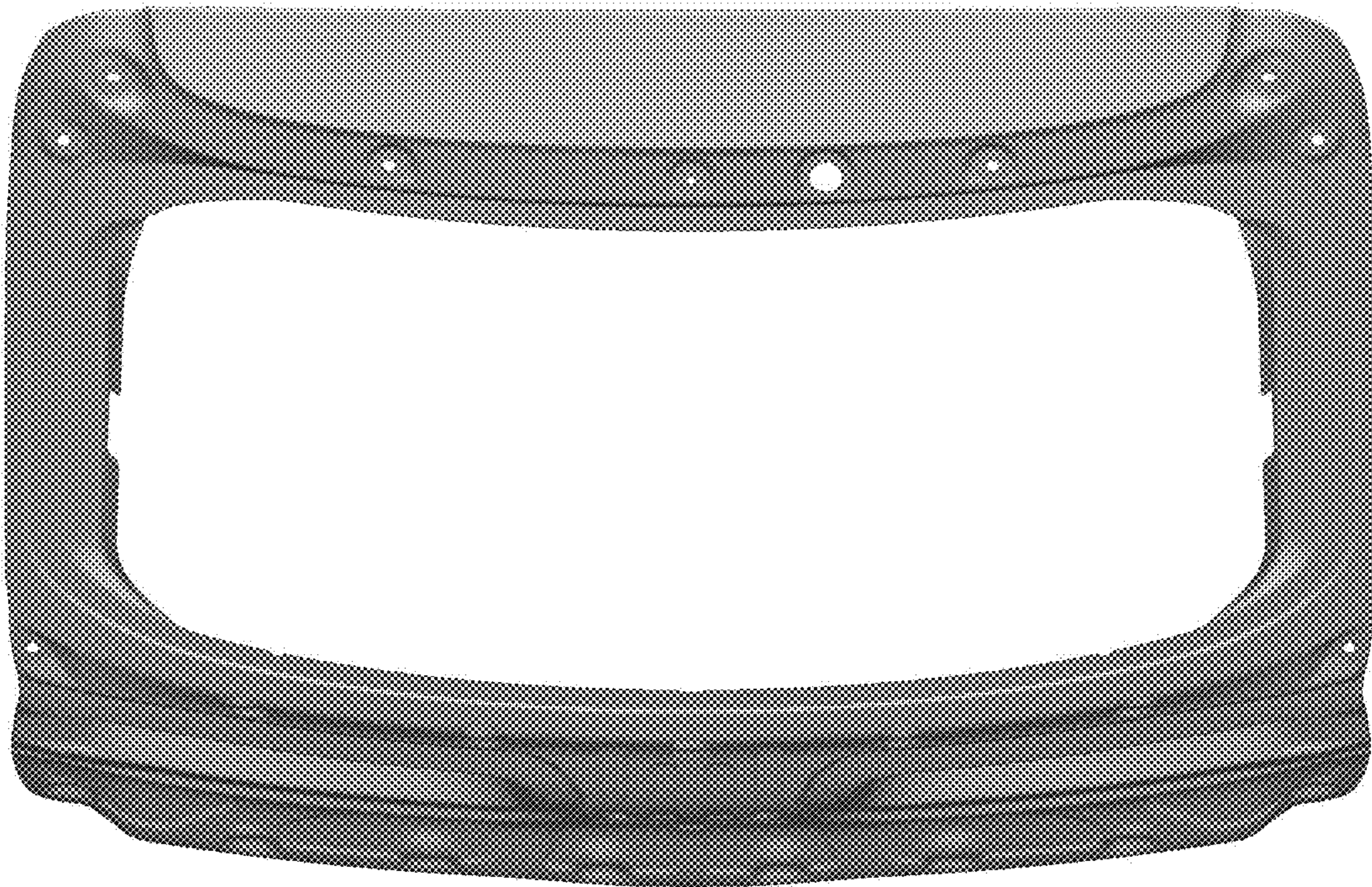


1.5





1.6



1.7

