



US00D959344S

(12) **United States Design Patent**
Shallis

(10) **Patent No.:** **US D959,344 S**

(45) **Date of Patent:** **** Aug. 2, 2022**

(54) **SUN VISOR DISPENSER**

9,080,714 B2 * 7/2015 Minn F16M 11/105
D773,363 S * 12/2016 Brawner D12/188
D795,327 S * 8/2017 Martin D16/242

(71) Applicant: **Bruce Shallis**, Coatesville, PA (US)

(72) Inventor: **Bruce Shallis**, Coatesville, PA (US)

(**) Term: **15 Years**

(21) Appl. No.: **29/751,376**

(22) Filed: **Sep. 21, 2020**

(51) **LOC (13) Cl.** **12-16**

(52) **U.S. Cl.**
USPC **D12/188**

(58) **Field of Classification Search**
USPC D12/188, 189, 187, 400; D6/300, 309
CPC G02B 7/182; G02B 5/08; G02B 7/18
See application file for complete search history.

(56) **References Cited**

U.S. PATENT DOCUMENTS

- D312,617 S * 12/1990 Makita D8/382
- D404,753 S * 1/1999 Mascarenas, Sr. D16/242
- D433,436 S * 11/2000 Unertl D22/199
- 8,356,948 B2 * 1/2013 Onishi G03B 17/566
396/419
- 9,004,434 B2 * 4/2015 Kang H04B 1/3877
248/316.4
- D730,787 S * 6/2015 Kwon D12/167
- D732,929 S * 6/2015 Harrow D8/354

* cited by examiner

Primary Examiner — Katrina A Betton
(74) *Attorney, Agent, or Firm* — Miller Law Group, PLLC

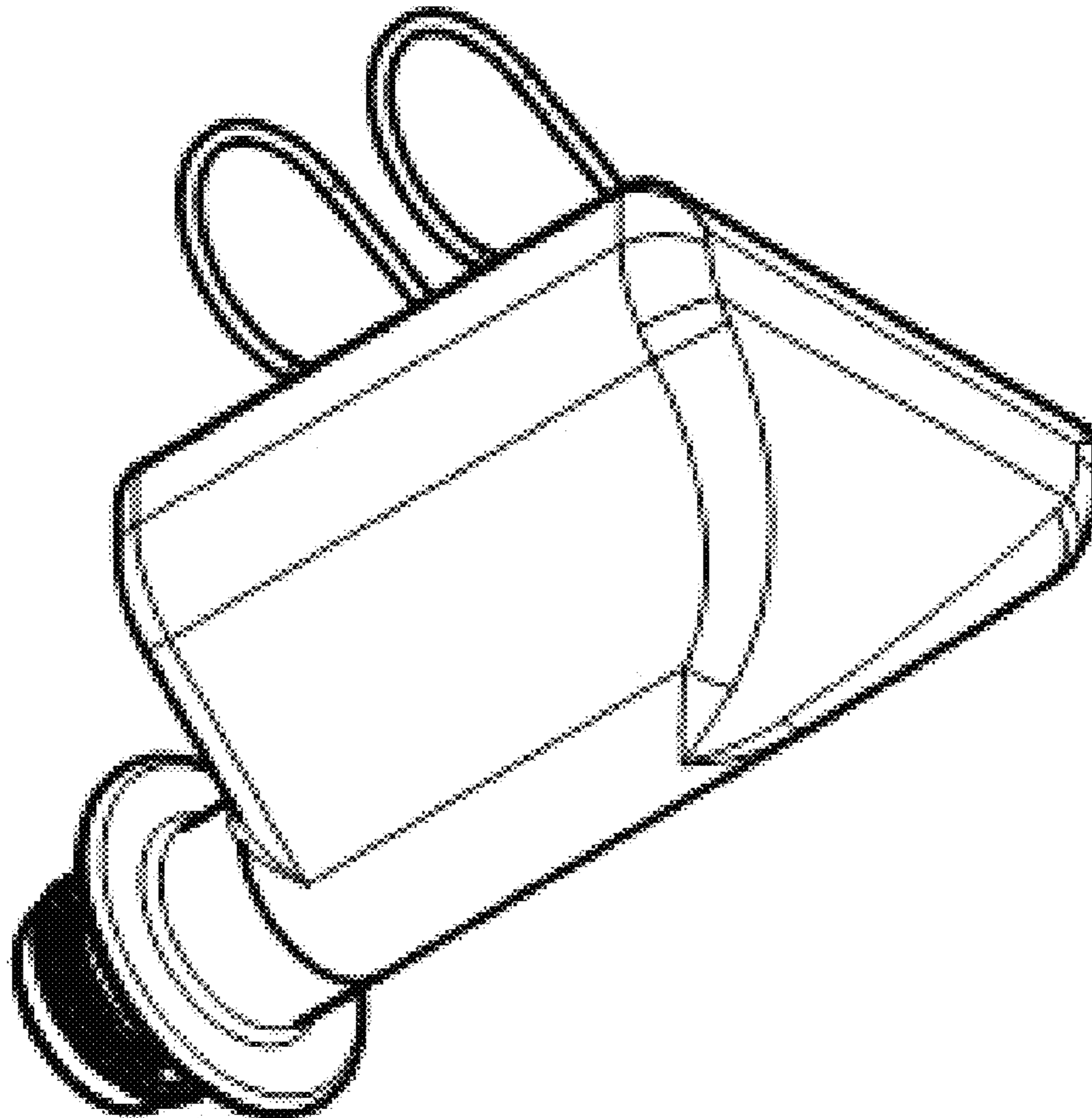
(57) **CLAIM**

The ornamental design for a sun visor dispenser, as shown and described.

DESCRIPTION

FIG. 1 is an elevational view of the rear face of the sun visor dispenser, containing the principles of the instant invention; FIG. 2 is an elevational view of the front face of the sun visor dispenser shown in FIG. 1; FIG. 3 is an elevational view of the right end thereof; FIG. 4 is an elevational view of the left end thereof; FIG. 5 is a bottom plan view thereof; FIG. 6 is a top plan view thereof; FIG. 7 is a lower, front perspective view thereof; and, FIG. 8 is an upper rear perspective view thereof.

1 Claim, 6 Drawing Sheets



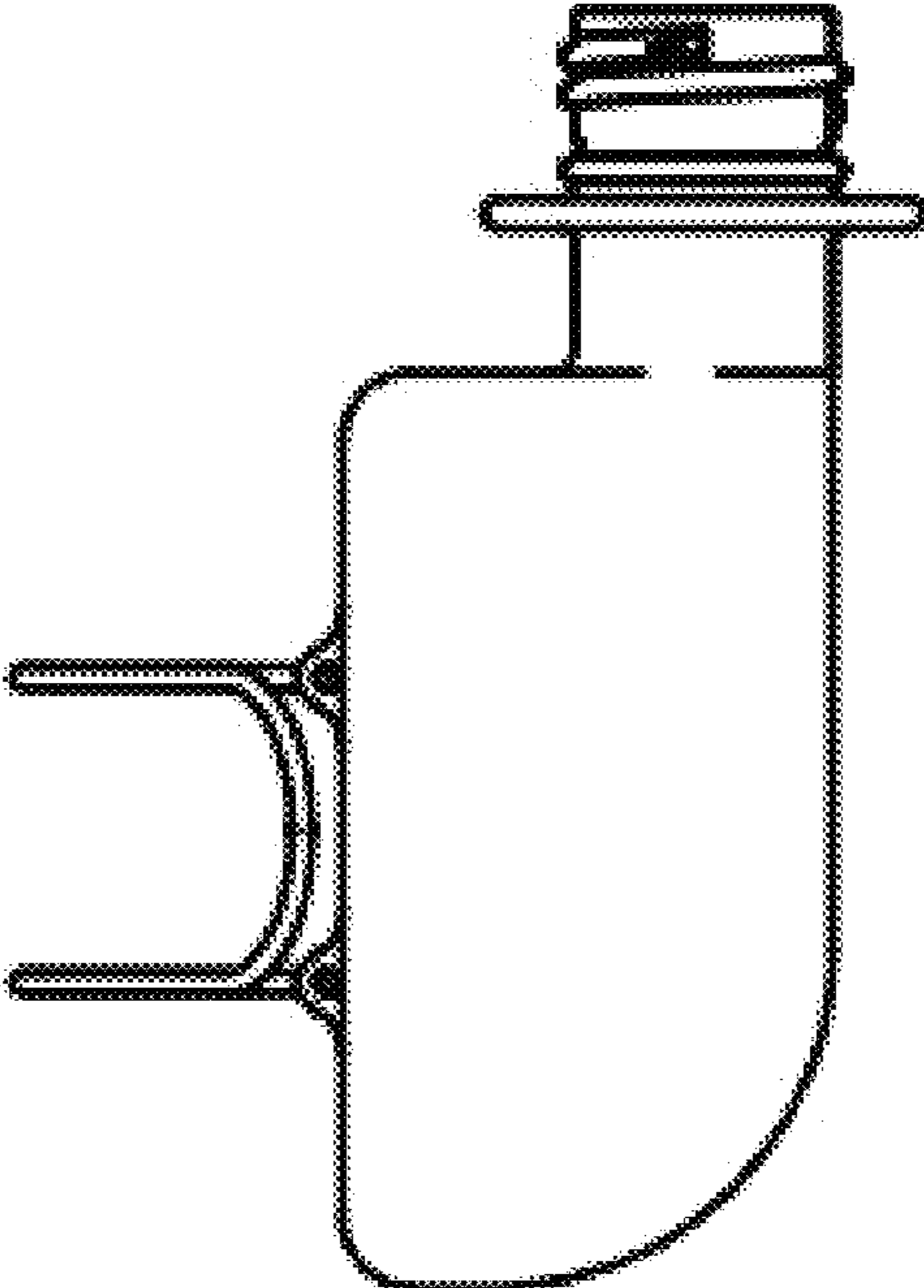


Fig. 1

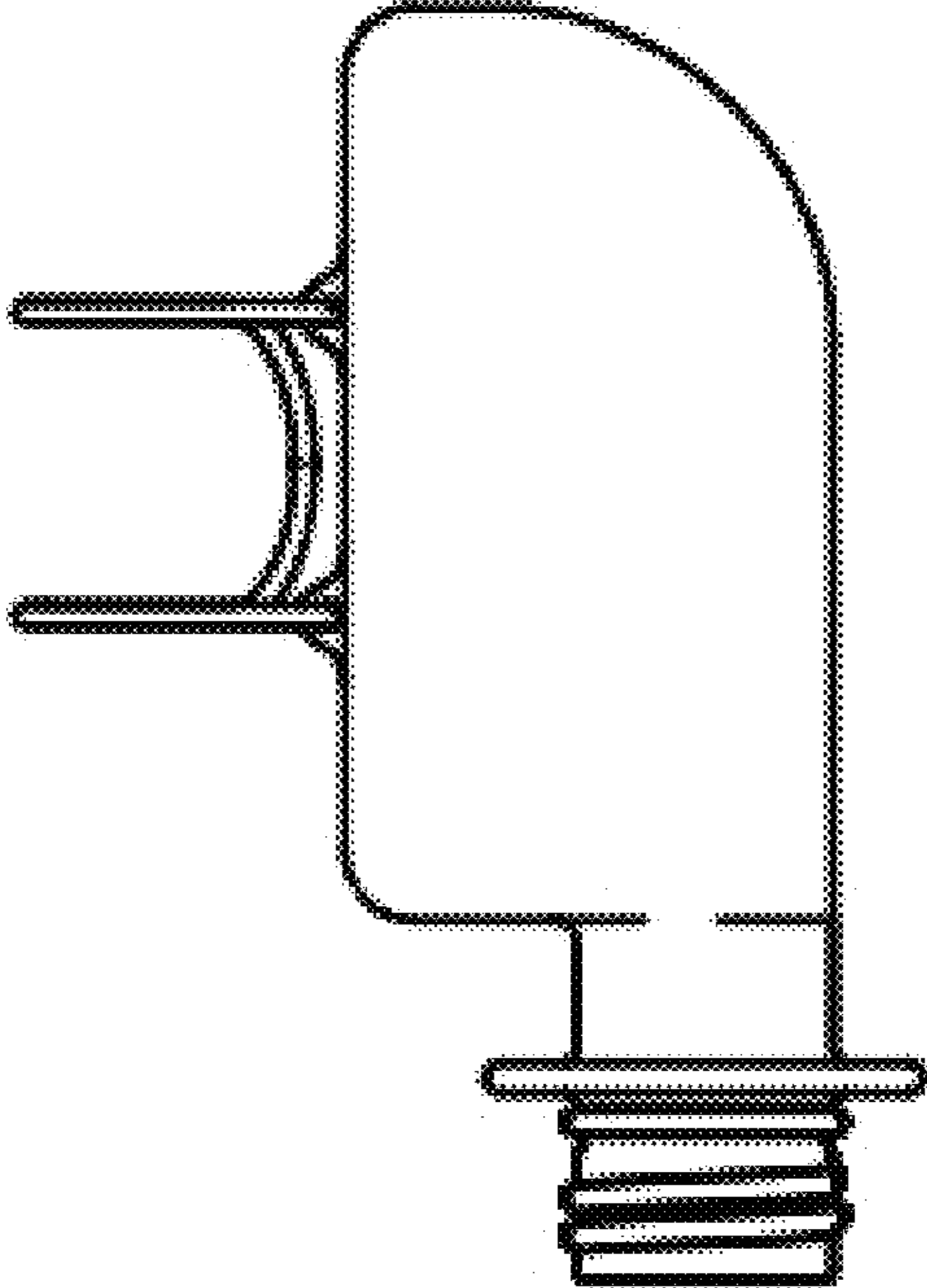


Fig. 2

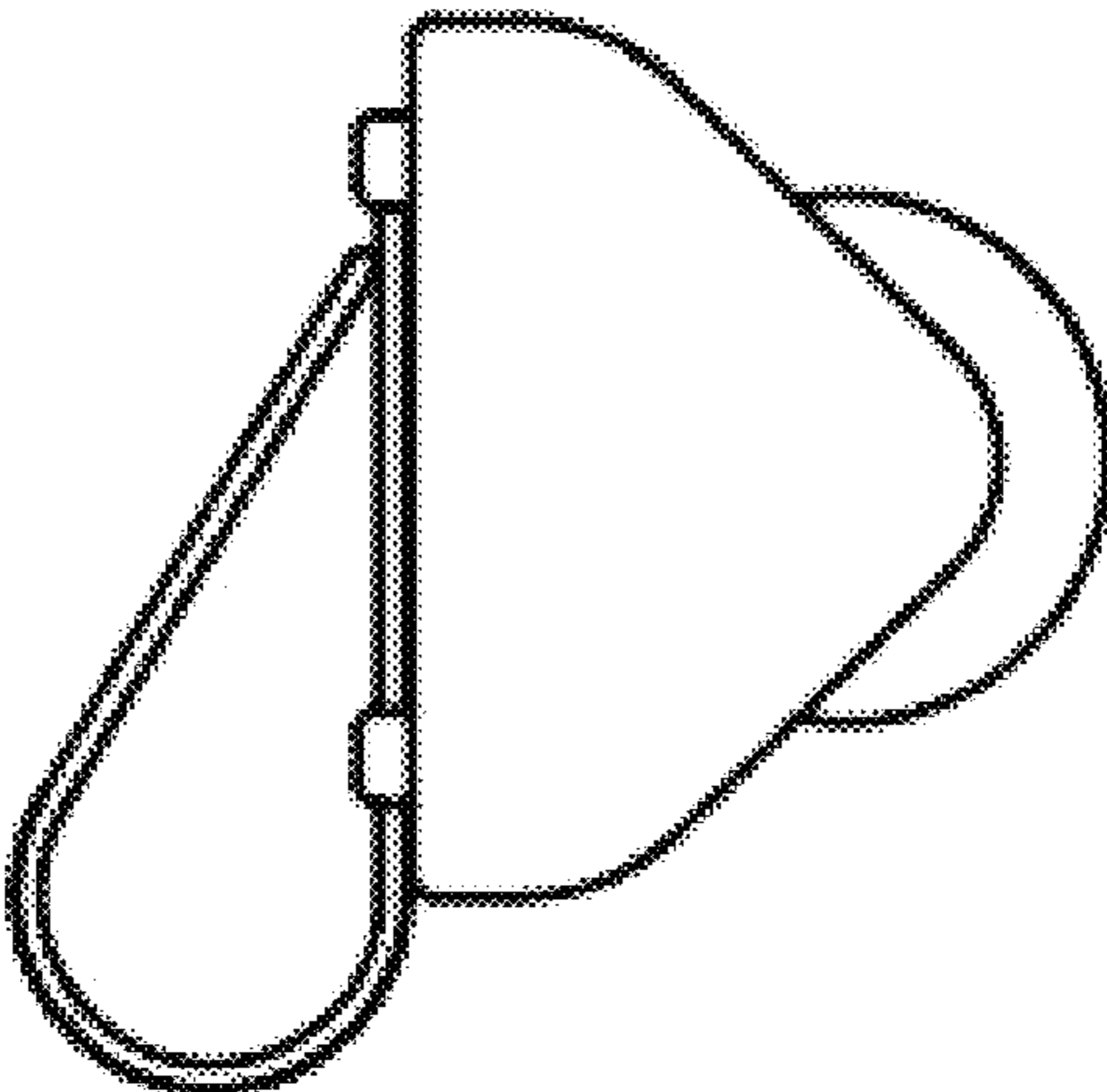


Fig. 3

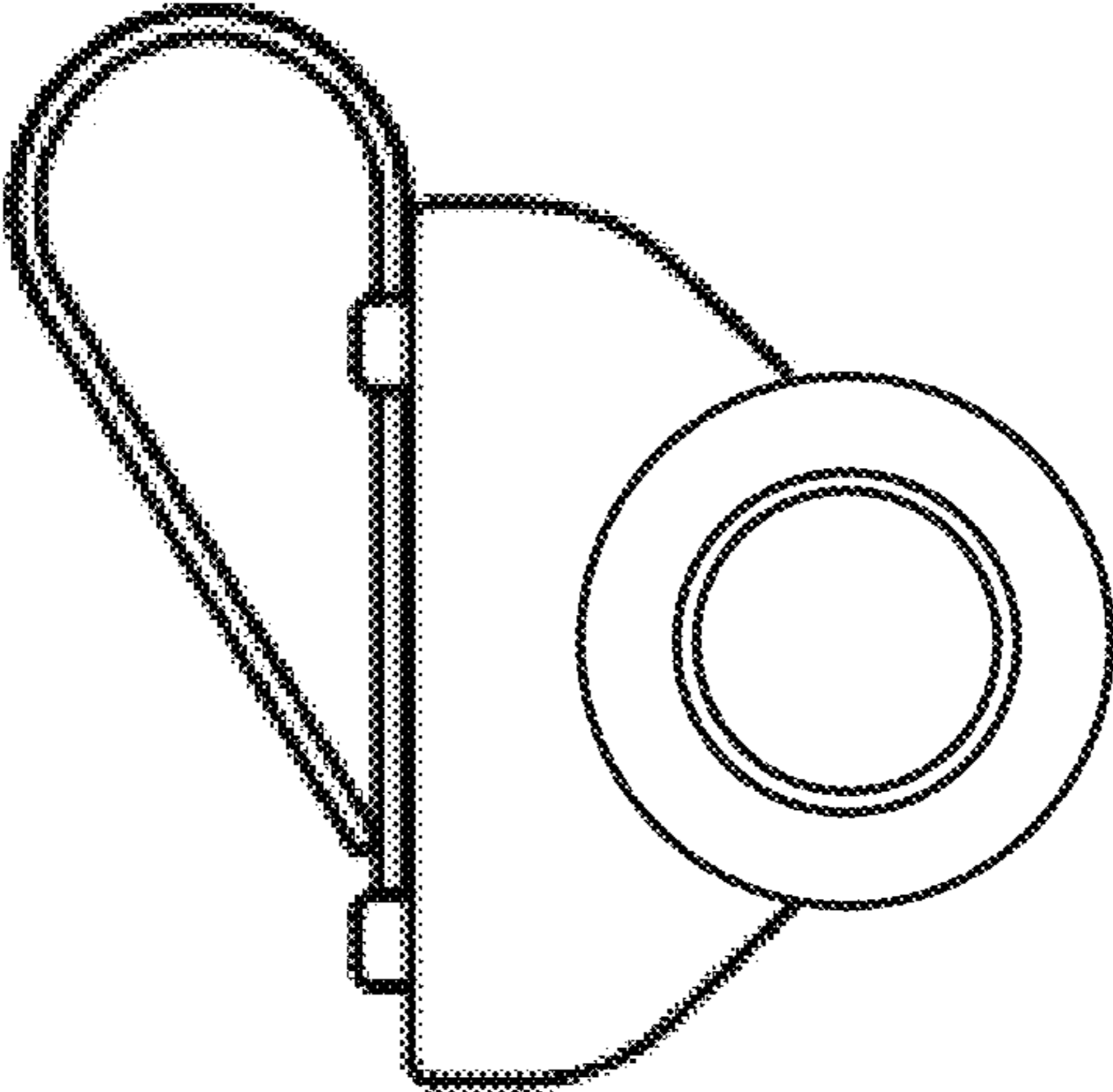


Fig. 4

Fig. 5

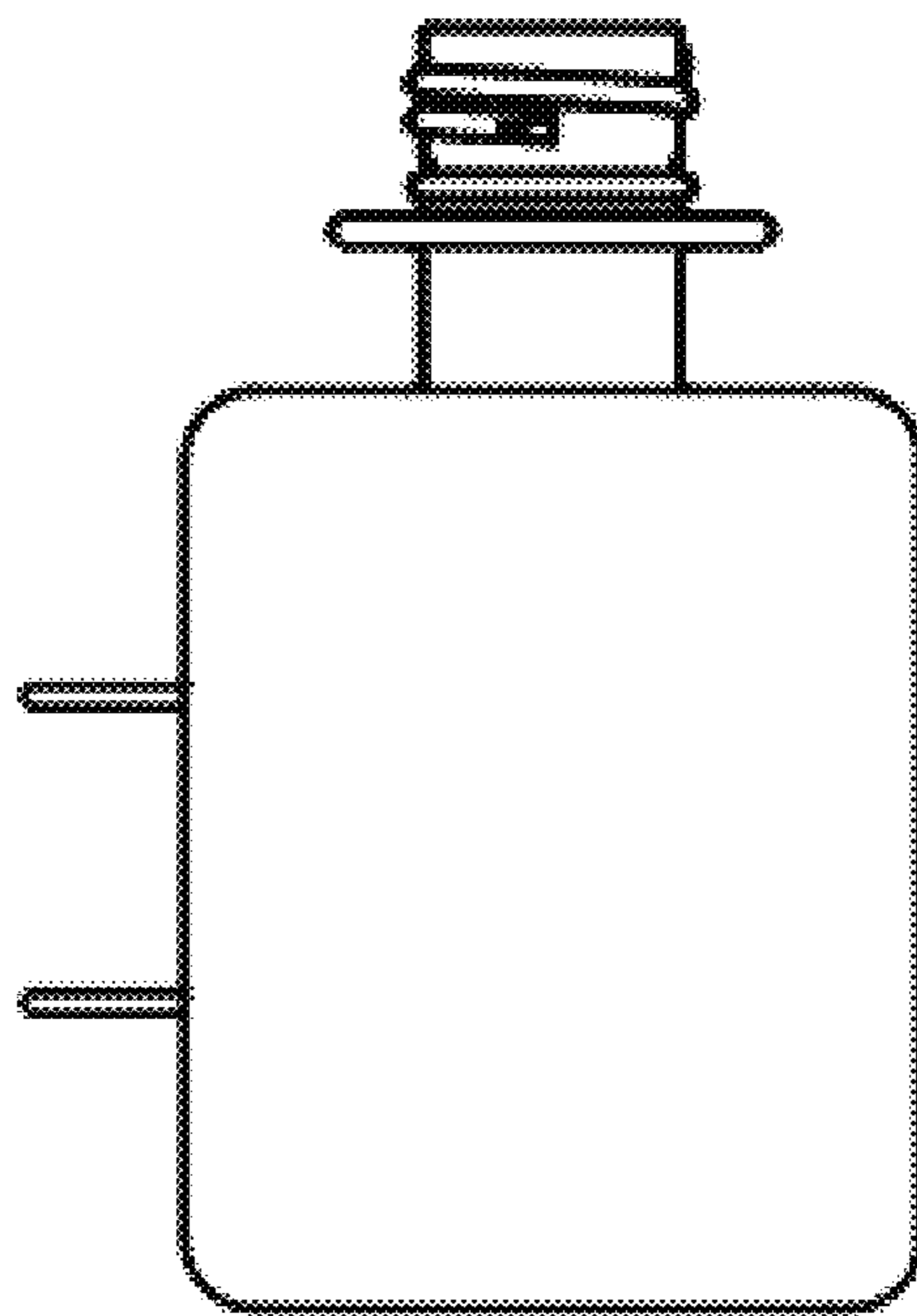
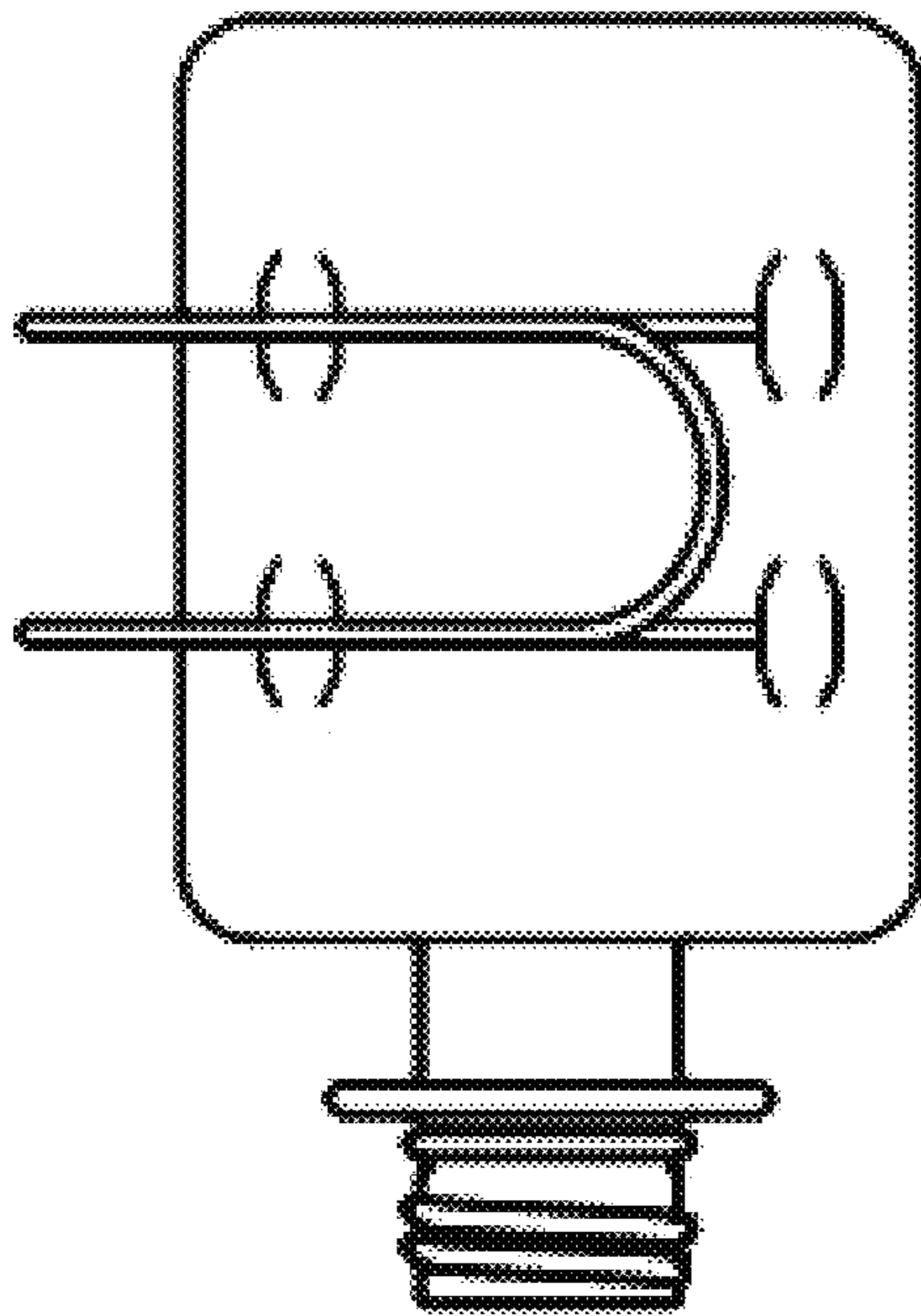


Fig. 6



Fig. 7

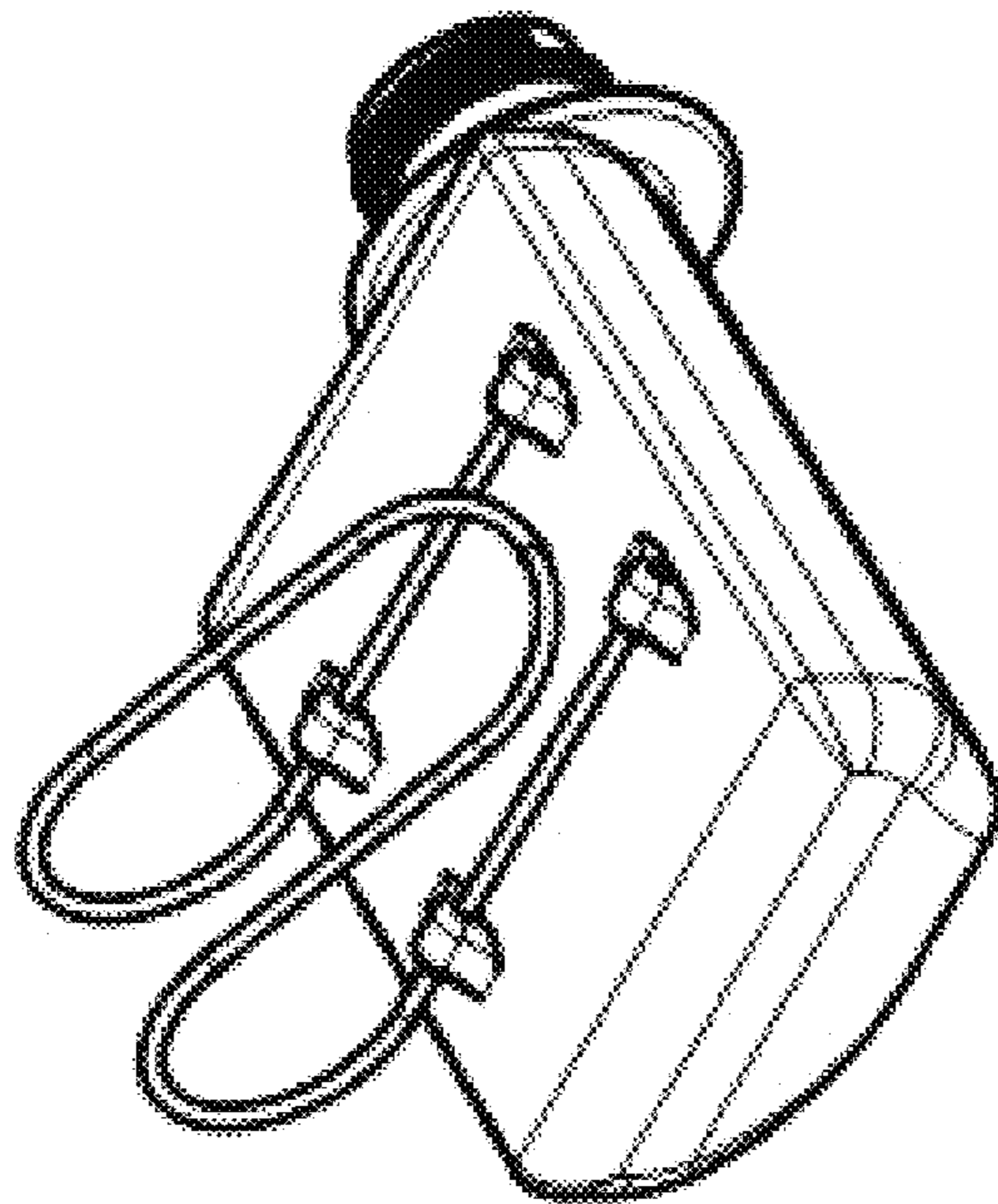


Fig. 8