



US00D959339S

(12) **United States Design Patent** (10) **Patent No.:** **US D959,339 S**
Schuleri (45) **Date of Patent:** **** Aug. 2, 2022**

- (54) **WALKING FRAME COVER**
- (71) Applicant: **Jover, LLC**, Media, PA (US)
- (72) Inventor: **Mary Schuleri**, Media, PA (US)
- (73) Assignee: **Jover, LLC**, Media, PA (US)
- (**) Term: **15 Years**
- (21) Appl. No.: **29/790,284**
- (22) Filed: **Nov. 17, 2021**

Primary Examiner — Charles D Hanson
(74) *Attorney, Agent, or Firm* — K&L Gates LLP

(57) **CLAIM**

The ornamental design for a walking frame cover, as shown and described.

DESCRIPTION

FIG. 1 is a top rear perspective view of the walking frame cover as it would be attached to a walking frame; FIG. 2 a bottom front perspective view thereof; FIG. 3 is a rear elevational view thereof; FIG. 4 is a front elevational view thereof; FIG. 5 is a left elevational view thereof; FIG. 6 is a right elevational view thereof; FIG. 7 is a top plan view thereof; FIG. 8 is a bottom plan view thereof; FIG. 9 is a top rear perspective view of the design in a planar orientation of the walking frame cover; FIG. 10 is a bottom front perspective view of the design in a planar orientation thereof; FIG. 11 is a front elevational view of the design in a planar orientation thereof; FIG. 12 is a rear elevational view of the design in a planar orientation thereof; FIG. 13 is a left elevational view of the design in a planar orientation thereof; FIG. 14 is a right elevational view of the design in a planar orientation thereof; FIG. 15 is a top plan view of the design in a planar orientation thereof; and, FIG. 16 is a bottom plan view of the design in a planar orientation thereof.

The broken lines in the drawing depict portions of the walking frame cover and the walking frame that form no part of the claimed design. Specifically, the walking frame cover is depicted in both an installed orientation and a planar orientation.

Related U.S. Application Data

- (63) Continuation of application No. 16/946,260, filed on Jun. 12, 2020.
 - (60) Provisional application No. 16/946,260, filed on Jun. 12, 2020.
 - (51) **LOC (13) Cl.** **12-12**
 - (52) **U.S. Cl.**
USPC **D12/133**
 - (58) **Field of Classification Search**
USPC D12/130, 133
CPC A61H 3/00; A61H 3/04; A61H 2003/001-007; A61H 2003/043; A61H 2003/046
- See application file for complete search history.

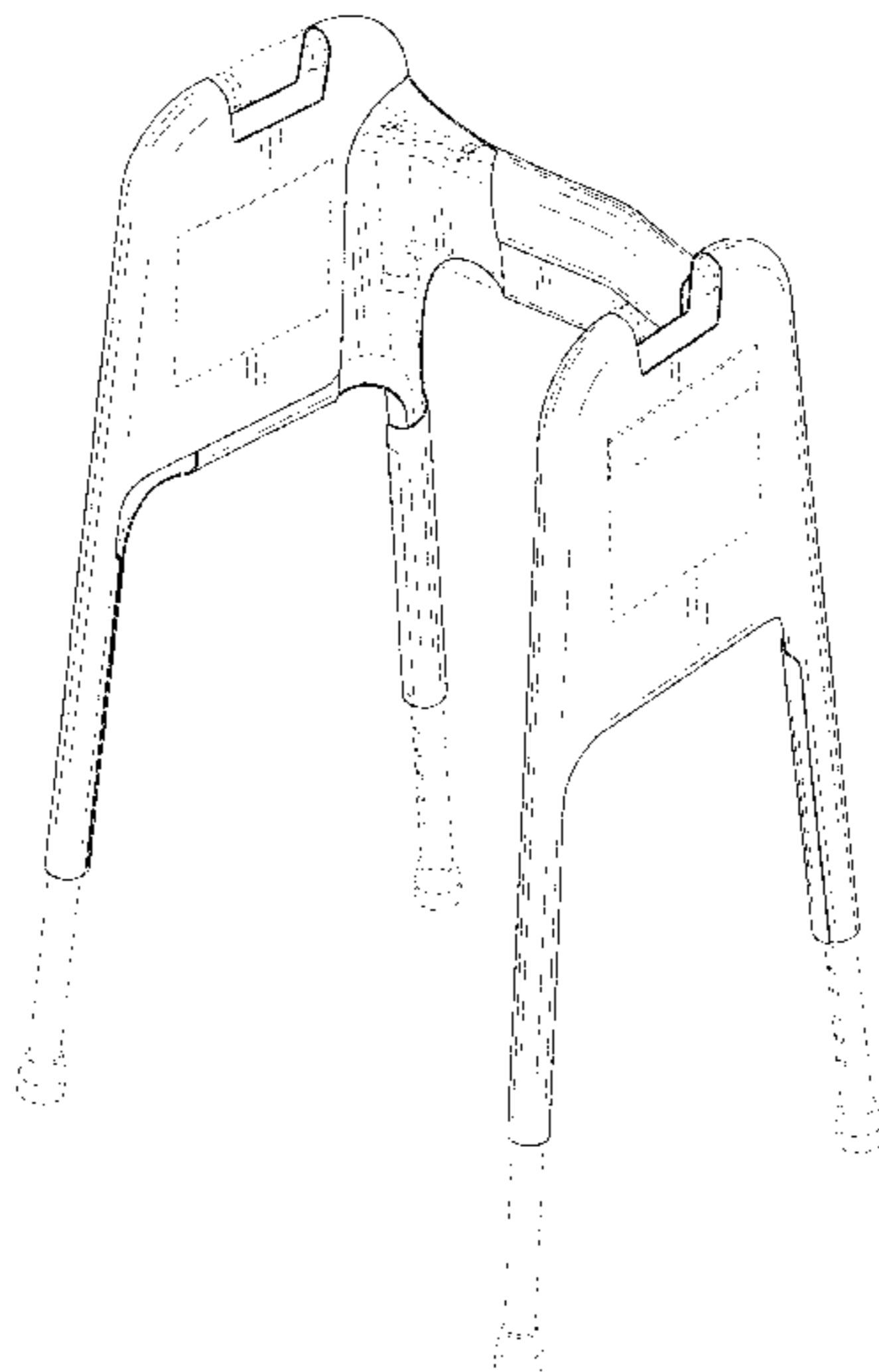
(56) **References Cited**

U.S. PATENT DOCUMENTS

4,027,687	A	6/1977	McGowan	
5,058,912	A *	10/1991	Harroun	A61H 3/04 482/68
5,340,005	A	8/1994	Woods et al.	
5,511,710	A	4/1996	Woods et al.	
D369,578	S *	5/1996	Andolfi	D12/128
5,513,789	A	5/1996	Woods et al.	
D397,644	S *	9/1998	Douglass	D12/130
D430,079	S *	8/2000	Catron-Batts	D12/133
6,302,126	B1	10/2001	Nava	
D477,256	S *	7/2003	Mills	D12/133

(Continued)

1 Claim, 13 Drawing Sheets



(56)

References Cited

U.S. PATENT DOCUMENTS

D533,814	S	*	12/2006	Kende	D12/130
7,984,724	B1		7/2011	Eberle	
8,316,870	B2		11/2012	Morris	
D746,181	S	*	12/2015	Knopow	D12/130
D765,556	S	*	9/2016	Knopow	D12/130
D766,781	S	*	9/2016	Knopow	D12/130
D772,113	S	*	11/2016	Knopow	D12/130
D811,278	S	*	2/2018	Knopow	D12/130
D823,173	S	*	7/2018	Eikenberry	D12/130
D834,461	S	*	11/2018	Knopow	D12/130
2007/0277864	A1		12/2007	Sussman	
2007/0278271	A1		12/2007	Koren	

* cited by examiner

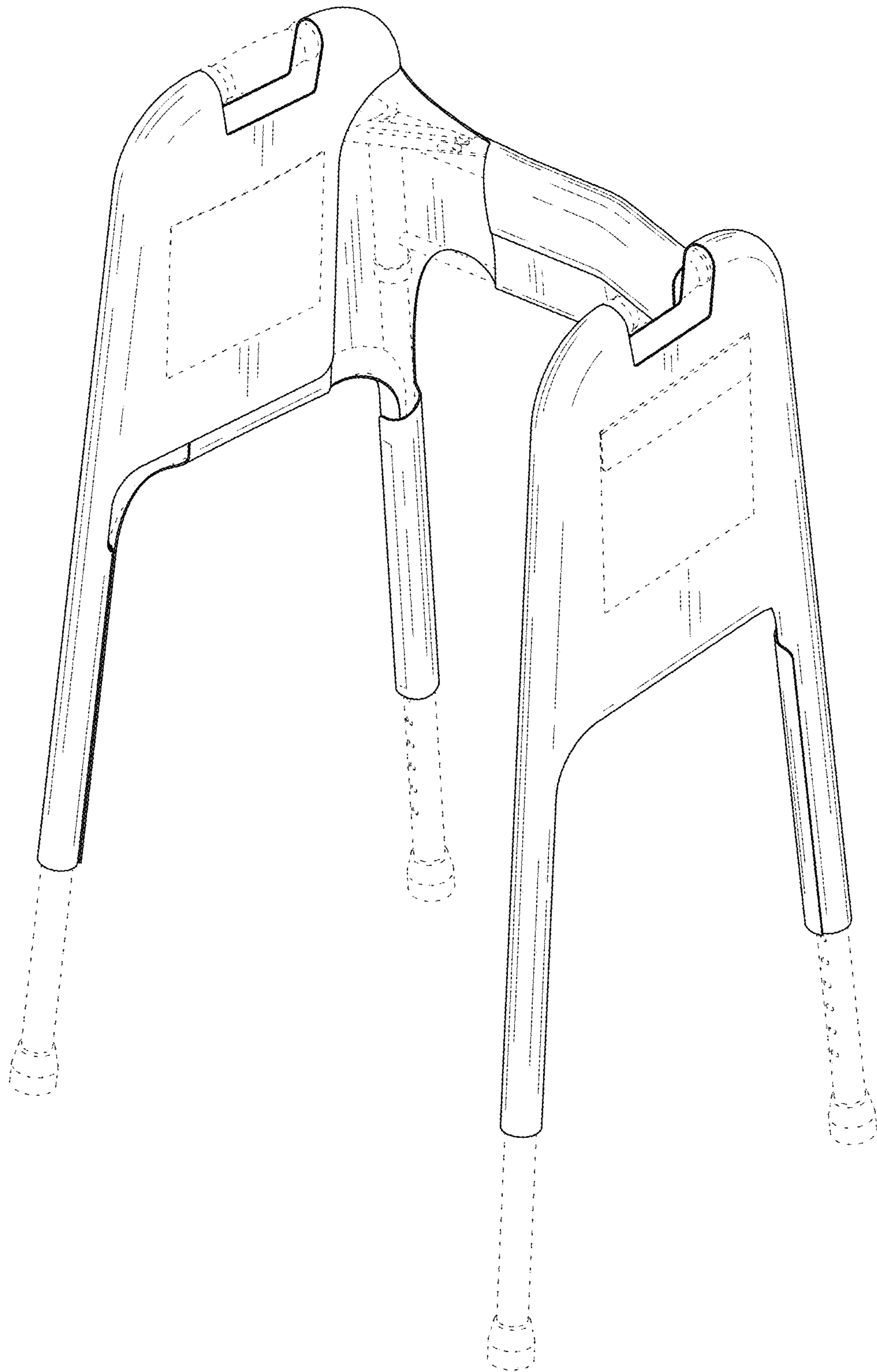


FIG. 1

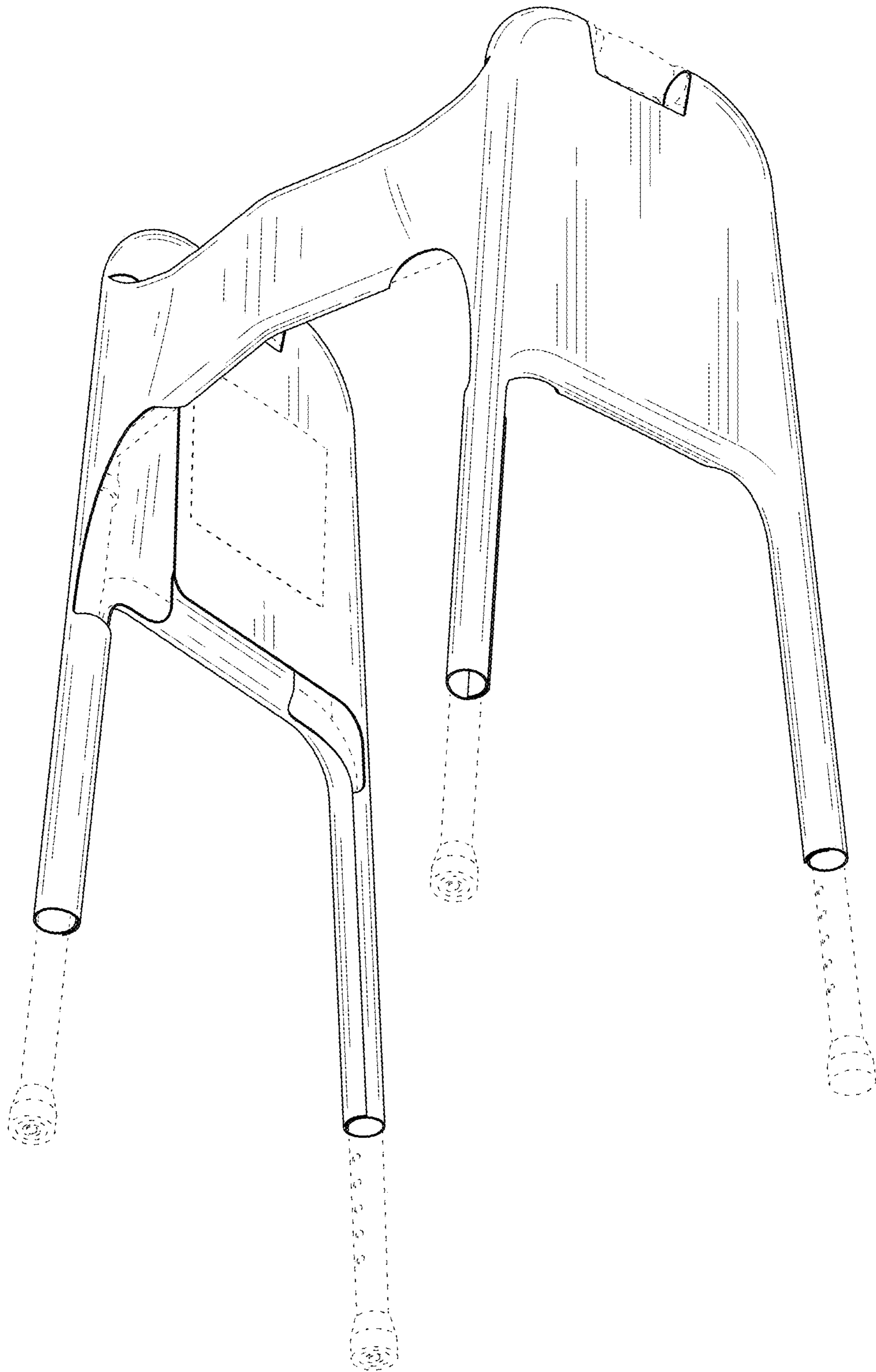


FIG. 2

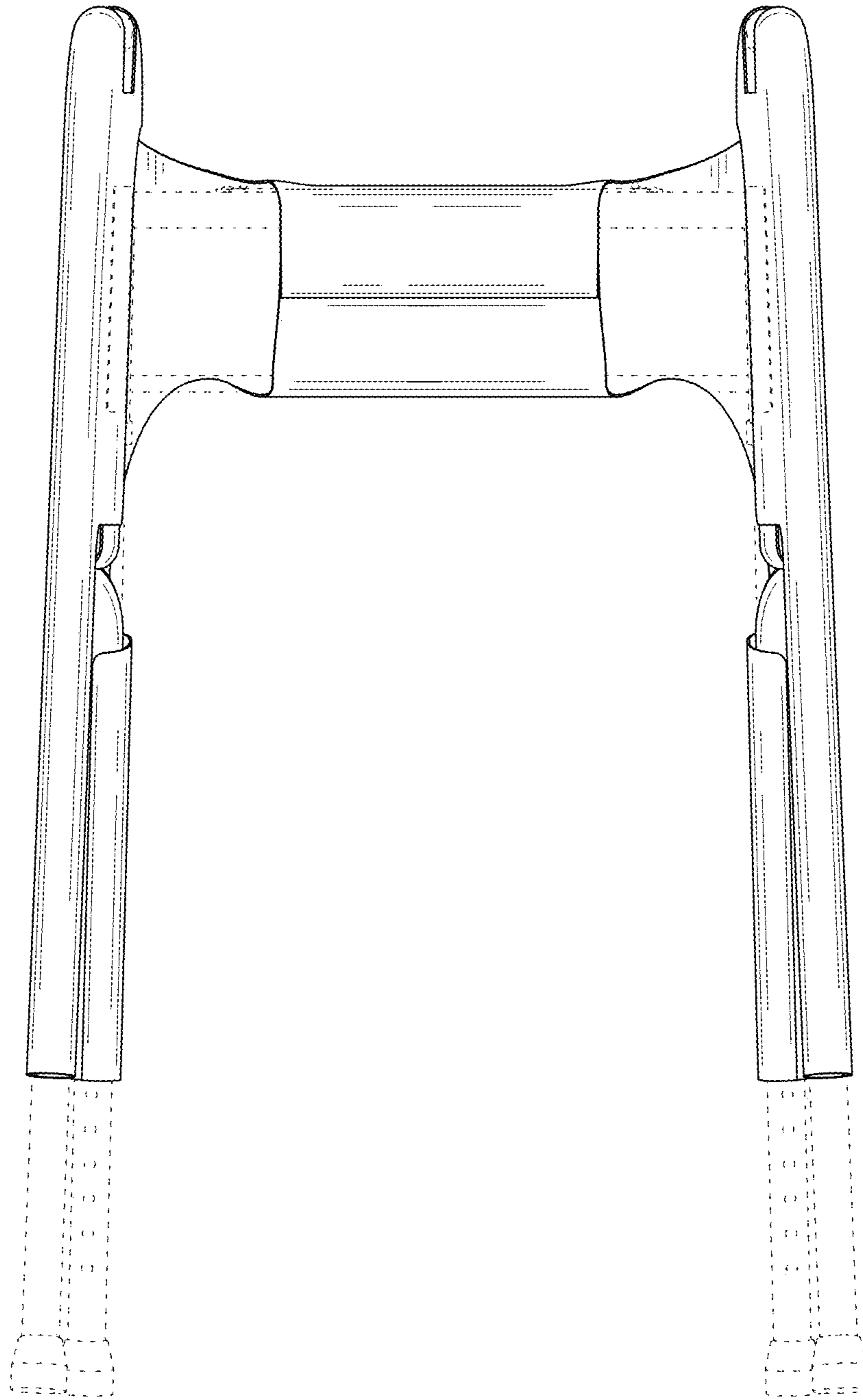


FIG. 3

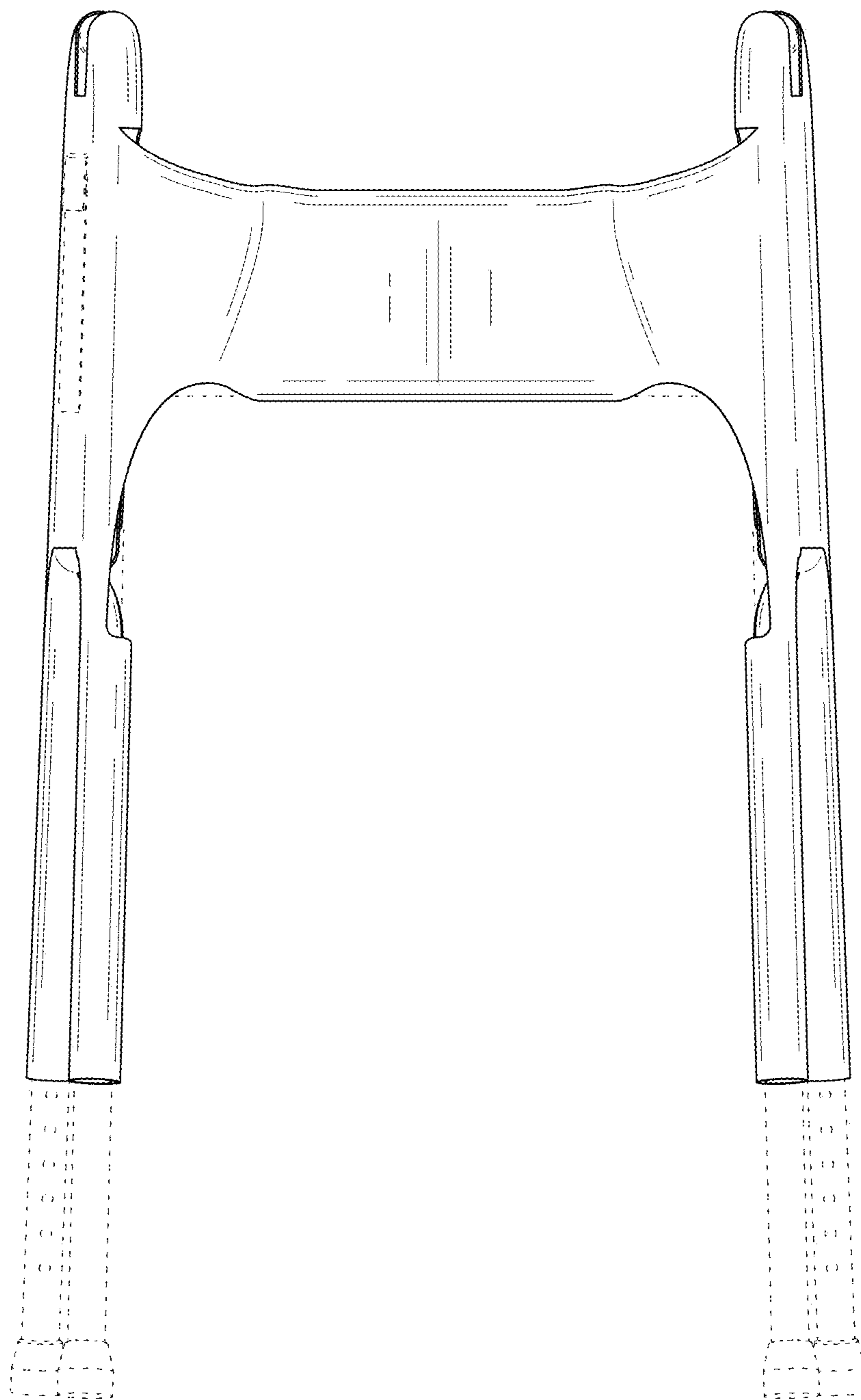


FIG. 4

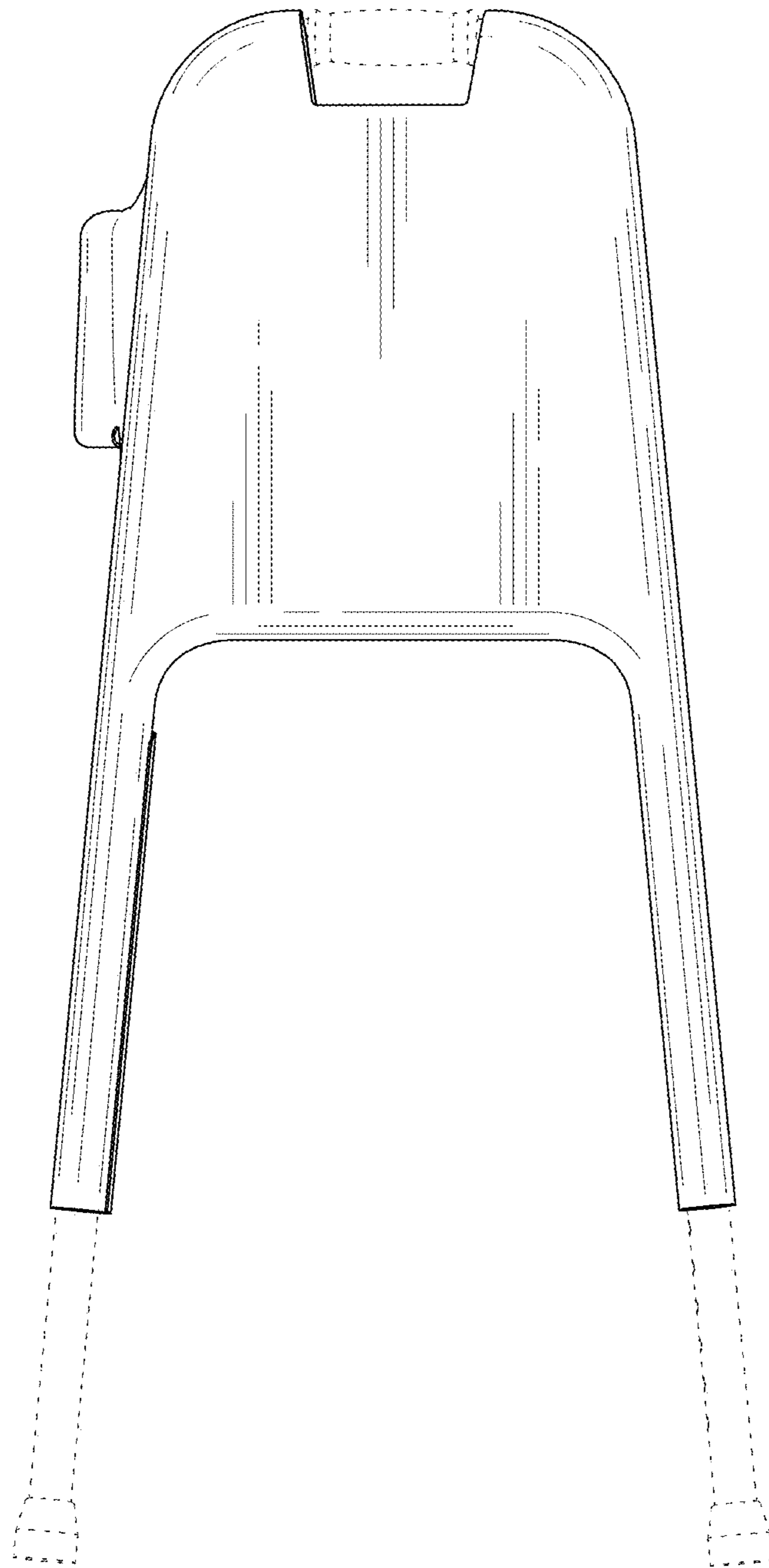


FIG. 5

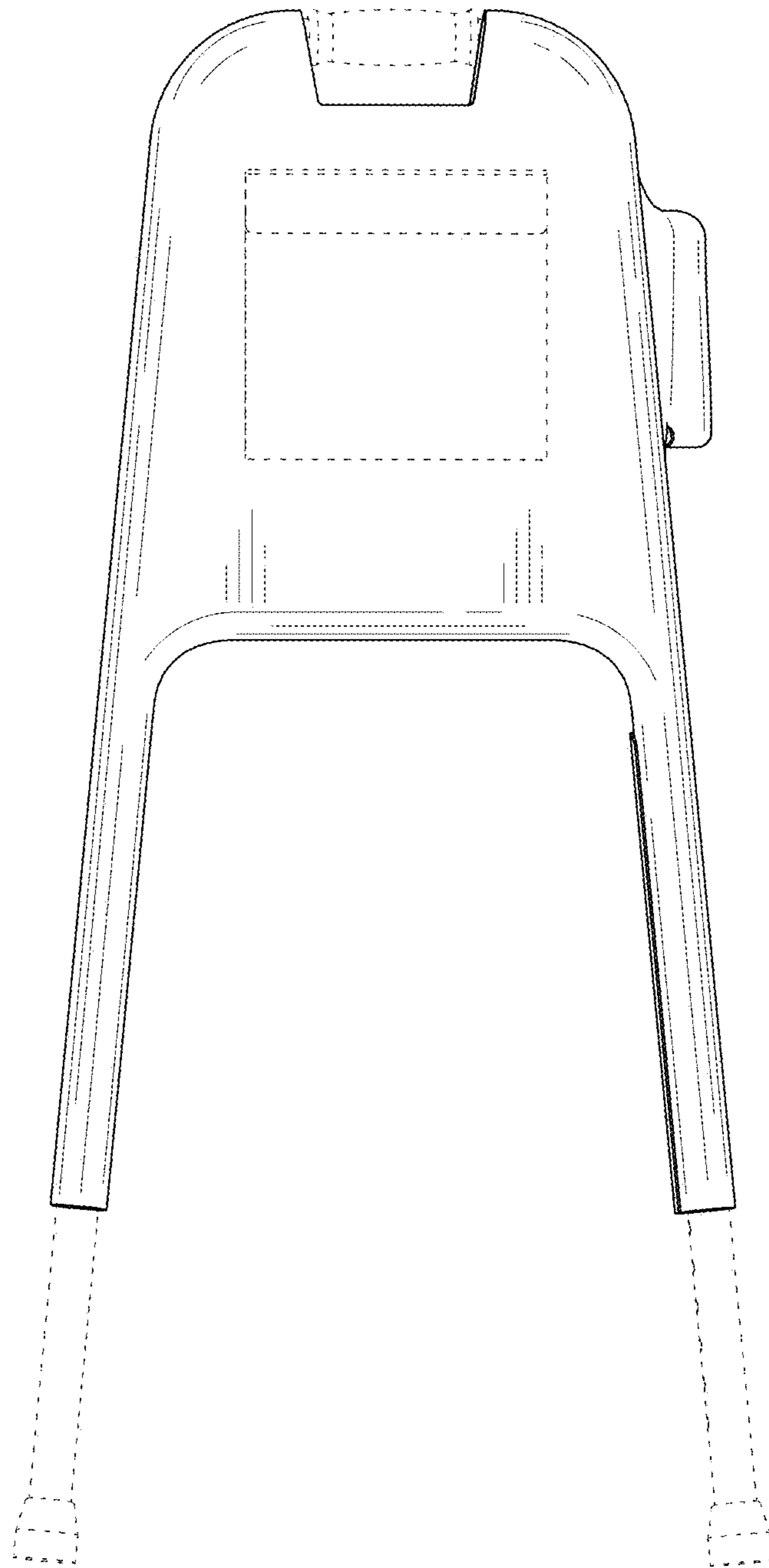


FIG. 6

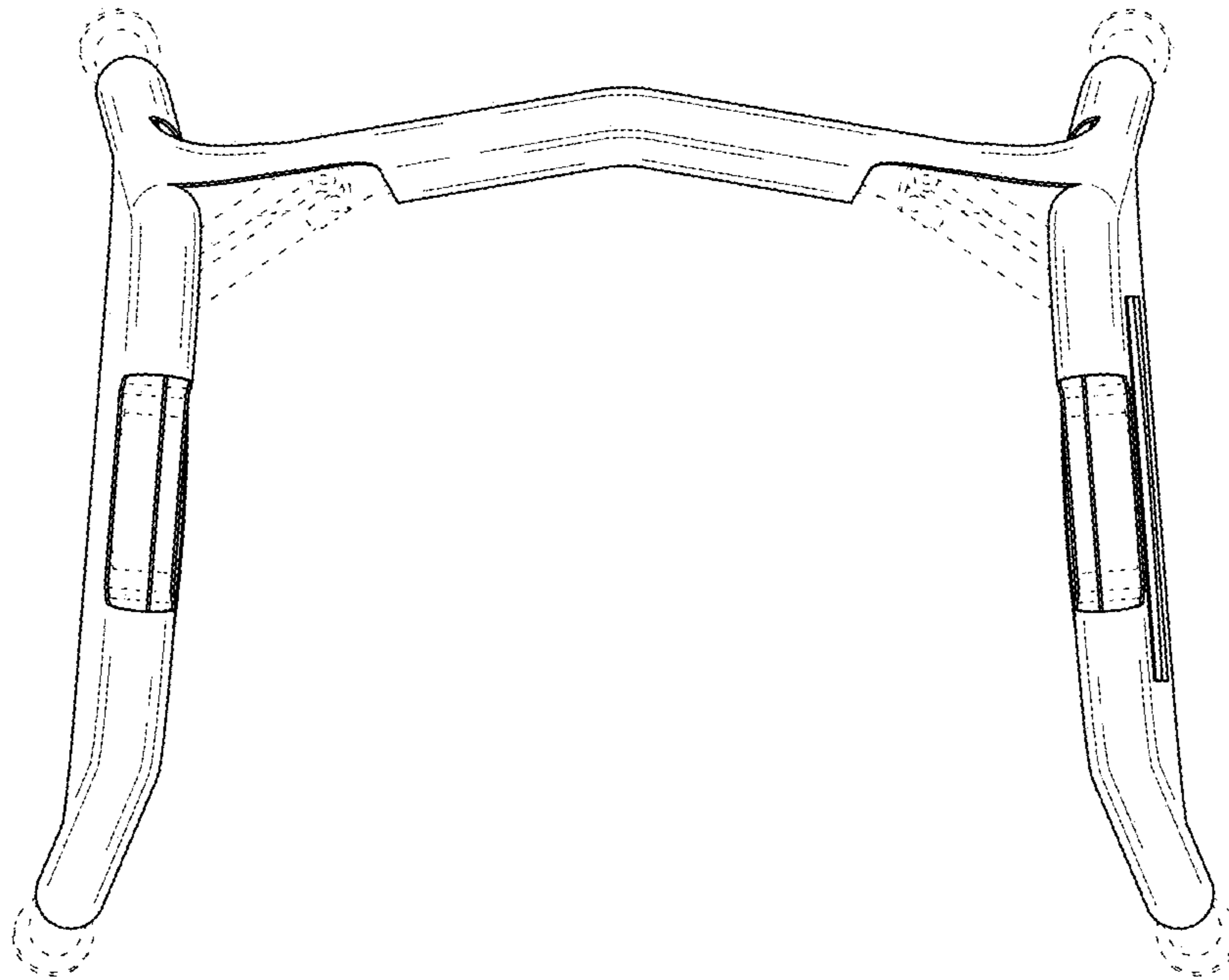


FIG. 7

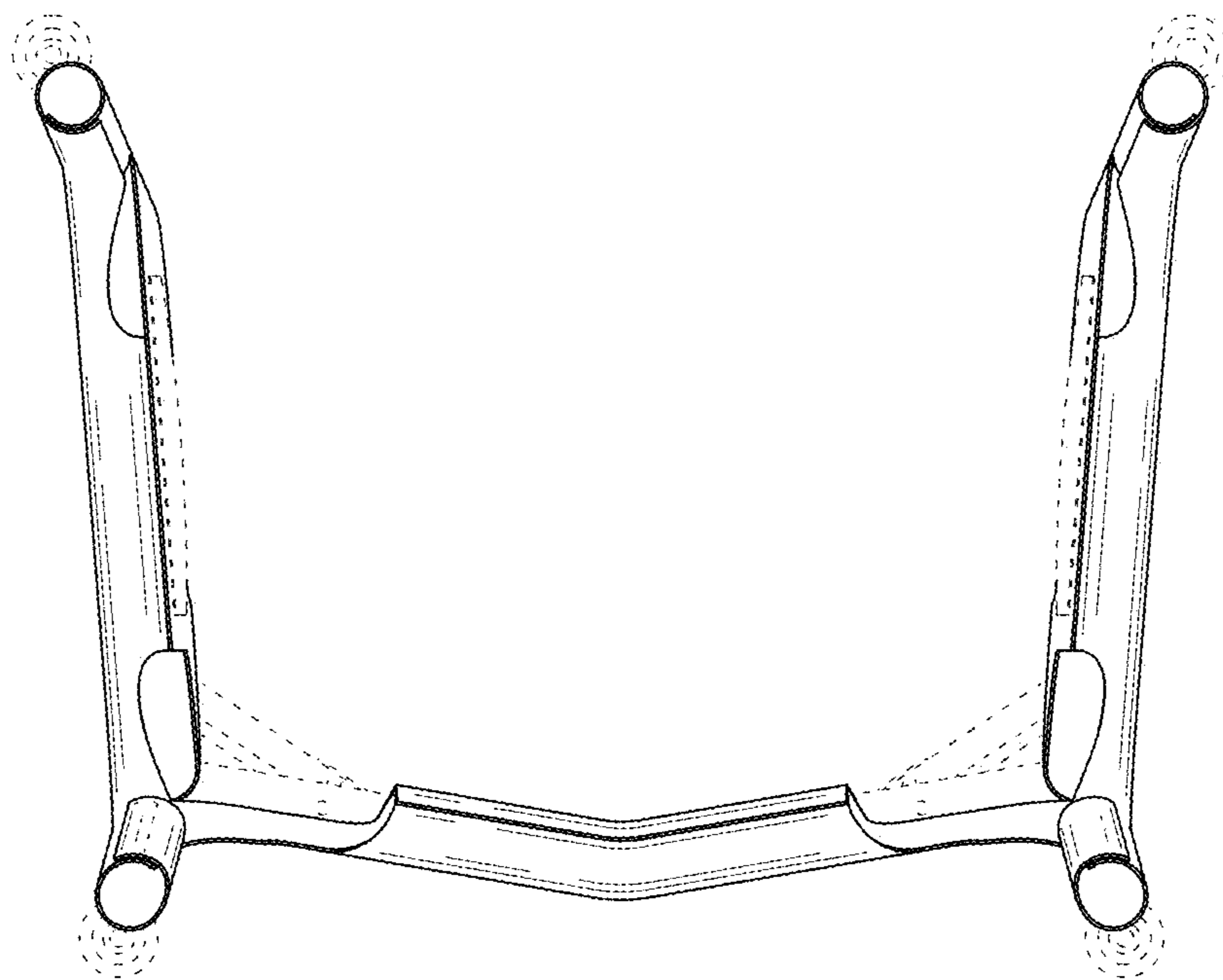


FIG. 8

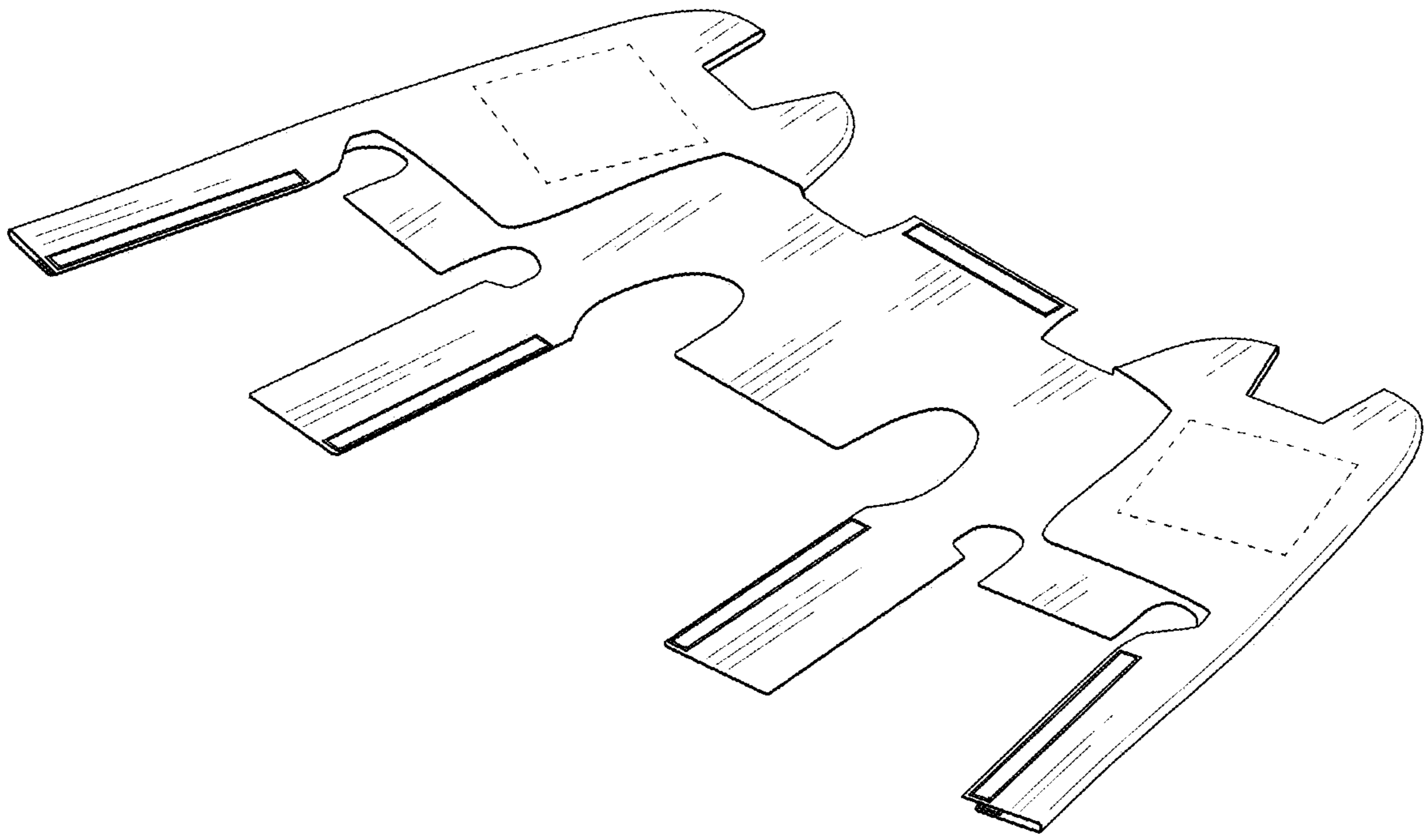


FIG. 9

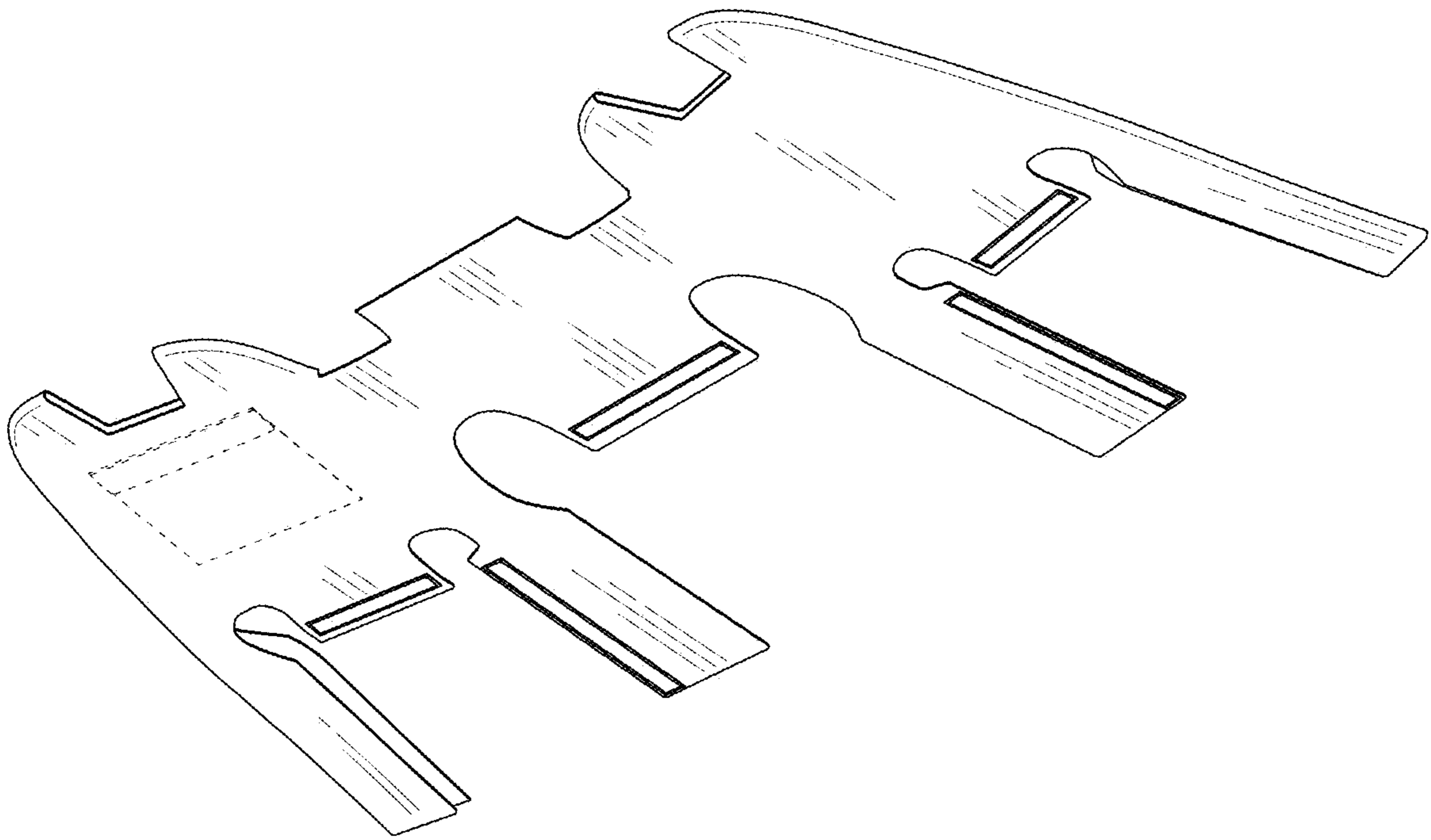


FIG. 10



FIG. 11



FIG. 12

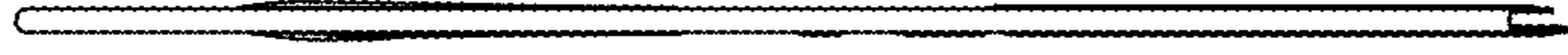


FIG. 13

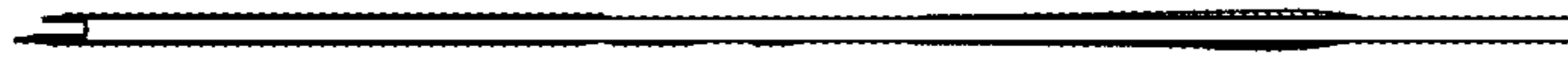


FIG. 14

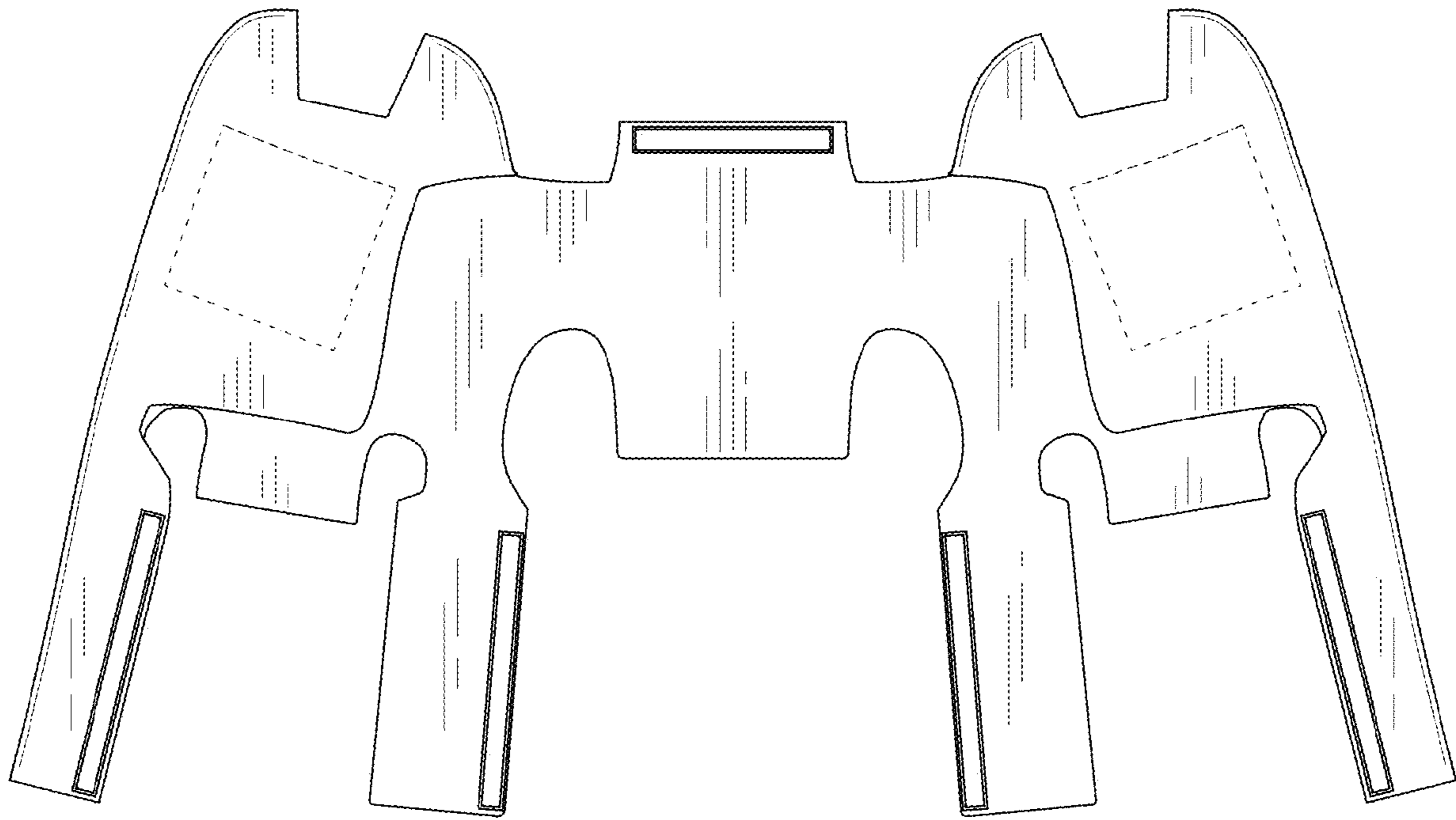


FIG. 15

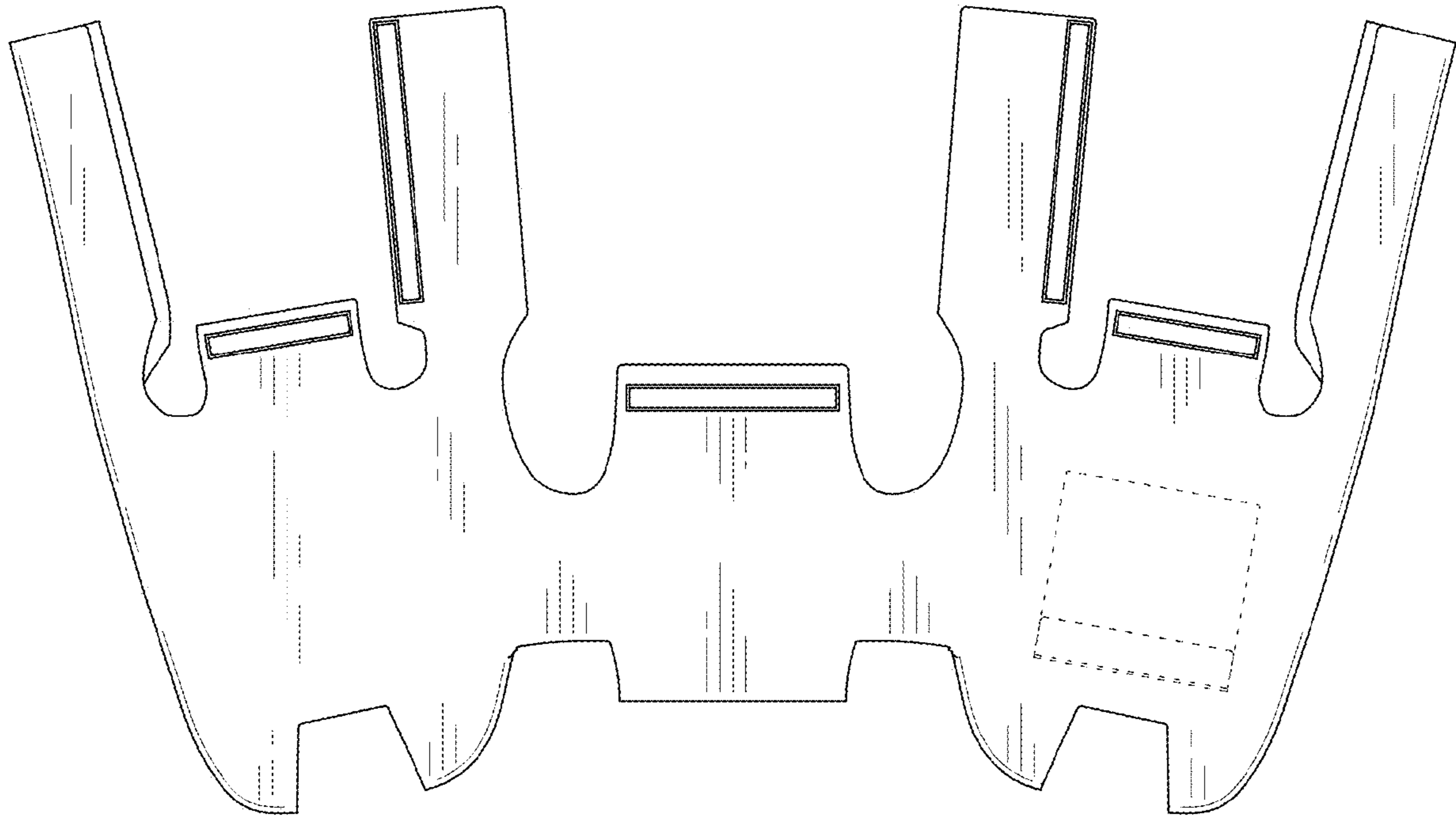


FIG. 16