



US00D959336S

(12) **United States Design Patent**
Liang

(10) **Patent No.:** **US D959,336 S**

(45) **Date of Patent:** **** Aug. 2, 2022**

- (54) **PEDAL BRACKET**
- (71) Applicant: **Foshan Yupinxi Trading Co., Ltd.**,
Guangdong (CN)
- (72) Inventor: **Jianzhao Liang**, Guangdong (CN)
- (**) Term: **15 Years**
- (21) Appl. No.: **29/827,784**
- (22) Filed: **Feb. 22, 2022**
- (51) **LOC (13) Cl.** **12-11**
- (52) **U.S. Cl.**
USPC **D12/114**
- (58) **Field of Classification Search**
USPC D12/114, 177, 178, 223, 400, 406, 407,
D12/411, 415; D8/396; D14/253
CPC B62J 6/00; B62J 11/00
See application file for complete search history.

- D617,689 S * 6/2010 Curran D12/123
- D647,434 S * 10/2011 Chambers B62J 50/225
D12/114
- D652,779 S * 1/2012 Richter D12/407
- D702,113 S * 4/2014 Weger D8/396
- D710,190 S * 8/2014 Weger D8/396
- D731,299 S * 6/2015 Sugiura D8/396
- D775,519 S * 1/2017 May D8/396
- D790,527 S * 6/2017 O'Neill D14/253
- D791,058 S * 7/2017 Laatz D8/396
- D850,899 S * 6/2019 Gridley D8/396
- D895,488 S * 9/2020 Corder D8/17
- D897,828 S * 10/2020 Lin D8/396
- D899,913 S * 10/2020 Feldman D8/382

(Continued)

Primary Examiner — Darlington Ly
(74) *Attorney, Agent, or Firm* — Che-Yang Chen; Law
Office of Michael Chen

(56) **References Cited**

U.S. PATENT DOCUMENTS

- 2,706,418 A * 4/1955 Liljenberg B62M 3/08
74/594.4
- 4,819,500 A * 4/1989 Musumiya G05G 1/46
74/513
- D318,607 S * 7/1991 Reid D8/363
- D354,724 S * 1/1995 Boone D12/125
- D391,218 S * 2/1998 Pingel D12/114
- D396,835 S * 8/1998 Roddy D12/178
- D426,175 S * 6/2000 Chin-Fong D12/114
- D430,075 S * 8/2000 Kirimoto D12/123
- D432,055 S * 10/2000 Kirimoto D12/123
- 6,264,396 B1 * 7/2001 Dobrovolny A61B 17/0206
403/384
- 6,653,540 B2 * 11/2003 Izen G10D 13/02
84/421
- 7,191,988 B2 * 3/2007 Kim F16L 3/085
248/68.1
- D580,262 S * 11/2008 Eason F16B 7/0493
D17/22
- D610,049 S * 2/2010 Curran D12/123

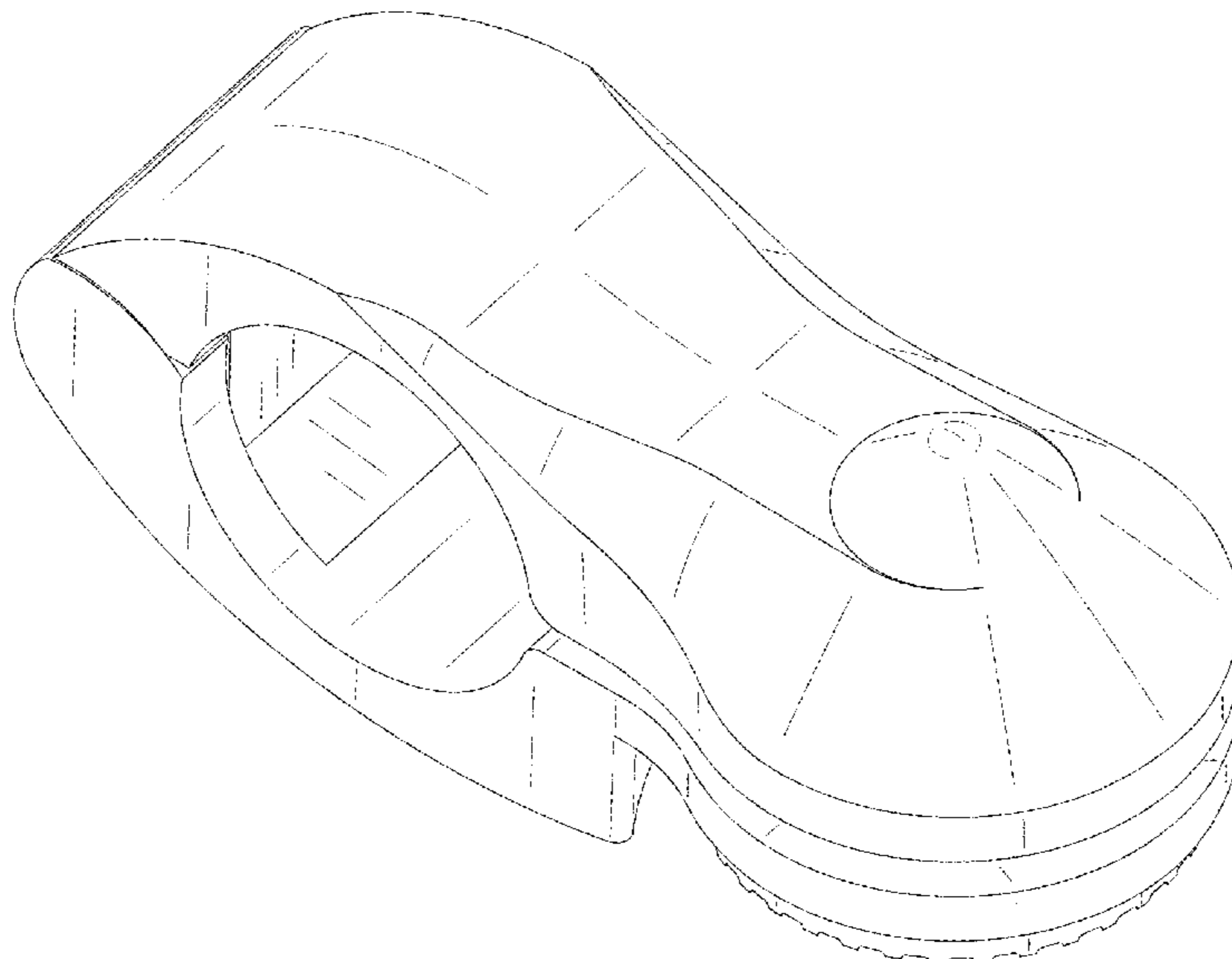
(57) **CLAIM**

The ornamental design for a pedal bracket, as shown and described.

DESCRIPTION

FIG. 1 is a perspective view of the pedal bracket showing my new design;
FIG. 2 is a perspective view thereof from another angle;
FIG. 3 is a front elevational view thereof;
FIG. 4 is a rear elevational view thereof;
FIG. 5 is a left side elevational view thereof;
FIG. 6 is a right side elevational view thereof;
FIG. 7 is a top plan view thereof;
FIG. 8 is a bottom plan view thereof; and,
FIG. 9 is a perspective view of the pedal bracket where the pedal bracket is in use.
The broken lines shown in the drawings are included for the purpose of illustrating portions of the pedal bracket that form no part of the claimed design.

1 Claim, 9 Drawing Sheets



(56)

References Cited

U.S. PATENT DOCUMENTS

D903,536 S * 12/2020 Haag D12/114
D915,245 S * 4/2021 Nagano D12/114
D917,272 S * 4/2021 Ripert D8/396
D924,468 S * 7/2021 Huang D26/138
D930,514 S * 9/2021 Hsu D12/123
D933,741 S 10/2021 Guyre
2012/0305614 A1* 12/2012 Lee F16M 13/02
224/545
2021/0316816 A1* 10/2021 Marinier B62M 3/08
2021/0347438 A1* 11/2021 Hickernell B62M 3/08

* cited by examiner

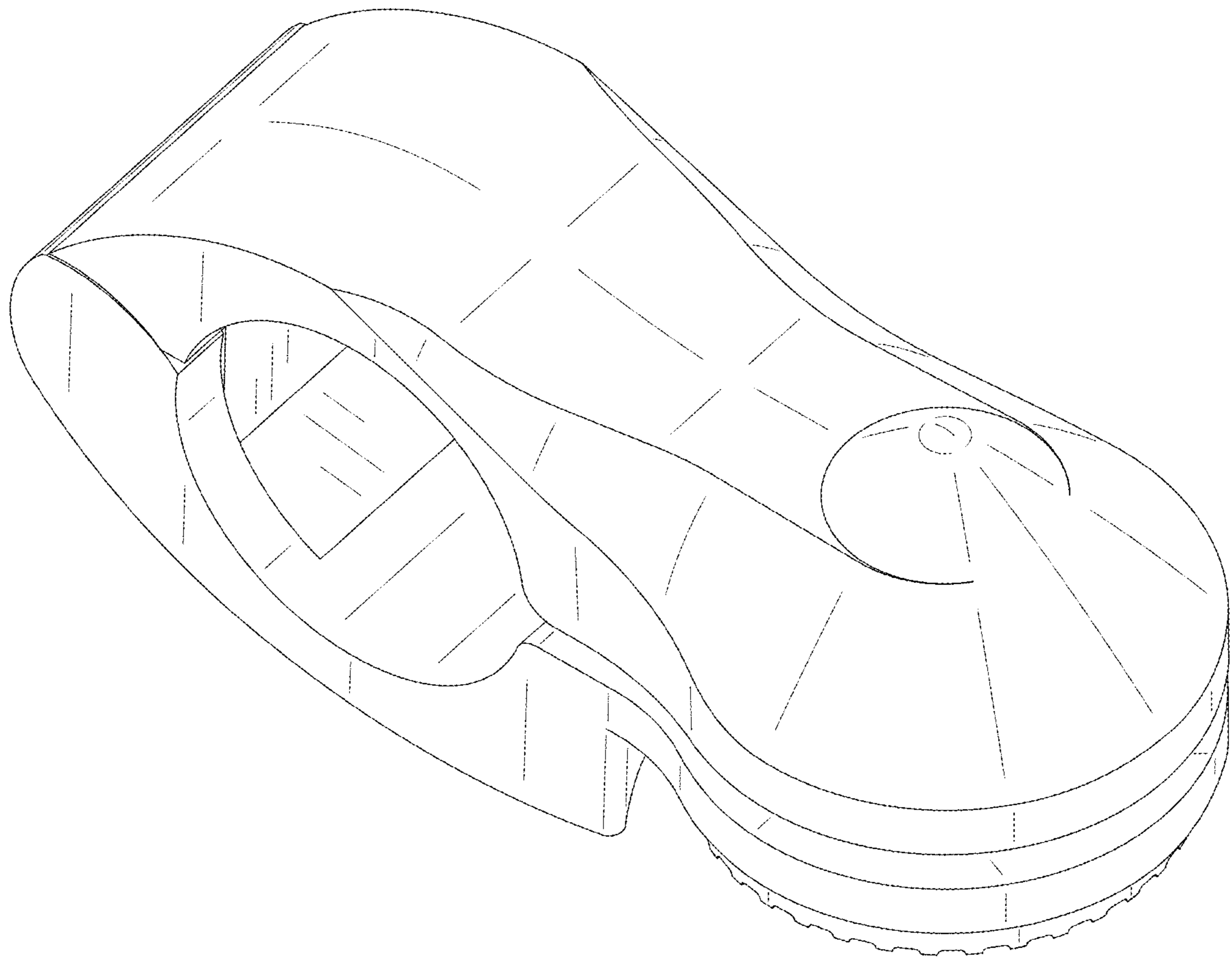


FIG. 1

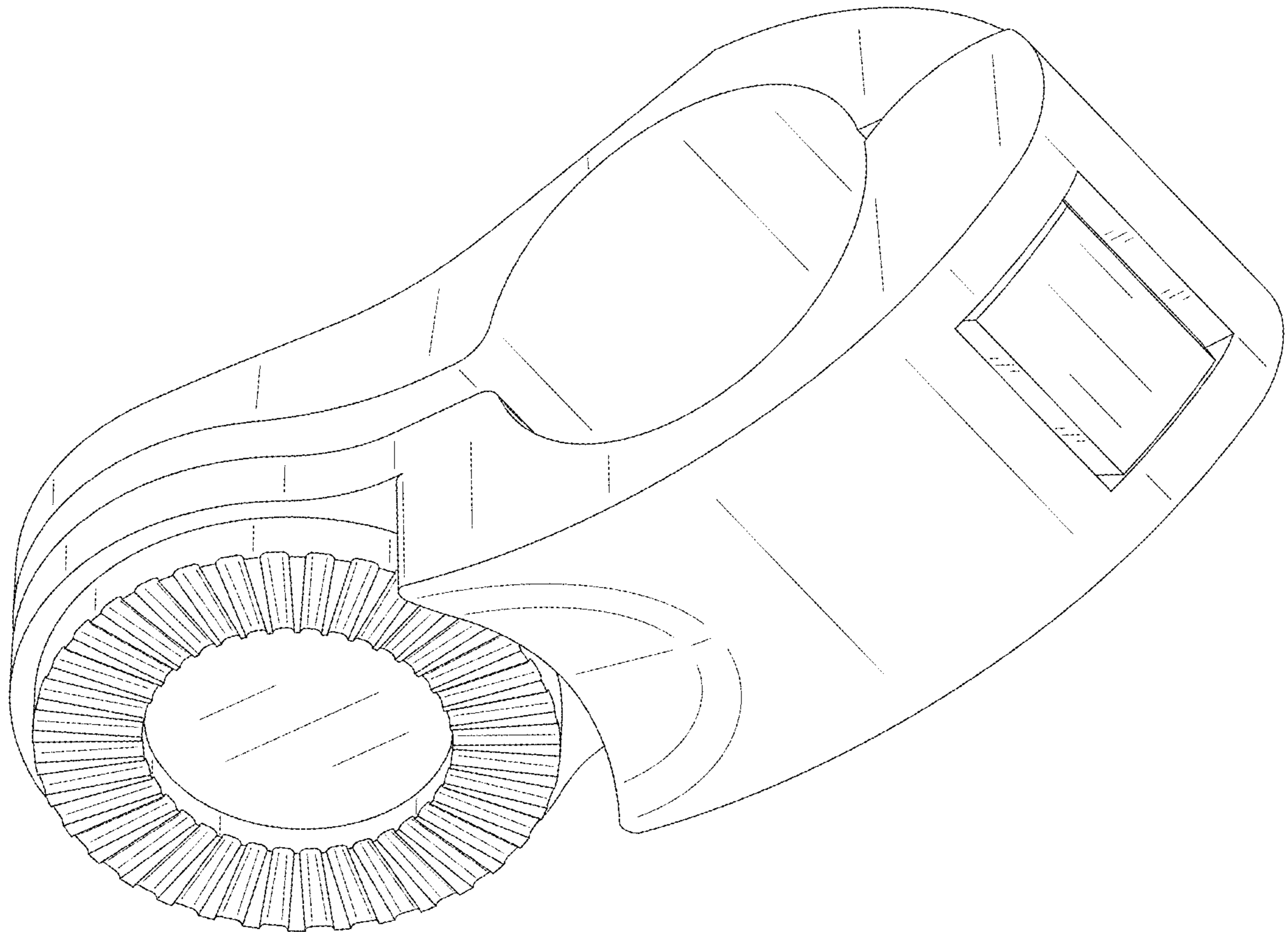


FIG. 2

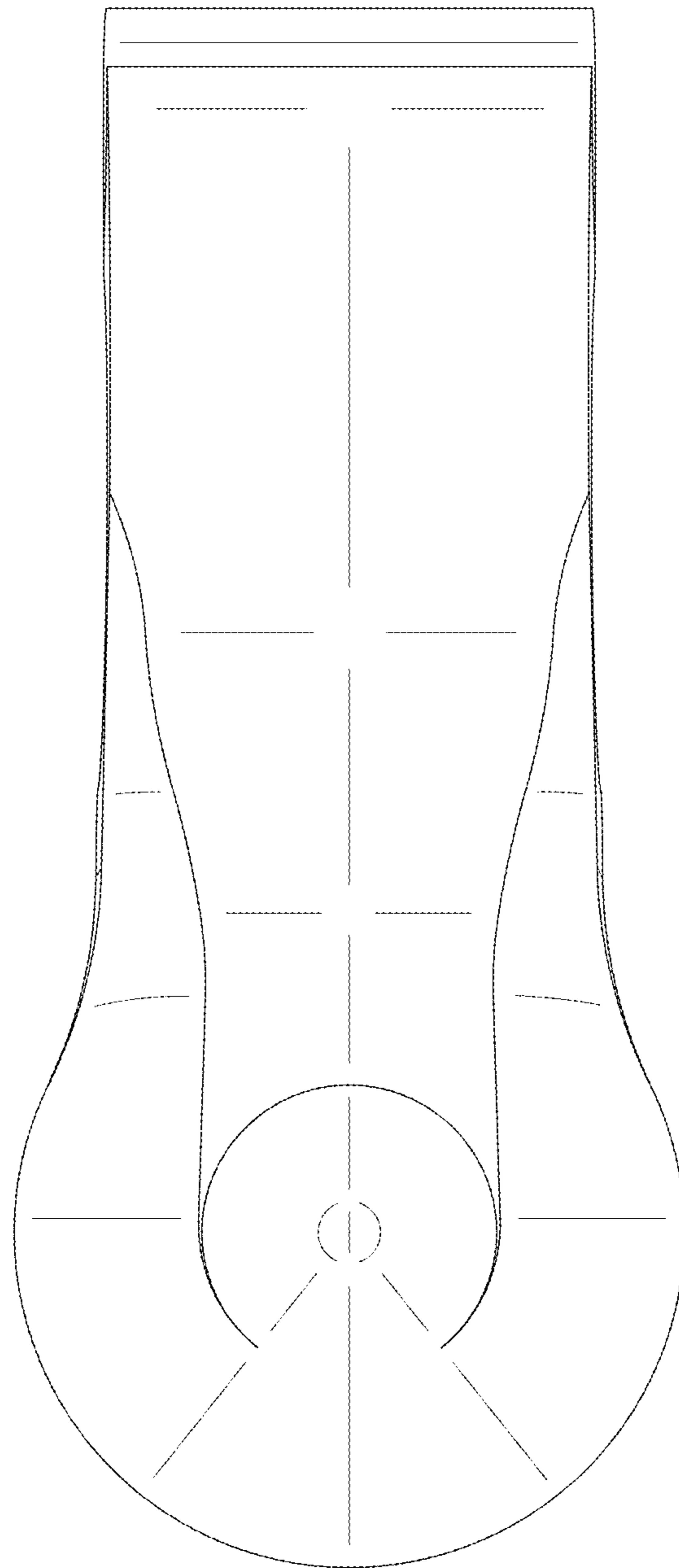


FIG. 3

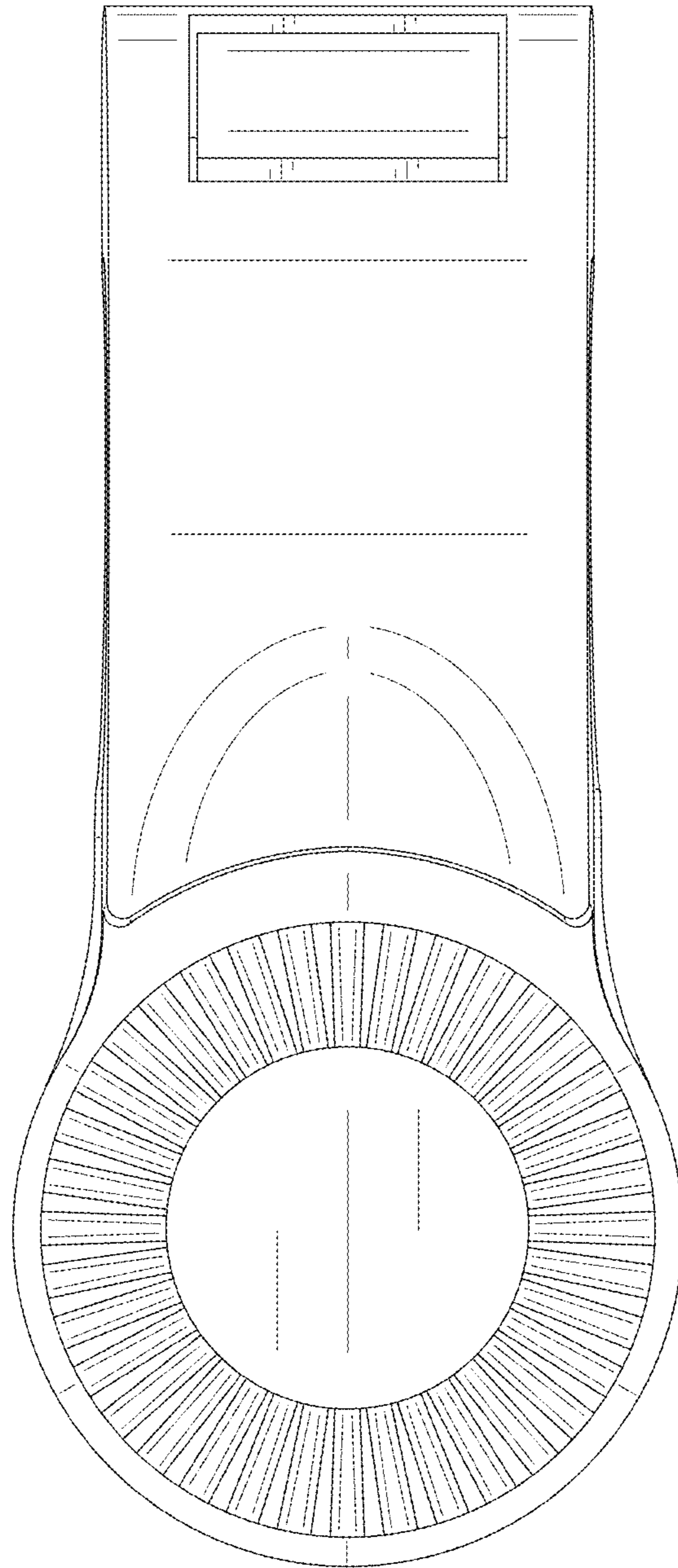


FIG. 4

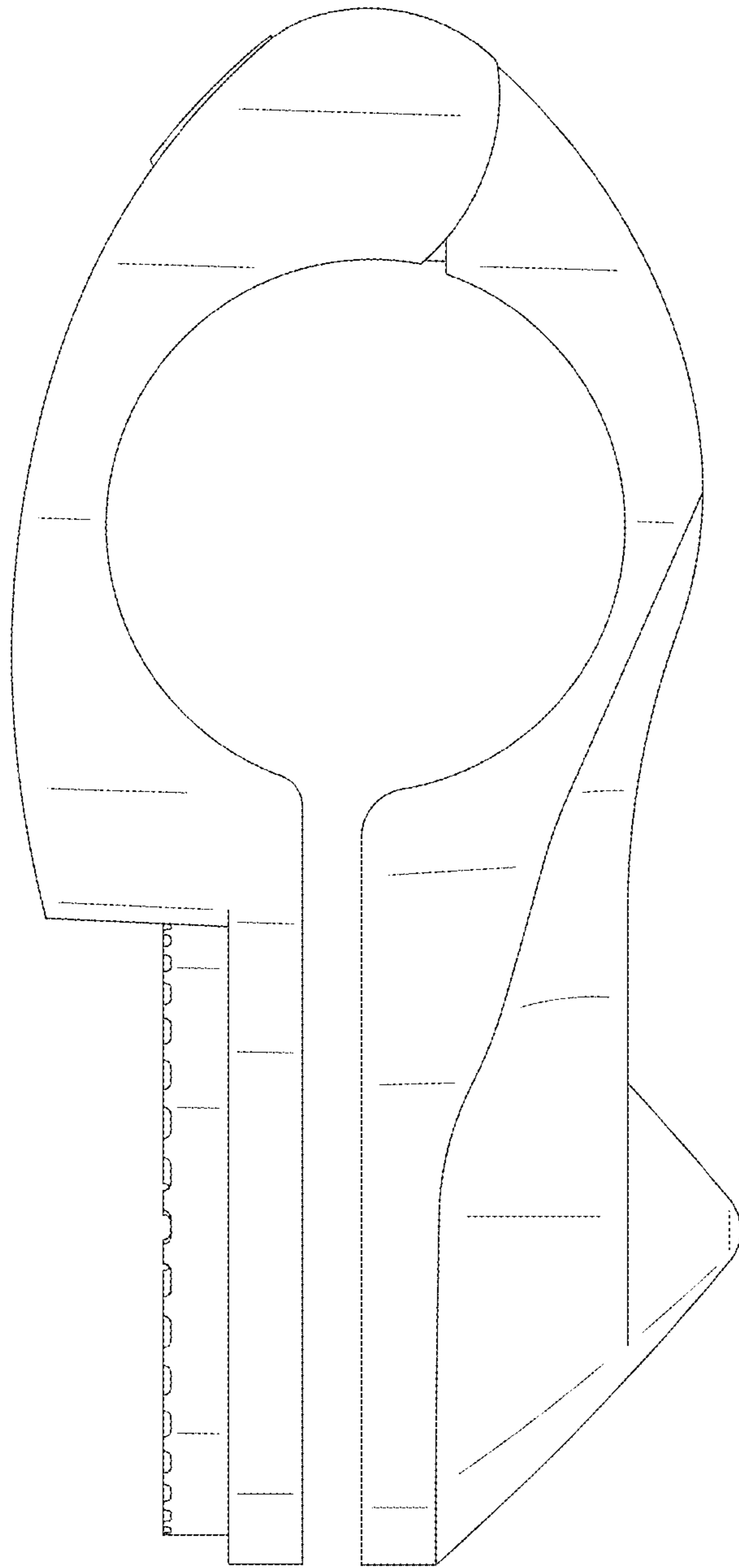


FIG. 5

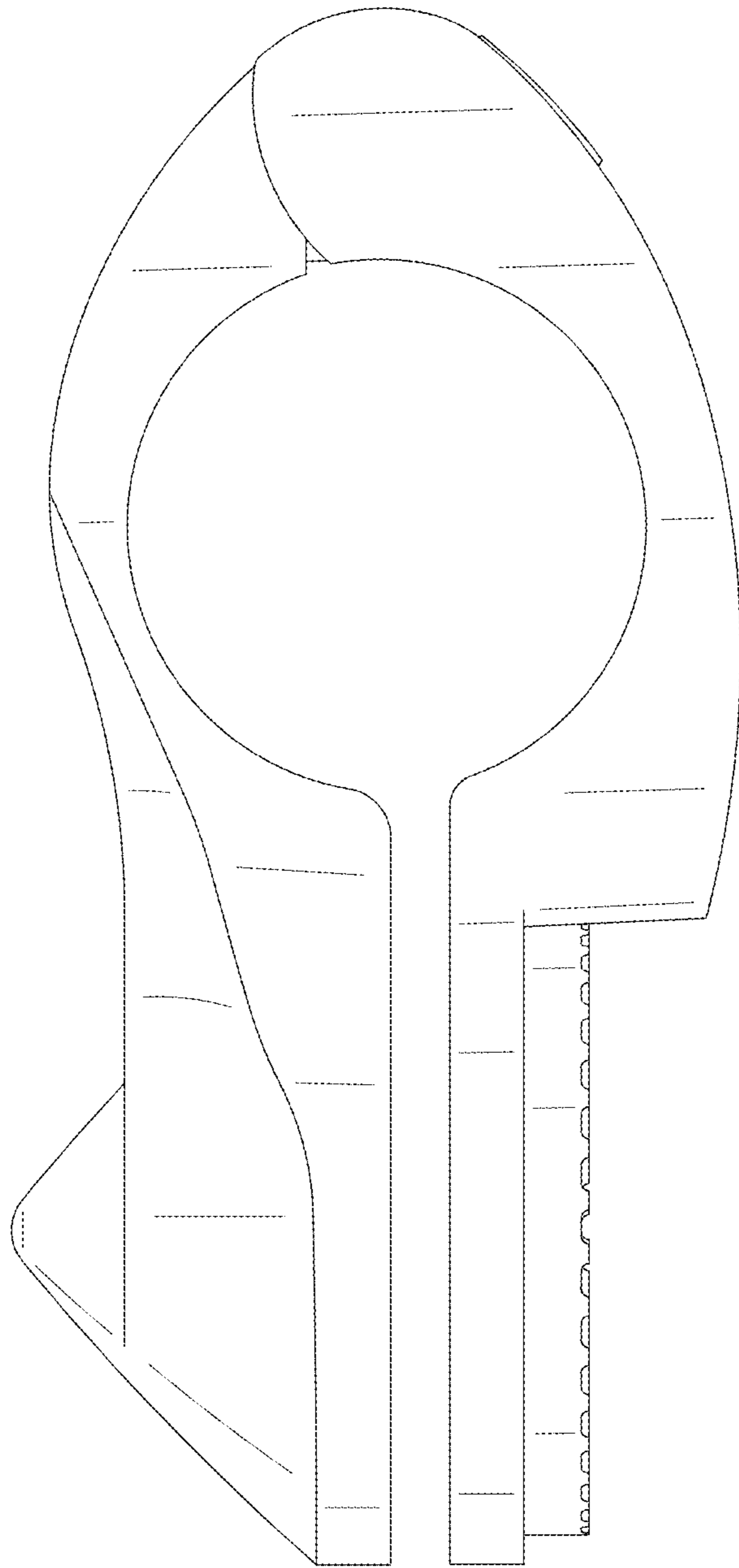


FIG. 6

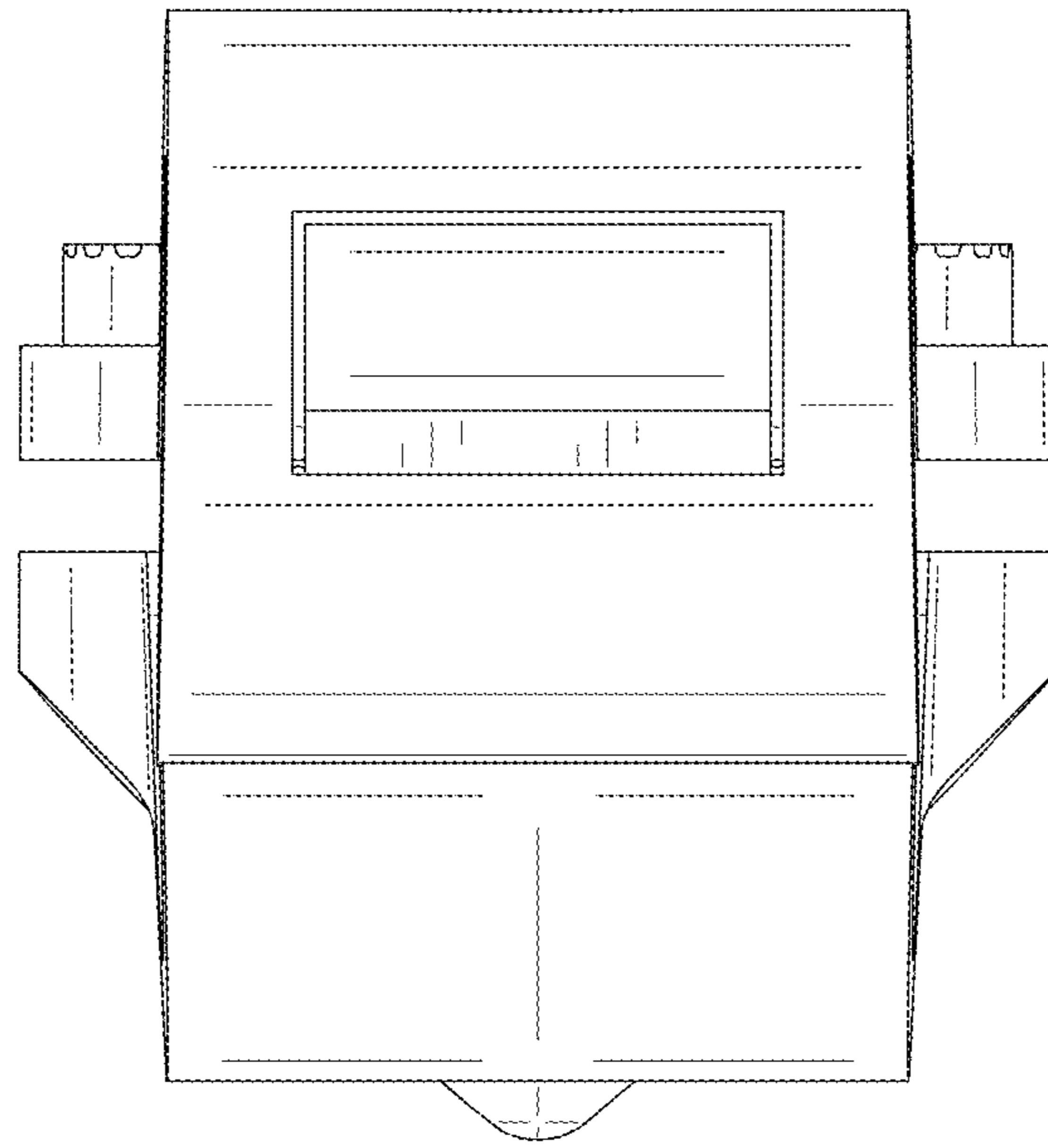


FIG. 7

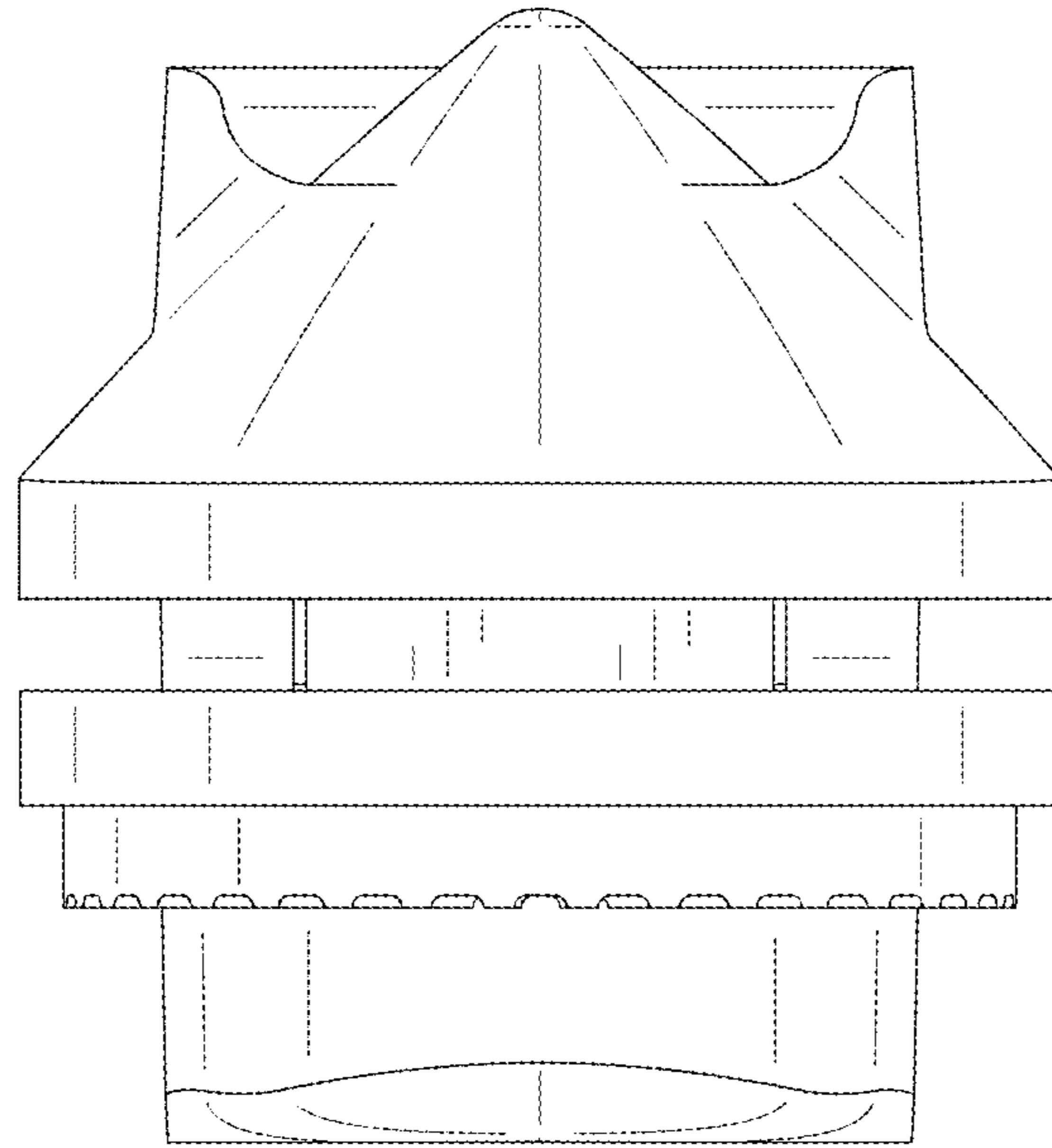


FIG. 8

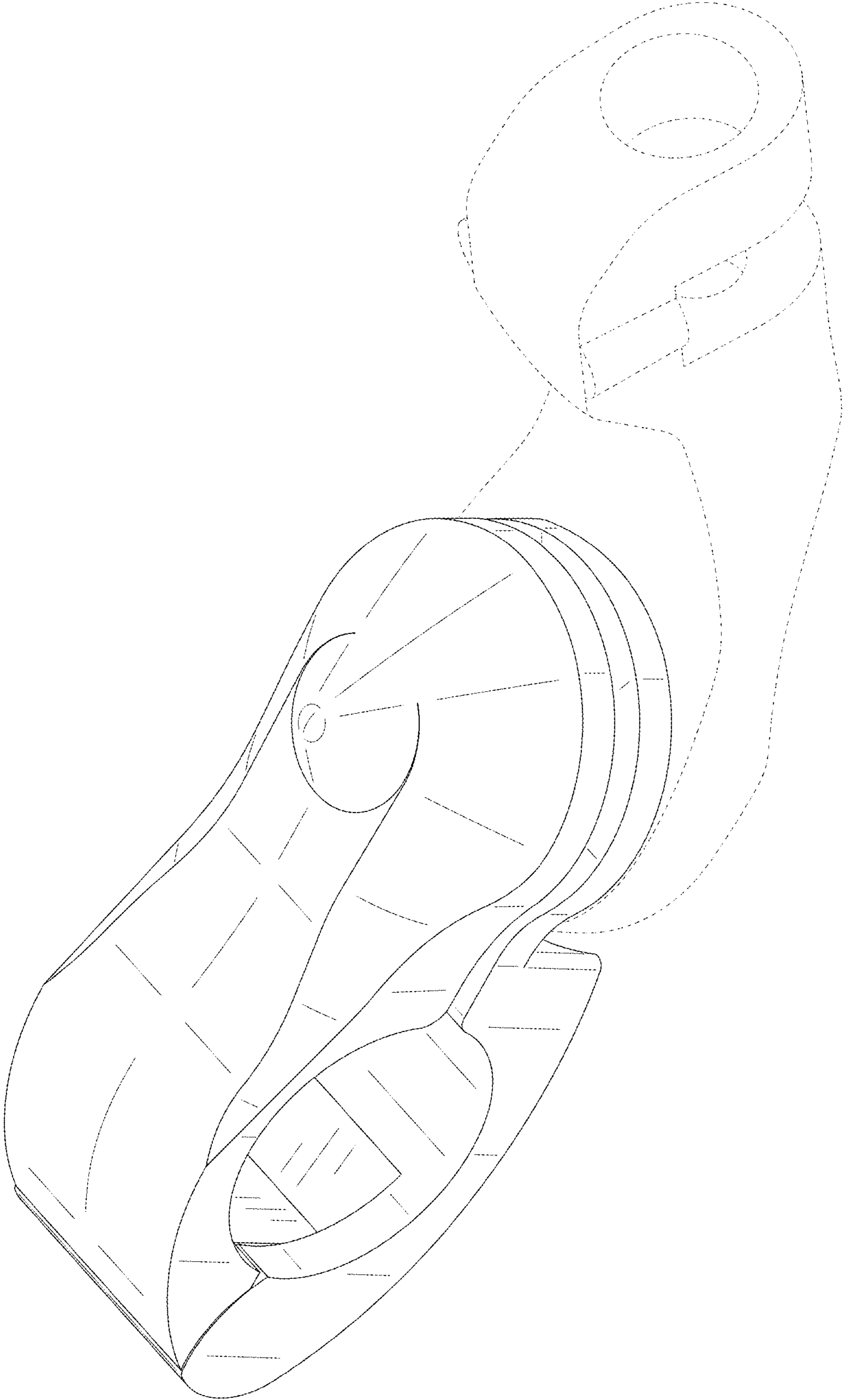


FIG. 9