



US00D959334S

(12) **United States Design Patent** (10) **Patent No.:** **US D959,334 S**
Sakata et al. (45) **Date of Patent:** **** Aug. 2, 2022**

(54) **MOTORCYCLE**
(71) Applicant: **YAMAHA HATSUDOKI**
KABUSHIKI KAISHA, Shizuoka-ken
(JP)
(72) Inventors: **Isao Sakata**, Tokyo (JP); **Kenshi**
Yonaha, Shizuoka-ken (JP)
(73) Assignee: **YAMAHA HATSUDOKI**
KABUSHIKI KAISHA
(**) Term: **15 Years**

D755,084 S * 5/2016 Sakata D12/110
D755,680 S * 5/2016 Yashuhara D12/110
D755,681 S * 5/2016 Martin D12/110
D755,682 S * 5/2016 Hahn-Woernle D12/110
D756,268 S * 5/2016 Yamada D12/110
D758,923 S * 6/2016 Yamada D12/110
D758,924 S * 6/2016 Tamura D12/110
D782,368 S * 3/2017 Fujimoto D12/110
D795,746 S * 8/2017 Akita D12/110
D797,002 S * 9/2017 Toyama D12/110
D797,608 S * 9/2017 Tachibana D12/110
D801,230 S * 10/2017 Endo D12/110
D807,231 S * 1/2018 Petersson D12/110
D815,566 S * 4/2018 Oyanagi D12/110
D817,230 S * 5/2018 Tamura D12/110
D821,269 S * 6/2018 Sasanami D12/110

(Continued)

(21) Appl. No.: **29/772,013**

(22) Filed: **Feb. 26, 2021**

(30) **Foreign Application Priority Data**

Aug. 31, 2020 (JP) 2020-018252

(51) **LOC (13) Cl.** **12-11**

(52) **U.S. Cl.**
USPC **D12/110**

(58) **Field of Classification Search**
USPC D12/110, 111, 117; D21/432, 538
CPC B62K 11/00; B62K 11/02; B62K 11/04;
B62K 11/10; B62K 17/00; B62K 19/00;
B62K 2202/00

See application file for complete search history.

(56) **References Cited**

U.S. PATENT DOCUMENTS

D606,906 S * 12/2009 Chosa D12/110
D611,881 S * 3/2010 Toriyama D12/110
D643,341 S * 8/2011 Uchiyama D12/110
D647,825 S * 11/2011 Shibuta D12/110
D670,204 S * 11/2012 Yasuhara D12/110
D686,538 S * 7/2013 Nagao D12/110
D688,982 S * 9/2013 Oyanagi D12/110
D689,406 S * 9/2013 Yasuhara D12/110

OTHER PUBLICATIONS

“2022 Yamaha Tracer G GT.” Yamaha., Nov. 21, 2021 [online],
[retrieved on Apr. 5, 2022], Retrieved from the Internet <URL:
https://cdn2.yamaha-motor.eu/prod/product-assets/2021/MT09TRGT/Factsheets/2021-MT09TRGT_en.pdf>.*

(Continued)

Primary Examiner — Darlington Ly
(74) *Attorney, Agent, or Firm* — Ostrolenk Faber LLP

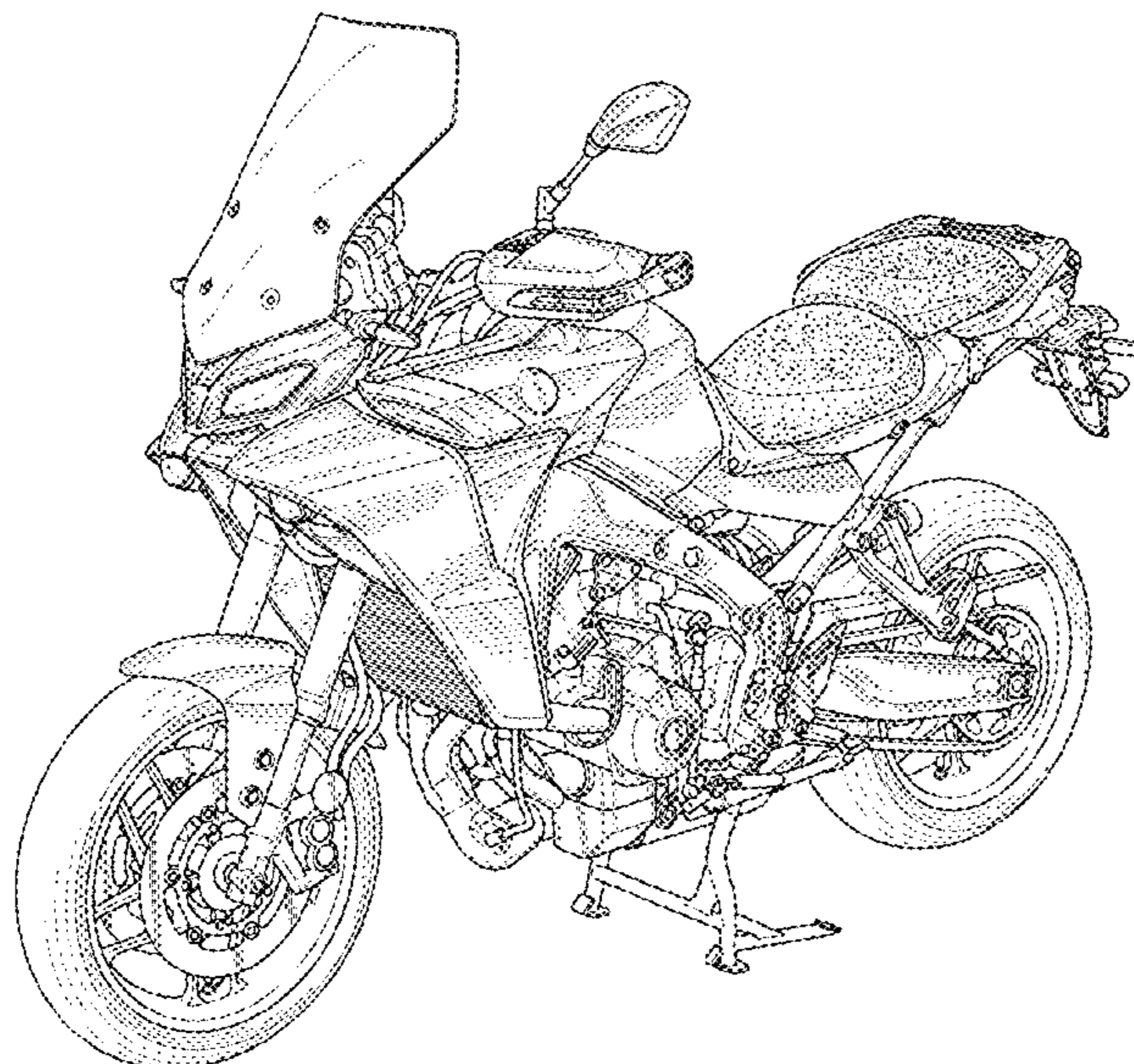
(57) **CLAIM**

The ornamental design for a motorcycle, as shown.

DESCRIPTION

FIG. 1 is a front, left side, perspective view of a motorcycle showing our new design;
FIG. 2 is a rear, right side, perspective view thereof;
FIG. 3 is a front elevation view thereof;
FIG. 4 is a rear elevation view thereof;
FIG. 5 is a right side elevation view thereof;
FIG. 6 is a left side elevation view thereof; and,
FIG. 7 is a top plan view thereof.

1 Claim, 7 Drawing Sheets



(56)

References Cited

U.S. PATENT DOCUMENTS

D847,031	S	*	4/2019	Kobayashi	D12/110
D849,602	S	*	5/2019	Oyanagi	D12/110
D871,976	S	*	1/2020	Martin	D12/110
D874,985	S	*	2/2020	Shigihara	D12/110
D875,615	S	*	2/2020	Martin	D12/110
D875,616	S	*	2/2020	Martin	D12/110
D875,617	S	*	2/2020	Nagase	D12/110
D876,990	S	*	3/2020	Yoshitomi	D12/110
D884,562	S	*	5/2020	Usami	D12/110
D902,083	S	*	11/2020	Arru	D12/110
D911,223	S	*	2/2021	Kinoshita	D12/110

OTHER PUBLICATIONS

Jensen Beeler. "The 2021 Kawasaki Ninja ZX-10RR—\$29,000 & Only 500 Will Be Made." *Asphalt & Rubber*, Nov. 23, 2020 [online], [retrieved on Apr. 5, 2022], Retrieved from the Internet <URL: <https://www.asphaltandrubber.com/bikes/2021-kawasaki-ninja-zx-10rr/>>.*

Greg Drevenstedt. "2021 Yamaha Tracer 9 GT | Road Test Review." *Rider Motorcycling at its best.*, Jan. 5, 2022 [online], [retrieved on Apr. 5, 2022], Retrieved from the Internet <URL: <https://ridermagazine.com/2022/01/05/2021-yamaha-tracer-9-gt-road-test-review/>>.*

* cited by examiner

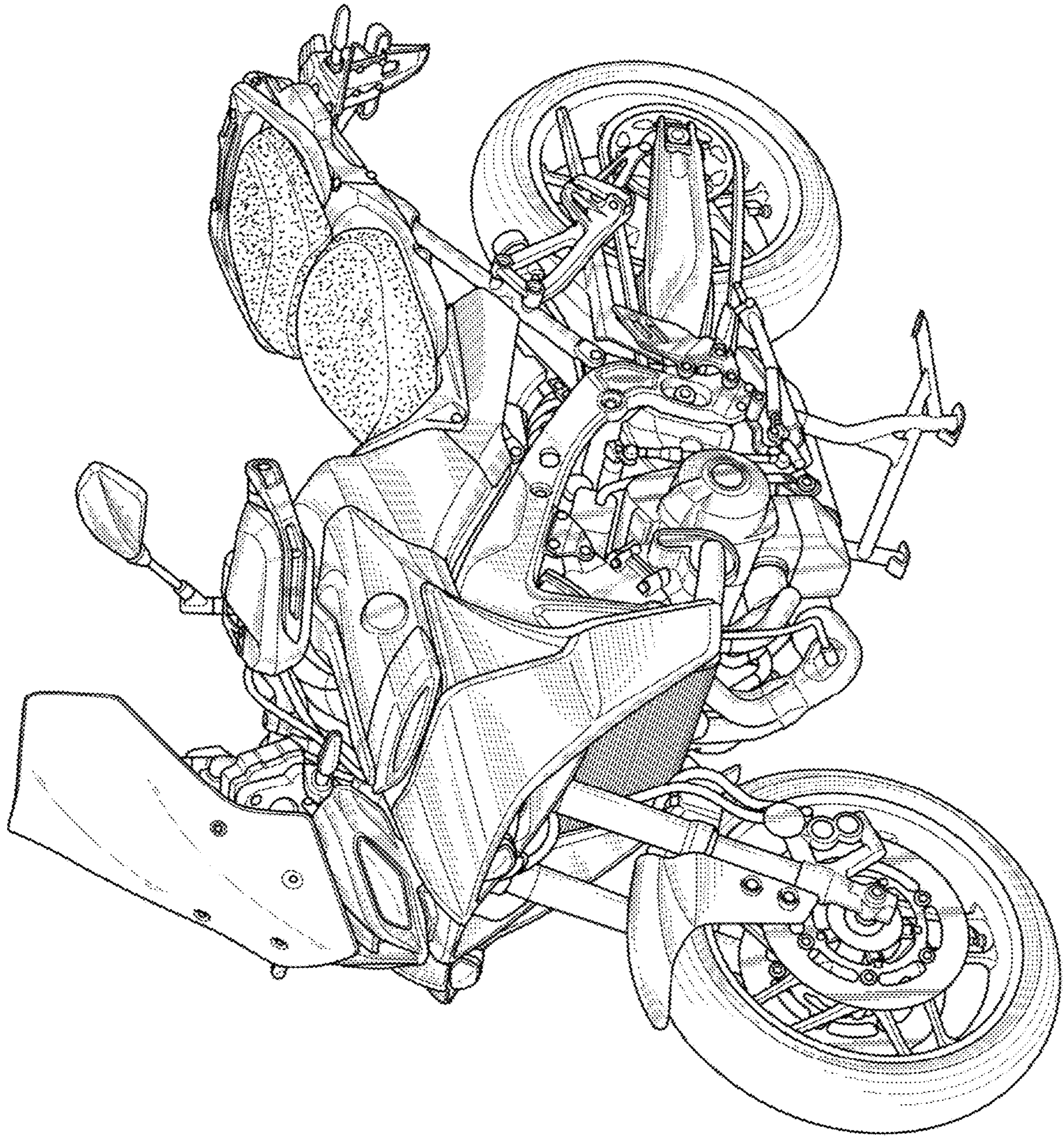


FIG. 1

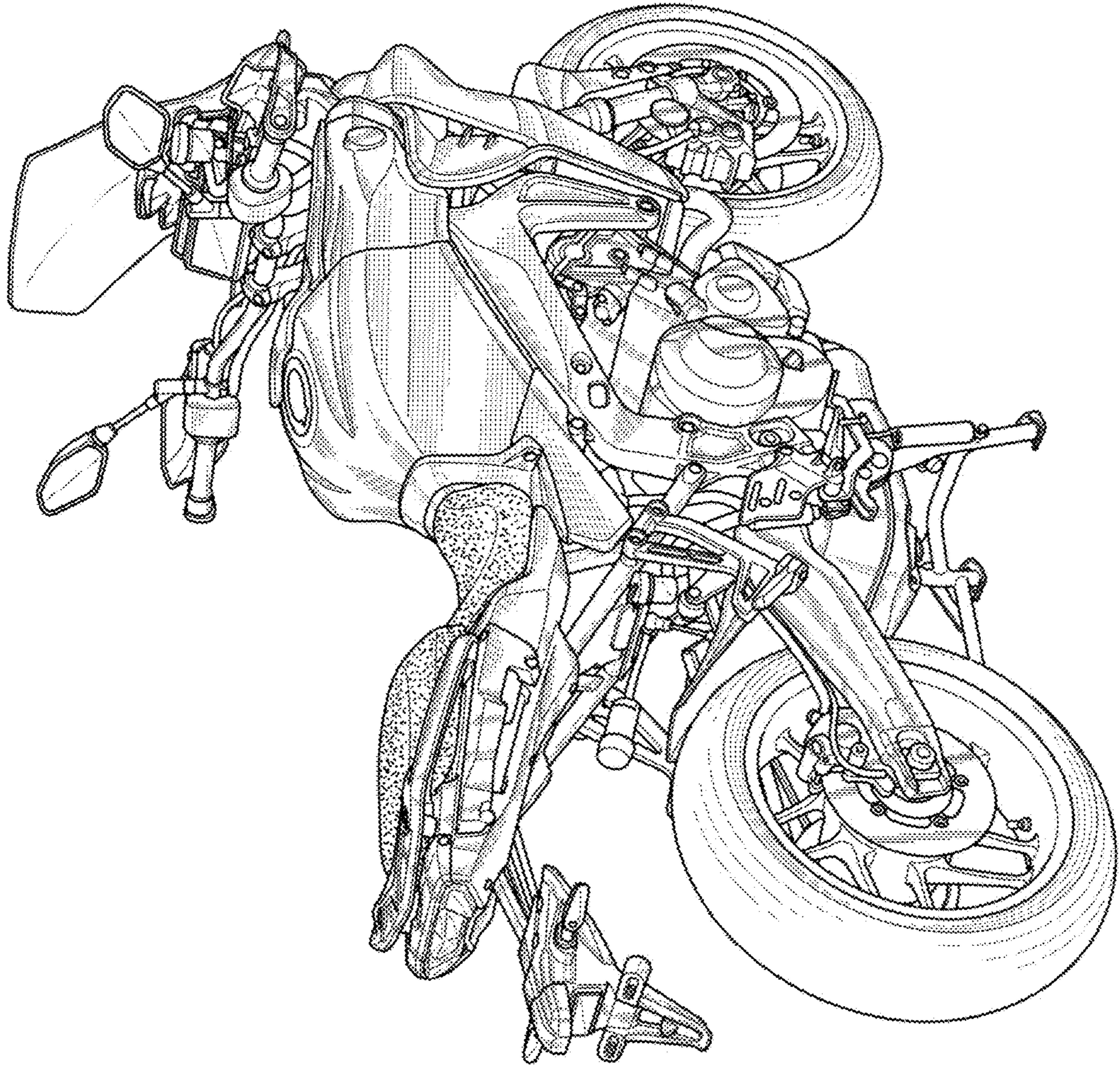


FIG. 2

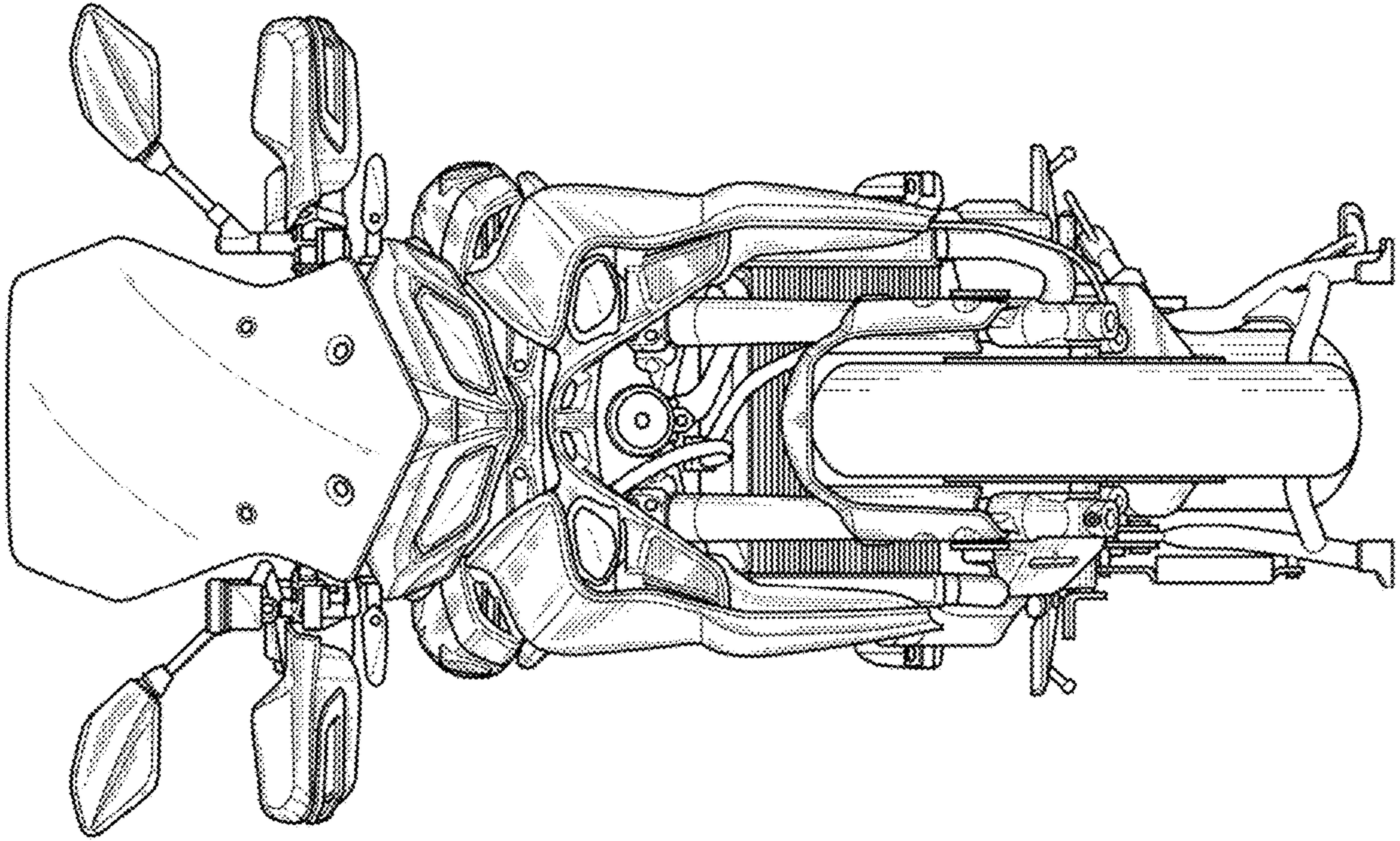


FIG. 3

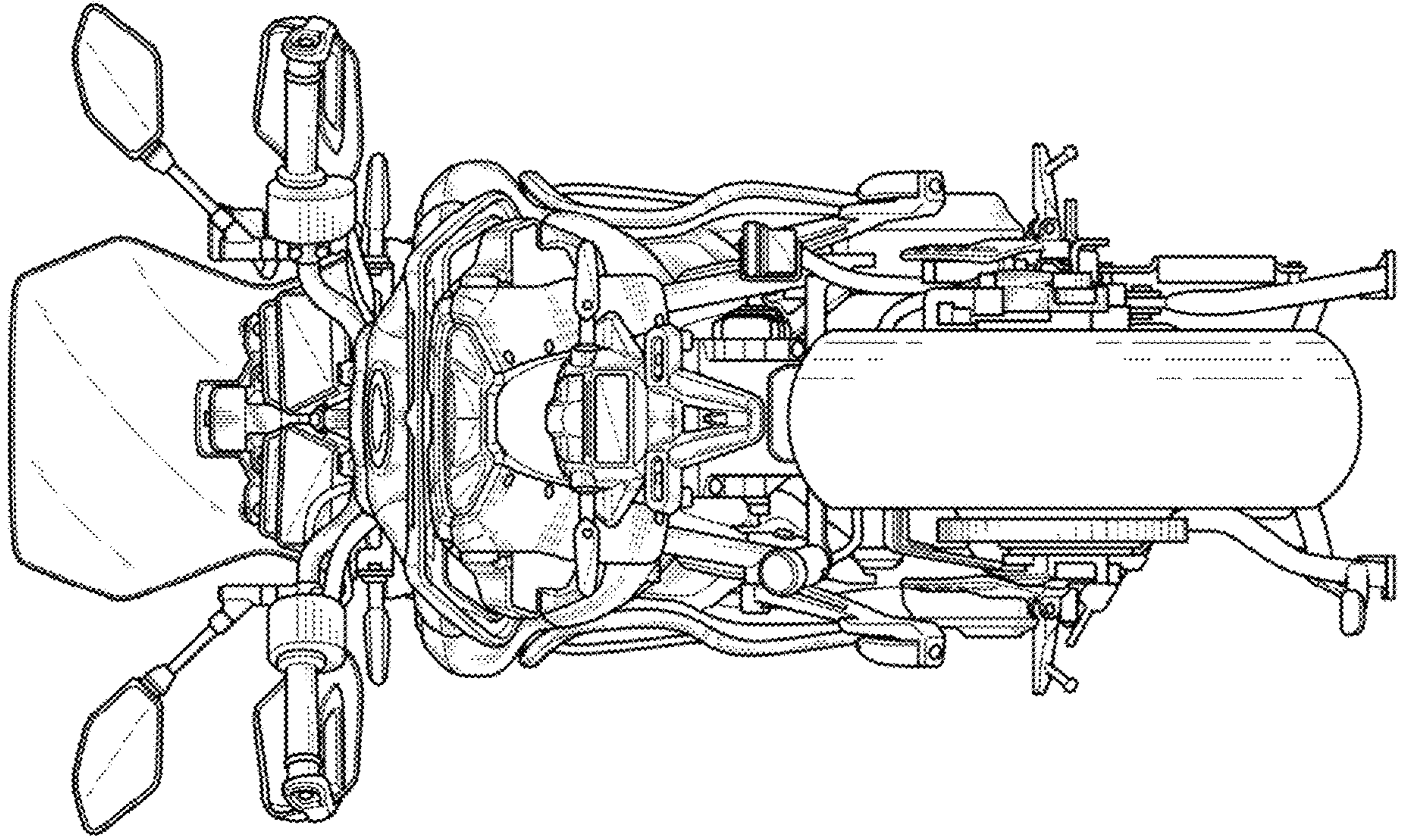


FIG. 4

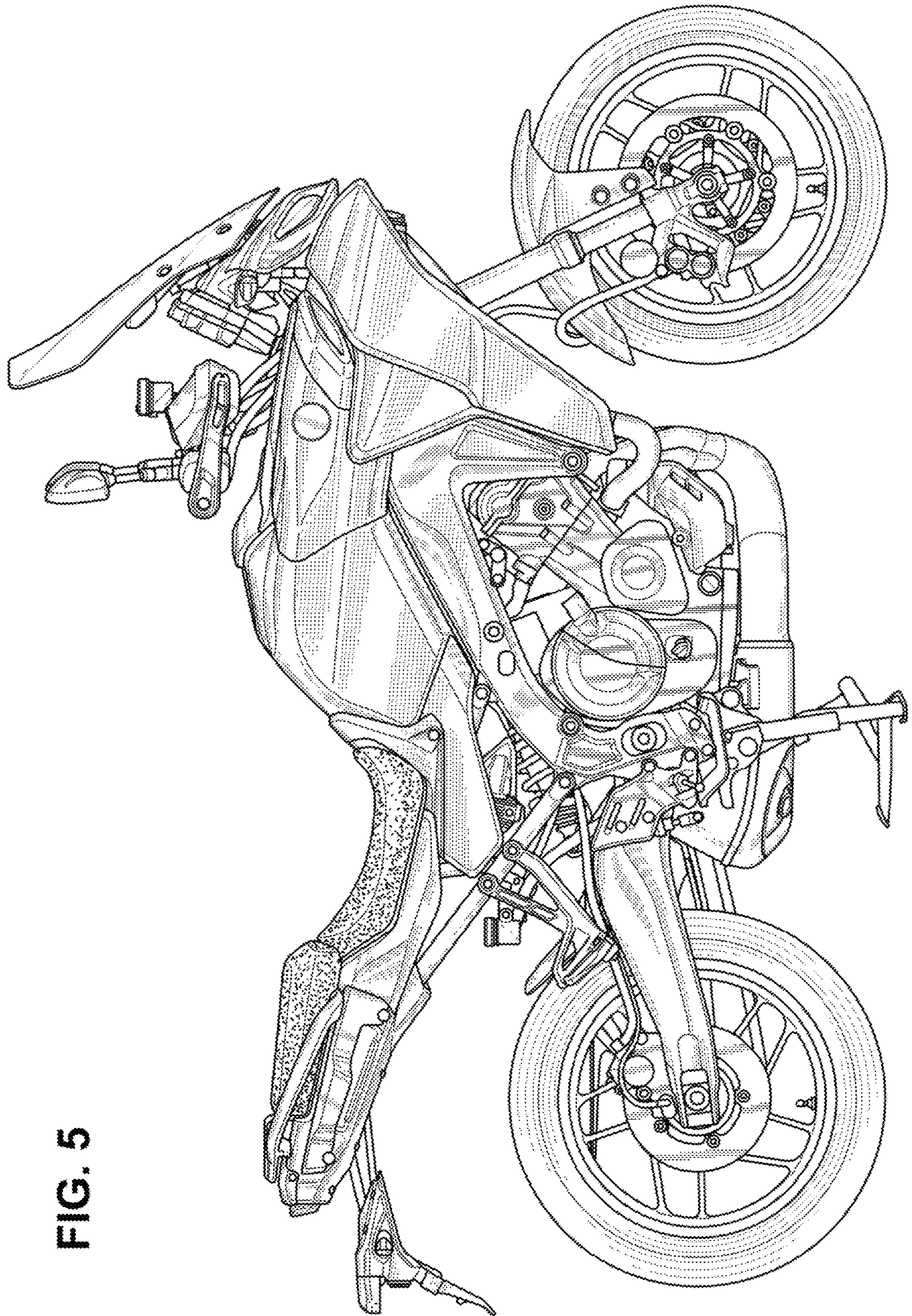


FIG. 5

FIG. 6

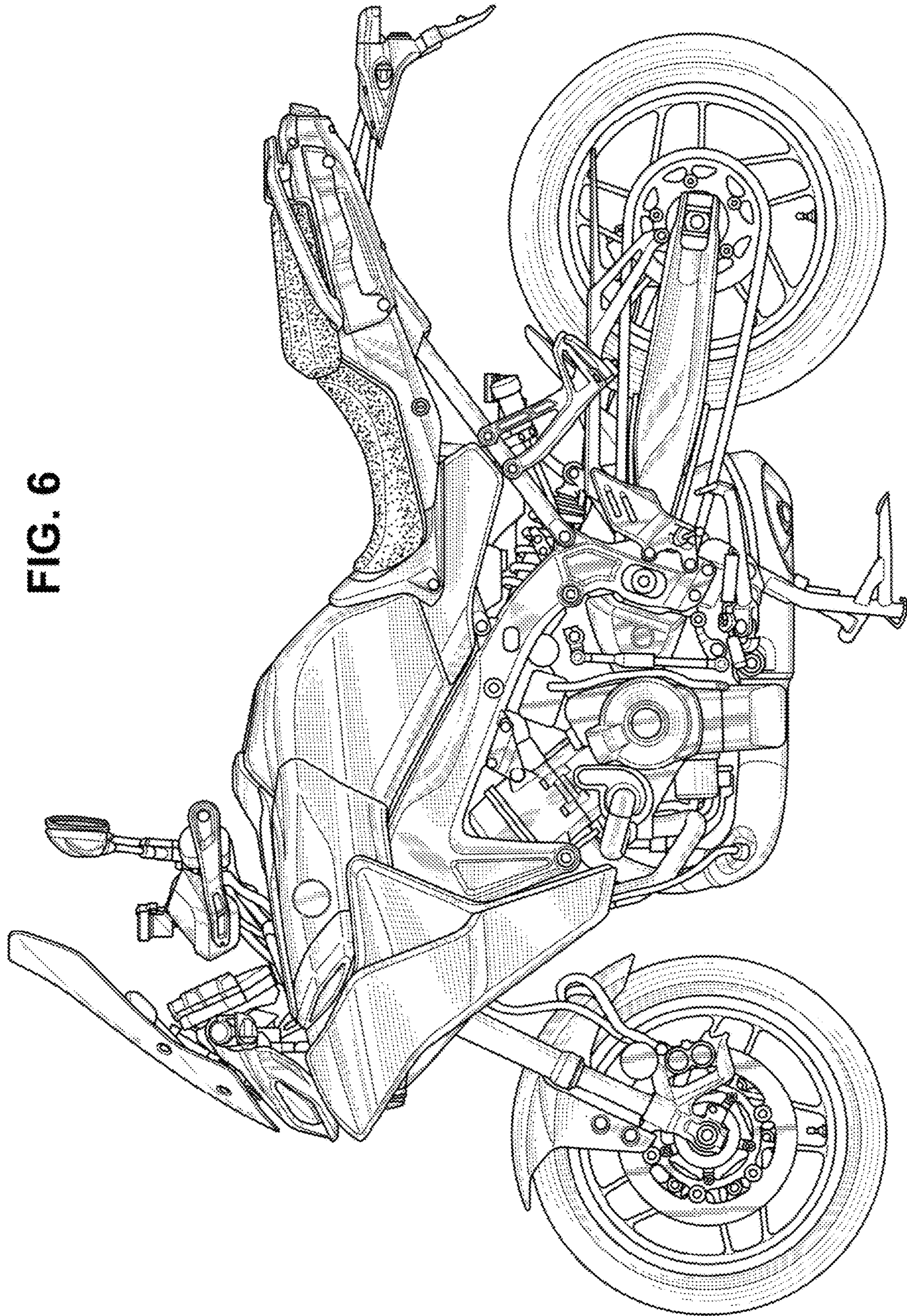


FIG. 7

