



US00D959327S

(12) **United States Design Patent**
Westlind

(10) **Patent No.:** **US D959,327 S**

(45) **Date of Patent:** **** Aug. 2, 2022**

(54) **VERTICAL FARM STATION**

FOREIGN PATENT DOCUMENTS

(71) Applicant: **Samuel Westlind**, Bozeman, MT (US)

GB 1475994 A 6/1977

KR 20110040594 A 4/2011

(72) Inventor: **Samuel Westlind**, Bozeman, MT (US)

WO WO-2020227712 A1 11/2020

(**) Term: **15 Years**

OTHER PUBLICATIONS

(21) Appl. No.: **29/739,358**

International Search Report and Written Opinion for Application No. PCT/US2018/062035 dated Feb. 14, 2019, 11 pages.

(22) Filed: **Jun. 24, 2020**

Primary Examiner — Elizabeth A. Albert

(51) **LOC (13) Cl.** **11-02**

(74) *Attorney, Agent, or Firm* — Patterson Thuent Pedersen, P.A.

(52) **U.S. Cl.**

USPC **D11/155**

(58) **Field of Classification Search**

USPC D11/143–156, 164; D6/403–405,
D6/556–558; D8/1

CPC . A01G 9/02; A01G 9/021; A01G 9/04; A01G
27/003; A01G 31/06

See application file for complete search history.

(57) **CLAIM**

The ornamental design for a vertical farm station, as shown and described.

(56) **References Cited**

U.S. PATENT DOCUMENTS

DESCRIPTION

2,928,211 A * 3/1960 Martin A01G 31/06
47/60

3,598,464 A * 8/1971 Moroziuk E06B 3/4663
312/223.5

4,543,744 A * 10/1985 Royster A01G 9/24
47/60

4,914,858 A * 4/1990 Nijssen A01G 7/045
47/60

5,493,808 A * 2/1996 Munday A01G 9/246
47/60

6,122,861 A 9/2000 Kertz

8,234,812 B1 * 8/2012 Colless A01G 31/06
47/61

8,468,741 B2 * 6/2013 Lewis A01G 9/1423
47/17

8,516,743 B1 8/2013 Giacomantonio

8,627,598 B1 * 1/2014 Souder A01G 31/06
47/60

9,101,096 B1 * 8/2015 Lewis A01G 9/00

9,345,201 B2 * 5/2016 Sakura A01G 9/083

(Continued)

FIG. 1 is an isometric view of a vertical farm station showing my new design.

FIG. 2 is a front view of the vertical farm station of FIG. 1. FIG. 3 is a side view depicting the vertical farm station of FIG. 1.

FIG. 4 is a top view depicting the vertical farm station of FIG. 1.

FIG. 5 is a bottom view depicting the vertical farm station of FIG. 1.

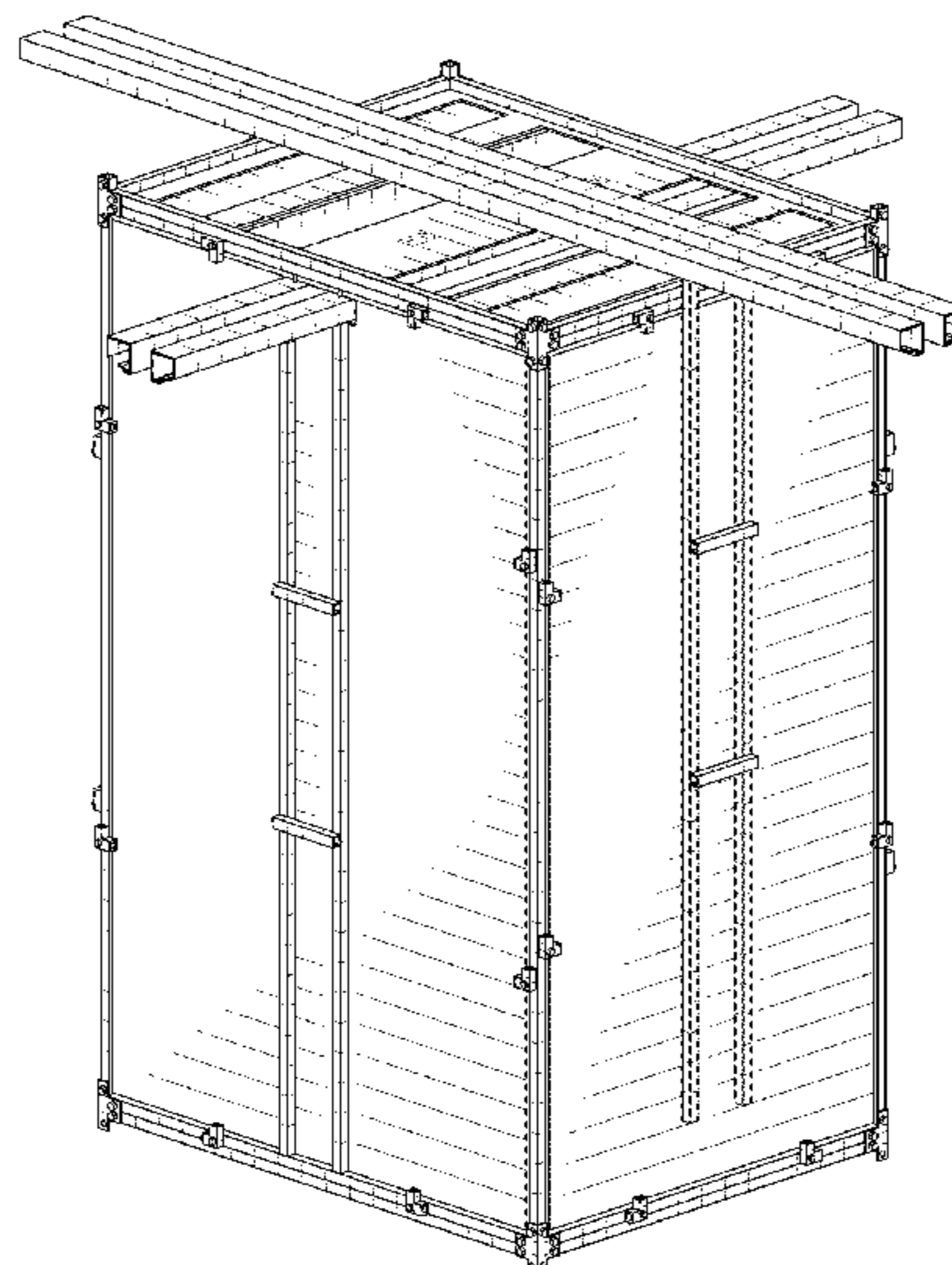
FIG. 6 is a rear view of the vertical farm station of FIG. 1.

FIG. 7 is a perspective view of the vertical farm station of FIG. 1; and,

FIG. 8 is an alternative perspective view of the vertical farm station of FIG. 1.

The broken lines in FIGS. 7 and 8 show portions of the vertical farm station that form no part of the claimed design.

1 Claim, 8 Drawing Sheets



(56)

References Cited

U.S. PATENT DOCUMENTS

9,357,718	B1 *	6/2016	Lehman	A01G 9/24
9,974,253	B1 *	5/2018	Lehman	A01G 9/24
10,194,596	B2 *	2/2019	Esaki	A01G 9/023
D906,164	S *	12/2020	Simard	D11/155
10,863,683	B1 *	12/2020	Lehman	A01G 9/20
11,229,170	B2 *	1/2022	Martin	A01G 31/06
2007/0273394	A1	11/2007	Tanner et al.		
2009/0235583	A1 *	9/2009	Colless	A01G 31/06 47/60
2010/0024292	A1	2/2010	Kertz		
2013/0067809	A1	3/2013	Heather		
2013/0174480	A1 *	7/2013	Gabelmann	A01G 9/02 47/65.5
2013/0255146	A1 *	10/2013	Lehman	A01G 31/02 47/17
2014/0017043	A1 *	1/2014	Hirai	A01G 9/02 414/267
2015/0223491	A1 *	8/2015	Frampton	A23K 10/30 700/283
2015/0289460	A1	10/2015	Vanderveken		
2019/0254245	A1 *	8/2019	McNamara	A01G 9/24
2019/0335676	A1 *	11/2019	Solomon	A01G 9/24
2019/0335692	A1 *	11/2019	Speetjens	A01G 9/24
2020/0329654	A1	6/2020	Westlind et al.		

* cited by examiner

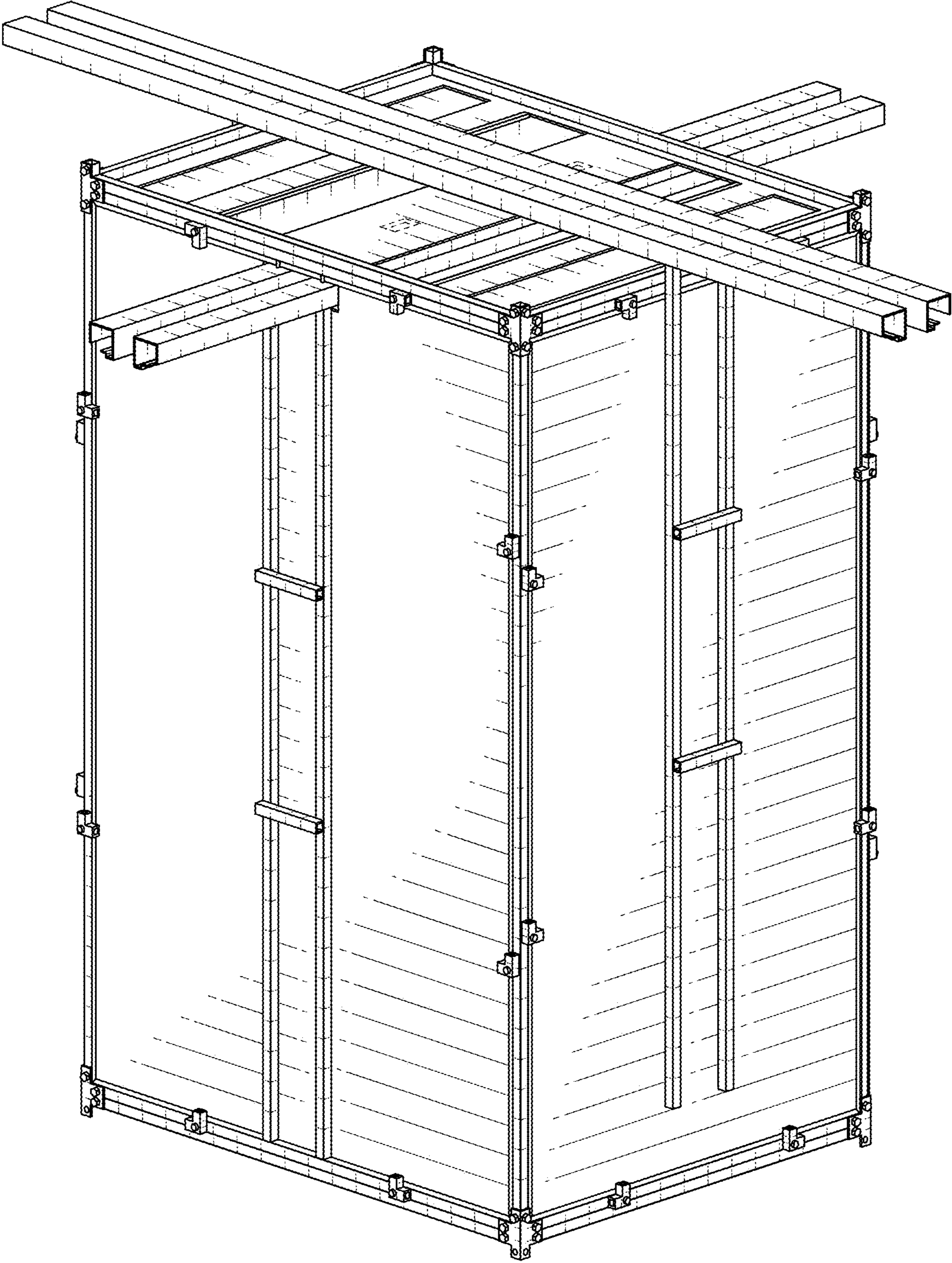


FIG. 1

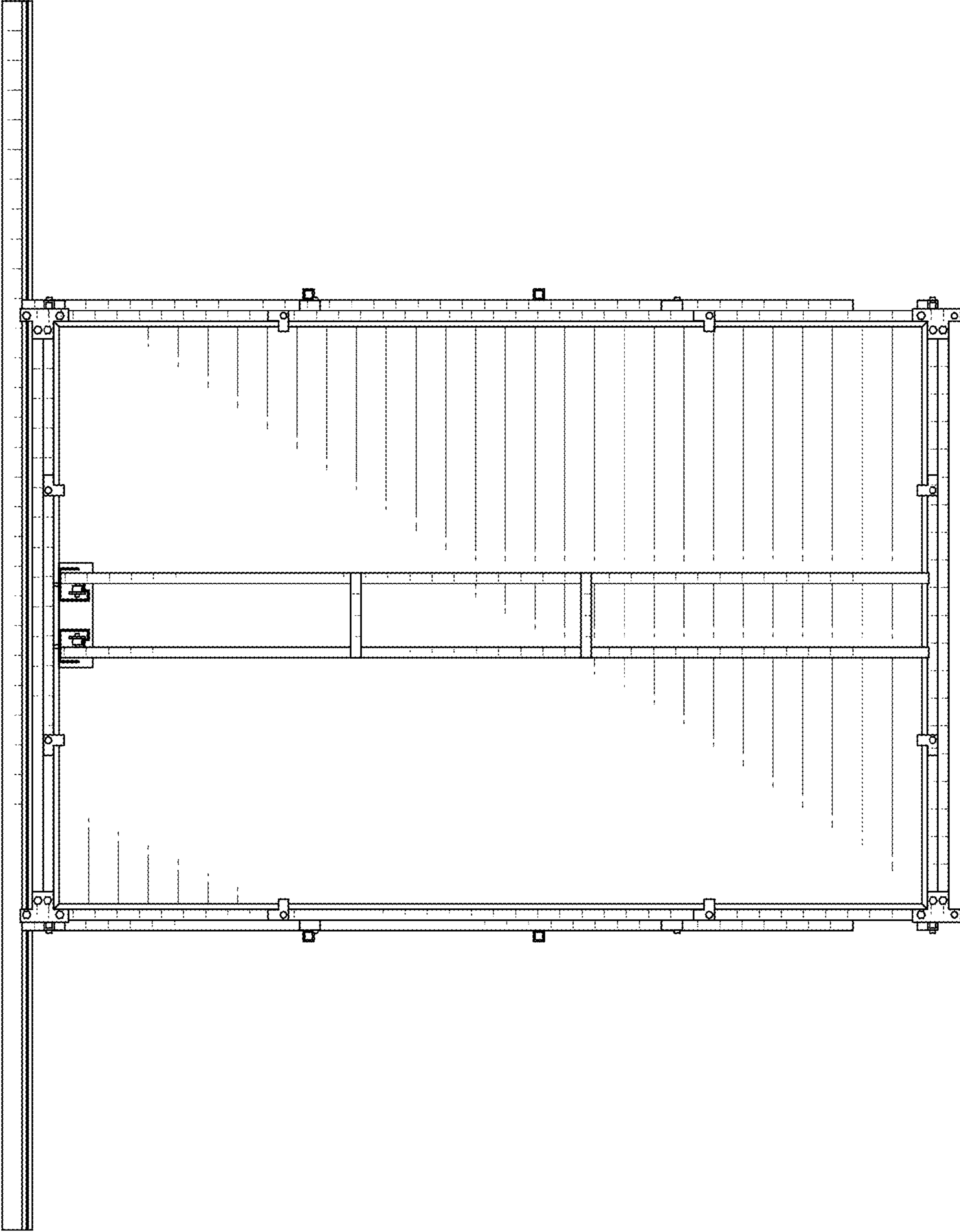


FIG. 2

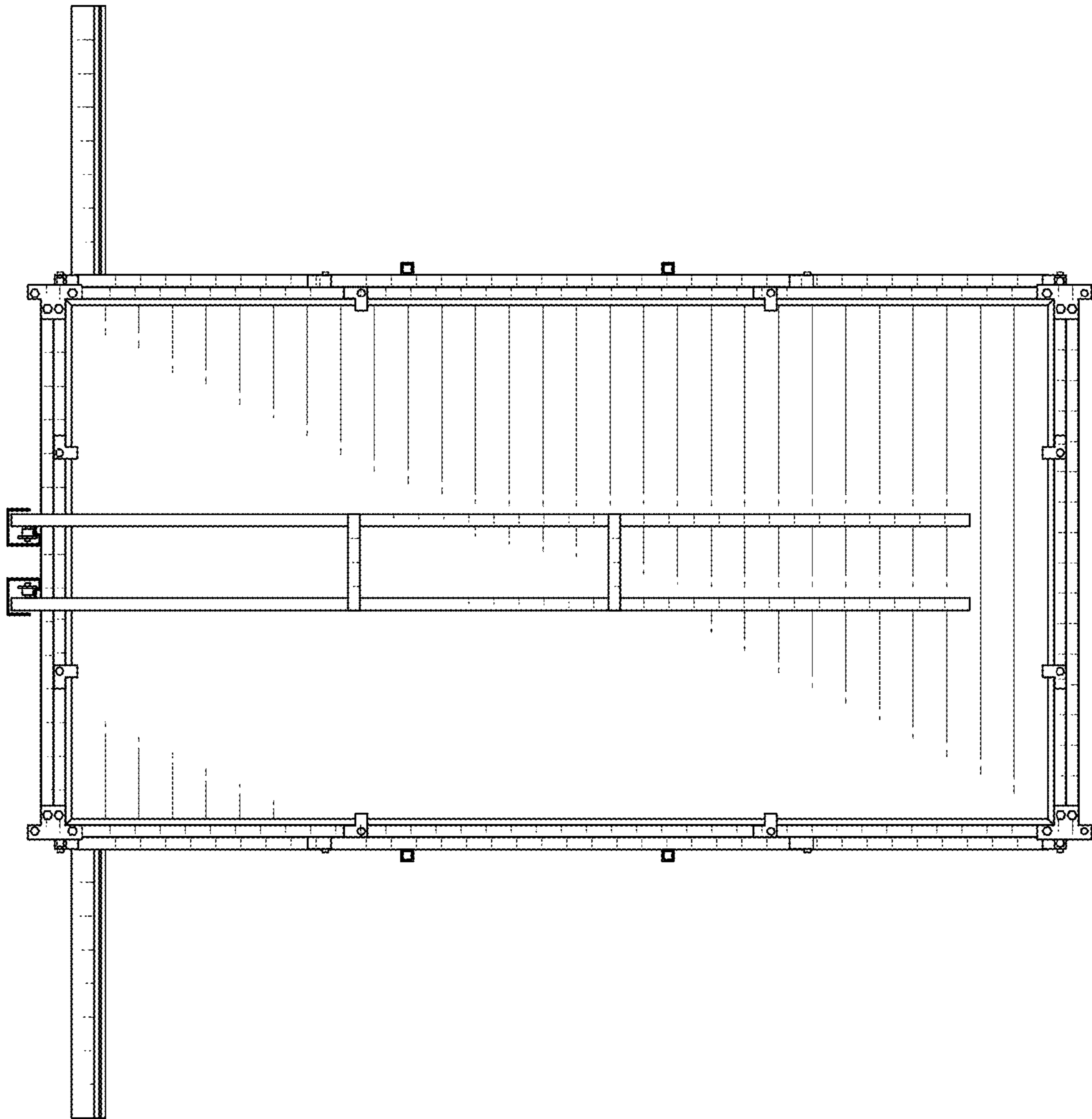


FIG. 3

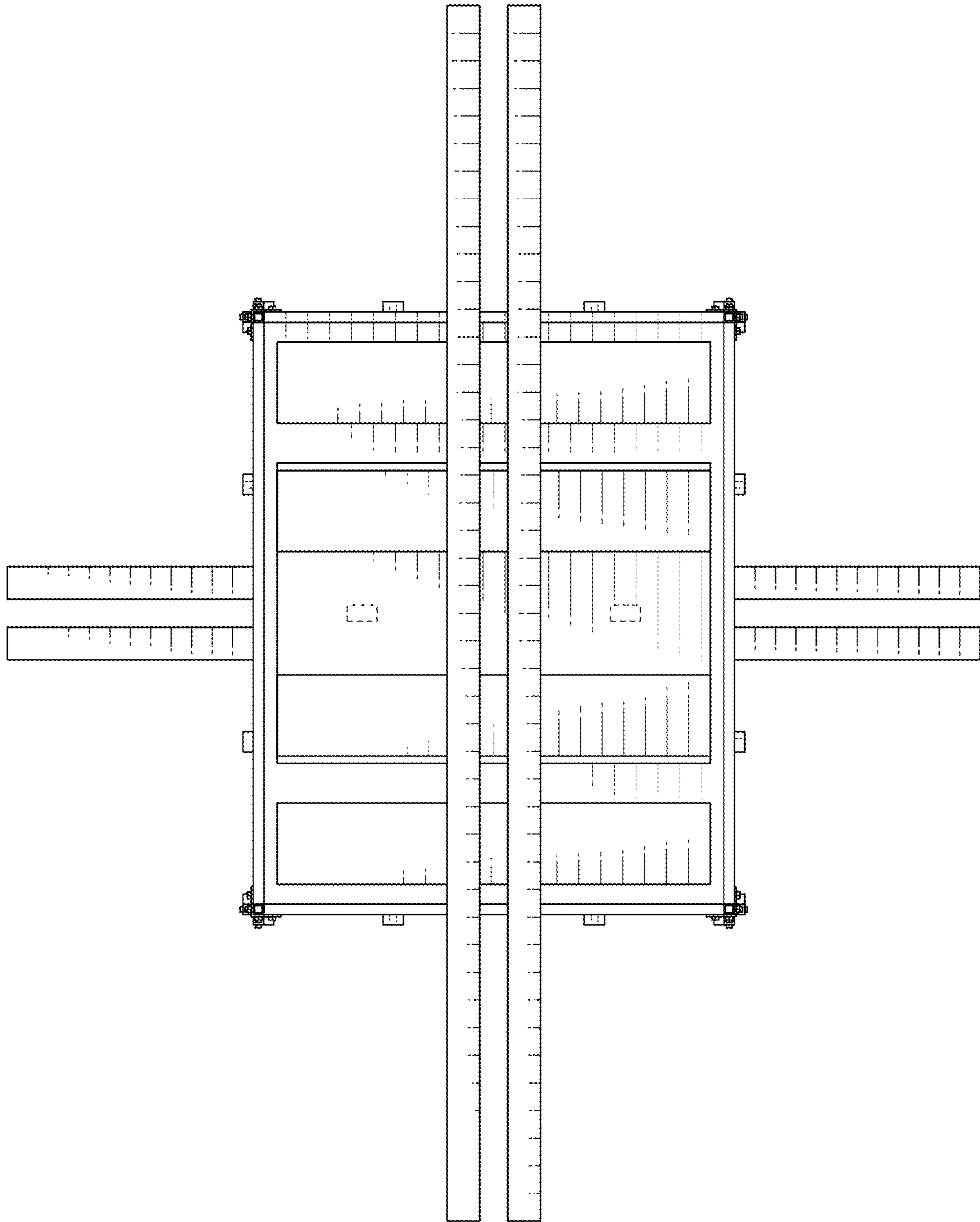


FIG. 4

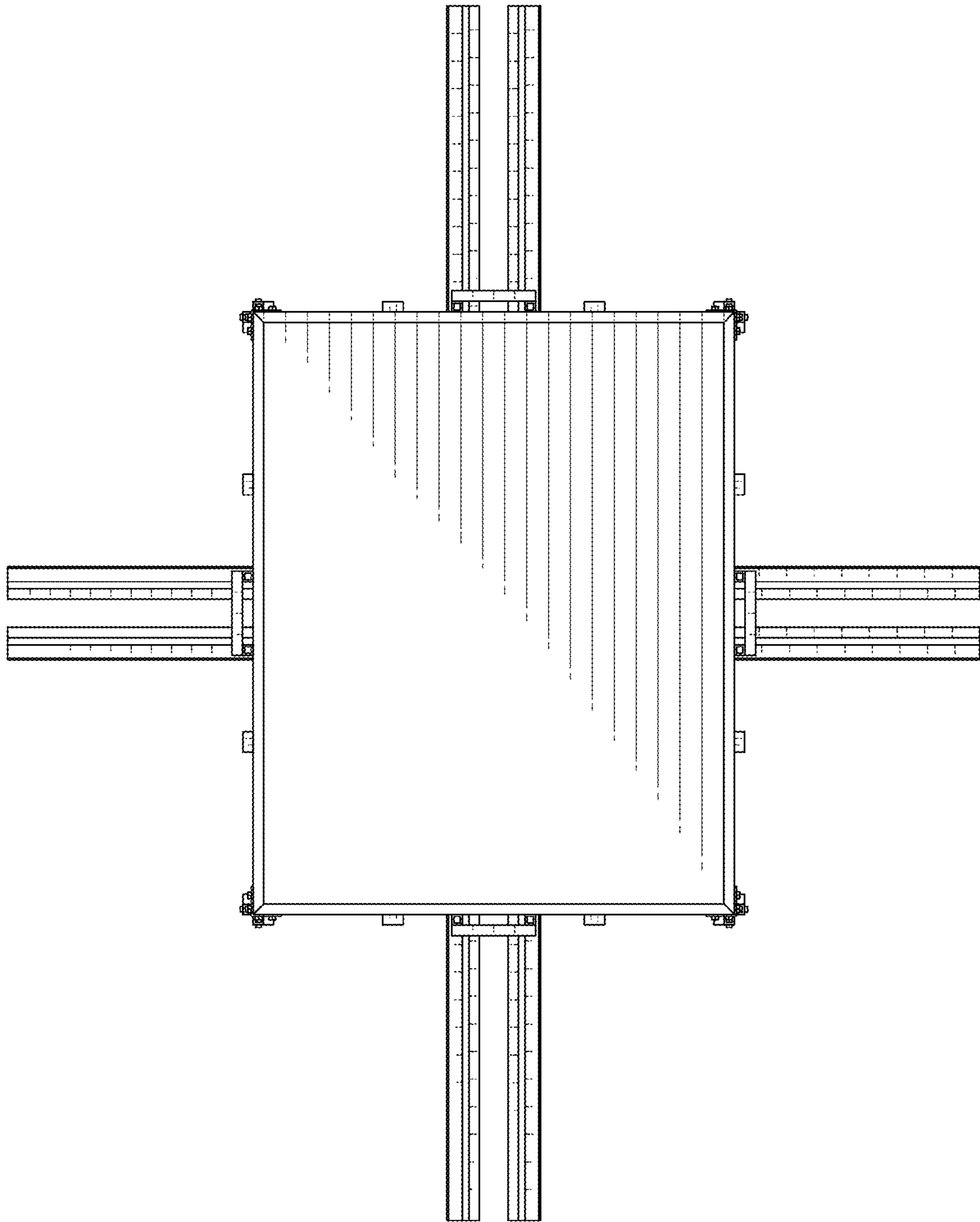


FIG. 5

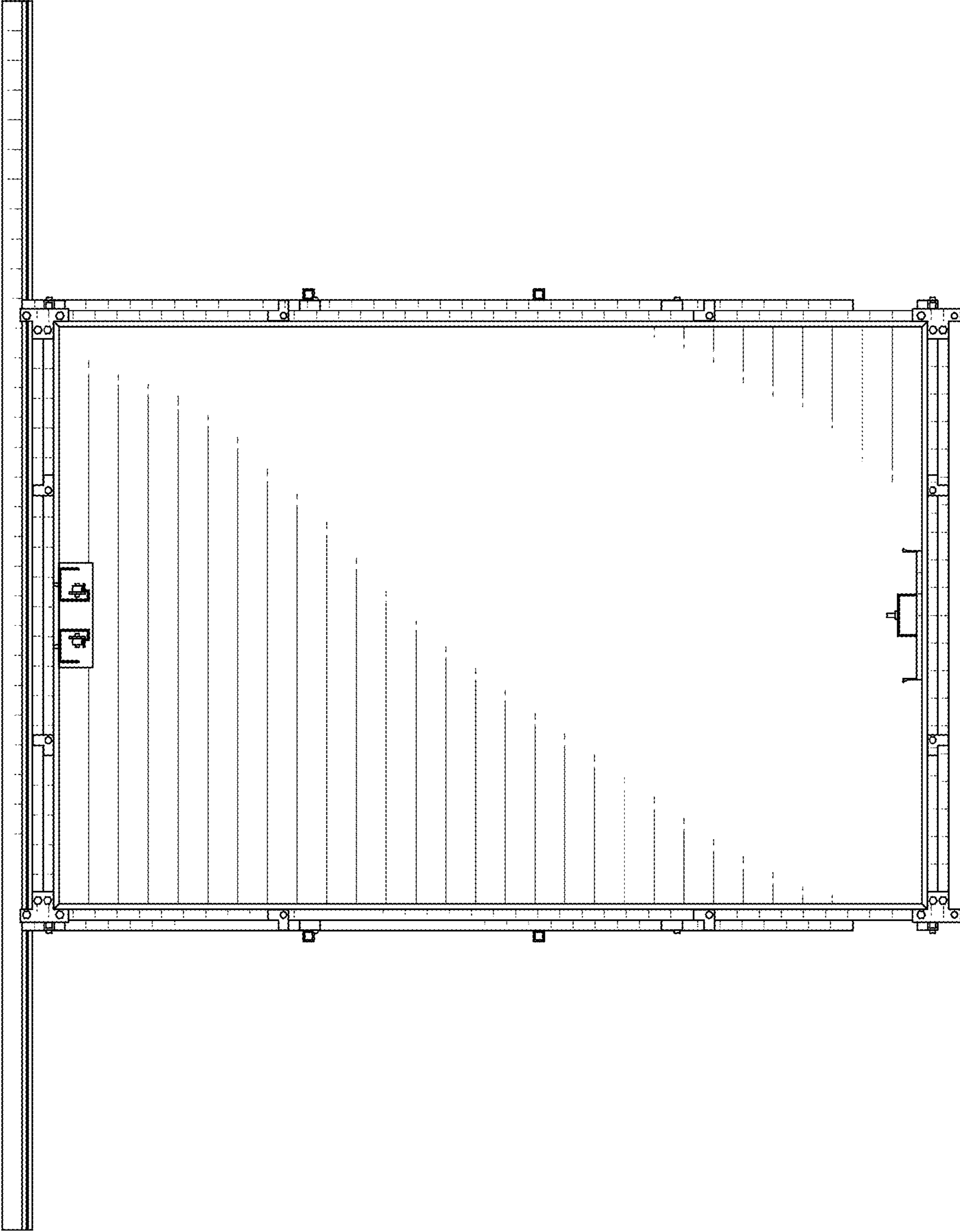


FIG. 6

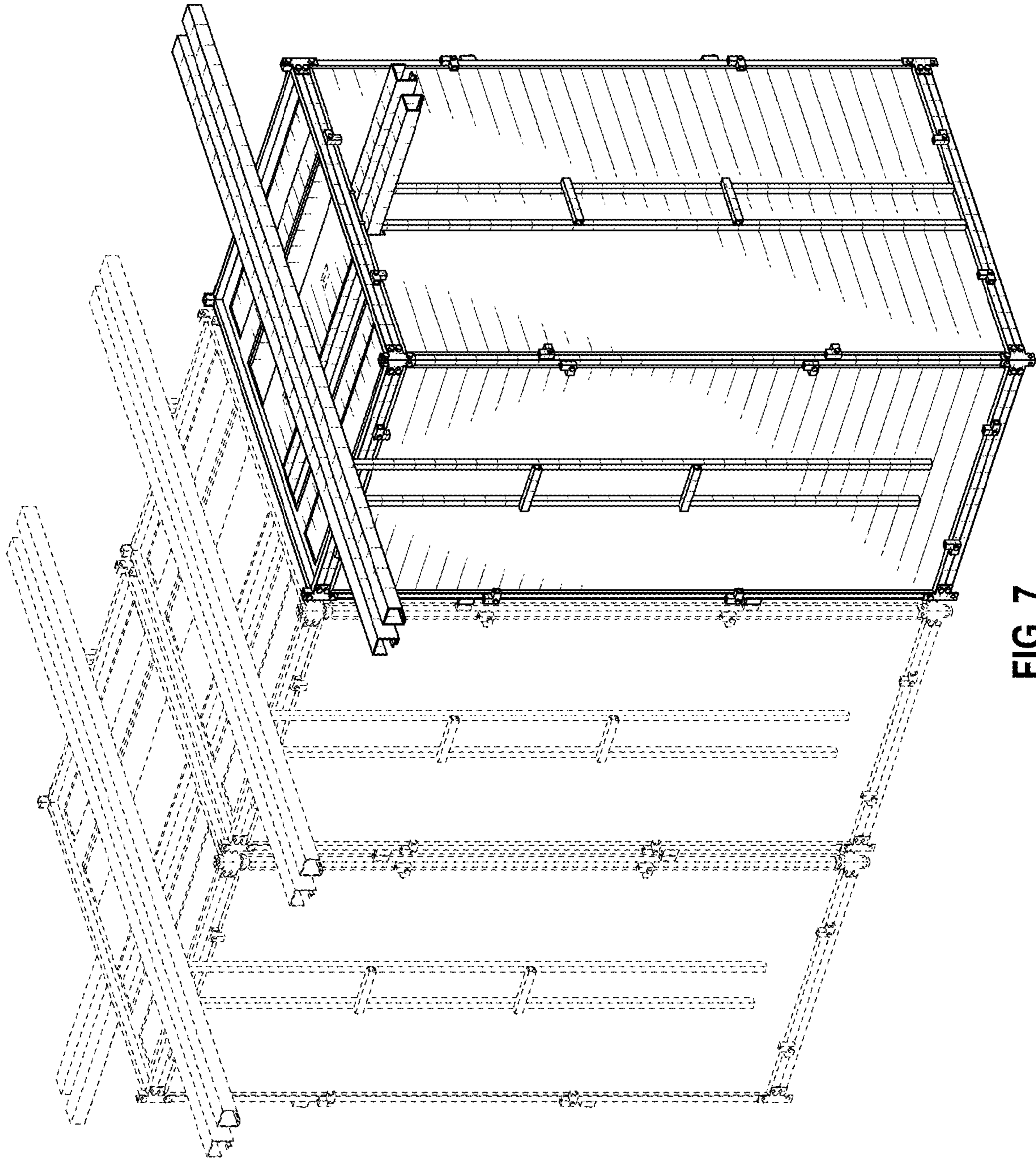


FIG. 7

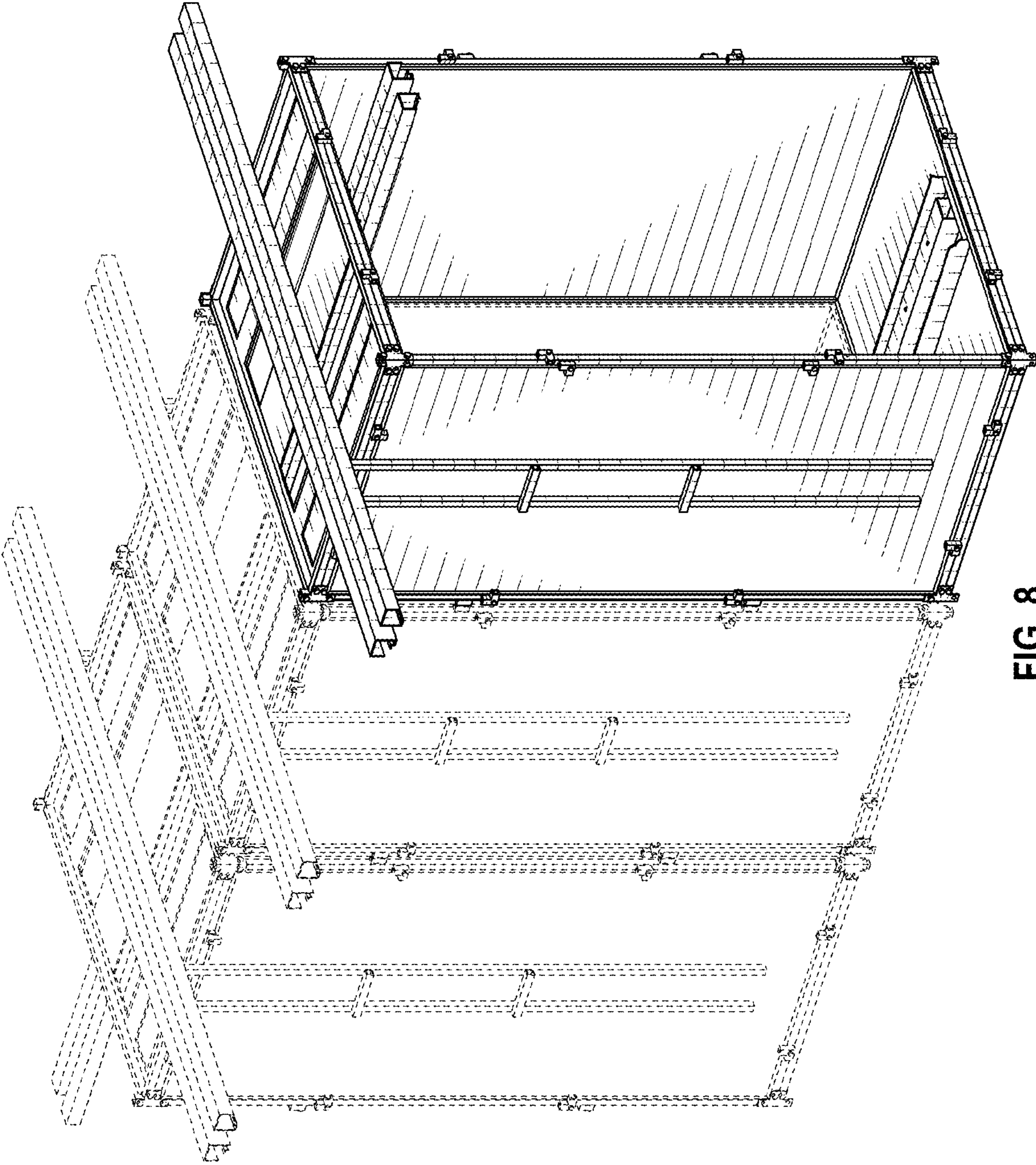


FIG. 8