



US00D959326S

(12) **United States Design Patent** (10) **Patent No.:** **US D959,326 S**
Kim et al. (45) **Date of Patent:** **** Aug. 2, 2022**

(54) **PLANT CULTIVATOR**
(71) Applicant: **LG ELECTRONICS INC., Seoul (KR)**
(72) Inventors: **Yong Kim, Seoul (KR); Kyukwan Choi, Seoul (KR); Minsub Kim, Seoul (KR)**
(73) Assignee: **LG ELECTRONICS INC., Seoul (KR)**
(**) Term: **15 Years**

D659,724 S * 5/2012 Wolfe D15/79
D695,795 S * 12/2013 Schaefer D15/81
D704,981 S * 5/2014 Gates D7/332
D705,278 S * 5/2014 Schaefer D15/81
D705,279 S * 5/2014 Schaefer D15/81
D739,882 S * 9/2015 Schaefer D15/79
D775,245 S * 12/2016 Seo D15/81
D788,185 S * 5/2017 Wolfe D15/79
D826,291 S * 8/2018 Lim D15/81
D840,443 S * 2/2019 Aulisio D15/81
D844,033 S * 3/2019 Lim F25D 11/00
D15/79
D857,425 S * 8/2019 Crutcher D6/661
D857,763 S * 8/2019 Cunningham D15/79
(Continued)

(21) Appl. No.: **29/738,971**
(22) Filed: **Jun. 22, 2020**
(30) **Foreign Application Priority Data**
Dec. 23, 2019 (KR) 30-2019-0062509
(51) **LOC (13) Cl.** **11-02**
(52) **U.S. Cl.**
USPC **D11/155**
(58) **Field of Classification Search**
USPC D11/143–156, 164; D6/403–405,
D6/556–558; D8/1
CPC . A01G 9/02; A01G 9/021; A01G 9/04; A01G
27/003; A01G 31/06
See application file for complete search history.

(56) **References Cited**
U.S. PATENT DOCUMENTS
6,255,103 B1 * 7/2001 Tamaoki C12M 37/00
236/3
D512,081 S * 11/2005 Chang D15/81
D539,312 S * 3/2007 Kim D15/81
D540,831 S * 4/2007 Kim D15/81
D556,792 S * 12/2007 Moran D6/661
D567,828 S * 4/2008 Moran D15/79
D627,374 S * 11/2010 Yang D15/81
D630,231 S * 1/2011 Yang D15/81

OTHER PUBLICATIONS

LG's Indoor Garden Cultivator for Veggies Goes to CES 2022, by Liu Hongzuo, on Dec. 16, 2021, model LG Tiin, online on hardwarezone.com.*

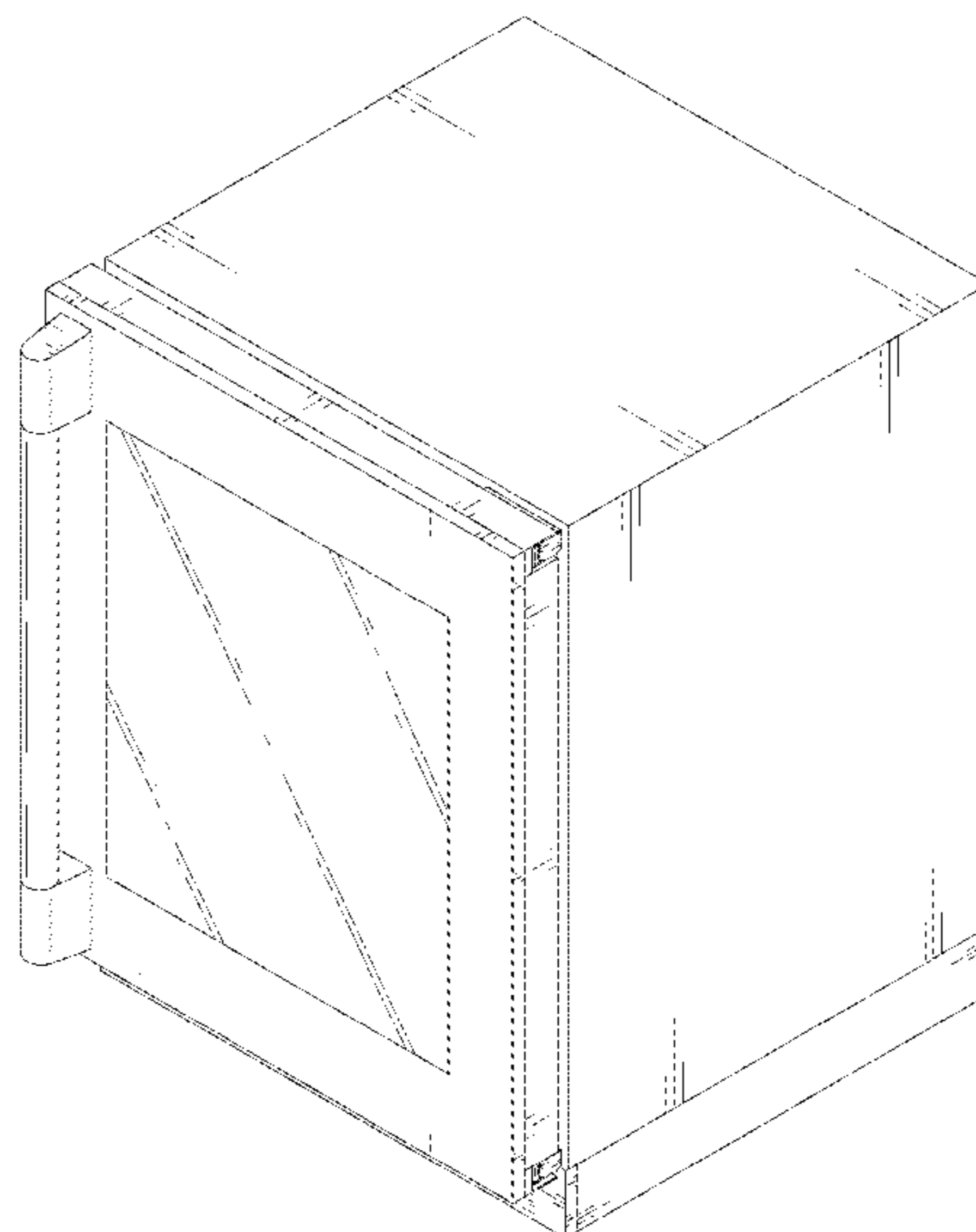
Primary Examiner — Elizabeth A. Albert
(74) *Attorney, Agent, or Firm* — Birch, Stewart, Kolasch & Birch, LLP

(57) **CLAIM**
The ornamental design for a plant cultivator, as shown and described.

DESCRIPTION

FIG. 1 is a front perspective view of a plant cultivator showing our new design;
FIG. 2 is a front view thereof;
FIG. 3 is a back view thereof;
FIG. 4 is a left side view thereof;
FIG. 5 is a right side view thereof;
FIG. 6 is a top plan view thereof; and,
FIG. 7 is a bottom plan view thereof.
The broken lines depict portions of the plant cultivator that form no part of the claimed design.

1 Claim, 7 Drawing Sheets



(56)

References Cited

U.S. PATENT DOCUMENTS

D861,384 S * 10/2019 Crutcher D6/661
D909,239 S * 2/2021 Choi D11/155
D913,344 S * 3/2021 Choi D15/79
11,191,223 B2 * 12/2021 Lee A01G 31/06
2008/0047209 A1 * 2/2008 Hinterholzer F25D 23/02
220/592.02
2016/0029574 A1 * 2/2016 He A01G 9/20
47/66.5
2017/0347547 A1 * 12/2017 Lu A01G 31/02
2020/0260665 A1 * 8/2020 Yi A01G 27/005
2022/0007599 A1 * 1/2022 Lim A01G 31/02

* cited by examiner

FIG. 1

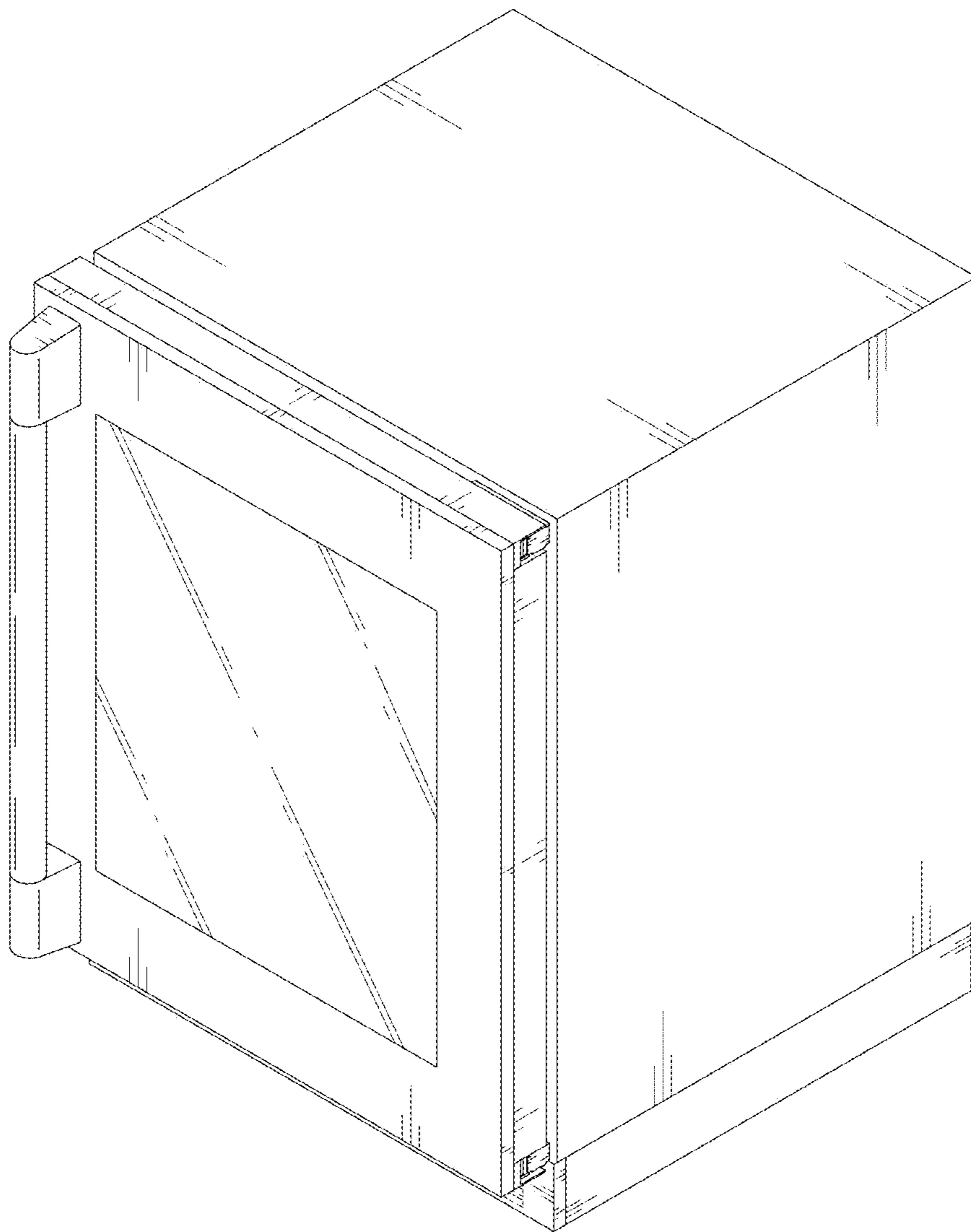


FIG. 2

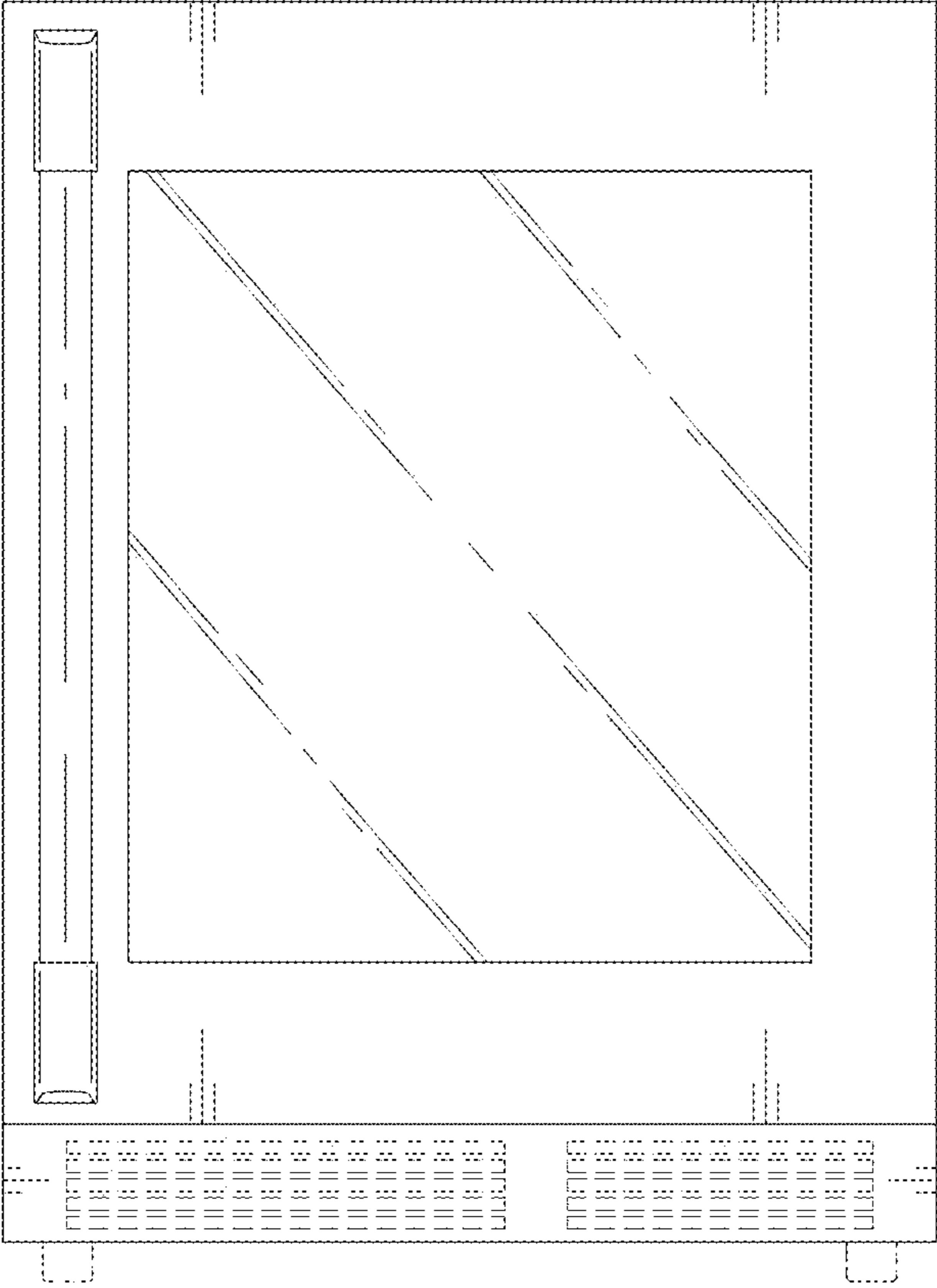


FIG. 3

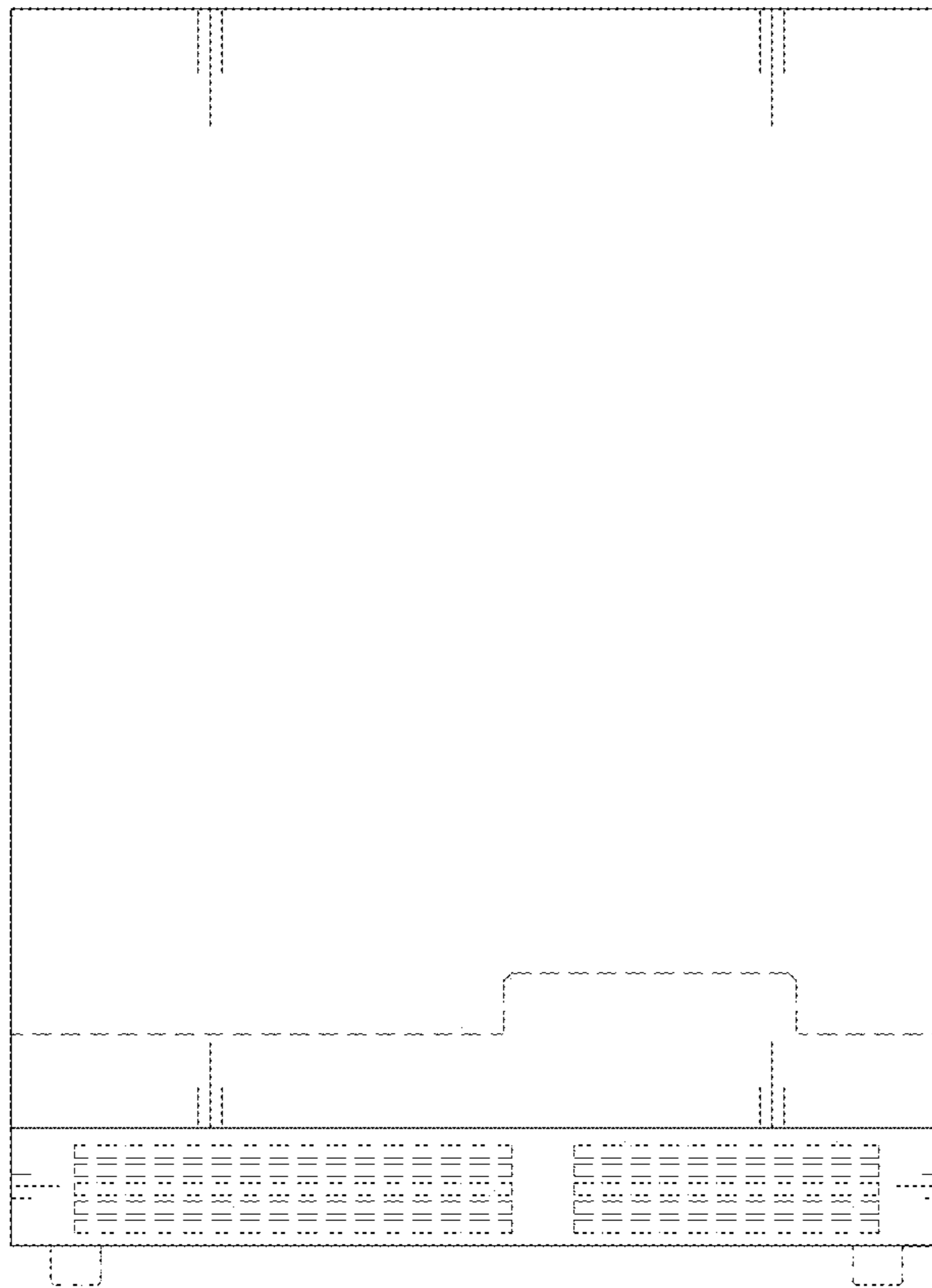


FIG. 4

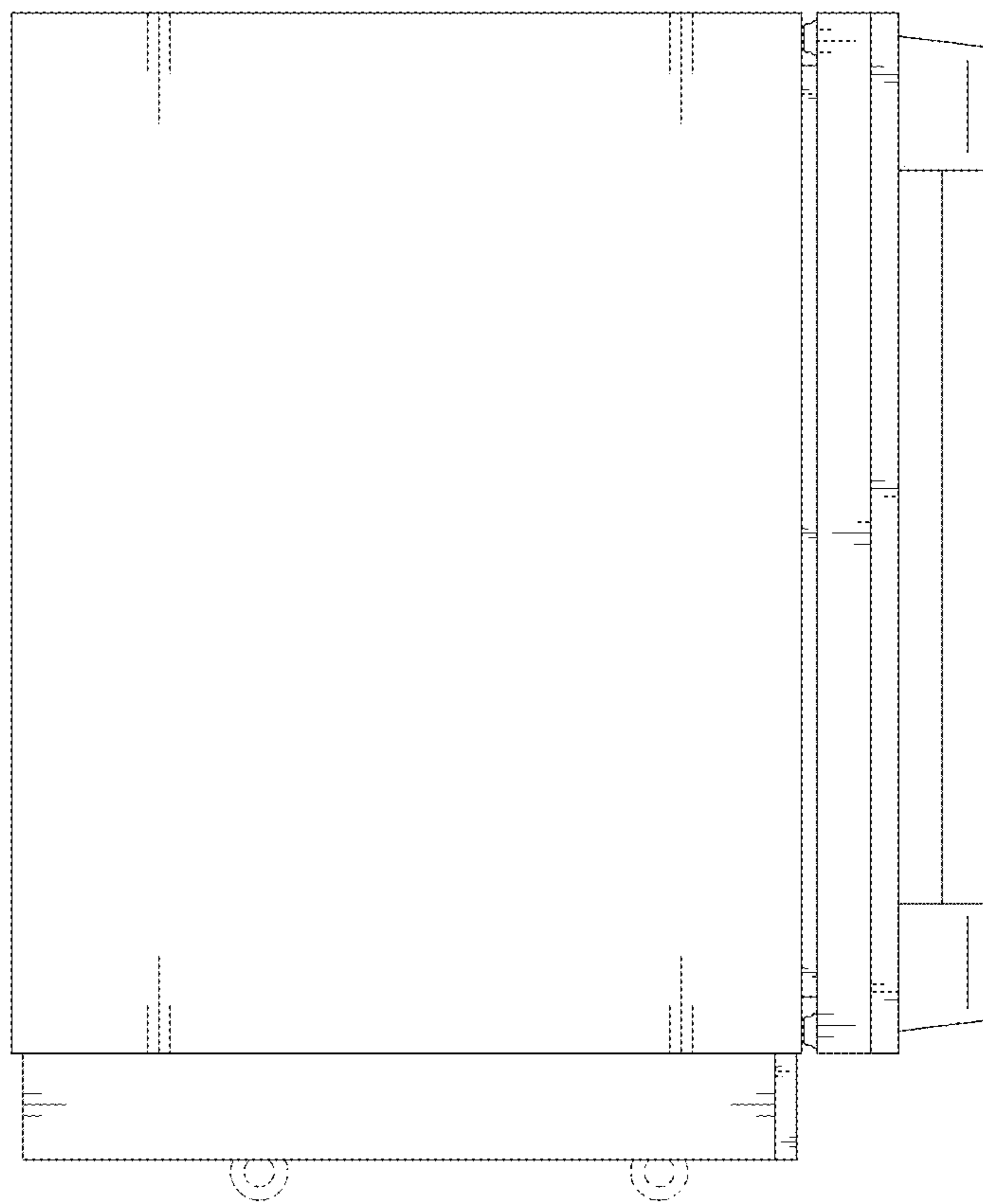


FIG. 5

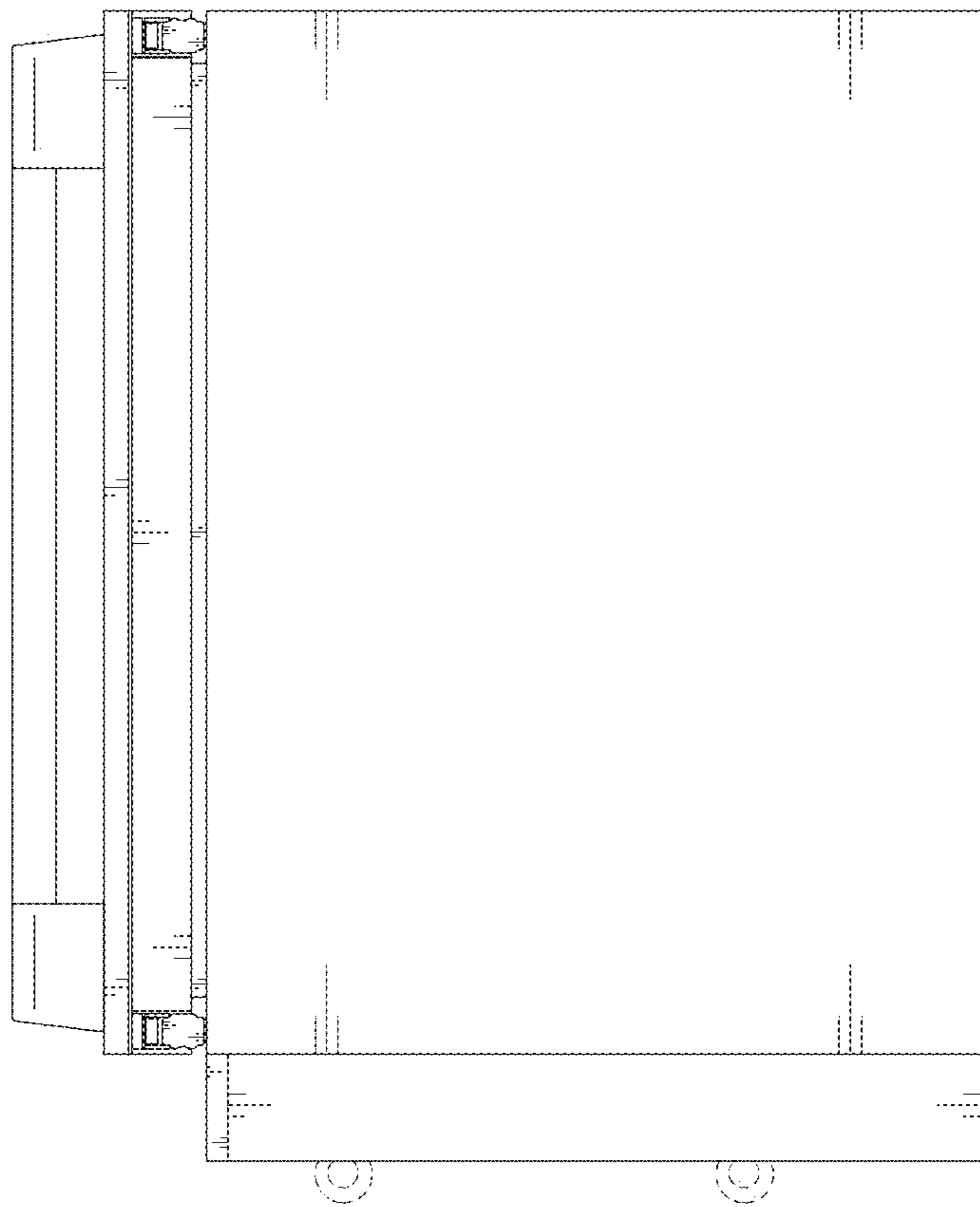


FIG. 6

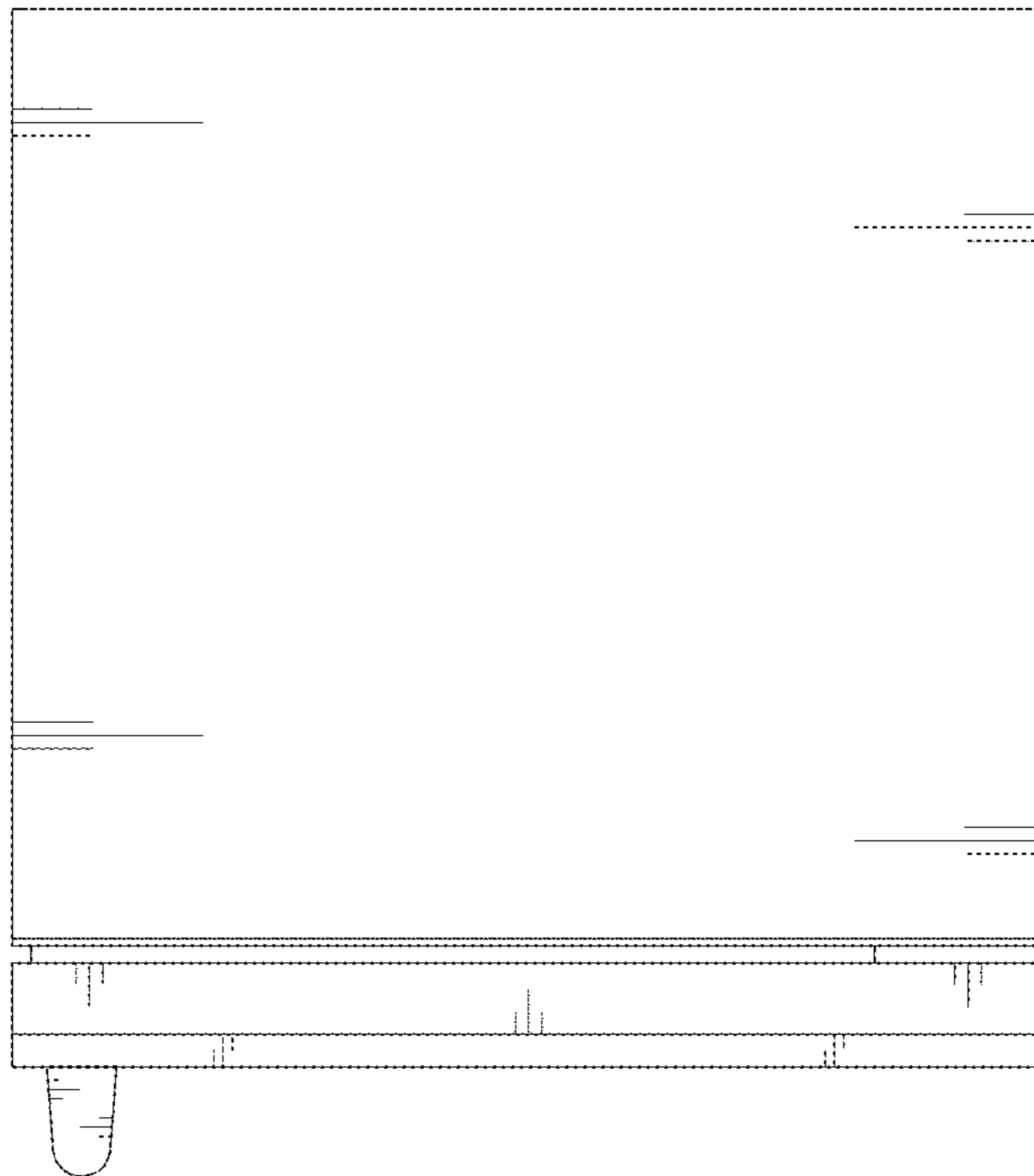


FIG. 7

