



US00D959325S

(12) **United States Design Patent**  
**Kim et al.**

(10) **Patent No.:** **US D959,325 S**

(45) **Date of Patent:** **\*\* Aug. 2, 2022**

(54) **PLANT CULTIVATOR**

(71) Applicant: **LG ELECTRONICS INC.**, Seoul  
(KR)

(72) Inventors: **Yong Kim**, Seoul (KR); **Kyukwan Choi**, Seoul (KR); **Minsub Kim**, Seoul (KR)

(73) Assignee: **LG ELECTRONICS INC.**, Seoul  
(KR)

(\*\*) Term: **15 Years**

(21) Appl. No.: **29/738,969**

(22) Filed: **Jun. 22, 2020**

(30) **Foreign Application Priority Data**

Dec. 23, 2019 (KR) ..... 30-2019-0062510

(51) **LOC (13) Cl.** ..... **11-02**

(52) **U.S. Cl.**  
USPC ..... **D11/155**

(58) **Field of Classification Search**  
USPC ..... D11/143–156, 164; D6/403–405,  
D6/556–558; D8/1  
CPC . A01G 9/02; A01G 9/021; A01G 9/04; A01G  
27/003; A01G 31/06  
See application file for complete search history.

(56) **References Cited**

U.S. PATENT DOCUMENTS

6,255,103 B1 \* 7/2001 Tamaoki ..... C12M 37/00  
236/3  
D512,081 S \* 11/2005 Chang ..... D15/81  
D539,312 S \* 3/2007 Kim ..... D15/81  
D540,831 S \* 4/2007 Kim ..... D15/81  
D556,792 S \* 12/2007 Moran ..... D6/661  
D567,828 S \* 4/2008 Moran ..... D15/79  
D627,374 S \* 11/2010 Yang ..... D15/81  
D630,231 S \* 1/2011 Yang ..... D15/81

D659,724 S \* 5/2012 Wolfe ..... D15/79  
D695,795 S \* 12/2013 Schaefer ..... D15/81  
D704,981 S \* 5/2014 Gates ..... D7/332  
D705,278 S \* 5/2014 Schaefer ..... D15/81  
D705,279 S \* 5/2014 Schaefer ..... D15/81  
D739,882 S \* 9/2015 Schaefer ..... D15/79  
D775,245 S \* 12/2016 Seo ..... D15/81  
D788,185 S \* 5/2017 Wolfe ..... D15/79  
D826,291 S \* 8/2018 Lim ..... D15/81  
D840,443 S \* 2/2019 Aulisio ..... D15/81  
D844,033 S \* 3/2019 Lim ..... F25D 11/00  
D15/79  
D857,425 S \* 8/2019 Crutcher ..... D6/661  
D857,763 S \* 8/2019 Cunningham ..... D15/79

(Continued)

**OTHER PUBLICATIONS**

LG's Indoor Garden Cultivator for Veggies Goes to CES 2022, by Liu Hongzuo, on Dec. 16, 2021, model LG Tiin, online on hardwarezone.com.\*

*Primary Examiner* — Elizabeth A. Albert

(74) *Attorney, Agent, or Firm* — Birch, Stewart, Kolasch & Birch, LLP

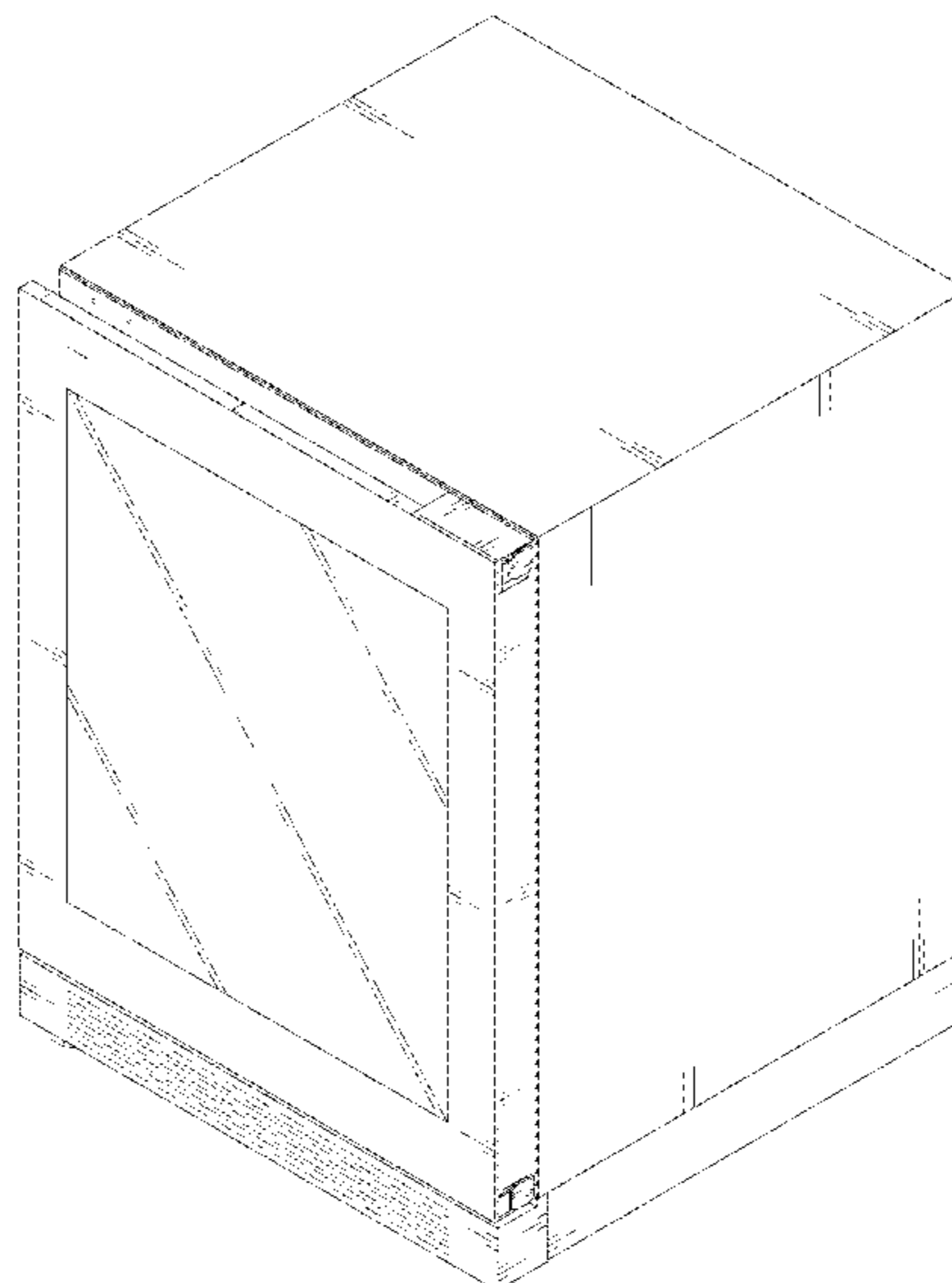
(57) **CLAIM**

The ornamental design for a plant cultivator, as shown and described.

**DESCRIPTION**

FIG. 1 is a front perspective view of a plant cultivator showing our new design;  
FIG. 2 is a front view thereof;  
FIG. 3 is a back view thereof;  
FIG. 4 is a left side view thereof;  
FIG. 5 is a right side view thereof;  
FIG. 6 is a top plan view thereof; and,  
FIG. 7 is a bottom plan view thereof.  
The broken lines depict portions of the plant cultivator that form no part of the claimed design.

**1 Claim, 7 Drawing Sheets**



(56)

**References Cited**

U.S. PATENT DOCUMENTS

D861,384 S \* 10/2019 Crutcher ..... D6/661  
D909,239 S \* 2/2021 Choi ..... D11/155  
D913,344 S \* 3/2021 Choi ..... D15/79  
11,191,223 B2 \* 12/2021 Lee ..... A01G 31/06  
2008/0047209 A1 \* 2/2008 Hinterholzer ..... F25D 23/02  
220/592.02  
2016/0029574 A1 \* 2/2016 He ..... A01G 9/20  
47/66.5  
2017/0347547 A1 \* 12/2017 Lu ..... A01G 31/02  
2020/0260665 A1 \* 8/2020 Yi ..... A01G 27/005  
2022/0007599 A1 \* 1/2022 Lim ..... A01G 31/02

\* cited by examiner

FIG. 1

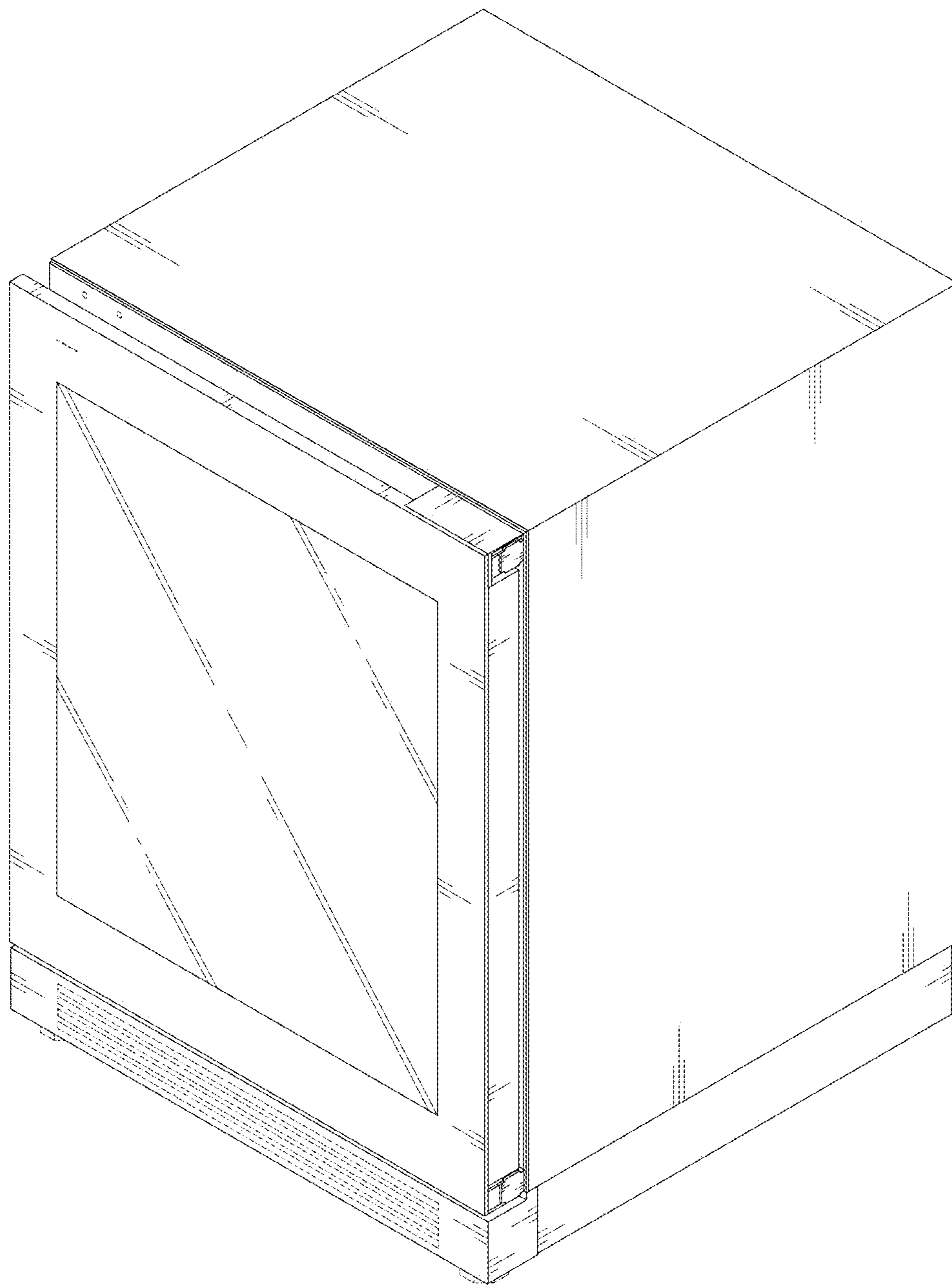


FIG. 2

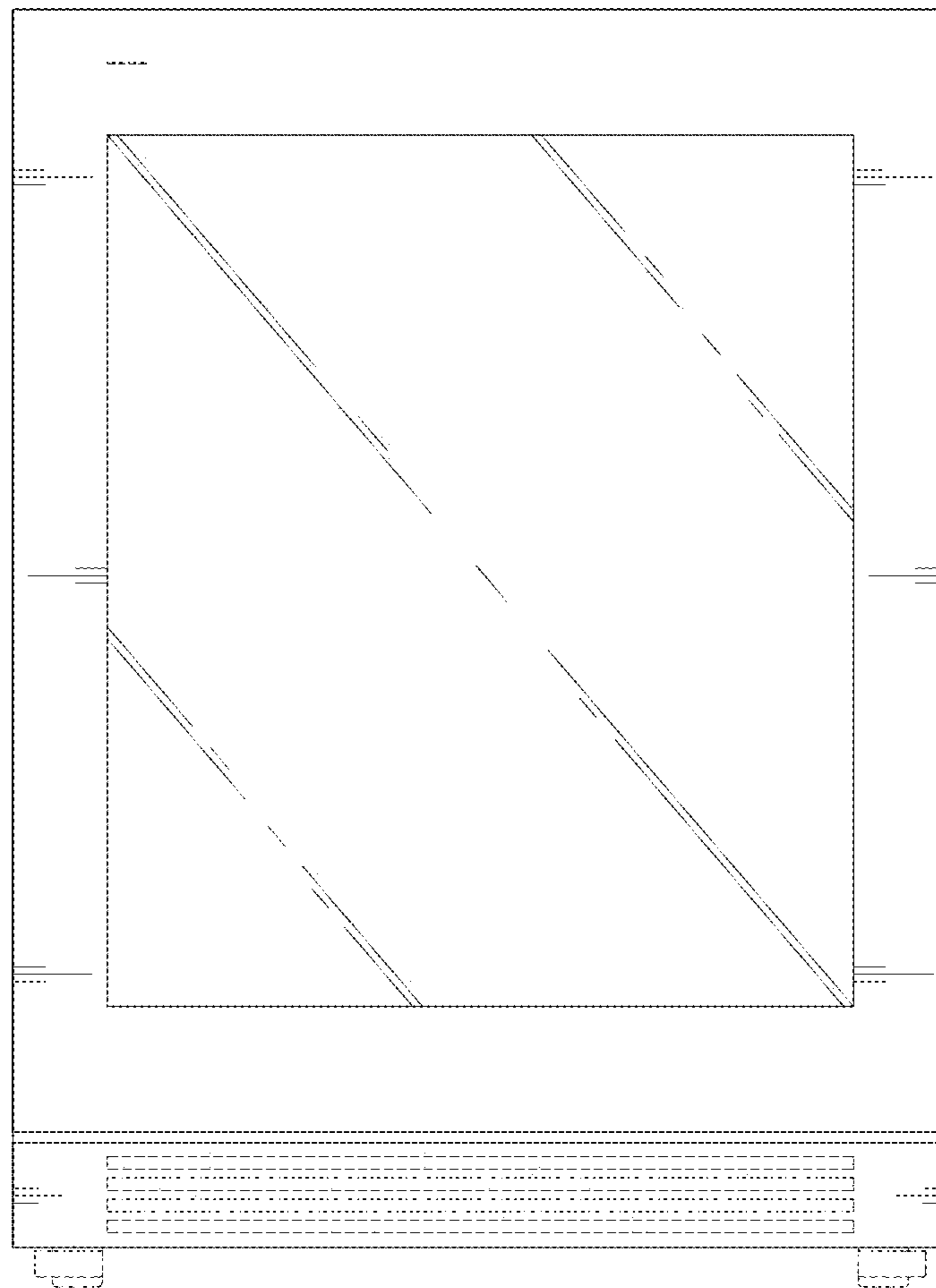


FIG. 3

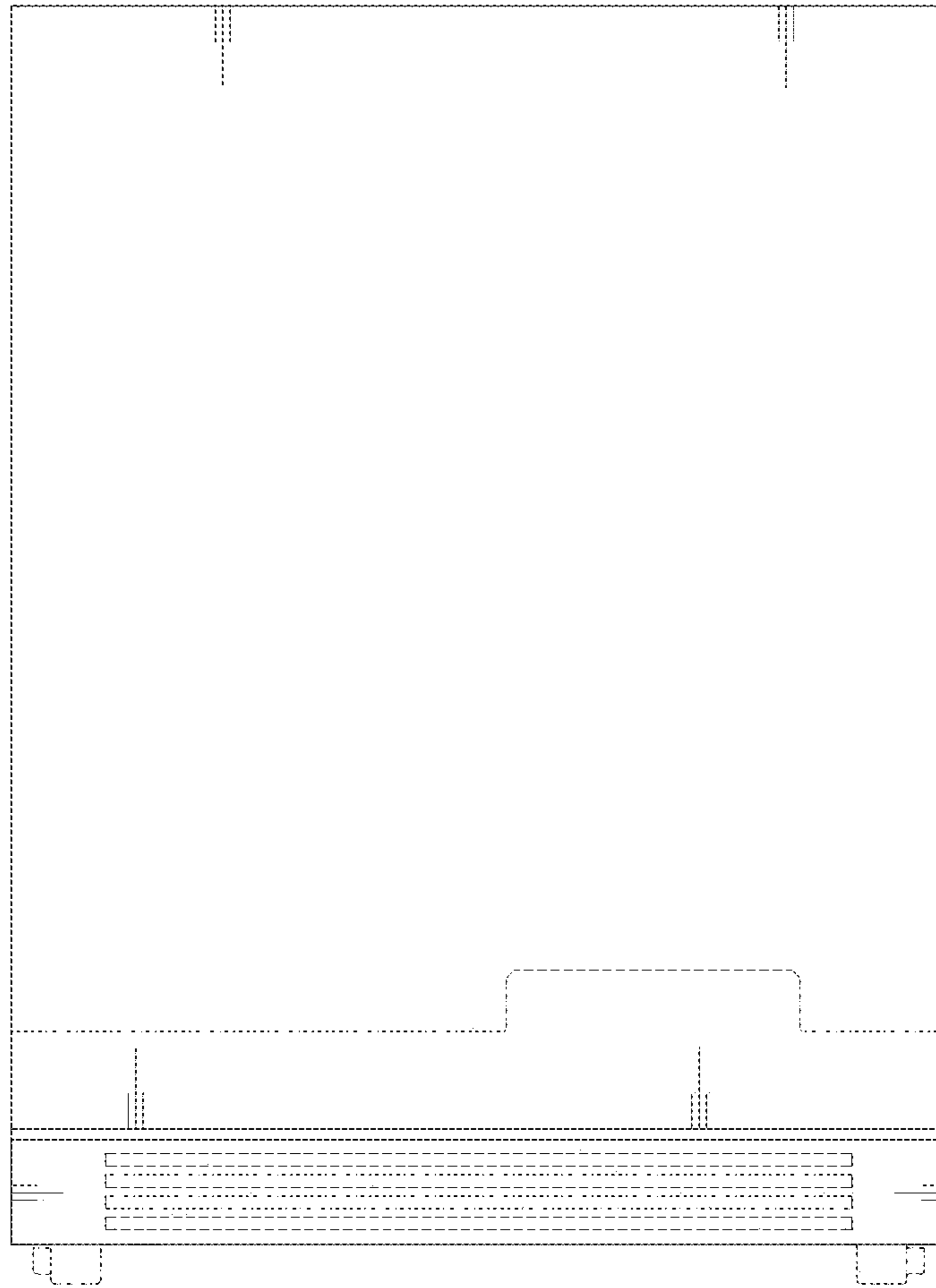


FIG. 4

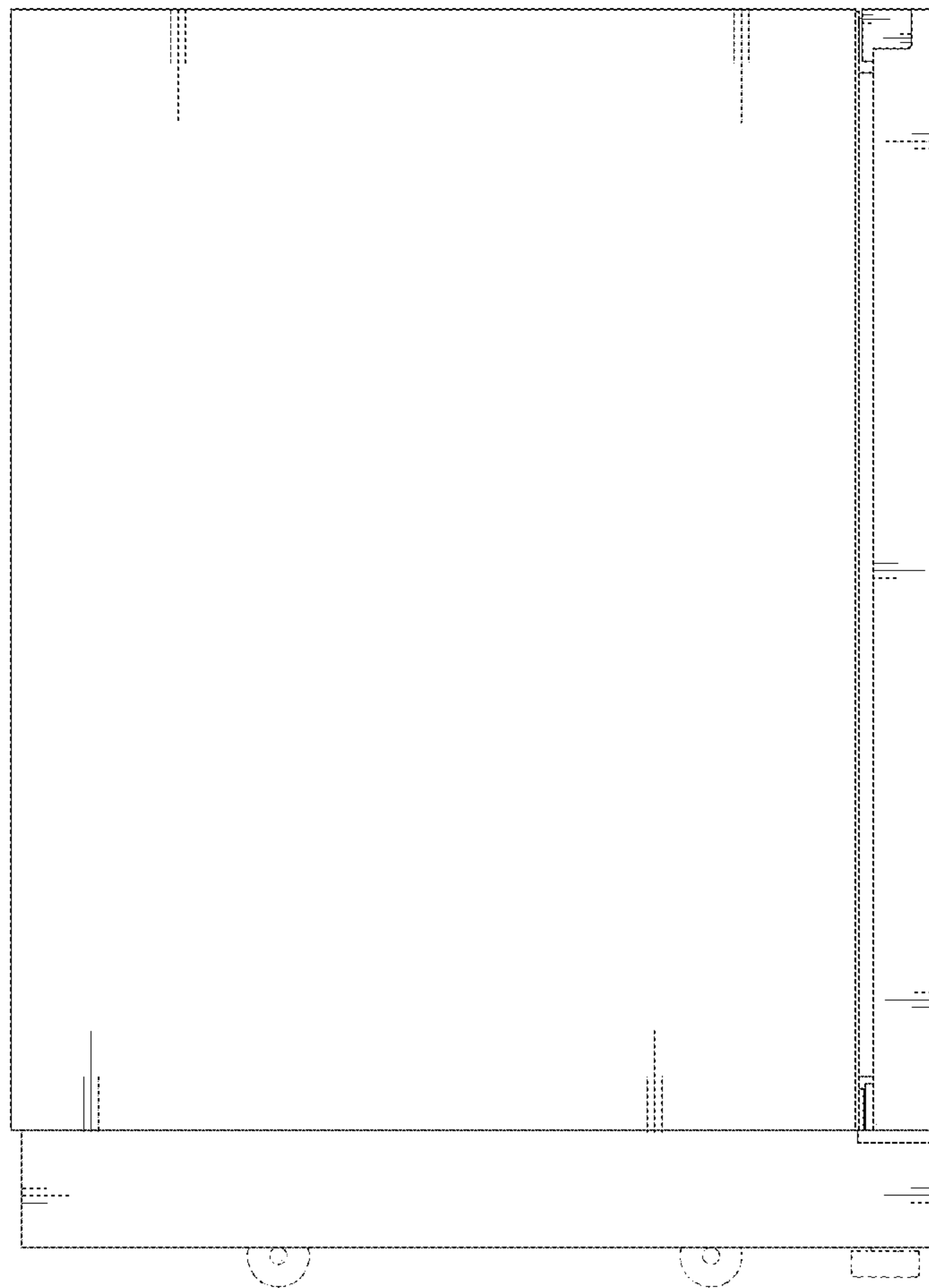


FIG. 5

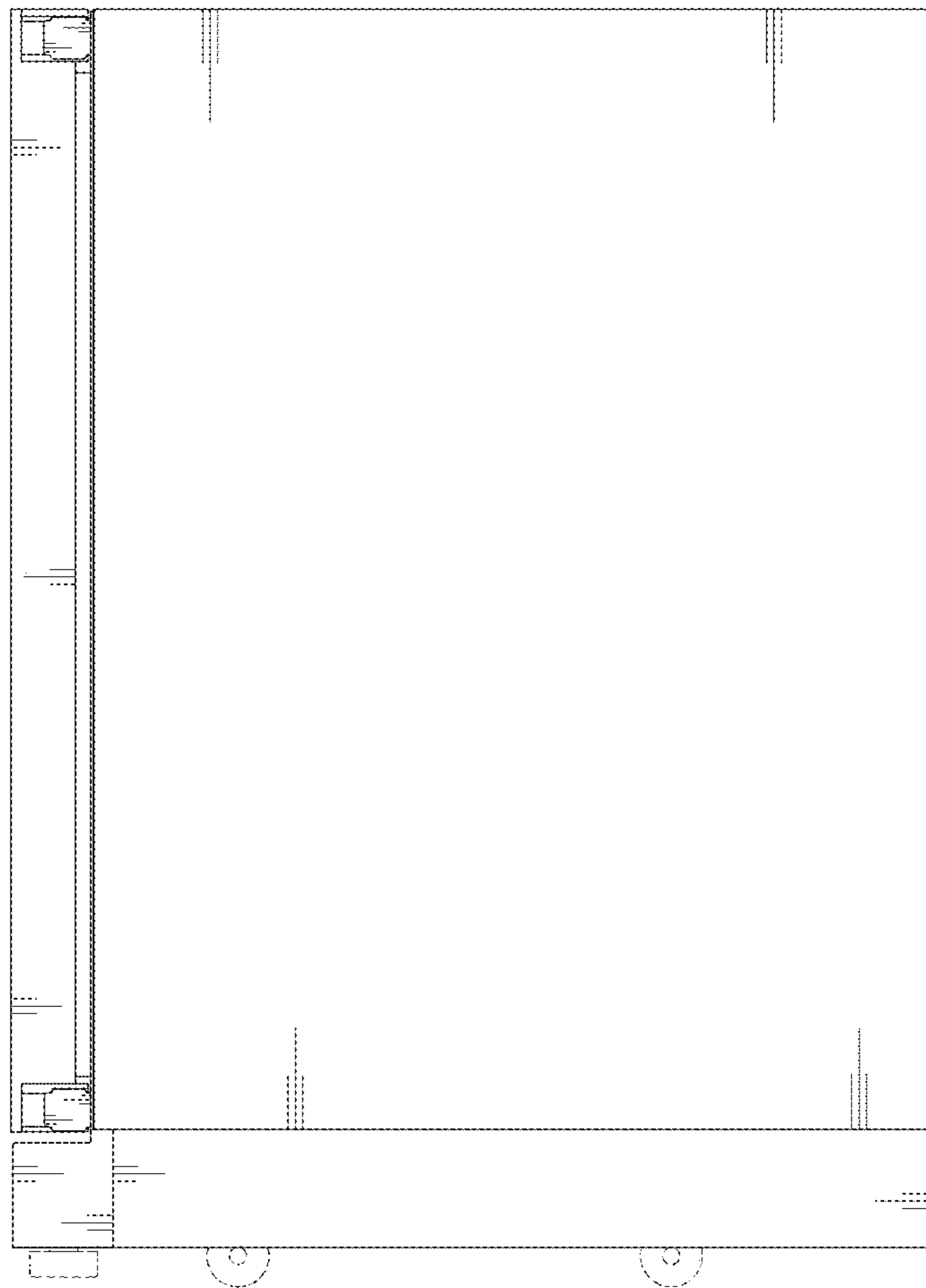


FIG. 6

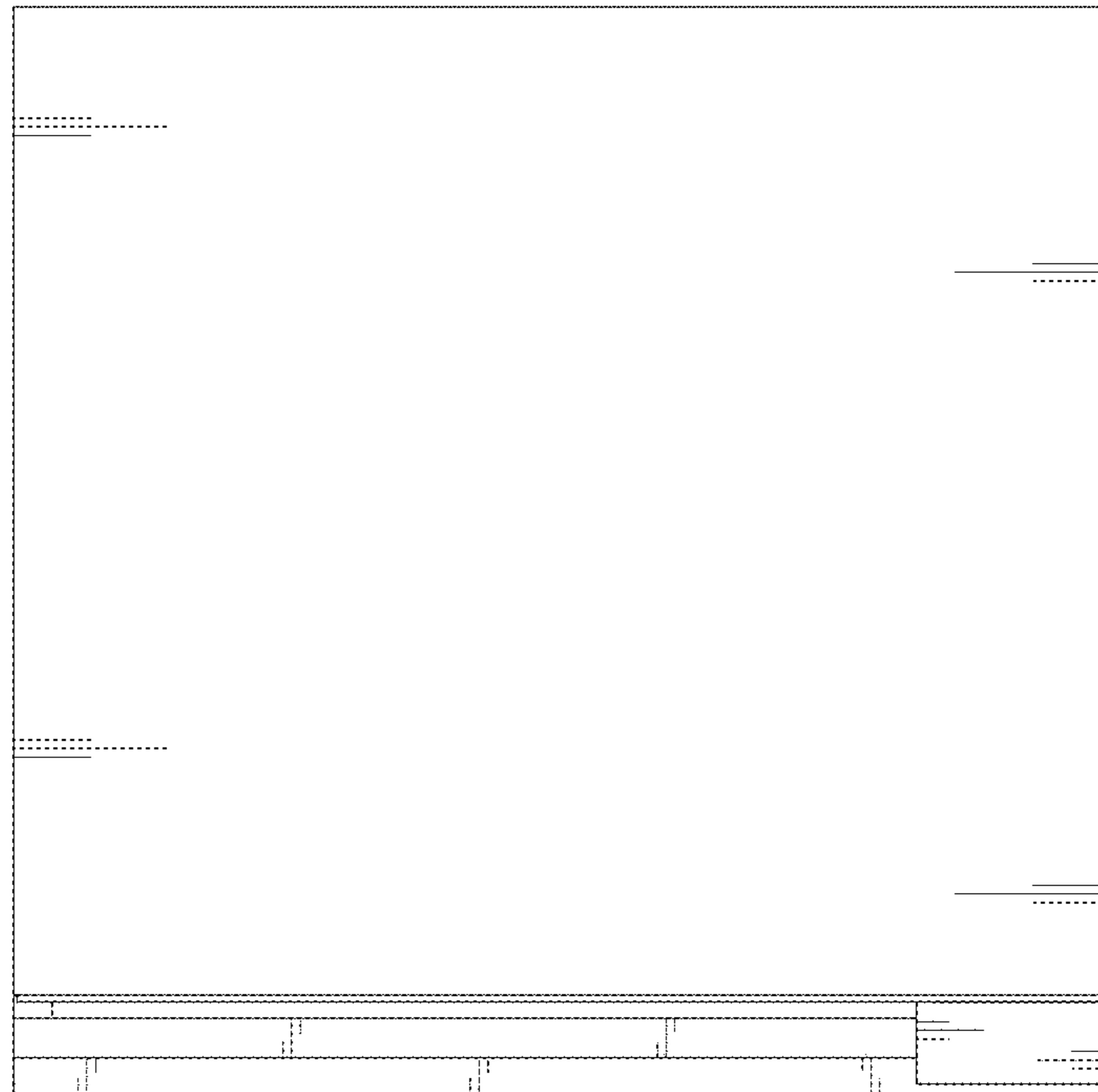




FIG. 7

